

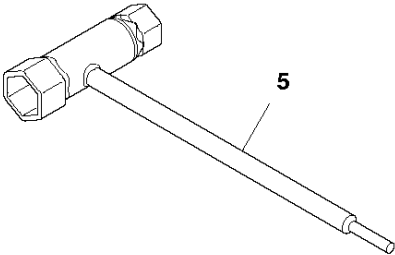
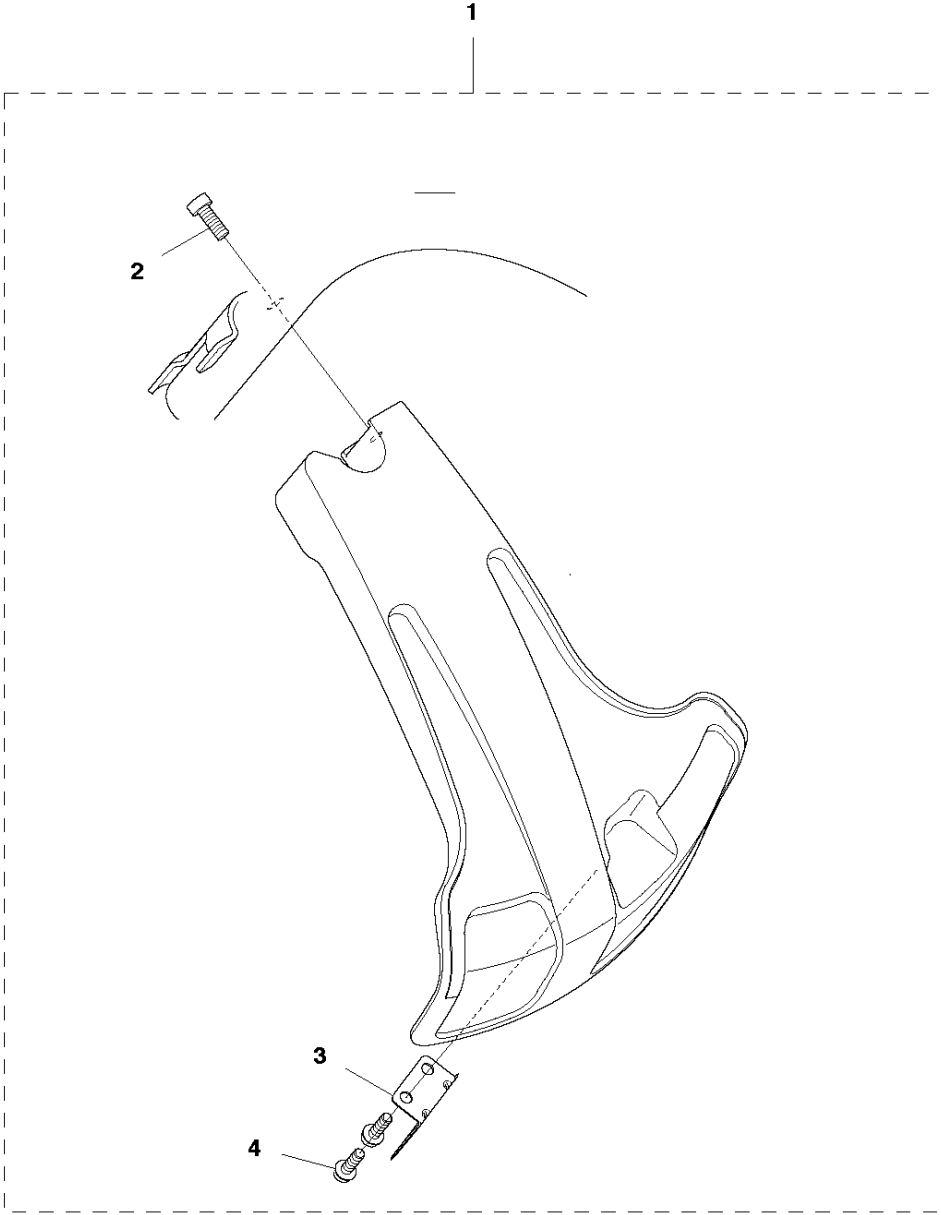


SPARE PARTS LIST

TRIMMERS/EDGERS

122 C 966 77 97-01, 966 71 27-01

M 122C
ACCESSORIES

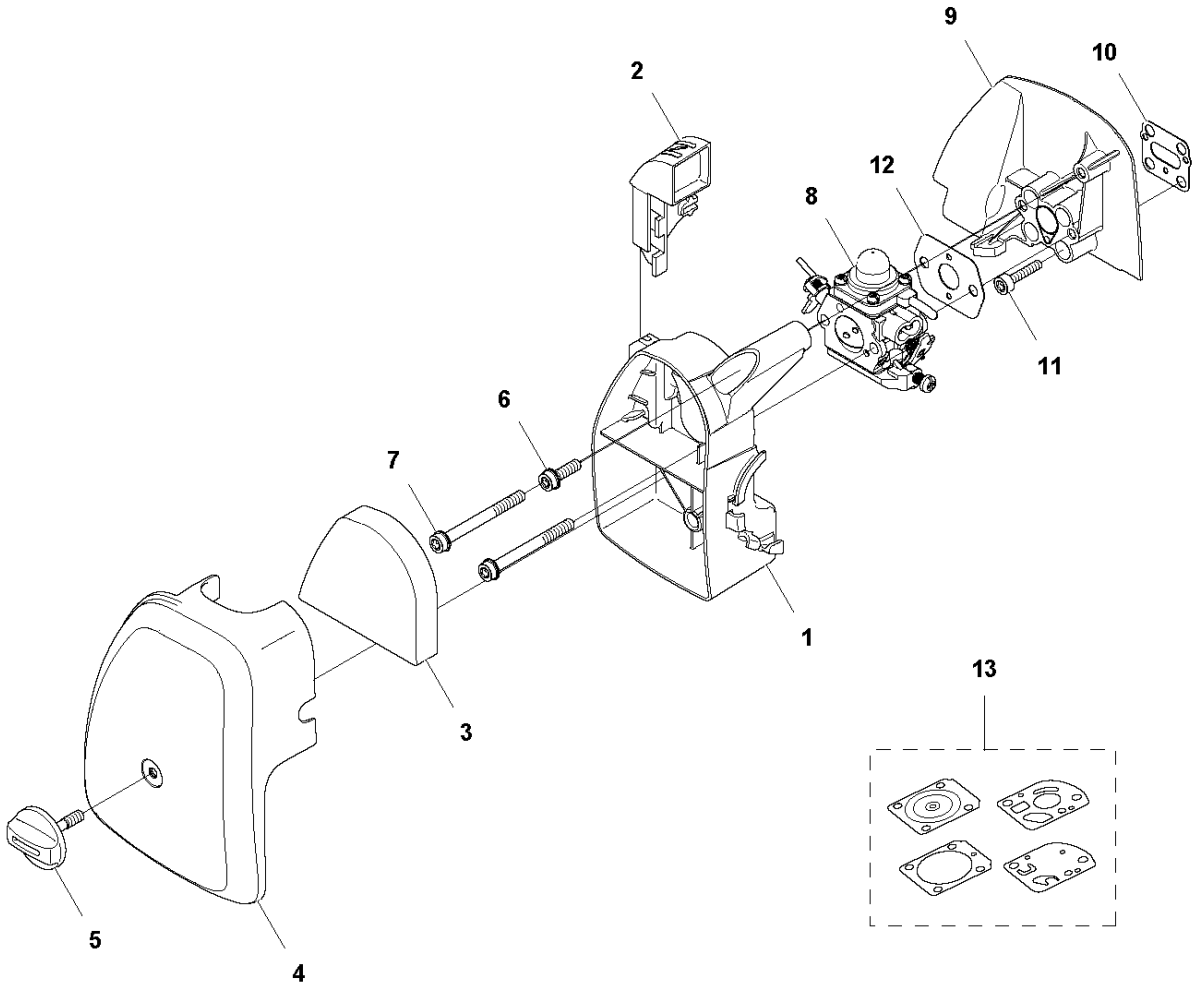


ACCESSORIES

122 C 966 77 97-01, 966 71 27-01

| Ref | Part No | Description | Remark | QTY | KIT |
|-----|--------------|--------------------|--------|-----|-----|
| 1 | 574 47 95-01 | TRIMMER GUARD | | 1 | |
| 2 | 522 75 19-01 | SCREW ITXSCFM | | 1 | 1 |
| 3 | 574 52 34-01 | KNIFE | | 1 | 1 |
| 4 | 573 92 58-01 | SCREW ITXSCFT | | 2 | 1 |
| 5 | 575 73 82-01 | COMBINATION WRENCH | | 1 | 1 |

F 122C
CARBURETOR & AIRFILTER

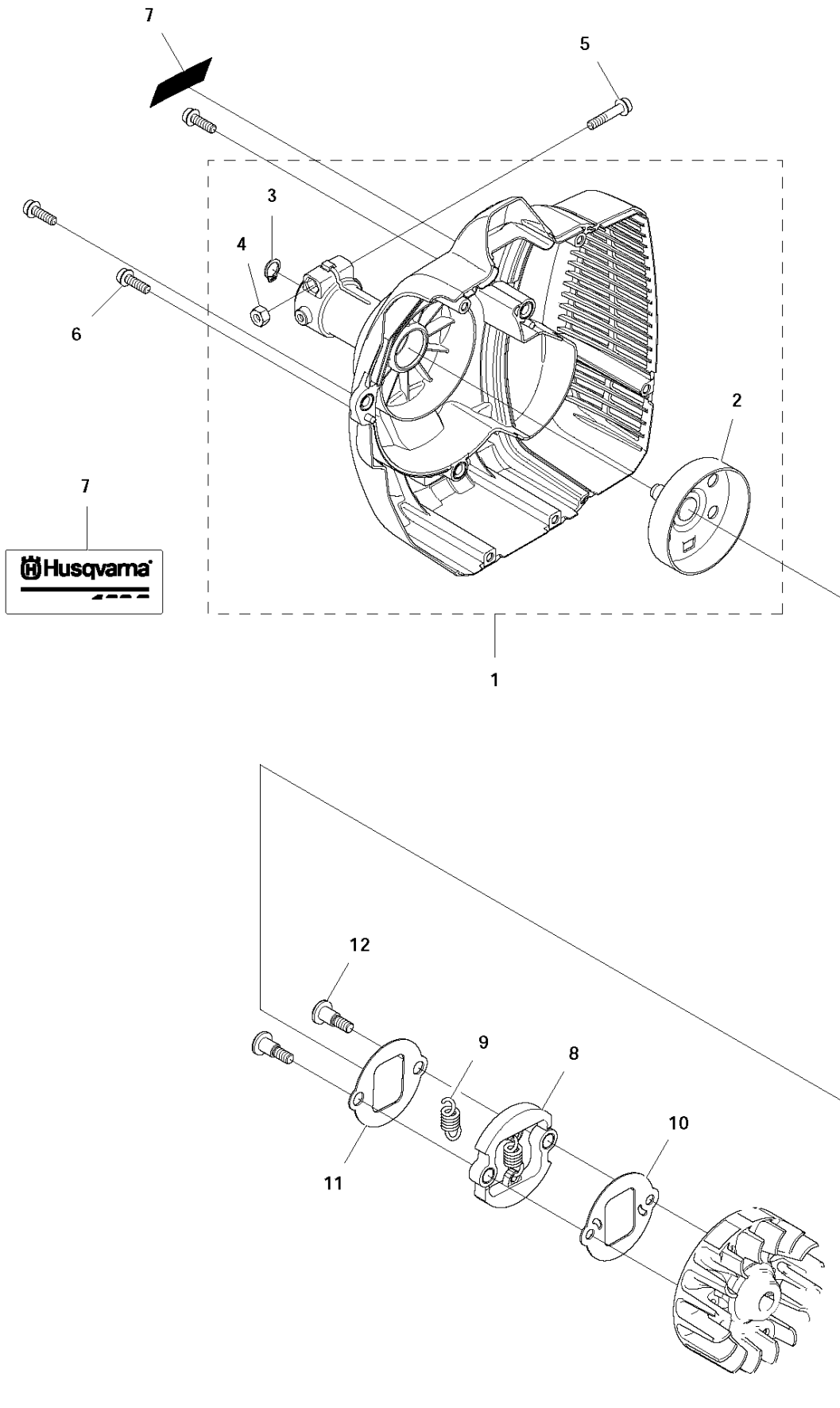


CARBURETOR & AIR FILTER

122 C 966 77 97-01, 966 71 27-01

| Ref | Part No | Description | Remark | QTY KIT |
|-----|--------------|--------------------|--------|---------|
| 1 | 576 88 73-01 | FILTER HOLDER ASSY | | 1 |
| 2 | 524 85 37-01 | CHOKE BUTTON | | 1 |
| 3 | 574 24 27-01 | AIR FILTER | | 1 |
| 4 | 524 85 38-01 | FILTER COVER | | 1 |
| 5 | 537 21 32-09 | KNOB | | 1 |
| 6 | 573 92 58-01 | SCREW ITXSCFT | | 1 |
| 7 | 573 92 58-02 | SCREW ITXSCFT | | 2 |
| 8 | 581 73 43-01 | CARBURETTOR | | 1 |
| 9 | 522 91 12-01 | INSULATION WALL | | 1 |
| 10 | 522 91 85-01 | GASKET | | 1 |
| 11 | 525 76 09-04 | SCREW ITXSCM | | 4 |
| 12 | 525 54 85-01 | GASKET | | 1 |
| 13 | 588 98 60-01 | KIT | | 1 |

D 122C
CLUTCH

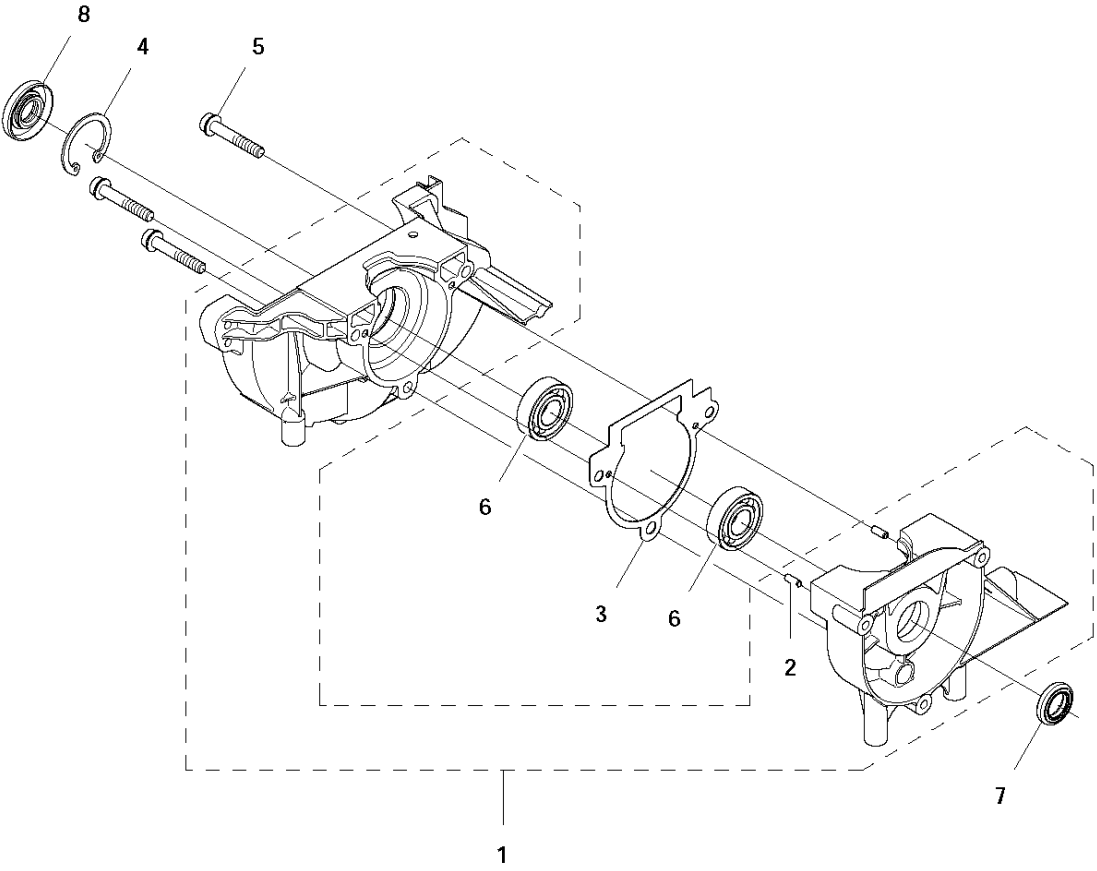


CLUTCH

122 C 966 77 97-01, 966 71 27-01

| Ref | Part No | Description | Remark | QTY | KIT |
|-----|--------------|-------------------|--------|-----|-----|
| 1 | 574 79 42-01 | CLUTCH COVER ASSY | | 1 | |
| 2 | 525 59 37-01 | CLUTCH DRUM ASSY | | 1 | 1 |
| 3 | 735 31 12-00 | CIRCLIP | | 1 | 1 |
| 4 | 731 23 14-01 | HEXAGON NUT | | 1 | 1 |
| 5 | 525 75 51-04 | SCREW ITXSCFM | | 1 | |
| 6 | 525 75 51-01 | SCREW ITXSCFM | | 3 | |
| 7 | 575 38 04-02 | DECAL | | 1 | |
| 8 | 537 03 22-01 | CLUTCH ASSY | | 1 | |
| 9 | 503 81 60-01 | CLUTCH SPRING | | 1 | 8 |
| 10 | 537 04 68-02 | WASHER | | 1 | |
| 11 | 537 04 67-02 | WASHER | | 1 | |
| 12 | 503 84 29-02 | SCREW | | 2 | |

L 122C
CRANKCASE

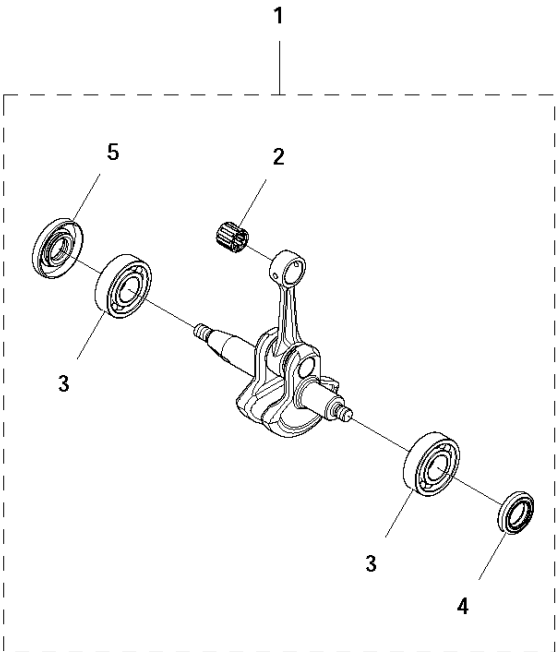


CRANKCASE

122 C 966 77 97-01, 966 71 27-01

| Ref | Part No | Description | Remark | QTY | KIT |
|-----|--------------|----------------|--------|-----|-----|
| 1 | 522 87 83-01 | CRANKCASE ASSY | | 1 | |
| 2 | 522 87 84-01 | PIN | | 2 | 1 |
| 3 | 522 91 83-01 | GASKET | | 1 | |
| 4 | 735 31 28-10 | CIRCLIP | | 1 | |
| 5 | 525 75 51-03 | SCREW ITXSCFM | | 3 | |
| 6 | 738 21 01-10 | BALL BEARING | | 2 | |
| 7 | 503 26 02-02 | SEALING RING | | 1 | |
| 8 | 574 48 20-01 | RADIAL SEAL | | 1 | |

K 122C
CRANK SHAFT



CRANKSHAFT

122 C 966 77 97-01, 966 71 27-01

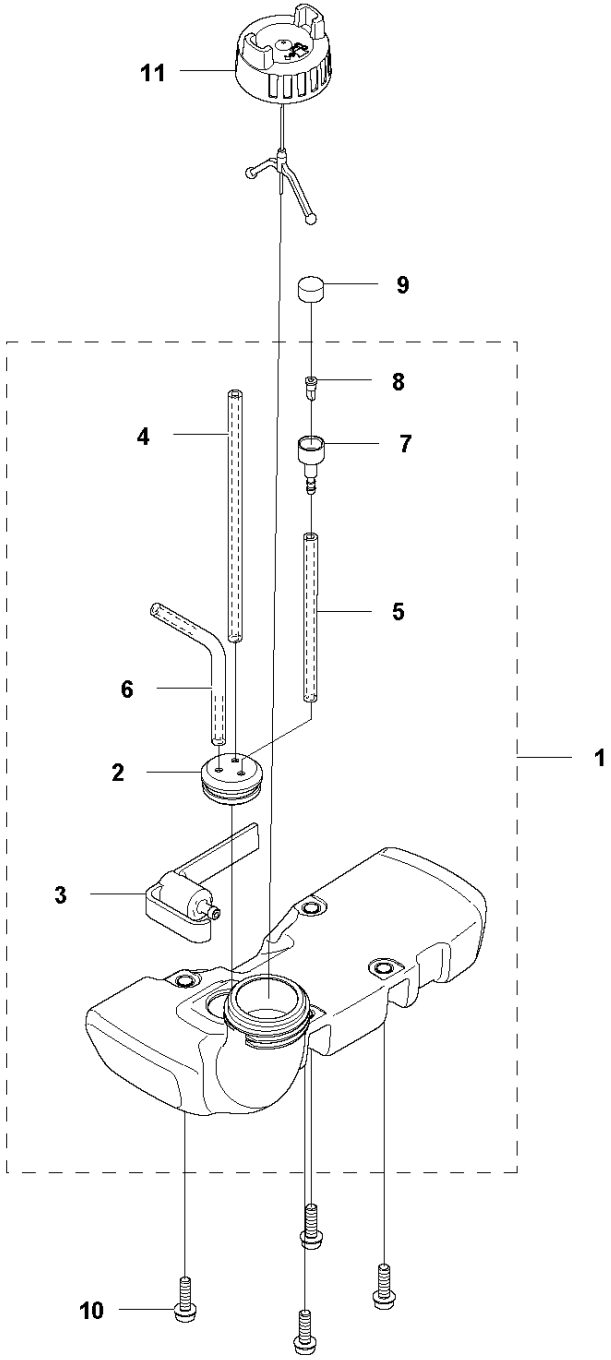
| Ref | Part No | Description | Remark | QTY | KIT |
|-----|--------------|----------------|--------|-----|-----|
| 1 | 577 38 05-01 | CRANKSHAFT | | 1 | |
| 2 | 575 50 49-01 | NEEDLE BEARING | | 1 | 1 |
| 3 | 738 21 01-10 | BALL BEARING | | 2 | 1 |
| 4 | 503 26 02-02 | SEALING RING | | 1 | 1 |
| 5 | 574 48 20-01 | RADIAL SEAL | | 1 | 1 |

CYLINDER PISTON

122 C 966 77 97-01, 966 71 27-01

| Ref | Part No | Description | Remark | QTY KIT | |
|-----|--------------|----------------|--------|---------|-----|
| 1 | 577 38 03-01 | CYLINDER | | | |
| 2 | 510 22 36-02 | PISTON ASSY | | 1 | 1 |
| 3 | 505 15 58-01 | PISTON RING | | 1 | 1,2 |
| 4 | 737 44 08-00 | CIRCLIP | | 2 | 1,2 |
| 5 | 525 57 77-01 | WASHER | | 2 | 1,2 |
| 6 | 575 50 49-01 | NEEDLE BEARING | | 1 | 1,2 |
| 7 | 525 75 51-02 | SCREW ITXSCFM | | 2 | |
| 8 | 522 91 84-01 | GASKET | | 1 | |
| 9 | 522 99 74-01 | AIR CONDUCTOR | | 1 | |

C 122C
FUEL TANK

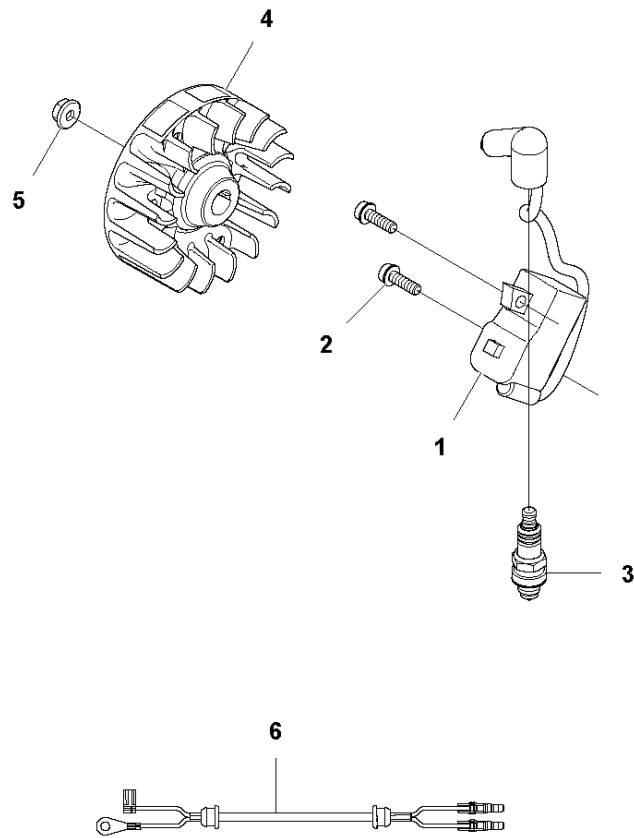


FUEL TANK

122 C 966 77 97-01, 966 71 27-01

| Ref | Part No | Description | Remark | QTY | KIT |
|-----|--------------|---------------|--------|-----|-----|
| 1 | 577 04 48-01 | FUEL TANK | | 1 | |
| 2 | 574 26 30-01 | GROMMET | | 1 | 1 |
| 3 | 574 60 39-01 | FUEL FILTER | | 1 | 1 |
| 4 | 574 60 02-02 | HOSE | 150mm | 1 | 1 |
| 5 | 574 60 01-01 | HOSE | 155mm | 1 | 1 |
| 6 | 578 97 56-03 | FUEL HOSE | 225mm | 1 | 1 |
| 7 | 575 48 44-01 | VALVE HOUSING | | 1 | 1 |
| 8 | 575 48 45-01 | VALVE NIPPLE | | 1 | 1 |
| 9 | 575 48 46-01 | FILTER | | 1 | |
| 10 | 525 75 51-01 | SCREW ITXSCFM | | 4 | |
| 11 | 544 88 97-01 | TANK CAP | | 1 | |

H 122C
IGNITION SYSTEM

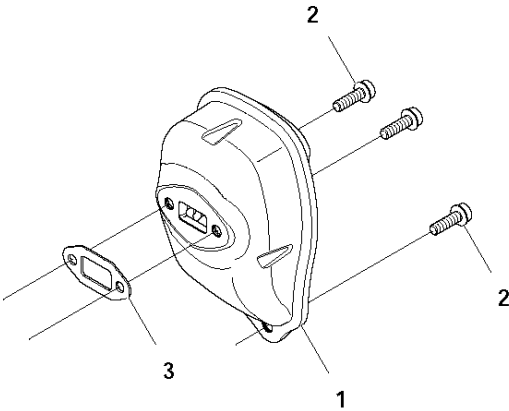


IGNITION SYSTEM

122 C 966 77 97-01, 966 71 27-01

| Ref | Part No | Description | Remark | QTY KIT |
|-----|--------------|---------------------|--------|---------|
| 1 | 574 37 55-01 | IGNITION MODULE | | 1 |
| 2 | 525 75 51-01 | SCREW ITXSCFM | | 2 |
| 3 | 590 71 02-01 | SPARK PLUG | | 1 |
| 4 | 537 24 96-02 | FLYWHEEL | | 1 |
| 5 | 731 71 16-51 | HEXAGON NUT FLANGE | | 1 |
| 6 | 574 48 89-01 | SHORT CIRCUIT CABLE | | 1 |

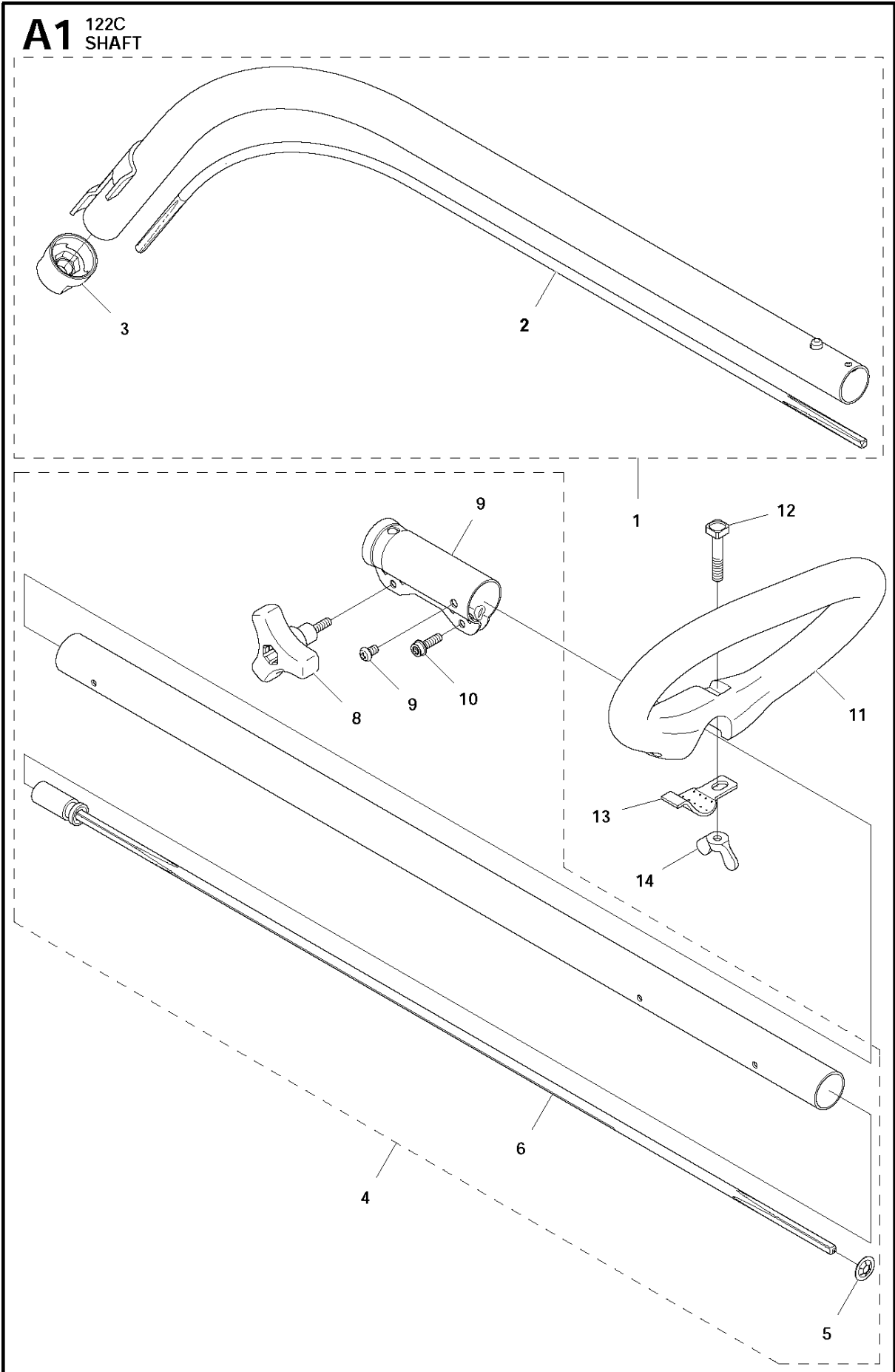
E 122C
MUFFLER



MUFFLER

122 C 966 77 97-01, 966 71 27-01

| Ref | Part No | Description | Remark | QTY KIT |
|-----|--------------|---------------|--------|---------|
| 1 | 523 01 16-01 | MUFFLER ASSY | | 1 |
| 2 | 525 75 51-01 | SCREW ITXSCFM | | 3 |
| 3 | 522 99 73-01 | GASKET | | 1 |

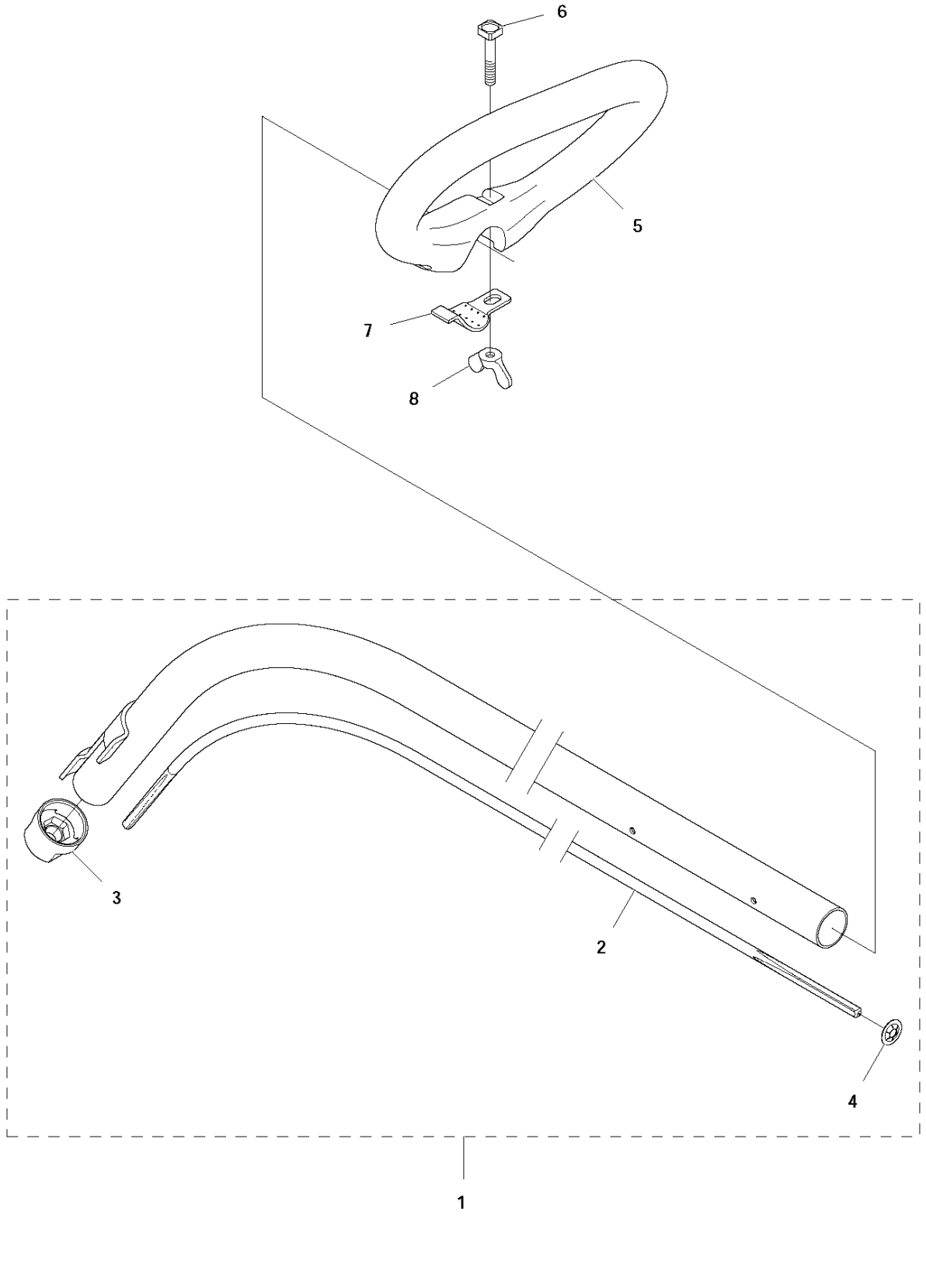


SHAFT

122 C 966 77 97-01, 966 71 27-01

| Ref | Part No | Description | Remark | QTY | KIT |
|-----|--------------|---------------|--------|-----|-----|
| 1 | 574 41 90-01 | SHAFT ASSY | | 1 | |
| 2 | 574 31 64-03 | DRIVE SHAFT | | 1 | 1 |
| 3 | 574 41 83-01 | DRIVER | | 1 | 1 |
| 4 | 574 36 51-01 | TUBE | | 1 | |
| 5 | 574 36 79-01 | LOCKWASHER | | 1 | 4 |
| 6 | 577 38 08-01 | DRIVE SHAFT | | 1 | 4 |
| 7 | 574 32 77-01 | CLAMP | | 1 | 4 |
| 8 | 574 32 22-01 | KNOB | | 1 | 4 |
| 9 | 574 45 13-01 | SCREW CRPANM | | 1 | 4 |
| 10 | 525 75 51-01 | SCREW ITXSCFM | | 1 | 4 |
| 11 | 574 29 02-01 | HANDLE | | 1 | |
| 12 | 577 24 50-01 | SCREW | | 1 | |
| 13 | 574 29 04-01 | CLAMP | | 1 | |
| 14 | 577 24 49-01 | WING NUT | | 1 | |

A2 122C US
SHAFT

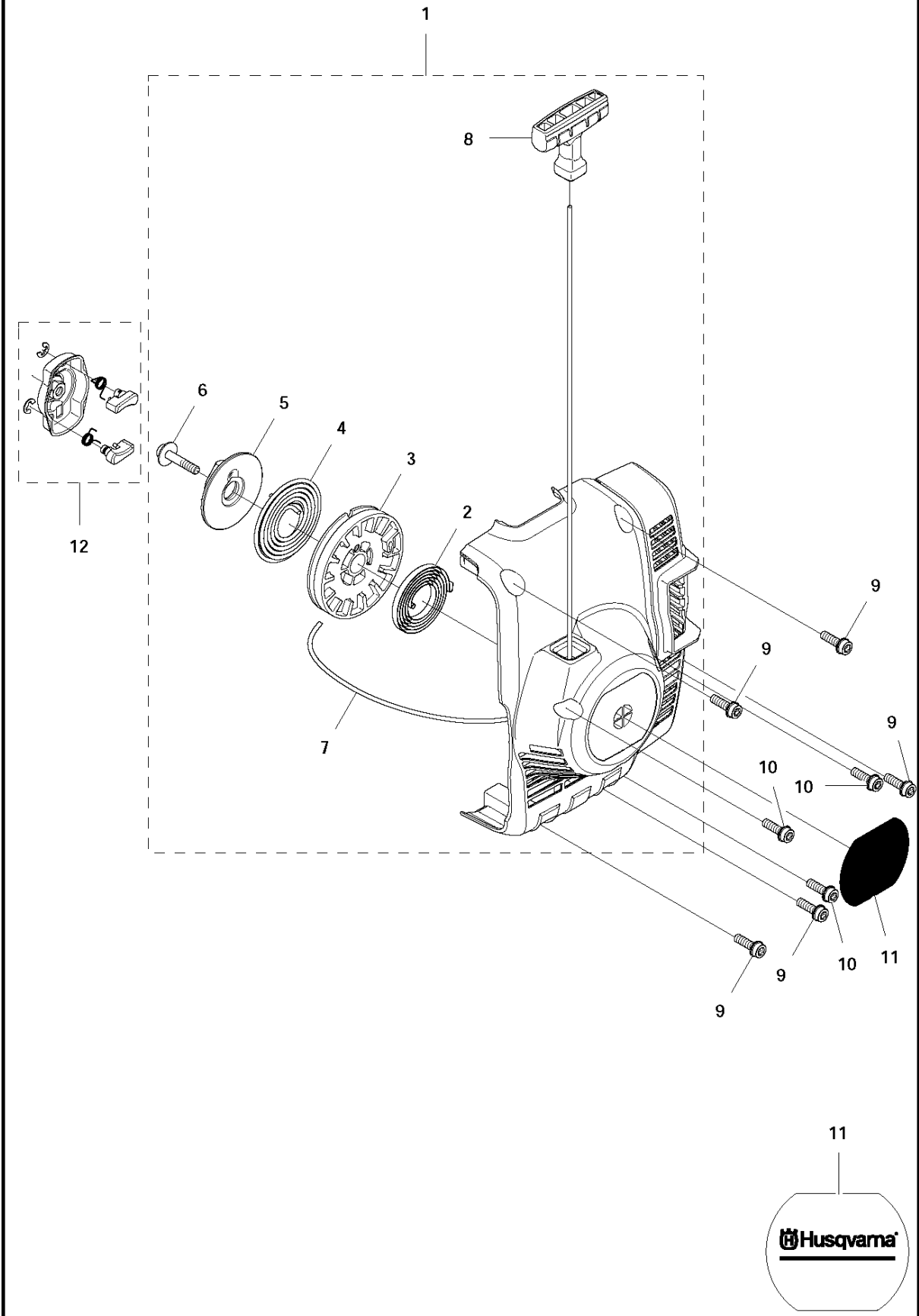


SHAFT

122 C 966 77 97-01, 966 71 27-01

| Ref | Part No | Description | Remark | QTY | KIT |
|-----|--------------|-------------|--------|-----|-----|
| 1 | 576 97 73-01 | SHAFT ASSY | US | 1 | |
| 2 | 574 31 64-04 | DRIVE SHAFT | US | 1 | 1 |
| 3 | 574 41 83-01 | DRIVER | | 1 | 1 |
| 4 | 574 36 79-01 | LOCKWASHER | | 1 | 1 |
| 5 | 574 29 02-01 | HANDLE | | 1 | |
| 6 | 577 24 50-01 | SCREW | | 1 | |
| 7 | 574 29 04-01 | CLAMP | | 1 | |
| 8 | 577 24 49-01 | WING NUT | | 1 | |

G 122C
STARTER

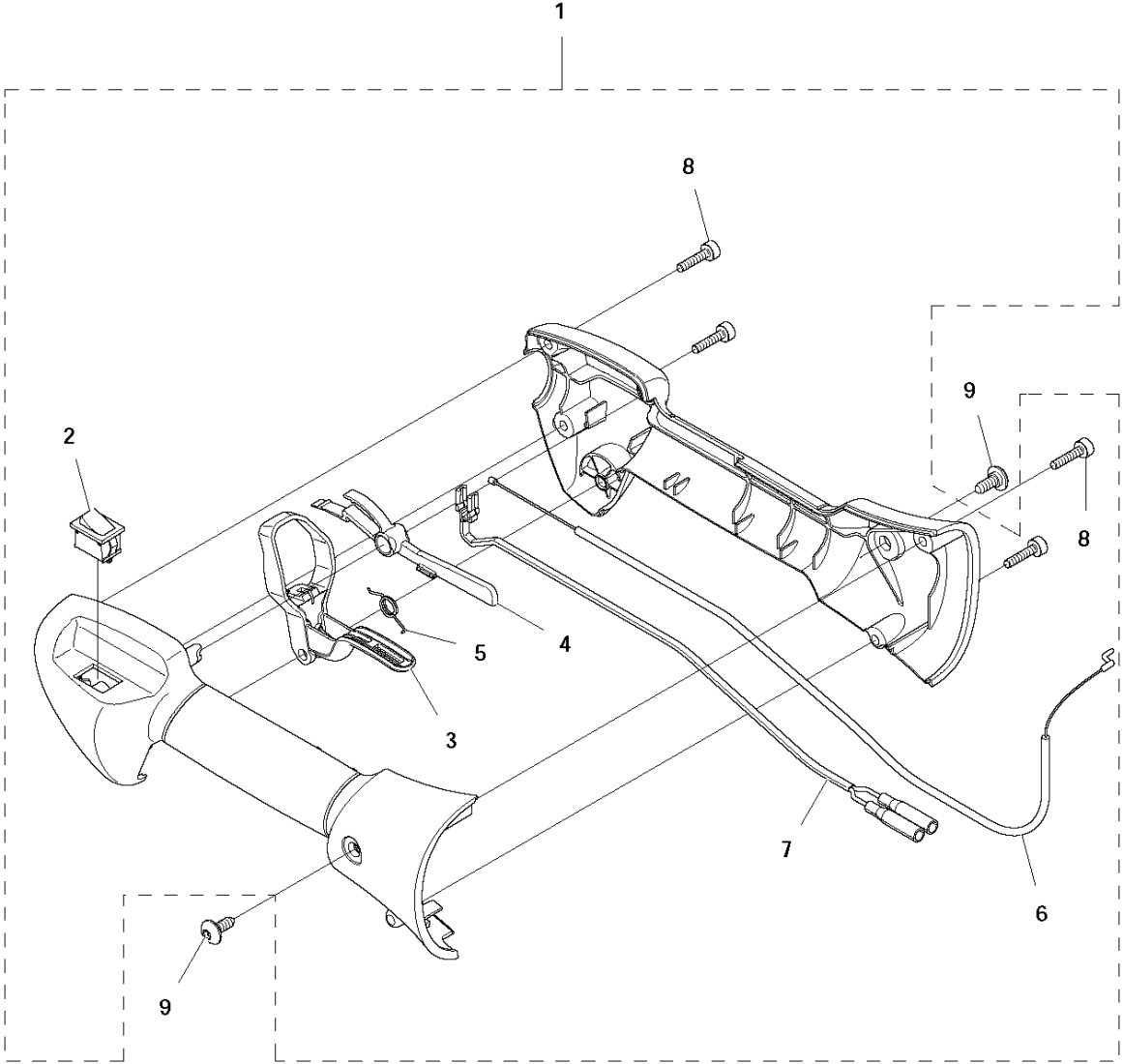


STARTER

122 C 966 77 97-01, 966 71 27-01

| Ref | Part No | Description | Remark | QTY | KIT |
|-----|--------------|----------------|--------|-----|-----|
| 1 | 574 48 74-01 | STARTER ASSY | | 1 | |
| 2 | 525 83 83-01 | SPRING | | 1 | 1 |
| 3 | 525 59 38-01 | STARTER PULLEY | | 1 | 1 |
| 4 | 525 59 40-01 | SPRING | | 1 | 1 |
| 5 | 525 59 39-01 | DRIVER | | 1 | 1 |
| 6 | 577 22 61-03 | SCREW ITXSCT | | 1 | 1 |
| 7 | 574 28 69-01 | STARTER CORD | | 1 | 1 |
| 8 | 574 26 87-01 | STARTER HANDLE | | 1 | 1 |
| 9 | 573 92 58-01 | SCREW ITXSCT | | 5 | |
| 10 | 525 75 51-01 | SCREW ITXSCTFM | | 3 | |
| 11 | 575 35 41-01 | DECAL | | 1 | |
| 12 | 503 87 33-05 | BRIDGE | | 1 | |

B 122C
THROTTLE CONTROLS



THROTTLE CONTROLS

122 C 966 77 97-01, 966 71 27-01

| Ref | Part No | Description | Remark | QTY | KIT |
|-----|--------------|---------------------|--------|-----|-----|
| 1 | 574 19 30-01 | HANDLE ASSY | | 1 | |
| 2 | 575 31 58-01 | STOP SWITCH | | 1 | 1 |
| 3 | 574 19 25-01 | TRIGGER | | 1 | 1 |
| 4 | 574 19 24-01 | THROTTLE LOCKOUT | | 1 | 1 |
| 5 | 576 85 17-01 | SPRING | | 1 | 1 |
| 6 | 574 48 90-01 | THROTTLE ASSY | | 1 | 1 |
| 7 | 574 48 88-03 | SHORT CIRCUIT CABLE | | 1 | 1 |
| 8 | 574 44 40-01 | SCREW ITXSCT | | 4 | 1 |
| 9 | 503 96 13-01 | SCREW | | 2 | |