

TANK MOUNT ADAPTOR

PRODUCT INFO



Description

For mounting of float valve in tank with garden hose or pipe connection.
Makes for easy installation of 3/4" float valves into tanks and troughs.



Intertek
5002993
Conforms to NSF/ANSI STD 372



Code: ADF210

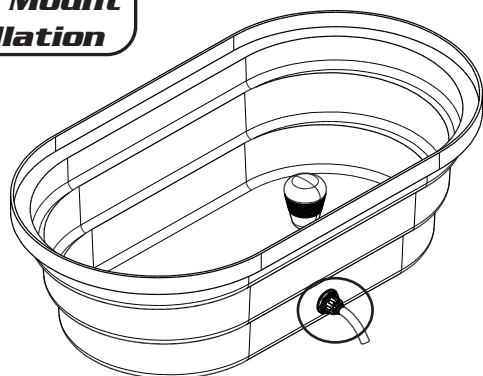
Features

- TankMount fits through Rubbermaid 2" drain hole
- Easily adapts to most Poly and Galvanised tanks
- Offset 3/4" inlet gives added float valve clearance from tank bottom
- Connects 3/4" float valve in tank to Garden hose or 1" pipe.
- Tough UV reinforced nylon material construction
- Quality Nitrile Seals
- Max Pressure rating 150 psi
- 3/4" FNPT - 3/4" FGHT & 1" MNPT

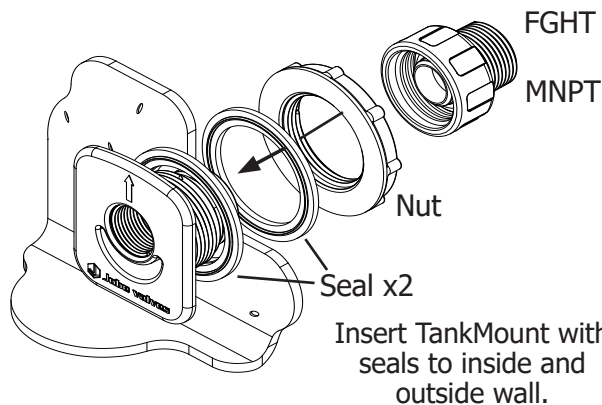
Applications

- Agriculture
- Home
- Industrial

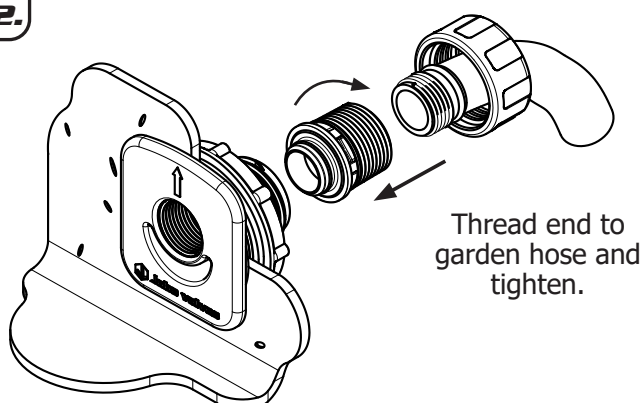
Tank Mount Installation



1.



2.



3.

