



The limited warranty set forth below is given with respect to new merchandise purchased and used in the United States, its possessions and territories.

Warranties the product(s) listed against defects in material and workmanship, and will at our option, repair or replace, free of charge, any part found to be defective in materials or workmanship. This limited warranty shall only apply if this product has been assembled, operated, and maintained in accordance with the owner's manual furnished with the product, and has not been subject to misuse, abuse, neglect, accident, improper maintenance, alteration, vandalism, theft, fire, water, or damage because of other peril or natural disaster.

Normal wear parts or components thereof are subject to separate terms as follows: All normal wear parts or component failures will be covered on the product for a period of one year. Parts found to be defective within the warranty period will be replaced at our expense. Our obligation under this warranty is expressly limited to the replacement or repair, at our option, of parts found to be defective in material and workmanship.

Contacting Service

Warranty parts replacements are available, only with **Proof of Purchase**, through our Customer Service Department. Call **1 (888) 376-9601**

This limited warranty does not provide coverage in the following cases:

1. Routine maintenance items such as lubricants and filters.
2. Normal deterioration of the exterior finish due to use or exposure.
3. Transportation and/or labor charges.

No implied warranty, including any implied warranty of merchantability of fitness for a particular purpose, applies after the applicable period of express written warranty above as to the part as identified below. No other express warranty whether written or oral, except as mentioned above, given by any person or entity, including a dealer or retailer, with respect to any product, shall bind maker of this product. During the period of the warranty, the exclusive remedy is repair or replacement of the product as set forth above.

The provisions as set forth in this warranty provide the sole and exclusive remedy arising from the sale.

We will not be liable for incidental or consequential loss

or damage including, without limitation, expenses incurred for substitute or replacement lawn care services or for rental expenses to temporarily replace a warranted product.

Some states do not allow the exclusion or limitation of incidental or consequential damages, or limitations on how long an implied warranty lasts, so the above exclusions or limitations may not apply to you.

During the warranty period, the exclusive remedy is replacement of the part. In no event shall recovery of any kind be greater than the amount of the purchase price of the product sold. Alteration of safety features of the product shall void this warranty. You assume the risk and liability for loss, damage, or injury to you and your property and/or to others and their property arising out of the misuse or inability to use this product.

This limited warranty shall not extend to anyone other than the original purchaser or to the person for whom it was purchased as a gift.

Local Law to this Warranty

This limited warranty gives you specific legal rights, and you may also have other rights which vary from state to state.

Warranty Period

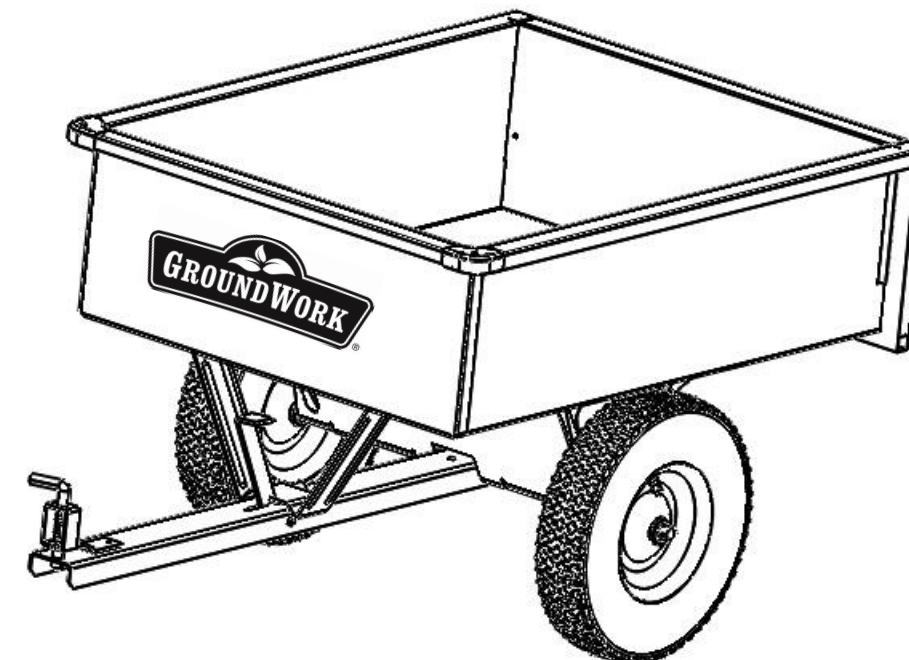
The Warranty period stated below begins with the **Proof of Purchase**. Without the proof of purchase, the Warranty period begins from the date of manufacture.

Trailer Dump Cart Warranty Period

The warranty period for this unit is as follows: All part are cover one year from date of sale.



Owner's Manual | LC1003TBL | Dump Cart | Sku# 1344279



Manual Contents

Safety Instructions	2
Hardware.....	3
Assembly.....	4-7
Operation.....	6
Maintenance	6
Warranty.....	8

Your New Trailer Dump Cart

Congratulations on your purchase of a new GroundWork Trailer Dump Cart. Your Trailer Dump Cart has been engineered and built to give you the most dependable and best performing product possible.

If you experience any problem you can not easily resolve, please feel free to contact our knowledgeable and helpful customer service department toll-free at **1 (888) 376-9601**.

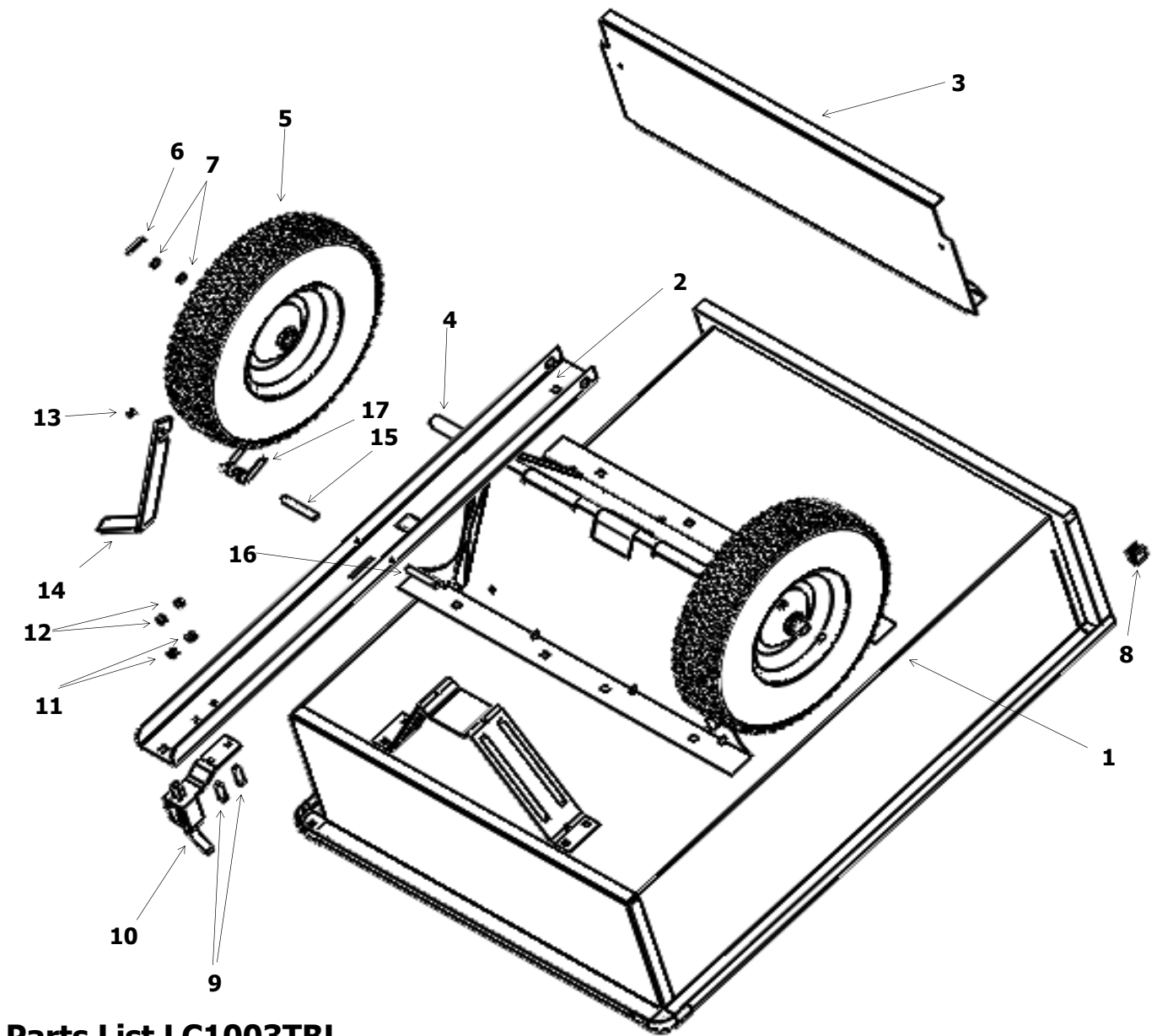
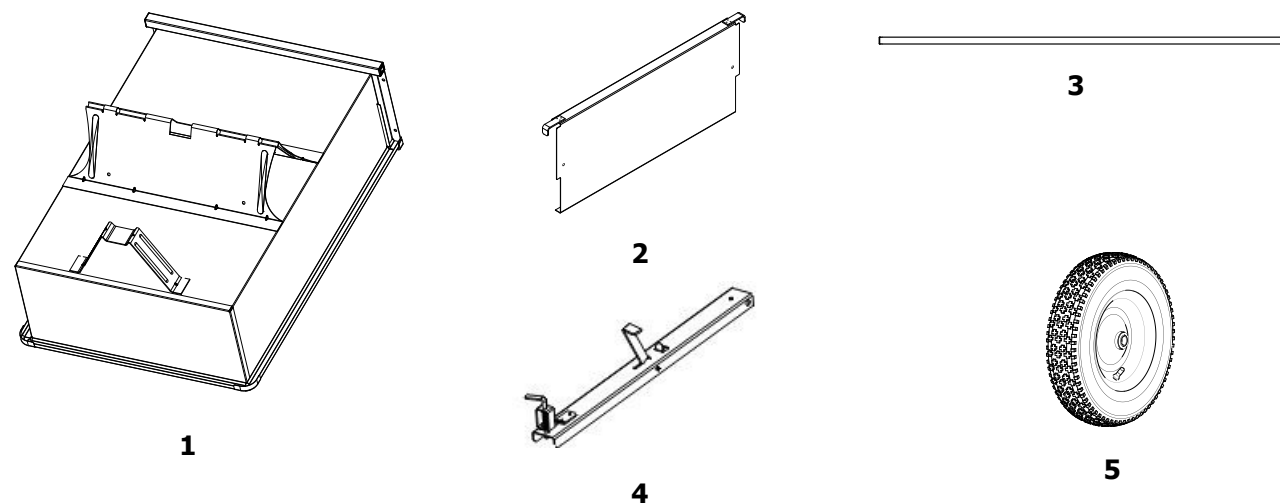
Caution: Carefully read all rules and instructions for safe operation.

! Rules for Safe Operation

The following safety precautions are suggested. This Trailer Dump Cart is designed, engineered and tested to offer reasonably safe and effective service, provided that it is operated in strict accordance with these instructions. Failure to do so may result in personal injury. Always observe the rules of safe operation. Please read and retain this manual.

- Read and understand your tractor's owner's manual and towing safety rules, know how to operate you tractor before using any attachment.
- Do not allow anyone to ride or sit on tow behind equipment during operation.
- Be alert for holes in the terrain and other hazards. This could cause you to lose control of the cart and lawn tractor.
- Follow maintenance and lubrication instructions as outlined in this manual.
- Tractor braking and stability may be affected with the attachment of this unit. Be aware of changing conditions on slopes. Refer to safety rules in your tractor owner's manual concerning safe operation on slopes. **Stay Off Steep Slopes.**
- Always operate up and down a slope, never across the face of a slope.
- Do not drive close to creeks, ditches or public highways.
- Always wear substantial footwear. Do not wear loose fitting clothing that may get caught in moving parts.
- Avoid extremely sharp turns.
- Follow the maintenance instructions as outlined in this owner's manual.
- Do not exceed maximum towing speed of 4 M.P.H.
- Maximum Carrying Capacity 750 Lbs.
- **Warning of danger of improper use of the Trailer Dump Cart.** This unit is intended for use only with Riding Mowers or Garden Tractors. It is definitely not for Highway use, being pulled at high speeds, or transporting passenger(s) of any sort. Such use could result in injuries for which we cannot be held responsible.

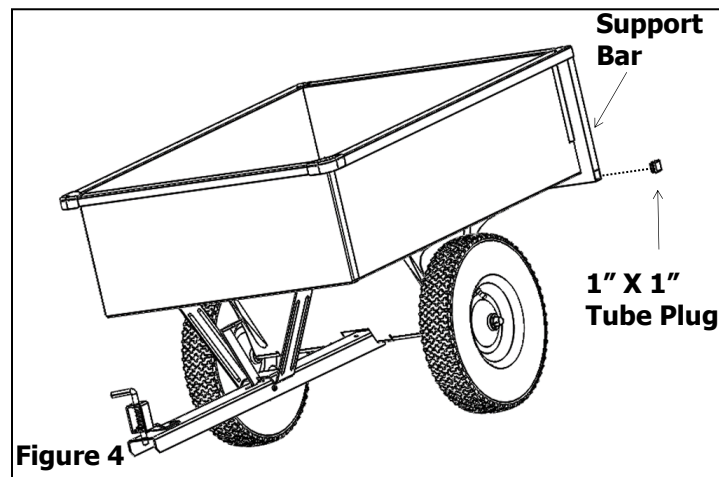
Carton Contents



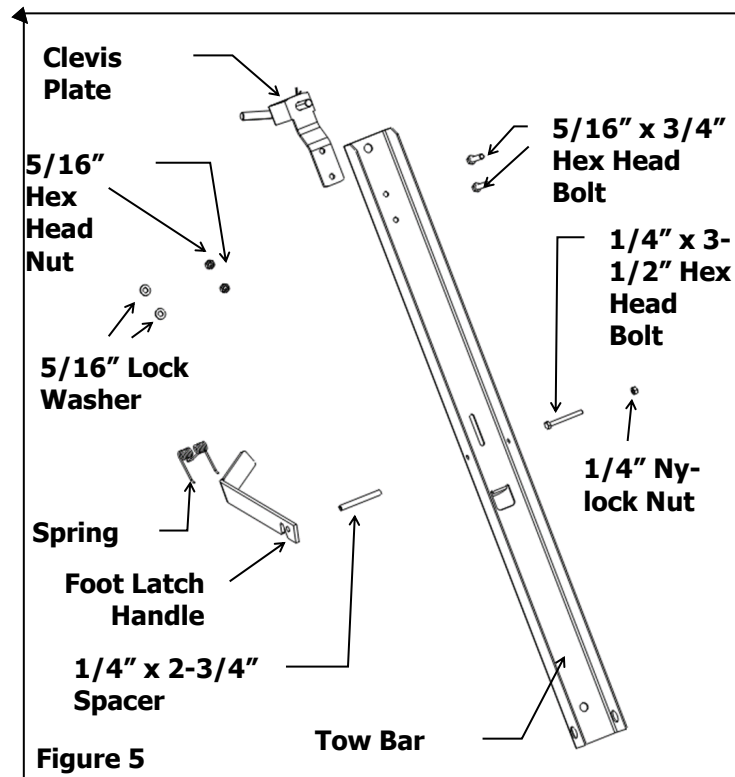
Parts List LC1003TBL

Ref.	Part No.	Qty	Description	Ref.	Part No.	Qty	Description
1	4538B	1	Cart Body Assembly	11	1276	2	5/16" Lock Washer
2	4519C-19	1	Tow Bar Assembly	12	1275	2	5/16" Hex Head Nut
3	4560	1	Tailgate	13	1558	1	1/4" Nylock Nut
4	1252	1	Axle	14	1265GVNW	1	Foot Latch Handle
5	4568C	2	Wheel	15	4468	1	1/4" x 2-3/4" Spacer
6	1262	2	1/8" x 1-1/4" Cotter Pin	16	1645	1	1/4" x 3-1/2" Hex Head Bolt
7	1264	4	3/4" Flat Washer	17	4497	1	Spring
8	2176	2	1" x 1" Tube Plug				
9	1586	2	5/16" x 3/4" Truss Head Bolt				
10	1243GVNW	1	Clevis Plate				

4. Install 1" x 1" Tube Plugs into open tube beneath Tailgate. See Figure 4.



5. Tow Bar comes fully assembled, illustration is shown only for future reference if replacement parts might be needed. See Figure 5.



Operation

- TO DUMP - Pull Foot Latch toward lawn tractor and Cart Body will tilt back to dump position.
- TO RETURN TO PULLING POSITION - Push down on front edge of Cart Body until Latch engages and secures to Tow Bar.
- Tractor speed should be governed by weight of load. The heavier the load, the slower the speed for safe operation with maximum speed of 4 mph.

Maintenance Instructions

- Keeping the cart clean and dry will prolong the unit's life.
- Grease Wheels at regular intervals, at least once every six months, more frequently if used regularly.
- Should rust develop, sand lightly then paint area with enamel paint.
- Check tire pressure at regular intervals. Proper inflation will prolong the life of tires (see side of tire for inflation amount).

Parts and Support



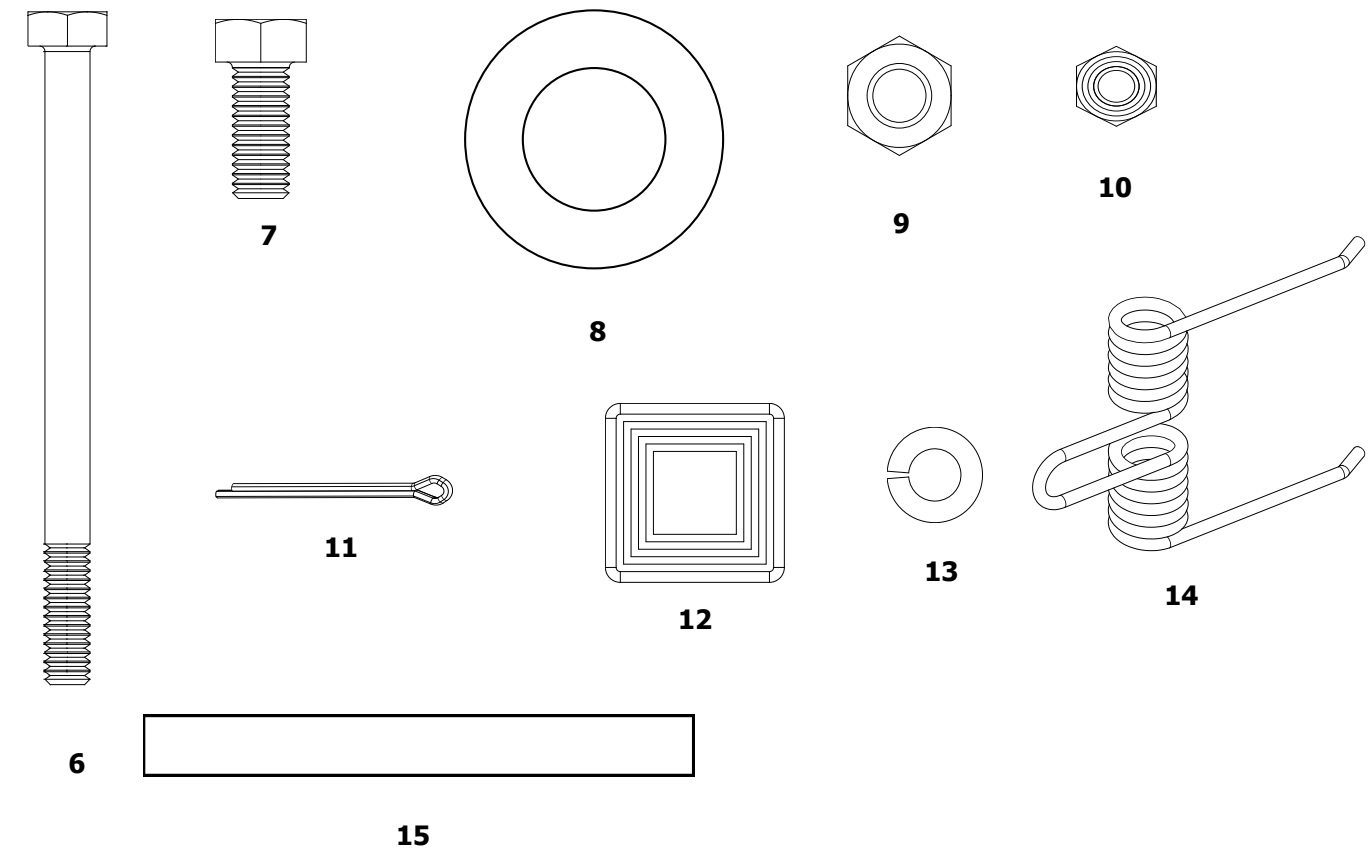
Please do not return this product to the store prior to contacting the number below.

Our goal is to deliver quality, value and outstanding service. If for any reason our product does not meet your expectations, please contact us and we will take care of any problem you may have with this unit.

When ordering replacement parts please have the model number, part description, part number, inspector number and date on carton, available so that we can best serve you.

1 (888) 376-9601

Shown Full Size



Ref. No.	Quantity	Description
1	1	Cart Body Assembly
2	1	Tailgate
3	1	Axle
4	1	Tow Bar Assembly
5	2	Wheel
6	1	1/4" x 3-1/2" Hex Head Bolt
7	2	5/16" x 3/4" Truss Head Bolt
8	4	3/4" Flat Washer
9	2	5/16" Hex Head Nut
10	1	1/4" Nylock Nut
11	2	1/8" x 1-1/4" Cotter Pin
12	2	1" x 1" Tube Plug
13	2	5/16" Lock Washer
14	1	Spring
15	1	1/4" x 2-3/4" Metal Spacer

Assembly Instructions

Tools Needed For Cart Assembly

(1) Pair of Pliers

(1) Rubber Mallet

Remove from Carton

Remove all parts and hardware packages from the carton. Lay out all parts and hardware and identify them using the illustrations pages 2 and 3.

1. Place Tow Bar onto Pedestal and into center slot of Axle Support. Slide the Axle through Axle Support and Tow Bar Assembly. See Figure 1.

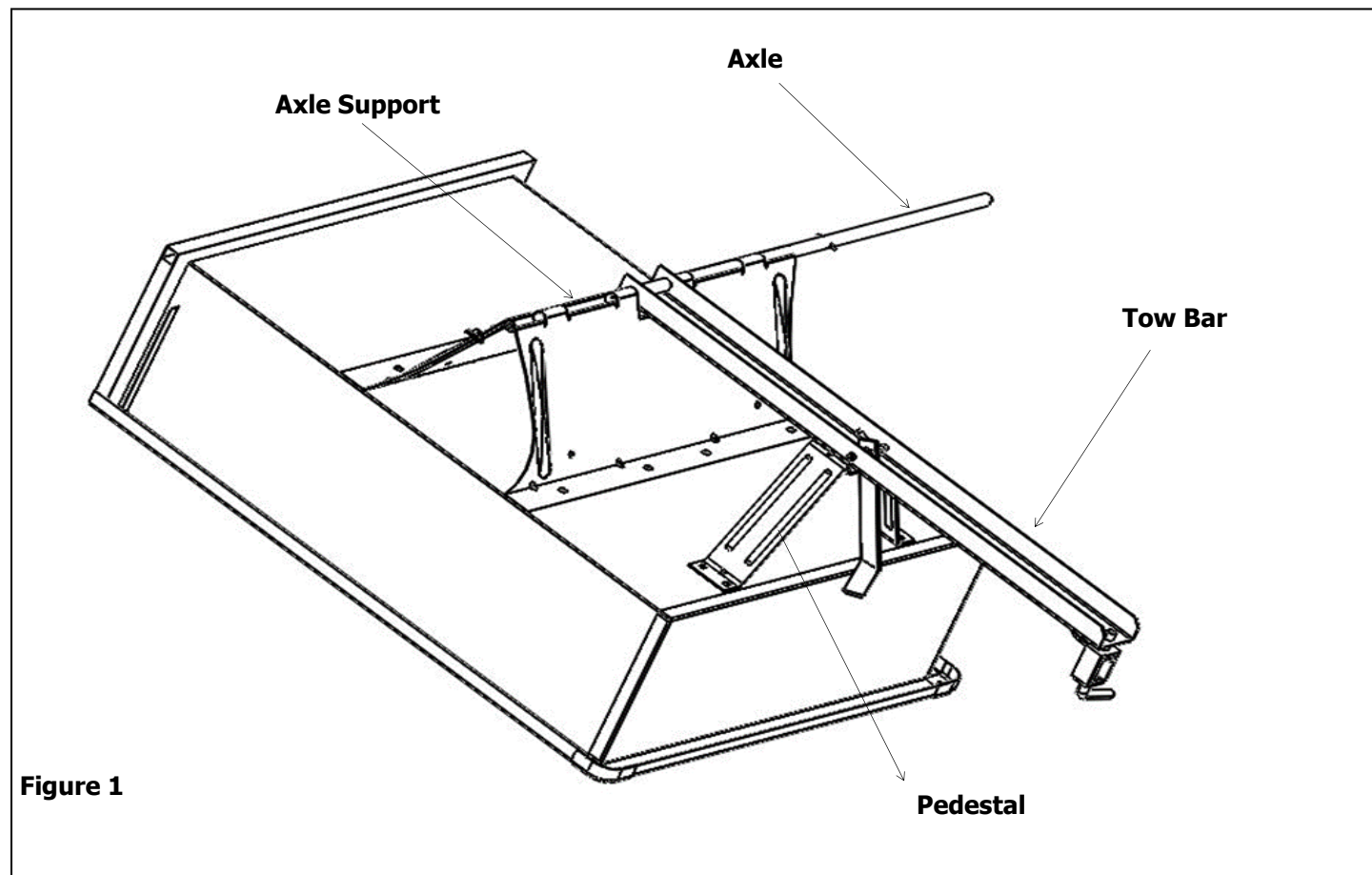


Figure 1

2. Center the Axle in the Axle Support then place one 3/4" Flat Washer on each side of the Axle next to the Axle Support. Place one Wheel on each side of the Axle and one more 3/4" Flat Washers on the outside of each Wheel. See Figure 2.

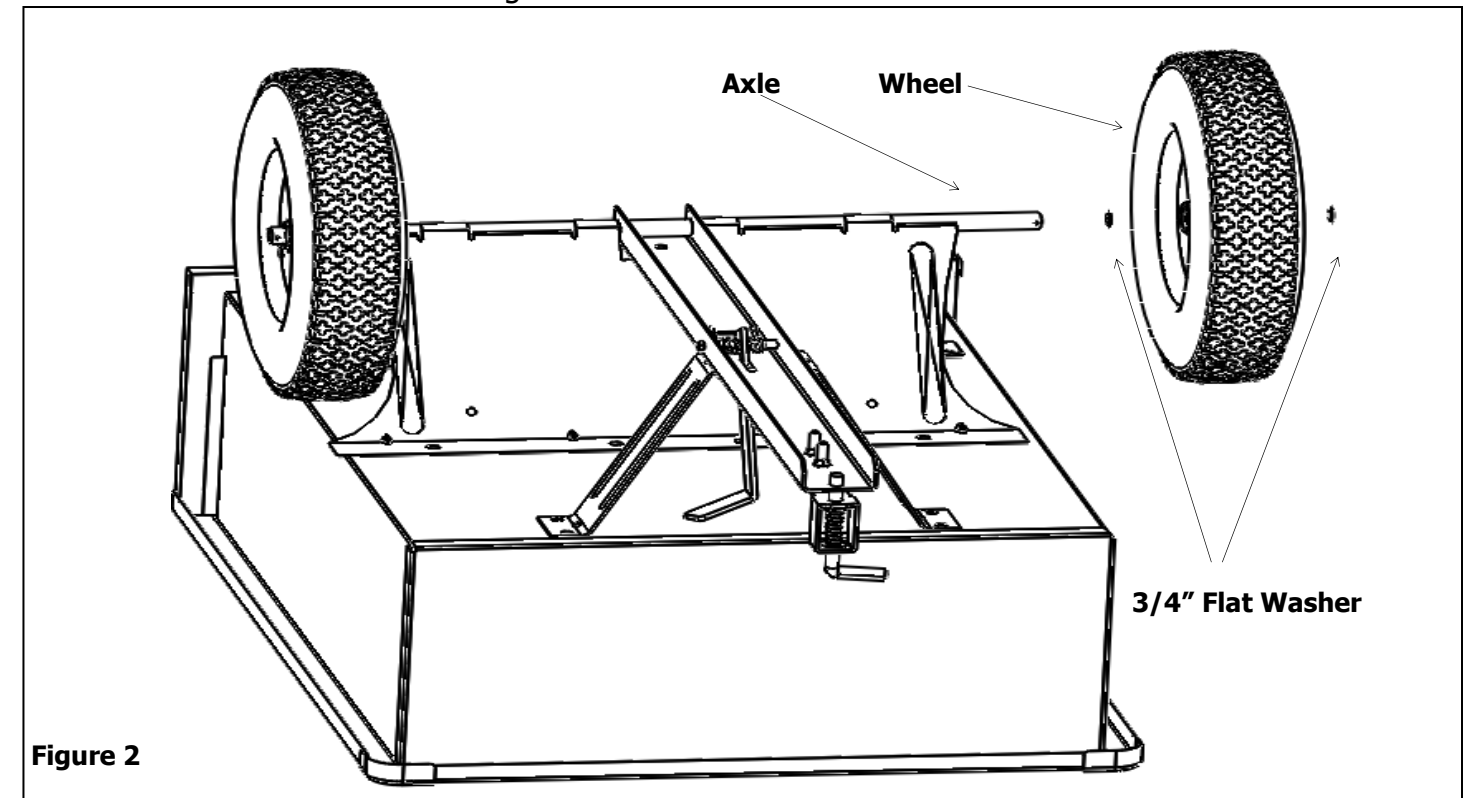


Figure 2

3. Insert Cotter Pin into hole in Axle and Spread Cotter Pin Legs apart to secure. Repeat this process on the other side of the Axle. See Figure 3.

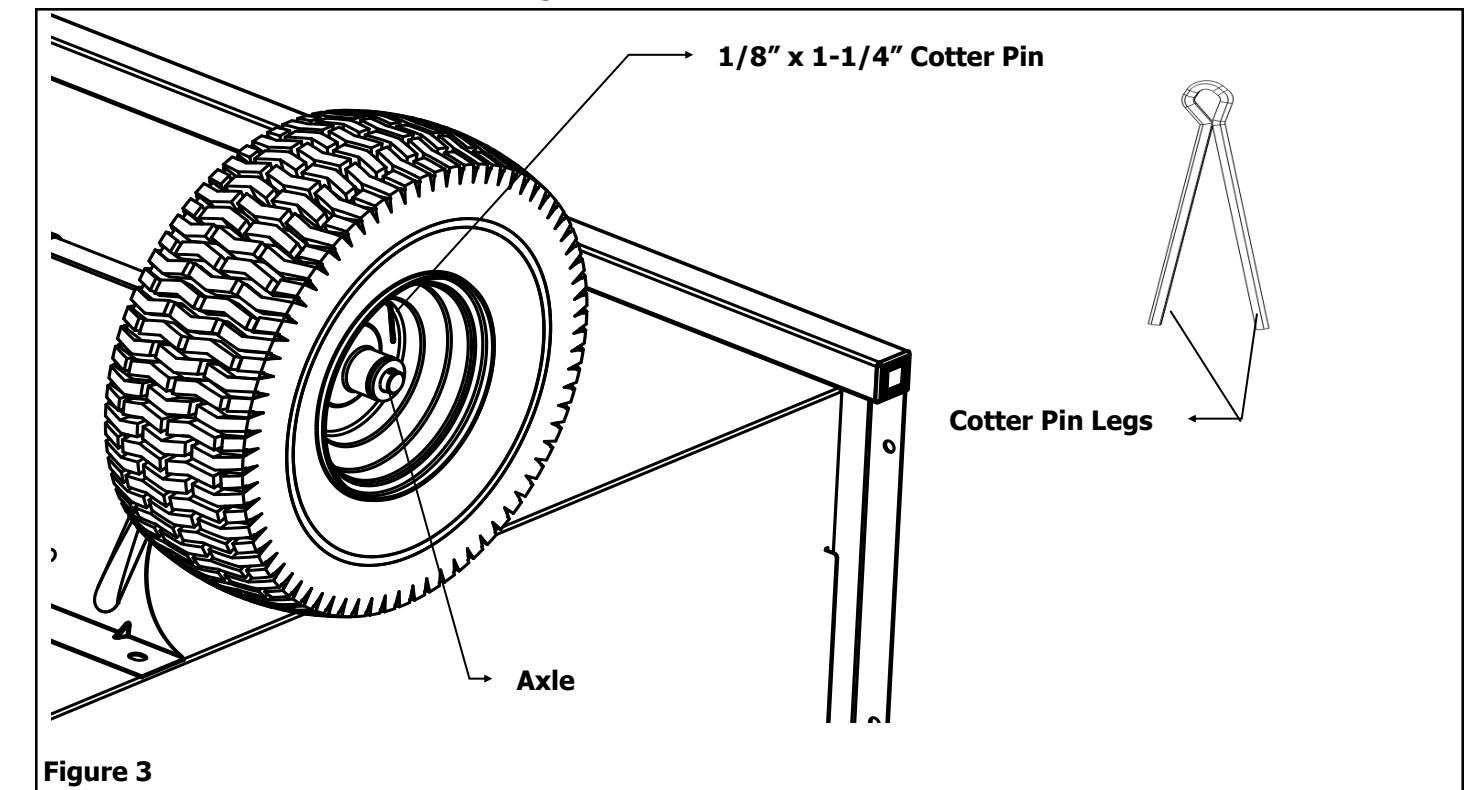


Figure 3