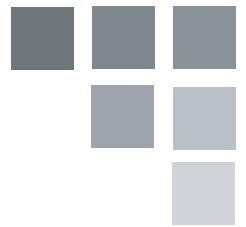


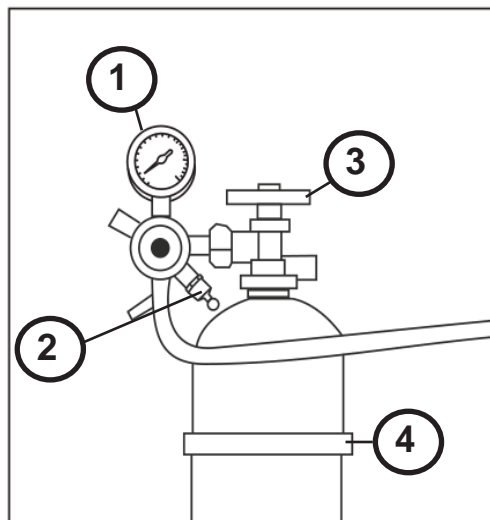


OWNER'S USE AND CARE GUIDE
GUIDE D'UTILISATION ET D'ENTRETIEN
GUÍA DE UTILIZACIÓN Y CUIDADO PARA EL PROPIETARIO

MODEL • MODÈLE • MODELO
DKC054A1BSLDB

KEG COOLER
GLACIÈRE DE BIÈRE PRESSION
BARRIL REFRIGERADOR





1. Pressure gauge dial
2. Pressure relief ring
3. Open / Close valve
4. Tank strap

Ensure the CO₂ tank is empty before courier or 3rd party transport.

DANGER - A full or partially full CO₂ tank is under extreme pressure. Uncontrolled release of pressure is extremely dangerous. The instructions below use the regulator to control the release of this pressure in a safe manner. Do not bypass the regulator.

1. Ensure tank is secure
2. Fully open valve by turning counter-clockwise. Pressure gauge dial will show a value if tank contains pressure.
3. Gently pull pressure relief ring. Released gas should be heard.
4. The pressure dial will read zero when the tank is empty. Continue to hold pressure relief open until tank is empty.
5. Release the pressure relief ring.
6. Fully close valve by turning clock-wise.

1. Cadran de manomètre
2. Anneau de limitation de pression
3. Soupape de l'ouverture / fermeture
4. Sangle du réservoir

Vérifiez que le réservoir de CO₂ est vide avant de messagerie ou transport 3e parti.

DANGER - Un réservoir plein ou partiellement plein de CO₂ est sous une pression extrême. La libération incontrôlée de la pression est extrêmement dangereuse. Les instructions ci-dessous utilisent le régulateur pour contrôler la libération de cette pression de manière sûre. Ne contournez pas le régulateur.

1. Assurez-vous que le réservoir est bien fixé
2. Ouvrir complètement la soupape en tournant dans le sens anti-horaire. Le cadran du manomètre indiquera une valeur si le réservoir contient de la pression.
3. Tirez doucement la bague de décharge de pression. Le gaz rejeté doit être entendu.
4. Le cadran de pression indique zéro lorsque le réservoir est vide. Continuez à maintenir le soulagement de pression ouvert jusqu'à ce que le réservoir soit vide.
5. Relâcher l'anneau de décharge de pression.
6. Fermez complètement la soupape en tournant dans le sens horaire.

1. Indicador del manómetro
2. Anillo de alivio de presión
3. Abrir / cerrar la válvula
4. Correa del tanque

Asegúrese de que el tanque de CO₂ esté vacío antes del transporte por mensajería o por terceros.

PELIGRO - Un tanque lleno o parcialmente lleno de CO₂ está bajo presión extrema. La liberación incontrolada de presión es extremadamente peligrosa. Las instrucciones a continuación utilizan el regulador para controlar la liberación de esta presión de una manera segura. No elimine el regulador.

1. Asegúrese de que el tanque esté seguro
2. Abra completamente la válvula girando en sentido antihorario. El indicador del manómetro mostrará un valor si el tanque contiene presión.
3. Tire suavemente el anillo de alivio de presión. Se debe oír el gas liberado.
4. El dial de presión mostrará cero cuando el depósito esté vacío. Continúe manteniendo el alivio de presión abierto hasta que el tanque esté vacío.
5. Suelte el anillo de alivio de presión.
6. Cierre completamente la válvula girándola en el sentido de las agujas del reloj.

CONTENTS * TABLE DES MATIÈRES * ÍNDICE

KEG COOLER

Owner's Use and Care Guide1-16

- Welcome
- Important Safety Information
- Features
- Installation Instructions
- Operation Instructions
- Care and Maintenance
- Troubleshooting
- Warranty

GLACIÈRE DE BIÈRE PRESSION

Guide d'utilisation et d'entretien du propriétaire.....17-32

- Bienvenue
- Consignes de sécurité importantes
- Caractéristiques
- Consignes d'installation
- Consignes d'utilisation
- Soins et entretien
- Dépannage
- Garantie

BARRIL REFRIGERADOR

Guía de utilización y cuidado para el propietario.....33-48

- Bienvenido
- Información importante sobre seguridad
- Características
- Instrucciones de instalación
- Instrucciones de funcionamiento
- Cuidado y mantenimiento
- Solución sugerida
- Garantía

Includes American Sankey tap coupler only.

Inclut robinet de prise Américain Sankey seulement.

Incluye grifo Americano solamente.

TO OBTAIN WARRANTY SERVICE YOU MUST PROVIDE A VALID PROOF OF PURCHASE.
PLEASE STAPLE YOUR RECEIPT TO THIS PAGE FOR FUTURE REFERENCE.

POUR OBTENIR LE SERVICE SUR GARANTIE VOUS DEVEZ FOURNIR UNE PREUVE D'ACHAT
VALIDE. VEUILLEZ AGRAFER VOTRE REÇU À CETTE PAGE POUR RÉFÉRENCE FUTURE.

PARA OBTENER SERVICIO DE GARANTÍA, DEBE PROVEER UN RECIBO ORIGINAL. POR
FAVOR ENGRAPE SU RECIBO A ÉSTA PÁGINA EN CASO QUE NECESITE HACER UN
RECLAMO.

Welcome

Welcome to the Danby family. We are proud of our quality products, and we believe in dependable service. We suggest that you read this Owner's Manual before plugging in your new appliance as it contains important operational information, safety information, troubleshooting and maintenance tips to ensure the reliability and longevity of your appliance. Visit www.Danby.com to access self-service tools, FAQs and much more. For additional assistance call 1-800-263-2629.

**Note the information below; you will need this information to obtain service under warranty.
To receive service, you must provide the original receipt.**

Model Number:	_____
Serial Number:	_____
Date of Purchase:	_____

NEED HELP?

Before you call for service, here are a few things you can do to help us serve you better:

Read this Owner's Use and Care Guide:

It contains instructions to help you use and maintain your appliance properly.

If you received a damaged appliance:

Immediately contact the retailer (or builder) that sold you the appliance.

Save time and money:

Check the Troubleshooting section at the end of the guide before calling. This section helps you solve common problems that may occur.

If you do need service, you can relax, knowing help is only a phone call away.





Important Safety Information

READ AND FOLLOW ALL SAFETY INSTRUCTIONS



IMPORTANT WARNING

DANGER: Risk of child entrapment. Before you throw away your old appliance:

- Take off doors or remove the gasket.
- Leave the shelves in place so that children may not easily climb in.

DON'T WAIT! DO IT NOW!

OPERATION REQUIREMENTS

To avoid installation or operation difficulties, read these instructions thoroughly.

- This appliance must be grounded. Connect only to a properly grounded outlet. See Grounding Instructions section.
- Do not operate this appliance if it has a damaged power cord or plug, if it is not working properly, or if the appliance has been damaged or dropped. If the power cord is damaged it must be replaced by the manufacturer, its service agent or similarly qualified person to avoid hazard.
- Never allow children to operate, play with, or crawl inside the appliance.
- Never clean appliance parts with flammable fluids. The fumes can create a fire hazard or explosion.
- Do not store or use gasoline or any other flammable vapors or liquids in the vicinity of this or any other appliance. The fumes can create a fire hazard or explosion.
- Do not splice the power cord that is equipped with this appliance.
- Keep power cord away from heated surfaces.
- Do not immerse power cord, plug or the appliance itself in water.
- Do not use this product near water for example, in a wet basement, laundry room or near a sink.
- Do not use corrosive chemicals or vapors in this appliance.
- Use this appliance only for its intended use, as described in this manual.
- Do not store open containers in this appliance.
- Do not cover or block any openings on the appliance.
- Do not store perishable food items such as (but not limited to) meats and dairy products in your wine cooler. This appliance does not get cold enough to be food safe.
- This appliance is intended for household use only. Do not operate or store this appliance outdoors.
- This appliance should be serviced only by qualified service personnel. Contact the nearest authorized service facility for examination, repair or adjustment.
- Before connecting the appliance to a power source, let it stand upright for approximately 6 hours; this will reduce the possibility of a malfunction in the cooling system from handling during transportation.

SAVE THESE INSTRUCTIONS!



Important Safety Information

READ AND FOLLOW ALL SAFETY INSTRUCTIONS

GROUNDING INSTRUCTIONS

This appliance must be grounded. In the event of an electrical short circuit, grounding reduces the risk of electric shock by providing an escape wire for the electric current. This appliance is equipped with a cord having a grounding wire with a grounding plug. The plug must be plugged into an outlet that is properly installed and grounded.

WARNING - Improper use of the grounding plug can result in a risk of electric shock. Consult a qualified electrician or service agent if the grounding instructions are not completely understood, or if doubt exists as to whether the appliance is properly grounded.

If the outlet is a standard 2-prong wall outlet, it is your personal responsibility and obligation to have it replaced with a properly grounded 3-prong wall outlet.

For best operation, plug this appliance into its own electrical outlet to prevent flickering of lights, blowing of fuse or tripping of circuit breaker.

DO NOT USE AN EXTENSION CORD

Use an exclusive 115V wall outlet. Do not connect your appliance to extension cords or together with another appliance in the same wall outlet. Do not splice the cord. Do not under any circumstances cut or remove the third ground prong from the power cord. Do not use an adapter plug with this appliance.

SAFETY REQUIREMENTS

Ensure that component parts shall be replaced with like components and that servicing shall be done by factory authorized service personnel, so as to minimize the risk of possible ignition due to incorrect parts or improper service.

This appliance must be grounded. In the event of an electrical short circuit, grounding reduces the risk of electrical shock by providing an escape wire for the electrical current. The serial rating plate indicates the voltage and frequency the appliance is designed for.

WARNING! EXPLOSION HAZARD! Risk of fire or explosion due to puncturing of refrigerant tubing. Do not use sharp objects to aid in defrost. Please handle with care. Keep flammable materials and vapors such as gasoline away from the refrigerator. Use nonflammable cleaner.

Disposal of this unit should be in accordance with federal and local regulations.

This appliance is not intended for use by persons (including children) whose physical, sensory or mental capabilities may be different or reduced, or who lack experience or knowledge, unless such persons receive supervision or training to operate the appliance by a person responsible for their safety.

WARNING: Keep ventilation openings, in the appliance enclosure or in the built-in structure, clear of obstruction.

WARNING: Do not use mechanical devices or other means to accelerate the defrosting process, other than those recommended by the manufacturer.

WARNING: Do not damage the refrigerant circuit.

WARNING: Do not use electrical appliances inside the food storage compartments of the appliance, unless they are of the type recommended by the manufacturer.

SAVE THESE INSTRUCTIONS!



Important Safety Information

READ AND FOLLOW ALL SAFETY INSTRUCTIONS

WARNING: CO₂ CAN BE DANGEROUS!

CO₂ Cylinders, when charged, contain high pressure compressed gas which can be hazardous if not handled properly. Read and understand the following procedures for CO₂ cylinders before installation:

1. Always check the D.O.T. (Department of Transportation) as well as the T.C. (Transport Canada) test date located on the neck of the cylinder before installation. If the date is older than five (5) years, do not use! Return the gas cylinder to a gas supplier for re-certification (service charges may be applicable).
2. Always connect a CO₂ gas cylinder to a regulator. Failure to do so could result in an explosion which can possibly result in death or injury when the cylinder valve is opened.
3. Always follow correct procedures when cylinders are changed as per local codes.
4. Always secure a CO₂ gas cylinder in an “upright” position.
5. Always keep a CO₂ gas cylinder away from heat. Store extra cylinders in a cool place (preferably 70°F/21°C). Securely fasten with a chain in an upright position when storing.
6. Always ventilate and leave the area immediately after any leakage of CO₂.
7. Never connect a CO₂ gas cylinder directly to a beer keg.
8. Never drop or throw a CO₂ cylinder.
9. Never connect a keg without at least one safety pressure release. There are two safety mechanisms in the pressure system;
 - One at or on the CO₂ regulator.
 - One at or on the product container coupler in the pressure gas line.

Note: The regulator and keg coupler supplied with this unit are inclusive of such safety mechanisms.

CO₂ WARNING

If it becomes difficult to breathe and/or your head starts to ache, abnormal concentrations of carbon dioxide (CO₂) may be present in the area.

CLOSE THE MAIN VALVE ON THE CO₂ CYLINDER, VENTILATE AND LEAVE THE ROOM IMMEDIATELY!

IMPORTANT WARNING

Beer is easily available with Danby's Keg Cooler, however, it is not intended to be available to people under the legal age to consume beer. Danby does not assume liability for the unlawful use or consumption of the beer.

PLEASE DRINK RESPONSIBLY AND PLEASE DON'T DRINK AND DRIVE!

SAVE THESE INSTRUCTIONS!

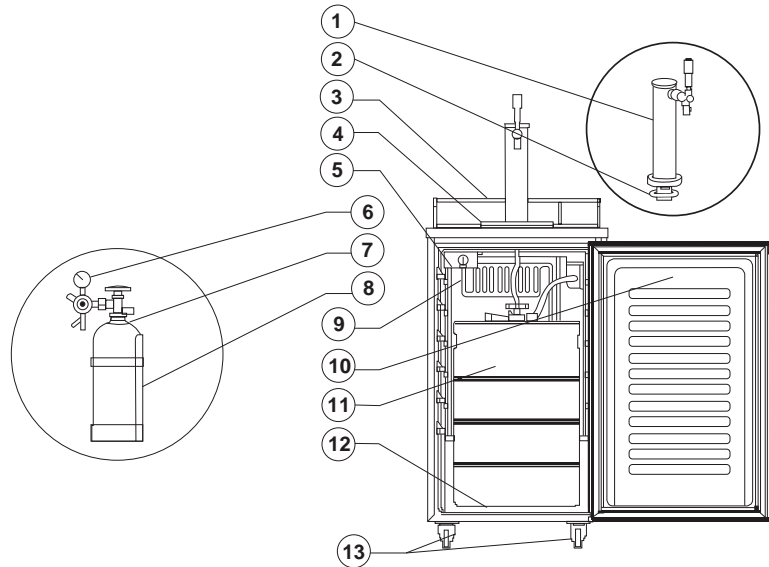


Installation Instructions

INCLUDED ACCESSORIES

Remove and inspect all accessories supplied with this unit and ensure they are all present and in good condition. In the event any of the accessories are missing and/or not in good condition, please call Danby toll free at **1-800-263-2629** and speak with one of our Consumer Service Representatives.

1. **Beer Tower**
2. **Rubber Gasket** (may not be required in all unit configurations)
3. **Safety Guard Rail**
4. **Drip Tray**
5. **Adjustable Thermostat**
6. **CO₂ Regulator**
7. **CO₂ Gas Cylinder**
8. **CO₂ Gas Cylinder Support**
9. **Evaporator**
10. **Door**
11. **Beer Keg** (not included)
12. **Metal Plate**
13. **Castors (4)**



BEFORE USING YOUR KEG COOLER

- Remove the exterior and interior packaging.
- Check to be sure you have all the following parts:
 - 2 Safety Guard Rail
 - 1 drip tray (2 pieces)
 - 1 CO₂ Cylinder support
 - 1 CO₂ Regulator
 - 1 CO₂ Empty Cylinder
 - 1 CO₂ Gas line hose (coloured)
 - 1 Beer Hose
 - 1 Beer keg couplers
 - 1 Beer tower
 - 1 Pull handle (Beer tower faucet)
 - 4 Plugs: For guard rail holes
 - 1 metal plate for cabinet bottom
 - 3 Wire shelf
 - 1 steel clamp for coloured hose
 - 2 plastic washers for front casters
 - 4 Casters (2 front with locks)
- Before plugging in the keg cooler, let it stand upright for approximately 6 hours. This will reduce the possibility of a malfunction in the cooling system from handling during transportation.
- Clean the interior surface with lukewarm water using a soft cloth.



Installation Instructions

INSTALLATION OF KEG COOLER

- This appliance is designed to be free standing only and should not be recessed or built-in.
- Place your keg cooler on a floor that is strong enough to support the unit when it is fully loaded.
- Allow 8-12 cm (3-5 inches) of space between the back and sides of the keg cooler and any adjacent wall to allow proper air circulation to cool the compressor.
- Locate the keg cooler away from direct sunlight and sources of heat (stove, heater, radiator, etc.). Direct sunlight may affect the acrylic coating and heat sources may increase electrical consumption. Extreme cold ambient temperatures may also cause the keg cooler not to perform properly.
- This unit is not designed for outside installation (i.e. garages, porches, patios etc.).
- Avoid locating the keg cooler in excessive humidity.
- Plug the keg cooler into a dedicated, properly installed-grounded wall outlet. Do not under any circumstance cut or remove the third ground prong from the power cord. Any questions concerning power and or grounding should be directed toward a certified electrician or an authorized service centre.
- After plugging the appliance into a wall outlet, allow the unit to cool down for 2-3 hours before placing any contents in the keg cooler compartment.



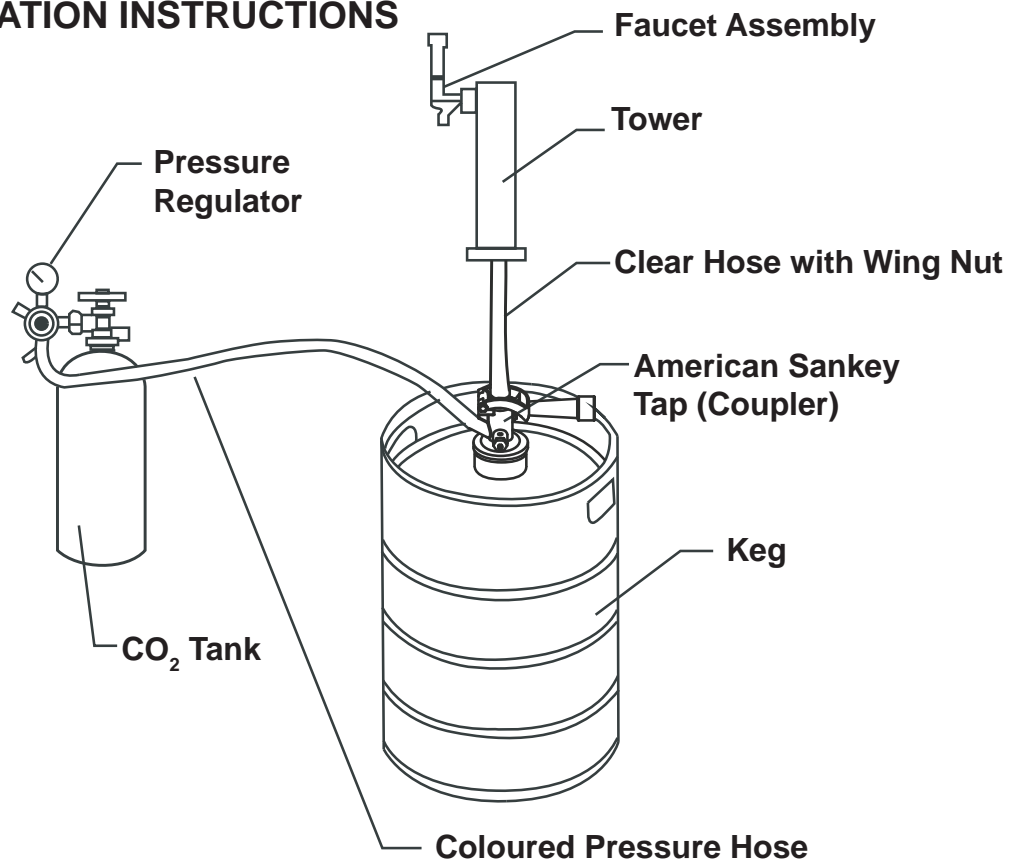
WARNING

CO₂ GAS CAN BE DANGEROUS

CO₂ cylinders contain high-pressure compressed gas which can be hazardous if not handled properly. Make sure you read and understand all safety procedures for CO₂ cylinders before installation.

BEER KEG INSTALLATION INSTRUCTIONS

Keg Installation Sketch

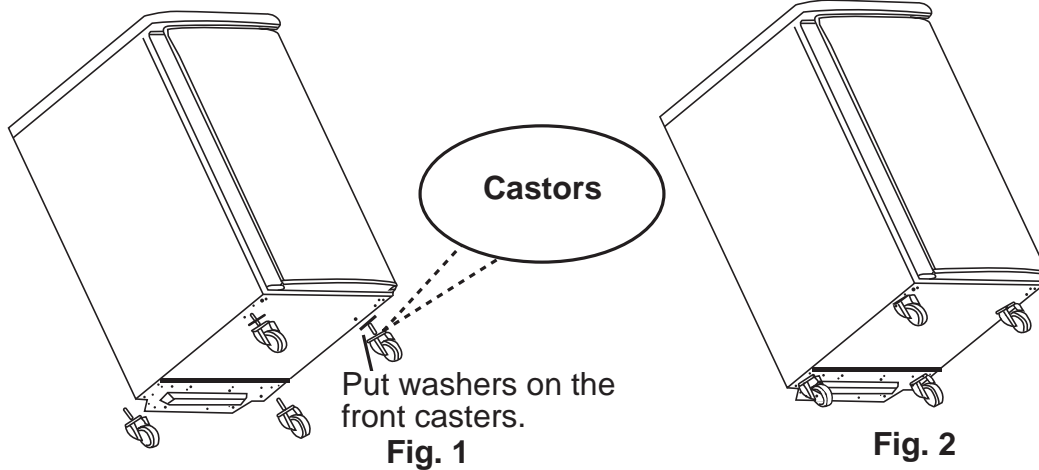




Installation Instructions

BEER KEG INSTALLATION INSTRUCTIONS

Install the four castors. The two locking castors should be placed at the front. Four screw holes have been pre-drilled into the unit's bottom at each corner for each castor. Put the plastic washers provided on the front castors before installing them.



Castor Brake Guide

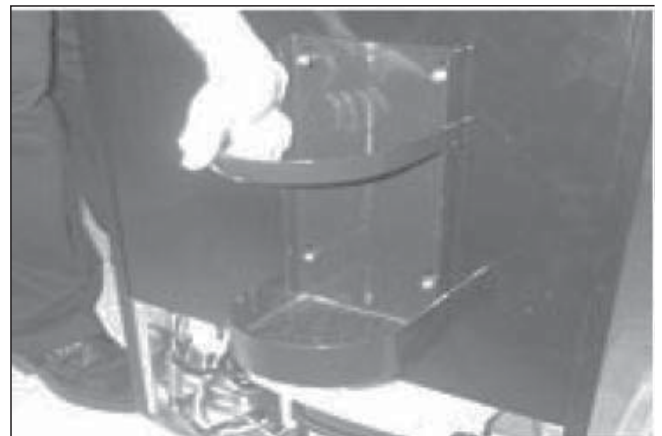
The two front castors are supplied with brakes to ensure the unit does not move excessively while being used. It is recommended to engage the brakes while the unit is in use to avoid damage to the unit, the contents or your personal property.



Installation of CO₂ Cylinder Support

Install the metal support provided onto the four studs located on the exterior back wall of the chassis.

Align the holes in the support with the studs and push down firmly.





Installation Instructions

Installation of CO₂ Cylinder and CO₂ Regulator

The CO₂ cylinder does not come filled. The cylinder must be filled with CO₂ before use.

Place the charged cylinder into the support stand.

Attach the CO₂ regulator to the cylinder by turning the regulator nut onto the cylinder valve, making sure the washer is securely inserted into the connecting nut. Tighten snug using an adjustable wrench (not supplied) and ensure there are no leaks, i.e. no hissing sounds when the CO₂ is turned on.

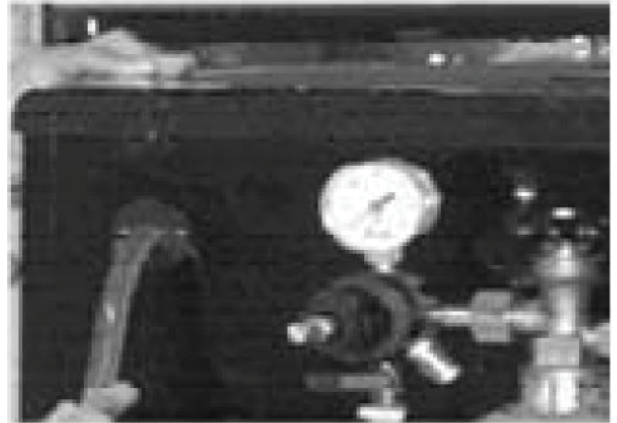


Installation of CO₂ Air Line Outside Cabinet and CO₂ Air Line Hose to Regulator

Remove the plug located at the exterior back of the cabinet, in the top left hand corner. Save the plug for later use if you decide to convert the unit to a refrigerator.

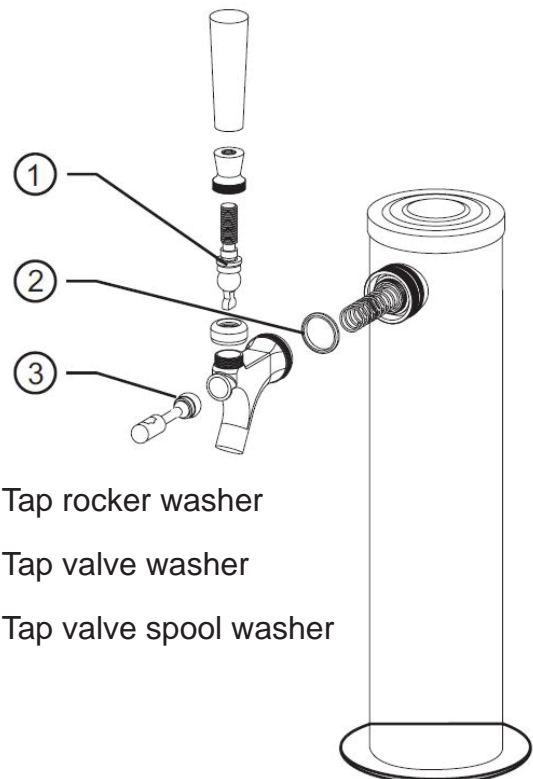
Feed the gas line through the cabinet and out through the uncovered hole.

Attach the open end of the hose to the hose barb connection on the regulator. Secure the hose by using one clamp provided. Use pliers or a screwdriver to tighten the clamp to prevent leaks.



Installation of the Beer Tower

- Remove the plug from the top of the fridge cabinet by twisting and pulling out. Save the plug for later use if you decide to convert the unit to a refrigerator.
- Unravel the beer line (clear hose) from the tower and insert the beer line and wing nut through the uncovered hole on top of the unit.
- Lock the beer tower assembly to the top of the unit and make sure to position the beer faucet so it is aligned with the front of the cabinet.
- The rubber gasket can be used to make the connection between the tower and the cooler tighter if needed. If the beer tower will not turn to lock in place, try removing the rubber gasket. (The rubber gasket may not be required in all unit configurations).
- If the tower faucet is leaking or if the beer is very foamy, ensure that the washers inside the faucet are intact. Replace the washers with spare parts from the accessory bag, if necessary.



1. Tap rocker washer
2. Tap valve washer
3. Tap valve spool washer



Installation Instructions

Installation of the Protective Metal Plate

The protective metal plate should be installed on the bottom of the inside of the cabinet. This plate should always be installed when a keg is in place to protect the floor of the cabinet against damage.

Installation of the Beer Keg

- Position the beer keg directly in front of the open door. Using keg handles only, carefully lift the beer keg.
- To place the beer keg inside the cabinet, brace your knees behind the beer keg. Lift the front of the keg just enough so the front end of the keg is resting on the front edge of the keg cooler bottom cabinet.
- Grasp the keg handles and slide it all the way into the cabinet.

Note: Two people should lift the keg to avoid back injury.



Installation of the CO₂ Air Line Hose

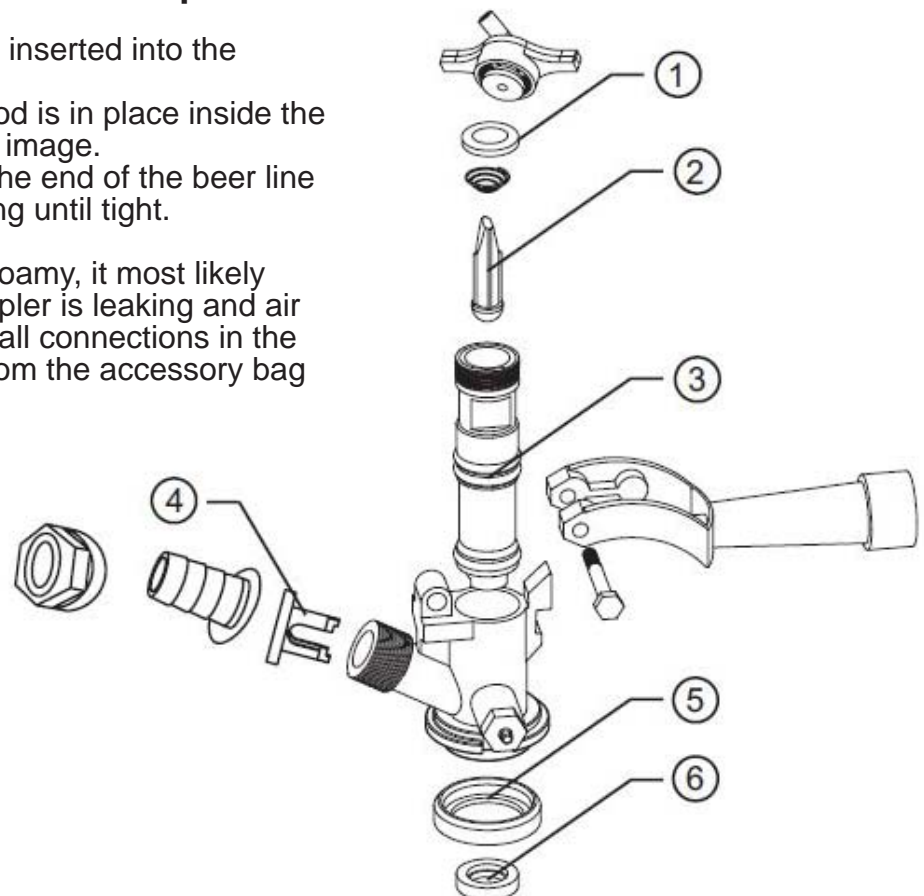
Attach the end of the air line (coloured) hose provided to the hose connection on the side of the coupler. Ensure that the check valve is inserted into the connection, number 4 on the image below.

If, after assembly, beer will not flow, ensure that the check valve has a small hole in it. If there is no hole in the check valve then CO₂ cannot enter the line and the beer will not flow.

Connecting the Beer Tower to the Coupler

- Ensure all washers are properly inserted into the coupler, as per below image.
- Ensure the valve spool plastic rod is in place inside the coupler, number 2 on the below image.
- Place the wing nut attached to the end of the beer line into the top of the coupler, turning until tight.

If, after assembly, the beer is very foamy, it most likely means that a connection in the coupler is leaking and air is entering the lines. Double check all connections in the coupler and replace the washers from the accessory bag as necessary.



1. Valve washer
2. Valve spool plastic rod
3. Valve spool O-type washer
4. Check valve
5. Valve washer
6. Valve washer



Installation Instructions

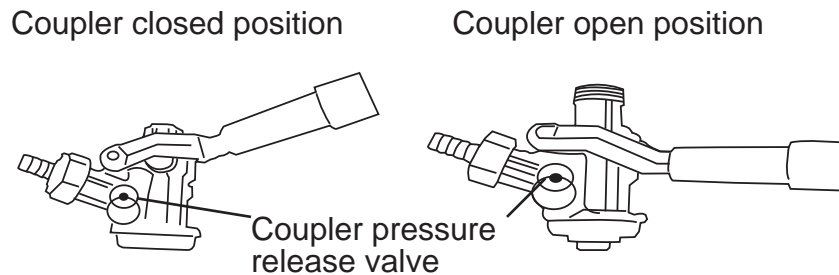
Installation of the Keg Coupler

Insert the keg coupler into the locking neck of the beer keg and turn it clockwise to lock into position, making sure the keg coupler handle is in the closed position, with the handle up.

How to Tap a Keg of Beer

- Make sure the CO₂ is turned off and the valve on the regulator is in the closed position.
- Pull out and release the pressure release valve on the coupler to purge any air pressure.
- Make sure the beer tower faucet handle is in the closed position.
- Pull coupler handle out and downward until it locks into its open position. The teeth on the underside of the coupler will bite into the locking neck of the beer keg.

Note: If a keg is very tall, it may be necessary to connect the coupler to the keg before inserting the keg into the keg cooler.



Opening the CO₂ Cylinder Main Valve

- Make sure the secondary shut-off valve (shown below in “open” position) is closed. To open the main CO₂ cylinder valve, slowly turn the main valve counter-clockwise until fully open.
- Notice the needle on the regulator gauge start to climb.

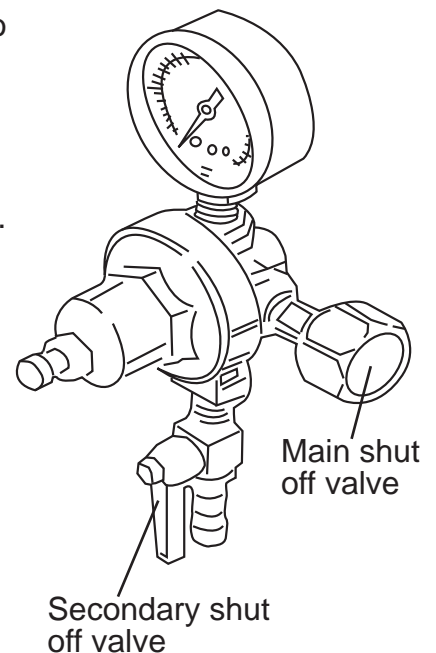
Adjusting the CO₂ Regulator

The gauge monitors low internal keg pressure and should be adjusted to read between 8-12 PSI. The pressure can be adjusted as needed. If the beer is very foamy, try turning the PSI down. If the flow of beer is very weak, try turning the PSI up.

Note: After making any adjustment to the PSI, wait 5 - 10 minutes before attempting to pour another beer to allow the pressure to equalize.

- Release adjustment lock nut marked 2.
- Using a flat screwdriver, turn regulator screw marked 3.
 - To increase pressure, turn screw clockwise.
 - To decrease pressure, turn screw counter-clockwise.
- Retighten lock nut marked 2.
- Open secondary shut off valve to let CO₂ flow into the keg.
- Allow several minutes for the keg to properly pressurize. Regulator gauge may drop while this happens.

Note: Listen for hissing along all connections to identify if there are any leaks.



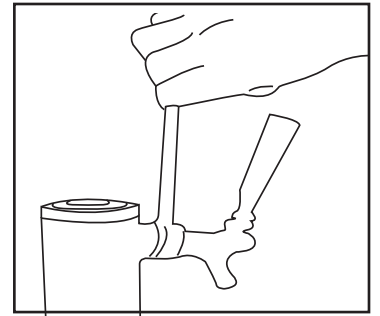


Installation Instructions

Spanner Faucet Wrench

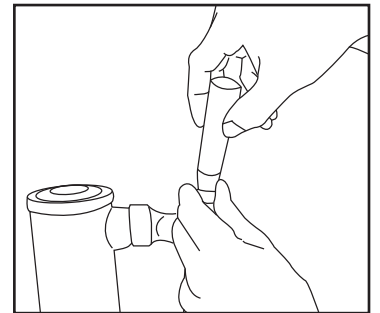
Spanner faucet wrench (provided) is for either removing or tightening the faucet connection.

Note: To prevent leakage, use the provided wrench to further tighten the faucet connection.



Plastic Faucet Lever

Attach the black plastic lever (pull handle) to the top of the faucet by tightening it by hand going clockwise until the end, holding in the silver nut underneath so it does not turn. If there is still a small drip from the faucet, you may have overtightened the silver nut and may need to unscrew silver snug going counter-clockwise (as shown one turn).



DISPENSING OF BEER

- Keep beer keg refrigerated at all times.
- Never allow beer lines to dry out.
- Use clean glassware before pouring.
- Hold glass at a 45° angle, when it is 2/3 full, start to straighten glass as the glass fills.
- Always make sure the faucet handle is pushed all the way back.

Keg sizes that can be used in your keg cooler				
1/2 barrel	59 Liters	15.5 gals	1984 oz.	164 x 12-oz. Glasses
1/4 barrel	30 Liters	7.8 gals.	992 oz.	82 x 12-oz. Glasses
1/6 barrel	20 Liters	5.2 gals.	661 oz.	55 x 12-oz. Glasses
1/8 barrel	15 Liters	4.0 gals.	496 oz.	41 x 12-oz. Glasses

Note: The refrigerator compartment cannot accommodate the “Coors” style beveled barrel keg.

Note: Our keg cooler accepts domestic kegs up to 16-1/8” in diameter and up to 23-3/8” in height. Check with your distributor to make sure keg is correct size.

Note: It is important to allow the keg to sit upright and undisturbed, for 2 hours before tapping.

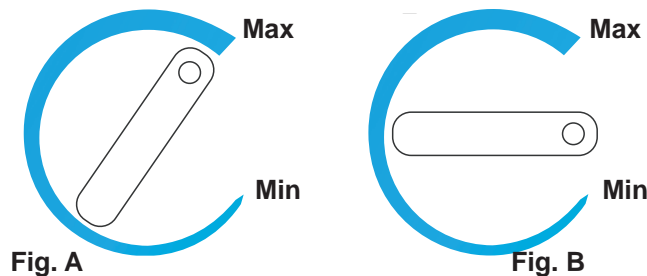


Operating Instructions

SETTING THE TEMPERATURE

The temperature is controlled by adjusting the thermostat control knob. To start the unit and achieve maximum cooling quickly:

- Turn the temperature control knob clockwise to the maximum setting on the wide, blue section of the control dial (Fig. A).
- Allow the unit to run at this setting for 3-4 hours.
- When maximum cooling is achieved, turn back the temperature control knob to a medium temperature.
- To turn off the cooling, rotate the control knob to the “0” (OFF) position (Fig. B).



AUTOMATIC DEFROSTING

There is no need to defrost the keg cooler. Defrost water collects and passes through the drain outlet in the rear wall into a tray located above the compressor, where it evaporates.

Note: If the unit is unplugged, power lost or turned off, you must wait 3 to 5 minutes before restarting the unit. If you attempt to restart before this time delay, the compressor may not start.

CONVERTING TO AN ALL REFRIGERATOR

1. Turn the control knob to the “OFF” position.
2. Close the main valve on the CO₂ cylinder.
3. Close the secondary shut-off valve on the regulator pipe.
4. Close the connection between the beer keg and the keg coupler.
5. Drain any remaining beer from the lines. (We recommend cleaning at this point, please see Care and Maintenance section).
6. Disconnect the beer line and CO₂ gas line from the keg coupler.
7. Remove the beer keg.
8. Remove the keg coupler.
9. Disconnect the gas line from the CO₂ cylinder.
10. Remove the CO₂ gas line from cabinet plug.
11. Replace the gas line rear cabinet plug.
12. Remove the beer tower. Also pull the beer line through the top of the cabinet.
13. Replace the top cabinet plug.
14. Adjust the temperature as desired.

Note: In order to convert the unit, you must disconnect the gas line from the regulator in order to remove it from the cabinet.

Note: If you desire a shelf in the converted “All Refrigerator” install the shelf by sliding it into the desired spot in the unit.

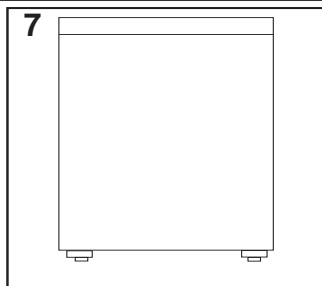
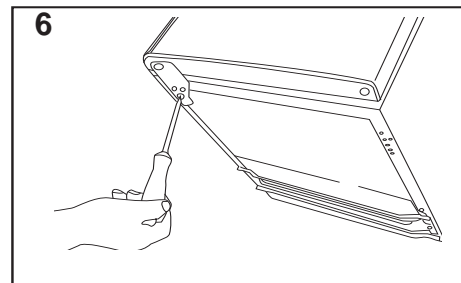
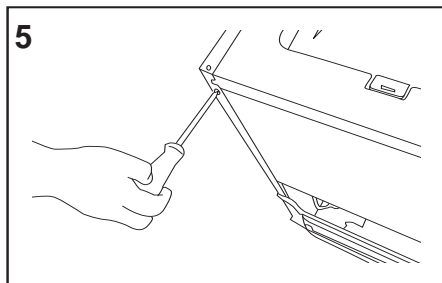
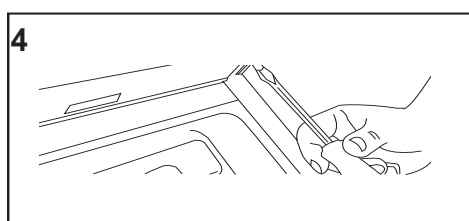
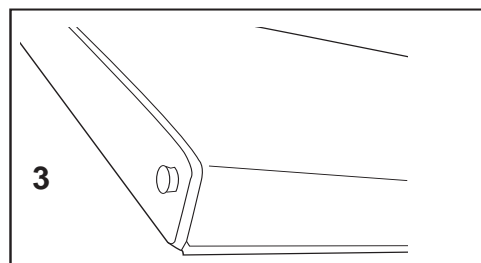
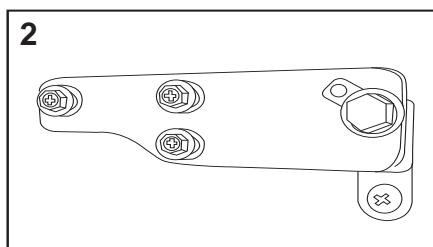
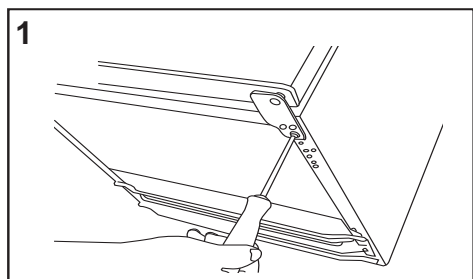
Operating Instructions

DOOR REVERSAL INSTRUCTIONS

To avoid personal injury to yourself or property, we recommend that someone assist you during the door reversal process.

This keg cooler has a door that can be set to open from the left or right side. This unit is delivered to you with the door opening from the left side. To reverse the opening direction, please follow the instructions below.

1. Undo the three (3) screws in each bracket using a Phillips screwdriver.
2. Remove the screws and bracket. Place to one side.
3. Slide the door down about 15 cm (6") and off the top hinge pin and lift away.
4. Use a flat head screwdriver to remove the pin from the top bracket. Replace it in the hinge bracket on the opposite side.
5. Remove the screw from the side of the fridge where the bracket is to be re-fitted.
6. Slide the fridge door back onto the top hinge, making sure it's the right way up. Screw the bottom hinge into place on the new side.
7. Check that the door is aligned horizontally and vertically and that the seals are closed on all sides before finally tightening the bottom hinge.





Care and Maintenance

CLEANING YOUR KEG COOLER

- Turn the temperature control to “OFF”, unplug the keg cooler, and remove the contents.
- Wash the inside surfaces with a warm water and baking soda solution. The solution should be 2 tablespoons of baking soda to a quart of water.
- Wash the shelves and stand with a mild detergent solution.
- Wipe down any electrical controls with a dry cloth.
- Wash the outside cabinet with warm water and mild liquid detergent. Rinse well and wipe dry with a clean soft cloth.

CLEANING YOUR BEER LINES

Beer lines have to periodically be cleaned because of a crystallized sugar build up which forms on the fittings, lines and taps commonly referred to as “beerstore”. If the “beerstore” is not completely removed in a cleaning process it will leave an unsanitary surface that can harbor microorganisms which will cause an undesirable flavour and/or cause the beer to go flat. Sufficient “beerstore” will also lead to dispense problems ranging from ‘wild’ beer (too much foam) to flat beer, regardless of the carbonation levels or quality (age) of the beer in the keg.

Scheduled line and faucet cleaning, with the proper equipment and chemical, eliminates the build-up of “beerstore” protecting the integrity of the product and condition of the dispense system and seals. The dispenser (beer) line should be cleaned approximately once every three (3) weeks or every other keg - which ever comes first. The dispenser faucet should be cleaned on a weekly basis or prior to every use if not used on a regular basis.

Note: If you have trouble manipulating the faucet lever, this is usually indicative that it may require cleaning. **DO NOT** apply force to move the handle in this situation, as this will likely lead to damaging the handle or faucet, and will not be covered by your warranty.

A standard cleaning kit will perform approximately eight (8) scheduled line cleanings. Line cleaning kits are readily available and can be purchased through our after sales service department.

For more information please call 1-800-26-DANBY (1-800-263-2629).

VACATION

Short Vacations - Leave the keg cooler operating during vacations of less than three (3) weeks.

Long Vacations - If the appliance will not be used for several months, remove all contents and unplug the power cord. Clean and dry the interior thoroughly. To prevent odor and mold growth, leave the door open slightly.

MOVING YOUR KEG COOLER

- Remove all the contents.
- Securely tape down all loose items inside your keg cooler.
- Tape the door shut.
- Be sure the keg cooler stays secure in the upright position during transportation. Also protect the outside of the keg cooler with a blanket or similar item.



Troubleshooting

Danby Consumer Care: 1-800-263-2629

Hours of operation:

Monday to Thursday 8:30 am - 6:00 pm Eastern Standard Time

Friday 8:30 am - 4:00 pm Eastern Standard Time

PROBLEM	POSSIBLE CAUSE
The unit does not operate	<ul style="list-style-type: none"> • Not plugged in • The circuit breaker tripped or blown fuse
Turns on and off frequently	<ul style="list-style-type: none"> • The room temperature is hotter than normal • The door is open too often • The door is not closed completely • The temperature control is not set correctly • The door gasket does not seal properly • The unit does not have proper clearance
Vibrations	<ul style="list-style-type: none"> • Check that the keg cooler is level
The keg cooler seems to make too much noise	<ul style="list-style-type: none"> • The rattling noise may come from the flow of refrigerant, which is normal • Gurgling, caused by liquid refrigerant cycling is normal • Contraction and expansion of the inside walls may cause popping and crackling noises • The keg cooler is not level
The door will not close properly	<ul style="list-style-type: none"> • The keg cooler is not level • The door was reversed and not properly reinstalled • The gasket is dirty • The shelves or stand are out of position • The keg is not properly centered in the unit • The casters are not attached
Excessive beer foam	<ul style="list-style-type: none"> • Ensure the beer line hose from the tower and the CO₂ air line hose from the CO₂ regulator are attached to the correct connections on the coupler; beer line to the top of the coupler, CO₂ air line to the side of the coupler • Check that there are no leaks in any connections • Ensure that the reed valve in the CO₂ connection at the coupler has a hole in it • The CO₂ pressure may be set too high; try turning the pressure down • Ensure that the valve spool plastic rod is inserted into the coupler
Weak beer flow	<ul style="list-style-type: none"> • Ensure the beer line hose from the tower and the CO₂ air line hose from the CO₂ regulator are attached to the correct connections on the coupler; beer line to the top of the coupler, CO₂ air line to the side of the coupler • Check that there are no leaks in any connections • Ensure that the reed valve in the CO₂ connection at the coupler has a hole in it • The CO₂ pressure may be set too low; try turning the pressure up • Ensure there are no bends or kinks in any of the hoses that could impede flow

LIMITED IN-HOME APPLIANCE WARRANTY

This quality product is warranted to be free from manufacturer's defects in material and workmanship, provided that the unit is used under the normal operating conditions intended by the manufacturer.

This warranty is available only to the person to whom the unit was originally sold by Danby Products Limited (Canada) or Danby Products Inc. (U.S.A.) (hereafter "Danby") or by an authorized distributor of Danby, and is non-transferable.

TERMS OF WARRANTY

Plastic parts, are warranted for thirty (30) days only from purchase date, with no extensions provided.

First year During the first twelve (12) months, any functional parts of this product found to be defective, will be repaired or replaced, at warrantor's option, at no charge to the ORIGINAL purchaser.

To obtain service Danby reserves the right to limit the boundaries of "In Home Service" to the proximity of an Authorized Service Depot. Any appliance requiring service outside the limited boundaries of "In Home Service", it will be the consumer's responsibility to transport the appliance (at their own expense) to the original retailer (point of purchase) or a service depot for repair. See "Boundaries of In Home Service" below. Contact your dealer from whom your unit was purchased, or contact your nearest authorized Danby service depot, where service must be performed by a qualified service technician. If service is performed on the units by anyone other than an authorized service depot, or the unit is used for commercial application, all obligations of Danby under this warranty shall be void.

Boundaries of in-home service If the appliance is installed in a location that is 100 kilometres (62 miles) or more from the nearest service centre your unit must be delivered to the nearest authorized Danby Service Depot, as service must only be performed by a technician qualified and certified for warranty service by Danby. Transportation charges to and from the service location are not protected by this warranty and are the responsibility of the purchaser.

Nothing within this warranty shall imply that Danby will be responsible or liable for any spoilage or damage to food or other contents of this appliance, whether due to any defect of the appliance, or its use, whether proper or improper.

EXCLUSIONS

Save as herein provided, by Danby, there are no other warranties, conditions, representations or guarantees, express or implied, made or intended by Danby or its authorized distributors and all other warranties, conditions, representations or guarantees, including any warranties, conditions, representations or guarantees under any Sale of Goods Act or like legislation or statute is hereby expressly excluded. Save as herein provided, Danby shall not be responsible for any damages to persons or property, including the unit itself, howsoever caused or any consequential damages arising from the malfunction of the unit and by the purchase of the unit, the purchaser does hereby agree to indemnify and hold harmless Danby from any claim for damages to persons or property caused by the unit.

GENERAL PROVISIONS

No warranty or insurance herein contained or set out shall apply when damage or repair is caused by any of the following:

- 1) Power failure.
- 2) Damage in transit or when moving the appliance.
- 3) Improper power supply such as low voltage, defective house wiring or inadequate fuses.
- 4) Accident, alteration, abuse or misuse of the appliance such as inadequate air circulation in the room or abnormal operating conditions (extremely high or low room temperature).
- 5) Use for commercial or industrial purposes (i.e., If the appliance is not installed in a domestic residence).
- 6) Fire, water damage, theft, war, riot, hostility, acts of God such as hurricanes, floods etc.
- 7) Service calls resulting in customer education.
- 8) Improper Installation (i.e., building-in of a free standing appliance or using an appliance outdoors that is not approved for outdoor application). Proof of purchase date will be required for warranty claims; so, please retain bills of sale. In the event warranty service is required, present this document to our AUTHORIZED SERVICE DEPOT.

Warranty Service
In-home

Danby Products Limited
PO Box 1778, Guelph, Ontario, Canada N1H 6Z9
Telephone: (519) 837-0920 FAX: (519) 837-0449

1-800-263-2629
07/14

Danby Products Inc.
PO Box 669, Findlay, Ohio, U.S.A. 45840
Telephone: (419) 425-8627 FAX: (419) 425-8629

Merci d'avoir choisi Danby

Nous savons que vous êtes excité. Nous sommes aussi! Cependant, le plus que vous vous familiarisez avec votre nouvel appareil, le mieux va être votre expérience. Nous suggérons donc de **lire ces instructions avant connecter votre nouvel appareil**. Ce manuel contient des informations opérationnel important qui vous aidera à faire un usage pleine de les caractéristiques techniques disponibles dans votre appareil Danby. Le manuel contient également des informations conçu pour améliorer la fiabilité et la sécurité de votre appareil ainsi que des conseils pour le maintien, pour vous assurez des années de bonheur.

Se il vous plaît visitez www.danby.com pour accéder les outils libre-service, FAQ et plus encore. Si jamais vous avez besoin d'aide supplémentaire, s'il vous plaît appelez 1-800-26-Danby (1-800-263-2629). S'il vous plaît ayez votre facture d'achat, le numéro de modèle, et le numéro de série près durant l'appel.

Remarque : Ces renseignements seront nécessaires si votre appareil a besoin d'entretien ou pour les demandes de renseignements généraux. Pour bénéficier d'une opération de maintenance ou de dépannage, le reçu original sera exigé.

Numéro de modèle : _____

Numéro de serie : _____

Date d'achat : _____

BESOIN D'ASSISTANCE ?

Veillez trouver quelques conseils avant de faire appel à nos services, cela nous aidera à mieux vous servir :

Lisez ce guide :

Il comprend des instructions pour l'utilisation et l'entretien adapté de votre appareil.

Si votre nouvel appareil est endommagé :

Contactez immédiatement le revendeur (ou le fabricant).

Gagnez du temps et de l'argent :

Avant de faire appel à nos services, consultez à nouveau la section « Dépannage ». Cette section vous aidera à résoudre des problèmes courants.

Si une réparation est nécessaire, ne vous inquiétez pas, la solution est au bout du fil.



1-800-26-**Danby**
(1-800-263-2629)



Consignes de sécurité importantes

LIRE ET SUIVRE TOUTES LES INSTRUCTIONS DE SÉCURITÉ



AVERTISSEMENT IMPORTANT

DANGER: Risque de piégeage d'enfant. Avant de jeter votre appareil:

- Enlever les portes.
- Laissez les étagères en place afin que les enfants ne grimpent pas facilement.

N'ATTENDEZ PAS! FAIS LE MAINTENANT!

EXIGENCES DE FONCTIONNEMENT

Pour éviter toute difficulté d'installation ou de fonctionnement, lisez attentivement ces instructions.

- Cet appareil doit être mis à la terre. Branchez le seulement dans une prise correctement mise à la terre.
- Ne faites pas fonctionner cet appareil s'il a un cordon ou fiche électrique endommagé ou si l'appareil a été endommagé ou échappé. Si le cordon d'alimentation est endommagé, il doit être remplacé par le fabricant, son agent de service ou une personne qualifiée pour éviter tout risque.
- Ne permettez jamais à un enfant de faire fonctionner l'appareil, de jouer avec ou de ramper à l'intérieur.
- Ne nettoyez jamais de pièces de l'appareil avec un liquide inflammable. Les vapeurs peuvent constituer un risque d'incendie ou provoquer une explosion.
- N'entreposez et n'utilisez pas d'essence ou d'autres liquides ou vapeurs inflammables à proximité de cet appareil ou de tout autre appareil. Les vapeurs peuvent constituer un risque d'incendie ou provoquer une explosion.
- N'épilez pas le cordon d'alimentation qui est équipé de cet appareil.
- Gardez le cordon électrique éloigné des sources de chaleur.
- Ne plongez pas le cordon d'alimentation, la fiche ou l'appareil lui-même dans l'eau.
- N'utilisez pas cet appareil près de bassins d'eau, par exemple dans un sous-sol détrempe, près d'une piscine ou d'un évier.
- N'utilisez pas de produits chimiques ou vapeurs corrosives dans/près de cet appareil.
- N'utilisez cet appareil que pour les fins aux quelles il est conçu comme indiqué dans ce guide.
- Ne pas entreposer les contenants ouverts dans cet appareil.
- Ne recouvrez pas ou n'obstruez aucune ouverture de l'appareil.
- Ne placez pas les articles périssables de nourriture dans votre appareil. (Par exemple, les viandes et les produits laitiers). Cet appareil n'est pas assez froid pour être sécuritaire pour les aliments.
- Cet appareil est conçu pour un usage domestique à l'intérieur seulement. N'entreposez ni n'utilisez pas cet appareil à l'extérieur.
- Cet appareil ne devrait être réparé que par du personnel qualifié. Pour tout examen, réparation ou réglage, contactez votre centre de service le plus rapproché.
- Avant de brancher l'appareil à une source d'alimentation, laissez - le debout pendant environ 6 heures; Ceci réduira la possibilité d'un dysfonctionnement dans le système de refroidissement de la manipulation pendant le transport.

SAUVE CES INSTRUCTIONS!



Consignes de sécurité importantes

LIRE ET SUIVRE TOUTES LES INSTRUCTIONS DE SÉCURITÉ

MISE À LA TERRE

Cet appareil doit être mis à la terre. Dans l'éventualité d'un court-circuit, la mise à la terre procure un chemin direct contournement du courant pour prévenir l'électrocution des manipulateurs de l'appareil. L'appareil est muni d'un cordon électrique comprenant un fil de mise à la terre et une fiche de terre. Branchez la fiche dans une prise de courant correctement installée et mise à la terre.

AVERTISSEMENT - Une fiche de mise à la terre mal branchée peut entraîner un risque d'incendie, de choc électrique ou de blessures aux personnes qui utilisent l'appareil. Si vous n'êtes pas certain que l'appareil est correctement mis à la terre, consultez un préposé du service qualifié.

Si la prise murale est une prise à 2 branches, c'est votre obligation, et la responsabilité vous en incombe, de la faire remplacer par une prise à trois branches adéquatement mise à la terre.

Pour un meilleur rendement et pour éviter que les ampoules d'éclairage de la résidence soient affectées d'un affaiblissement de tension, ou que le fusible ou disjoncteur du circuit ne grille ou ne se déclenche, dédiez un circuit individuel d'alimentation à la machine à glaçons.

N'UTILISEZ JAMAIS DE FIL DE RALLONGE

Branchez l'appareil à son propre circuit de 115V. N'utilisez pas de rallonge électrique pour brancher votre appareil. Ne branchez pas l'appareil à une prise femelle multiple qui sera également utilisée pour d'autres appareils électriques. N'épissez pas le cordon électrique. N'utilisez pas d'adaptateur de fiche avec cet appareil. N'utilisez pas de cordon de rallonge avec cet appareil.

EXIGENCES DE SÉCURITÉ

Assurez-vous que les composants doivent être remplacés par des composants similaires et que l'entretien doit être effectué par le personnel de maintenance agréé en usine, afin de minimiser le risque d'allumage dû à des pièces incorrectes ou à un mauvais entretien.

Cet appareil doit être mis à la terre. En cas de court-circuit électrique, la mise à la terre réduit le risque de choc électrique en fournissant un fil d'échappement pour le courant électrique. La plaque signalétique en série indique la tension et la fréquence pour lesquelles l'appareil est conçu.

ATTENTION! DANGER D'EXPLOSION! Risque d'incendie ou d'explosion dû à la perforation des tuyaux de réfrigérant. N'utilisez pas d'objets tranchants pour faciliter le dégivrage. Veuillez manipuler avec précaution. Garder les matériaux et les vapeurs inflammables tels que l'essence à l'écart du réfrigérateur. Utiliser un nettoyeur non inflammable.

L'élimination de cet appareil doit être conforme aux règlements fédéraux et locaux.

Cet appareil n'est pas destiné à être utilisé par des personnes (y compris des enfants) dont les capacités physiques, sensorielles ou mentales peuvent être différentes ou réduites, ou qui manquent d'expérience ou de connaissances, sauf si ces personnes reçoivent une supervision ou une formation pour faire fonctionner l'appareil par une personne responsable de leur sécurité.

AVERTISSEMENT: Veillez à ce que les ouvertures de ventilation, dans l'enceinte de l'appareil ou dans la structure intégrée, ne soient pas obstruées.

AVERTISSEMENT: N'utilisez pas de dispositifs mécaniques ou d'autres moyens pour accélérer le processus de dégivrage, autres que ceux recommandés par le fabricant.

AVERTISSEMENT: Ne pas endommager le circuit frigorigène.

AVERTISSEMENT: N'utilisez pas d'appareils électriques à l'intérieur des compartiments de l'appareil, sauf s'ils sont du type recommandé par le fabricant.

SAUVE CES INSTRUCTIONS!



Consignes de sécurité importantes

LIRE ET SUIVRE TOUTES LES INSTRUCTIONS DE SÉCURITÉ

AVERTISSEMENT: LE GAZ CARBONIQUE PEUT ÊTRE DANGEREUX!

Les bouteilles de gaz carbonique chargées contiennent du gaz hautement pressurisé, qui peut présenter un danger s'il n'est pas manipulé correctement. Avant l'installation, lisez et assurez-vous de bien comprendre les procédures suivantes concernant les bouteilles de gaz carbonique:

1. Avant de l'installer, vérifiez toujours la date d'essai du D.O.T. (Ministère des transports), située sur le col de la bouteille. Si l'essai a eu lieu il y a plus de cinq (5) ans, retournez la bouteille de gaz à votre fournisseur.
2. Branchez toujours la bouteille de gaz carbonique à un régulateur. Sans quoi, l'ouverture de la valve de la bouteille pourrait causer une explosion qui risque d'entraîner la mort ou des blessures.
3. Toujours suivre les procédures correctes lorsque les bouteilles sont changées selon les codes locaux.
4. Fixez toujours la bouteille de gaz carbonique en position verticale.
5. Gardez toujours la bouteille de gaz carbonique à l'abri de la chaleur. Les bouteilles de gaz carbonique doivent être rangées préférentiellement dans les pièces les plus froides de l'établissement, à 70°F (21°C). Elles doivent toujours être fixées en position verticale..
6. Toujours ventiler et quitter la zone immédiatement après toute fuite de gaz carbonique.
7. Ne brancher jamais la bouteille de gaz carbonique directement sur le fût de bière.
8. Ne jamais laisser tomber ni jeter un cylindre de gaz carbonique.
9. Ne branchez jamais une bouteille sans au moins une pression de sécurité. Il existe deux mécanismes de sécurité dans le système de pression;
 - Un au niveau du régulateur de gaz carbonique.
 - Un au niveau du coupleur de la bouteille, sur la conduite de pression du gaz.

Remarque : Le régulateur et le coupleur de fût compris avec cet appareil constituent de tels mécanismes de sécurité.



AVERTISSEMENT DE LE GAZ CARBONIQUE

Si la respiration devient difficile et / ou la tête commence à souffrir, des concentrations anormales de dioxyde de carbone (CO₂) peuvent être présentes dans la région.

FERMER LA VALVE MAIN SUR LA BOUTEILLE DE GAZ CARBONIQUE, VENTILER ET LAISSER LA CHAMBRE IMMEDIATEMENT!



AVERTISSEMENT IMPORTANT

La bière est facile d'accès avec la glacière de bière pression de Danby. La glacière n'est cependant pas conçue pour offrir de la bière aux personnes n'ayant pas l'âge légal pour consommer. Danby n'est pas responsable de la consommation ou utilisation illégales de la bière.

RAPPELEZ-VOUS : LA MODÉRATION A BIEN MEILLEUR GOÛT! LE VOLANT ET L'ALCOOL NE FONT PAS BON MÉNAGE!

SAUVE CES INSTRUCTIONS!

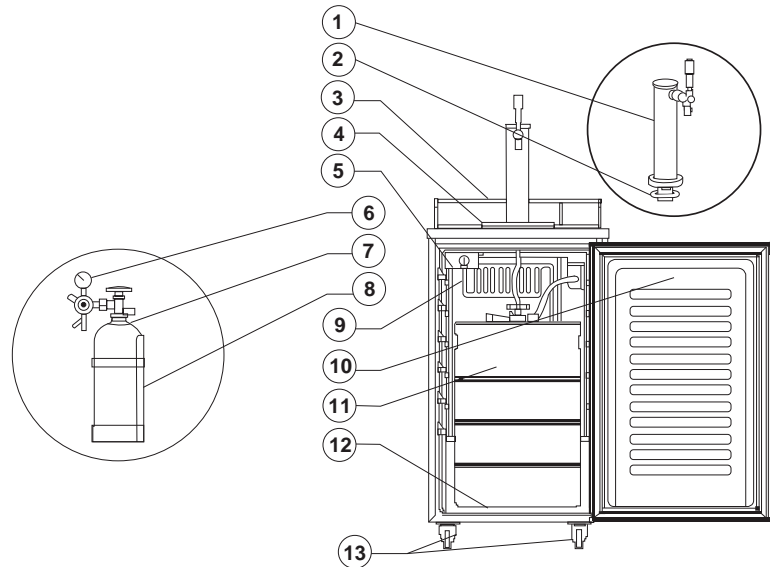


Instructions d'installation

ACCESSOIRES FOURNIS

Enlevez et inspectez tous les accessoires fournis avec cet appareil pour vous assurer qu'ils sont présents et en bon état. Si certains accessoires manquent ou ne sont pas en bon état, veuillez appeler Danby au numéro sans frais indiqué ci-dessous pour parler à l'un de nos représentants du service à la clientèle. **(1-800-263-2629)**

1. Colonne de bière
2. Joint d'étanchéité en caoutchouc (sera peut-être pas nécessaire en tout configurations)
3. Barre de retenue
4. Plateau perforé
5. Thermostat réglable
6. Régulateur de CO₂
7. Bouteille de CO₂ gazeux
8. Support de la bouteille de CO₂ gazeux
9. Évaporateur
10. Porte
11. Baril à bière (non fourni)
12. Plaque métallique
13. Roulettes à blocage (4)



AVANT D'UTILISER VOTRE GLACIÈRE DE BIÈRE PRESSION

- Enlevez l'emballage extérieur et intérieur.
- Assurez-vous que vous avez en main toutes les pièces suivantes:
 - 2 barre de retenue
 - 1 plateau perforé (2 pièces)
 - 1 support pour bouteille de CO₂
 - 1 régulateur de CO₂
 - 1 bouteille vide de CO₂
 - 1 tuyau (coloré) de CO₂
 - 1 tuyau de bière
 - 1 tirant pour le baril à bière
 - 1 colonne de bière
 - 1 poignée de tirage (robinet de la colonne de bière)
 - 4 bouchons pour les orifices de la barre de retenue
 - 1 plaque métallique pour le fond du boîtier
 - 3 tablettes en fil d'acier
 - 1 brides de serrage en acier pour le tuyau (coloré)
 - 2 rondelles plastique (pour les roulettes à l'avant)
 - 4 roulettes (2 à l'avant avec des serrures)
- Avant de brancher la glacière de bière pression, laissez-la en position verticale pendant environ 6 heures. Cela réduira le risque que le système de refroidissement subisse une défaillance causée par la manutention lors du transport.
- Nettoyez la surface intérieure avec de l'eau tiède, au moyen d'un chiffon doux.



Instructions d'installation

INSTALLATION DU GLACIÈRE DE BIÈRE PRESSION

- Cet appareil est conçu pour être autonome; il ne doit pas être encastré.
- Placez votre glacière de bière pression sur un sol suffisamment solide pour le supporter lorsqu'il est plein.
- Laissez un espace libre de 8-12 cm (3-5 pouces) autour du glacière de bière pression (à l'arrière et sur les côtés), ce qui permet à l'air de circuler suffisamment pour refroidir le compresseur.
- Installez le glacière de bière pression loin des rayons directs du soleil et de toute source de chaleur (four, appareil de chauffage, radiateur, etc.). Les rayons directs du soleil affectent le revêtement acrylique et les sources de chaleur peuvent augmenter la consommation électrique. Les températures extrêmement basses peuvent également causer un mauvais fonctionnement du glacière de bière pression.
- Cet appareil n'est pas conçu pour être utilisé à l'extérieur (p. ex., garage, porche, patio, etc.).
- Évitez d'installer le glacière de bière pression à un endroit où l'humidité est excessive.
- Branchez le glacière de bière pression sur une prise murale exclusive, installée correctement et avec mise à la terre. Sous aucun prétexte, vous ne devez couper ou enlever la troisième broche (mise à la terre) de la fiche du cordon électrique. Pour toute question relative à l'alimentation ou à la mise à la terre, faites appel à un électricien qualifié ou à un centre de service autorisé.
- Après avoir branché l'appareil sur une prise murale, laissez l'appareil refroidir pendant 2 à 3 heures avant de placer quoi que ce soit dans le compartiment du glacière de bière pression.



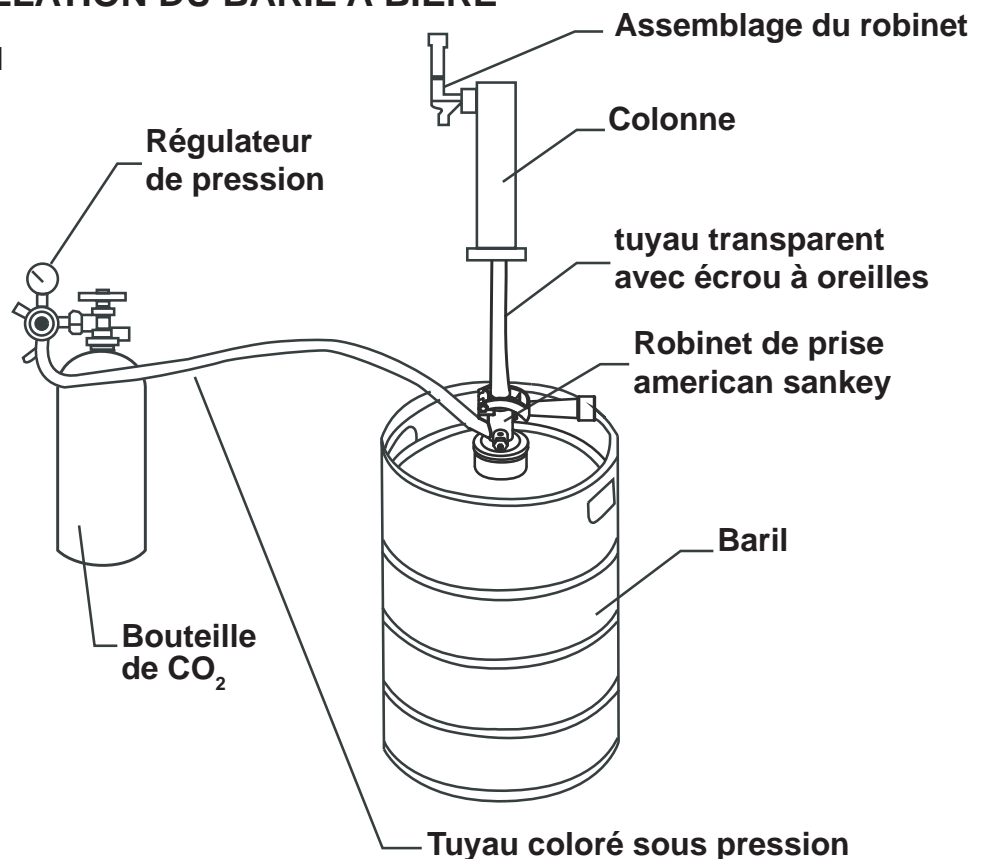
AVERTISSEMENT

LE CO₂ GAZEUX PEUT ÊTRE DANGEREUX

Les bouteilles de CO₂ contiennent du gaz comprimé à haute pression qui peut être dangereux s'il n'est pas manipulé correctement. Assurez-vous de lire et de comprendre les procédures suivantes relatives aux bouteilles de CO₂ avant l'installation.

INSTRUCTIONS D'INSTALLATION DU BARIL À BIÈRE

Croquis d'installation du baril

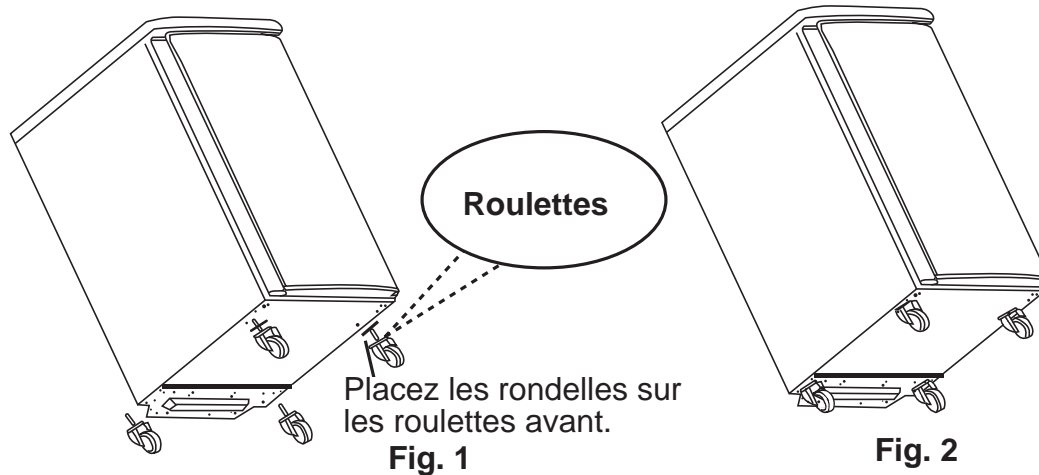




Instructions d'installation

INSTRUCTIONS D'INSTALLATION DU BARIL À BIÈRE

Installez les quatre roulettes. Les deux roulettes de verrouillage doivent être placées à l'avant. Quatre trous de vis ont été pré-perçés dans le fond de l'unité à chaque angle pour chaque roulette. Placez les rondelles en plastique fournies sur les roulettes avant avant de les installer.



Guide de freinage des roulettes

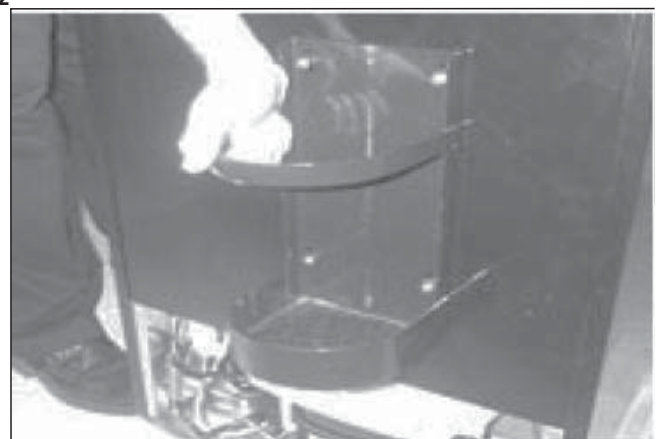
Les deux roulettes avant sont fournies avec des freins pour s'assurer que l'unité ne se déplace pas excessivement pendant l'utilisation. Il est recommandé d'engager les freins pendant que l'appareil est utilisé pour éviter d'endommager l'appareil, son contenu ou vos biens personnels.



Installation du support de la bouteille de CO₂

Installez le support métallique fourni sur les 4 goujons qui se trouvent sur la paroi arrière extérieure.

Alignez les orifices du support avec les goujons et appuyez fermement vers le bas.





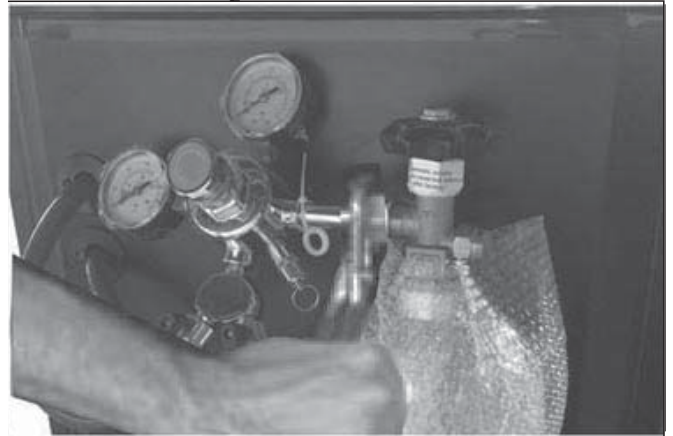
Instructions d'installation

Installation de la bouteille de CO₂ et du régulateur de CO₂

La bouteille de CO₂ fournie n'est pas remplie. La bouteille doit être remplie de CO₂ avant l'utilisation.

Installez votre bouteille complètement remplie dans son support.

Fixez le régulateur de CO₂ à la bouteille en vissant l'érou du régulateur sur le robinet de la bouteille, en vous assurant que la rondelle est bien insérée dans l'érou de raccordement. Serrez complètement au moyen d'une clé ajustable (non fournie) et assurez-vous qu'il n'y a aucune fuite - pas aucun bruit de sifflement.

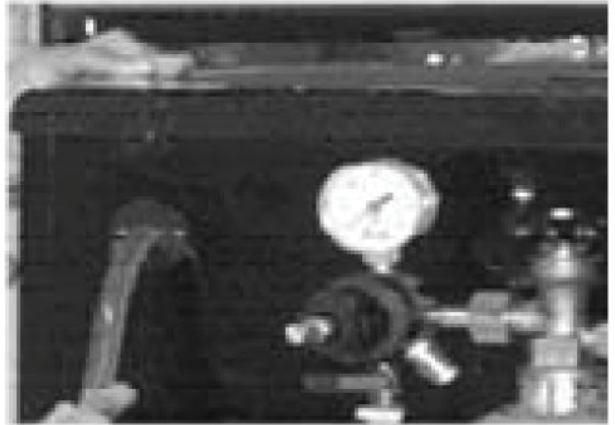


Installation du conduit d'air extérieur CO₂ et du tuyau d'air CO₂ au régulateur

Retirez la fiche située à l'arrière de l'armoire, dans le coin supérieur gauche. Conservez-le pour utilisation future, au cas où vous décideriez de convertir l'appareil en réfrigérateur.

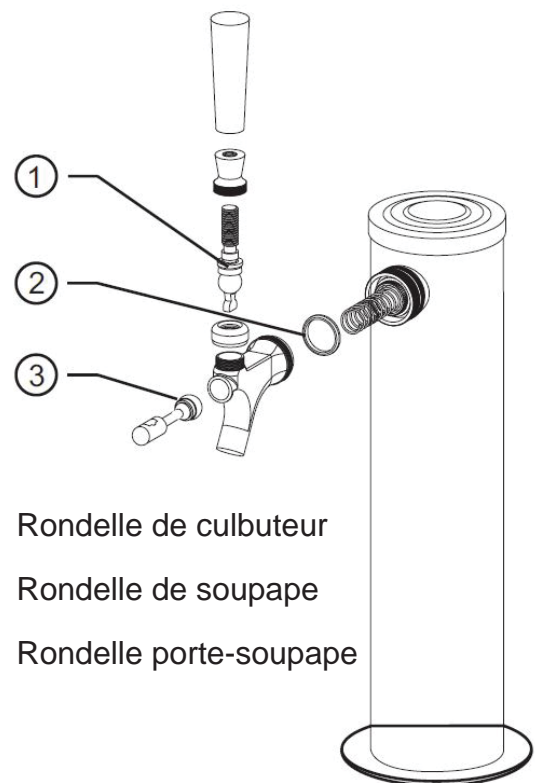
Alimenter la conduite de gaz à travers le coffret et sortir par le trou découvert.

Attachez l'extrémité ouverte du tuyau à la connexion du barbillon de tuyau sur le régulateur. Fixer le tuyau en utilisant une pince fournie. Utilisez une pince ou un tournevis pour serrer la pince pour éviter les fuites.



Installation de la colonne de bière

- Enlevez le bouchon supérieur en le tournant et en tirant dessus et conservez-le pour utilisation future, au cas où vous décideriez de convertir l'appareil en réfrigérateur.
- Déroulez la conduite de bière (tuyau transparent) qui se trouve autour de la colonne et insérez la conduite de bière et l'érou à oreilles en passant par l'orifice découvert sur le dessus.
- Verrouillez l'assemblage de la colonne de bière sur le dessus et assurez-vous de positionner le robinet de bière de façon à ce qu'il soit aligné avec le devant du boîtier.
- Le joint en plastique peut être utilisé pour resserrer le raccord entre la colonne et la glacière, au besoin. Si la colonne de bière ne peut être tournée pour le verrouillage, essayez d'enlever le joint en caoutchouc. (Le joint en caoutchouc peut ne pas être requis dans toutes les configurations de l'unité).
- Si le robinet de la tour coule ou si la bière est très mousseuse, assurez-vous que les rondelles à l'intérieur du robinet sont intactes. Remplacer les rondelles avec des pièces de rechange de la poche d'accessoires, si nécessaire.



1. Rondelle de culbuteur
2. Rondelle de soupape
3. Rondelle porte-soupape



Instructions d'installation

Installation de la plaque métallique protectrice

La plaque métallique de protection doit être installée au bas de l'intérieur de l'armoire. La plaque doit toujours être installée lorsque le bail est en place afin de ne pas endommager le fond du boîtier inutilement.

Installation du baril à bière

- Positionnez le baril à bière directement devant la porte ouverte. Soulevez doucement le baril à bière par les poignées uniquement.
- Pour placer le baril à bière dans le boîtier, appuyez les genoux derrière le baril à bière. Soulevez le devant du baril juste assez pour que le bord avant du baril repose sur le bord avant du boîtier inférieur du glacière de bière pression.
- Prenez les poignées du baril et faites-le glisser jusqu'au fond du boîtier.



Remarque: Deux personnes doivent soulever le fût pour éviter les blessures au dos.

Installation du tuyau de CO₂

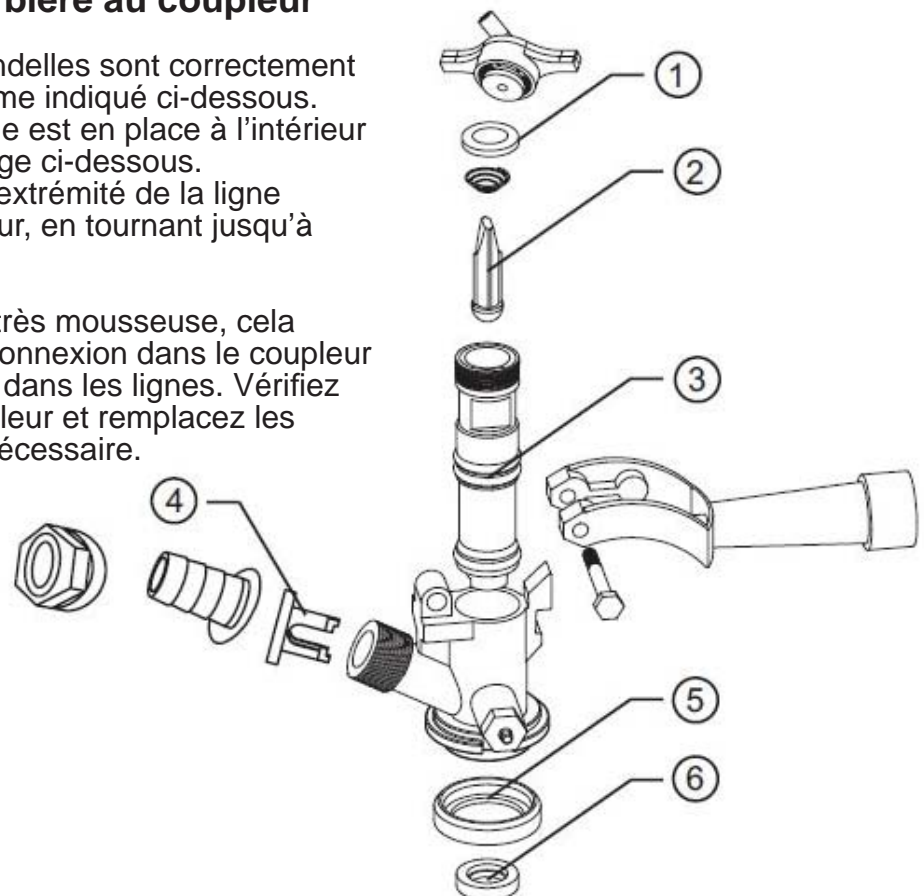
Fixez l'extrémité du tuyau d'air (coloré) fourni au raccord du tuyau sur le côté du coupleur. Assurez-vous que le clapet de retenue est insérée dans la connexion, le numéro 4 sur l'image ci-dessous.

Si, après assemblage, la bière ne coulera pas, en sorte que le clapet anti-retour a un petit trou. S'il n'y a pas de trou dans le clapet anti-retour, le CO₂ ne peut pas pénétrer dans la canalisation et la bière ne s'écoule pas.

Raccordement de la tour de bière au coupleur

- Assurez-vous que toutes les rondelles sont correctement insérées dans le coupleur, comme indiqué ci-dessous.
- Assurez-vous le tige en plastique est en place à l'intérieur du coupleur, numéro 2 sur l'image ci-dessous.
- Placez l'écrou à oreilles fixé à l'extrémité de la ligne de bière dans le haut du coupleur, en tournant jusqu'à serrage.

Si, après assemblage, la bière est très mousseuse, cela signifie très probablement qu'une connexion dans le coupleur est une fuite et que de l'air pénètre dans les lignes. Vérifiez toutes les connexions dans le coupleur et remplacez les rondelles du sac d'accessoires si nécessaire.



1. Rondelle de soupape
2. Tige en plastique
3. Rondelle de type O
4. Clapet anti-retour
5. Rondelle de soupape
6. Rondelle de soupape



Instructions d'installation

Installation du tirant du baril

Insérez le tirant du baril fourni dans le col à verrouillage du baril à bière et tournez-le dans le sens des aiguilles d'une montre pour le verrouiller en place, en vous assurant qu'il est sur la position fermée, avec la poignée vers le haut.

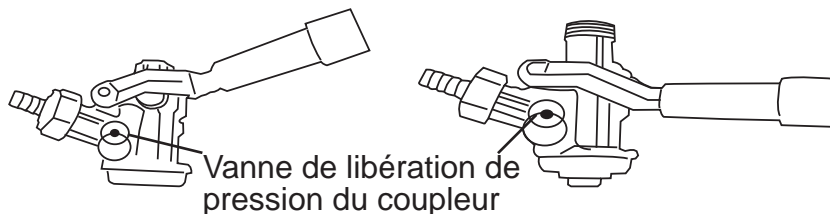
Comment percer un baril de bière

- Assurez-vous que le robinet de CO₂ est fermé et que le robinet secondaire du régulateur est sur la position fermée.
- Tirez sur la soupape de surpression qui se trouve sur le tirant et relâchez-la pour purger toute pression d'air.
- Assurez-vous que le robinet de la colonne de bière est sur la position fermée.
- Tirez sur la poignée de perçage vers l'extérieur et appuyez vers le bas jusqu'à ce qu'elle se verrouille en place. Le baril est maintenant percé.

Remarque: Si un fût est très grand, il peut être nécessaire de raccorder le coupleur au fût avant d'insérer le fût dans le frigidaire de fût.

Position fermée du coupleur

Position ouverte du coupleur



Ouverture du robinet principal de la bouteille de CO₂

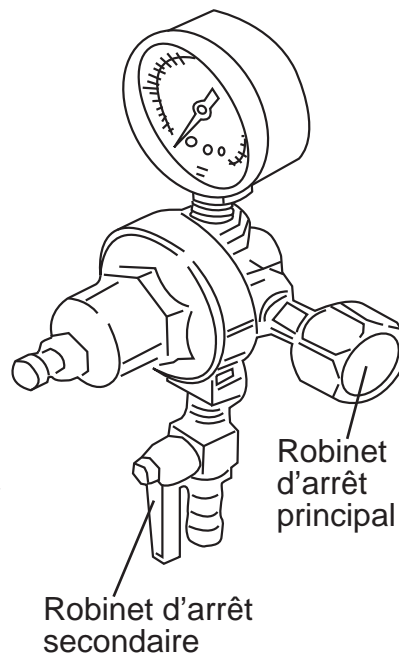
- Assurez-vous que le robinet d'arrêt secondaire (illustré en position ouverte ci-dessous) est fermé. Pour ouvrir le robinet principal de la bouteille de CO₂, tournez-le lentement dans le sens contraire des aiguilles d'une montre jusqu'à ce qu'il soit complètement ouvert.
- Vous verrez que l'aiguille de la jauge du régulateur commencera à grimper.

Réglage du régulateur de CO₂

La jauge surveille la basse pression interne du baril et doit être réglée afin de produire une lecture entre 8 et 12 lb/po². La pression peut être réglée au besoin. Si la bière est très mousseuse, essayez de tourner la pression vers le bas. Si le débit de la bière est très faible, essayez de transformer la pression.

Remarque: Après avoir réglé la pression, attendre 5 à 10 minutes avant de tenter de verser une autre bière afin de permettre une égalisation de la pression.

- Desserrez le contre-écrou de réglage portant la marque 2.
- Tournez l'écrou du régulateur portant la marque 3.
 - Pour augmenter la pression, tournez l'écrou dans le sens des aiguilles d'une montre.
 - Pour réduire la pression, tournez l'écrou dans le sens contraire des aiguilles d'une montre.
- Resserrez le contre-écrou 2.
- Ouvrez le robinet d'arrêt secondaire pour que le CO₂ puisse pénétrer dans le baril.
- Attendez plusieurs minutes, jusqu'à ce que le baril atteigne la bonne pression. Il est possible que la jauge du régulateur baisse pendant ce processus.



Remarque: Écoutez le sifflement le long de toutes les connexions pour identifier s'il ya des fuites.

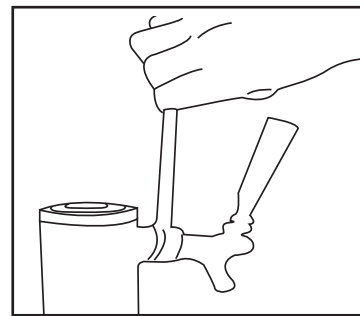


Instructions d'installation

Clé pour raccords de tuyaux

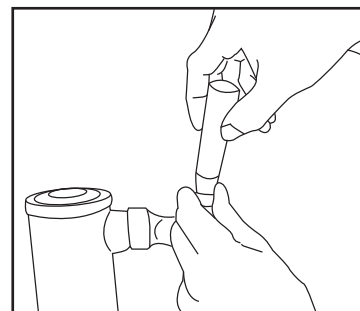
Une clé pour raccords de tuyaux (fournie) pour enlever ou serrer les raccords.

Remarque : Pour éviter les fuites, utilisez la clé fournie pour resserrer davantage le robinet.



Levier en plastique

Fixez le levier en plastique noir (poignée de tirage) sur la partie supérieure du robinet en le serrant à la main jusqu'au bout dans le sens des aiguilles d'une montre, en tenant l'écrou argenté situé en-dessous afin qu'il ne tourne pas. Si le robinet dégoutte encore, vous avez peut-être trop serré l'écrou argenté; vous devrez peut-être desserrer l'écrou argenté d'un tour dans le sens contraire des aiguilles d'une montre (tel qu'illustré).



COMMENT SERVIR LA BIÈRE

- Gardez le baril à bière toujours froid.
- Ne laissez jamais sécher les conduites de bière.
- Prenez un verre à bière propre avant de verser.
- Tenez le verre à un angle de 45° jusqu'à ce qu'il soit plein aux deux-tiers; commencez alors à redresser le verre tout en continuant à le remplir.
- Assurez-vous de toujours pousser la poignée du robinet complètement vers l'arrière.

Formats de barils pouvant être utilisés dans votre glacière de bière pression

1/2 barril	59 litres	15.5 gallons	1984 onces	164 verres de 12 onces
1/4 barril	30 litres	7.8 gallons	992 onces	82 verres de 12 onces
1/6 barril	20 litres	5.2 gallons	661 onces	55 verres de 12 onces
1/8 barril	15 litres	4.0 gallons	496 onces	41 verres de 12 onces

Remarque: Le compartiment réfrigérateur ne peut pas accueillir le style "Coors" tonneau biseauté baril.

Remarque: Notre glacière de bière pression accepte des barils de format domestique ayant un diamètre maximal de 16-1/8 po et une hauteur maximale de 23-3/8 po. Confirmez avec votre distributeur que le baril a le bon format.

Remarque: Il est important de permettre au baril de se asseoir debout, tranquille, pendant 2 heures avant de taper.

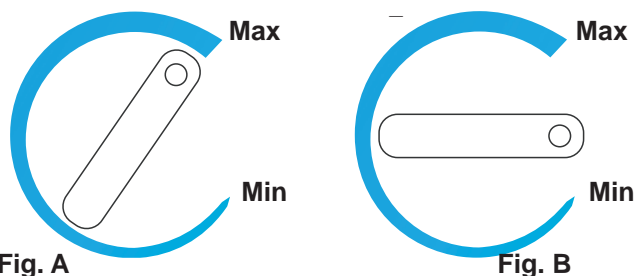


Consignes d'utilisation

RÉGLAGE DE LA TEMPÉRATURE

La température est contrôlée en ajustant de la commande du thermostat. Pour démarrer l'appareil et assurer un maximum de refroidissement rapide :

- Tournez la commande du thermostat dans la direction des aiguilles d'une montre à la position la plus éloignée (maximum) qui se trouve dans la section (épaisse) bleue foncée du cadran à échelle (Fig A.).
- Laissez l'unité de fonctionner à ce paramètre pour 3-4 heures.
- Lorsque le refroidissement maximum est atteint, tournez le bouton de contrôle de la température à une température modérée à moyen terme.
- Pour désactiver (pas de refroidissement), tournez le bouton de commande sur le "0" (arrêt) (Fig.B.).



DÉGIVRAGE AUTOMATIQUE

Il n'est pas nécessaire de dégivrer le glacière de bière pression. L'eau s'accumule et coule par la sortie de drainage qui se trouve dans la paroi arrière jusque dans un plateau situé au-dessus du compresseur, où elle s'évapore.

Remarque : Lorsque l'appareil est débranché, le courant coupé ou lorsqu'il est arrêté, vous devez attendre de 3 à 5 minutes avant de le remettre en marche. En cas de tentative de remise en marche avant l'expiration de ce délai, le compresseur ne se remettra pas en marche.

CONVERSION EN RÉFRIGÉRATEUR

1. Tournez le bouton de réglage sur la position ARRÊT (OFF).
2. Fermez le robinet principal de la bouteille de CO₂.
3. Fermez le robinet d'arrêt secondaire situé sur le tuyau du régulateur.
4. Fermez le raccord entre le baril à bière et le tirant du baril à bière.
5. Drainez toute la bière qui reste dans les conduites, le cas échéant. (Nous recommandons de nettoyer à ce point, s'il vous plaît voir la section Soins et entretien).
6. Débranchez la conduite de bière et le tuyau de CO₂ du tirant du baril.
7. Retirez le baril à bière.
8. Retirez le tirant du baril.
9. Débranchez le tuyau de la bouteille de CO₂.
10. Enlevez le tuyau de CO₂ du bouchon qui se trouve dans le boîtier.
11. Remettez le bouchon du tuyau dans l'arrière du boîtier.
12. Retirez la colonne de bière. Tirez également sur la conduite de bière par le dessus du boîtier pour la faire sortir.
13. Remettez le bouchon du dessus du boîtier.
14. Réglez la température à la valeur désirée.

Remarque : Afin de convertir l'appareil, vous devez débrancher la conduite de gaz du régulateur afin de le retirer de l'armoire.

Remarque : Si vous désirez une étagère dans le converti "Tout réfrigérateur" installer le plateau en le glissant dans l'endroit désiré dans l'unité.



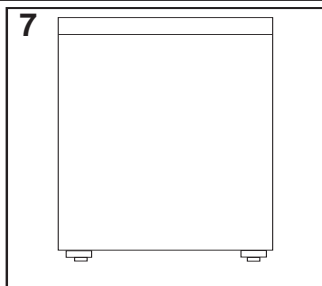
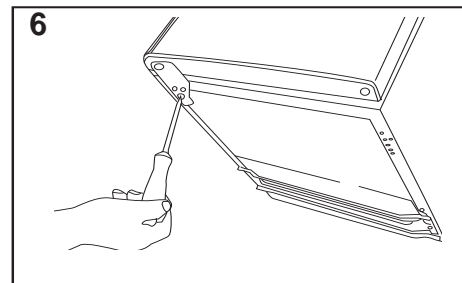
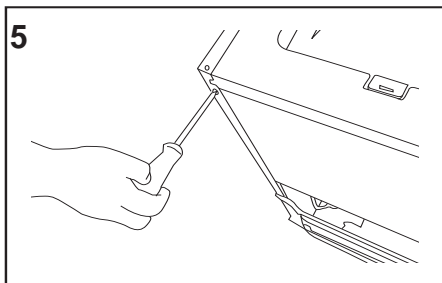
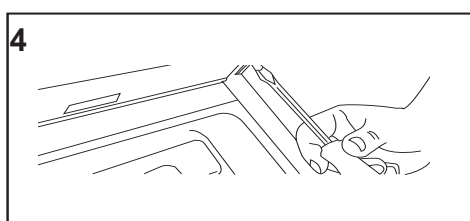
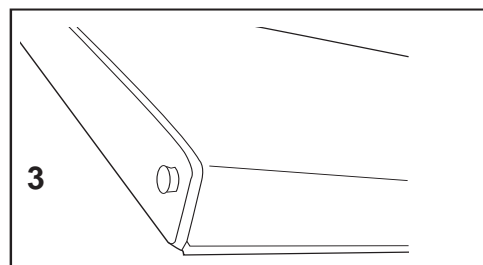
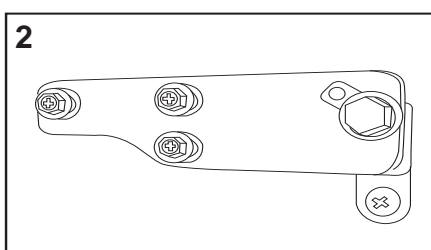
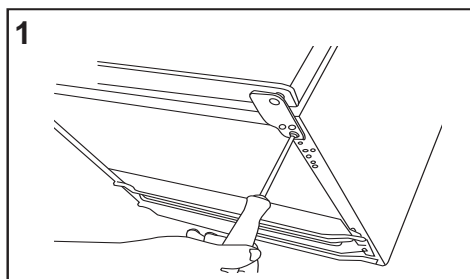
Consignes d'utilisation

INVERSION DE LA PORTE

Afin d'éviter de vous blesser ou de causer des dégâts matériels, nous vous recommandons de solliciter l'aide d'autrui lors des manœuvres liées à l'inversion de la porte.

Le glacière de bière pression est équipé d'une porte qui peut être réglée pour s'ouvrir du côté droit ou du côté gauche. Lors de la livraison, l'appareil est équipé d'une porte qui s'ouvre du côté gauche. Pour inverser la direction de l'ouverture, suivez les consignes que voici.

1. Desserrez les trois (3) vis qui se trouvent dans chaque ferrure d'articulation au moyen du tournevis cruciforme.
2. Enlevez les vis et les ferrures d'articulation. Mettez-les de côté.
3. Faites glisser la porte du réfrigérateur garde-manger vers le bas d'environ 15 cm (6 po) pour que l'axe de charnière supérieure sorte; ensuite, soulevez-la pour l'écarter l'appareil.
4. Au moyen du tournevis à lame plate, enlevez l'axe de charnière de la ferrure d'articulation supérieure. Remettez-la en place dans la ferrure d'articulation qui se trouve du côté opposé.
5. Enlevez la vis qui se trouve sur le côté du réfrigérateur garde-manger, là où la ferrure d'articulation doit être réinstallée.
6. Remettez la porte du réfrigérateur garde-manger dans la charnière supérieure en l'y glissant, en vous assurant qu'elle a la bonne orientation. Vissez la charnière inférieure en place sur le nouveau côté.
7. Assurez-vous que la porte est bien alignée horizontalement et verticalement et que les joints d'étanchéité sont fermés sur tous les côtés, avant de serrer définitivement la charnière inférieure.





Soins et entretien

NETTOYAGE DE VOTRE GLACIÈRE DE BIÈRE PRESSION

- Tournez le bouton de réglage de la température sur la position ARRÊT (OFF), débranchez le glacière de bière pression et retirez le contenu.
- Lavez les surfaces internes avec une solution d'eau chaude et de bicarbonate de soude. La solution doit contenir 2 cuillères à soupe de bicarbonate de soude dans un litre d'eau.
- Lavez les étagères et le socle avec une solution de détergent doux.
- Essuyez les commandes électriques avec un chiffon sec.
- Lavez l'extérieur du boîtier avec de l'eau chaude et un détergent liquide doux. Rincez bien et essuyez avec un chiffon doux propre et sec.

LE NETTOYAGE DE VOS LIGNES DE BIÈRE

Les conduites de bière doivent être nettoyées périodiquement à cause d'une accumulation de cristaux sur les raccords, conduites et bouchons, communément appelés « tartre de bière ». Si le tartre de bière n'est pas entièrement éliminé par un nettoyage, il laissera une surface insalubre propice à la propagation de microorganismes pouvant causer une saveur indésirable à la bière ou l'éventer. Une quantité suffisante de tartre de bière conduit aussi à des problèmes de distribution allant de la production de mousse abondante à la bière éventée, peu importe les niveaux de carbonisation ou de qualité (âge) de la bière dans le fût.

Un nettoyage planifié de la conduite et du robinet à l'aide de l'équipement et des produits chimiques appropriés élimine l'accumulation de tartre de bière, protège l'intégrité du produit et assure la bonne condition du système de distribution et des sceaux d'étanchéité. La conduite de distribution (de la bière) doit être nettoyée chaque trois (3) semaines environ ou à chaque deuxième fût – selon la première occurrence. Le robinet distributeur doit être nettoyé hebdomadairement ou avant chaque utilisation lors d'une utilisation irrégulière.

Remarque : Si vous avez de la difficulté à manipuler la poignée du robinet, il s'agit habituellement d'un signe qu'il doit être nettoyé. **N'APPLIQUEZ PAS** de force indue pour déplacer la poignée dans ce cas : vous pourriez endommager la poignée ou le robinet. Vous ne seriez pas couvert par votre garantie. Un jeu de nettoyage standard permet environ huit (8) nettoyages planifiés de la conduite.

Les jeux de nettoyage de la conduite sont disponibles et peuvent être achetés auprès de notre service après-vente.

Pour plus de renseignements, appelez au 1-800-26-DANBY (1-800-263-2629).

PÉRIODE DE VACANCES

Courtes vacances - Laissez le glacière de bière pression fonctionner pendant les vacances durant moins de trois semaines.

Longues vacances - Si l'appareil ne doit pas être utilisé pendant plusieurs mois, retirez tout ce qu'il contient et mettez-le hors tension. Nettoyez et asséchez à fond l'intérieur. Pour éviter la formation d'odeurs et la croissance de champignons, laissez la porte entr'ouverte.

DÉPLACEMENT DU GLACIÈRE DE BIÈRE PRESSION

- Videz tout le contenu.
- Fixez en place les articles détachés dans le glacière de bière pression au moyen de ruban adhésif.
- Maintenez la porte fermée avec du ruban adhésif.
- Assurez-vous que le glacière de bière pression reste bien en position verticale pendant son transport. Protégez aussi l'extérieur du glacière de bière pression avec une couverture ou l'équivalent.



Dépannage

Danby Soins du consommateur: 1-800-263-2629

Heures d'ouverture:

Lundi à Jeudi 8 h 30 à 18 h, heure normale de l'Est

Vendredi de 8 h 30 à 16 h, heure normale de l'Est

PROBLÈME	CAUSE POSSIBLE
L'appareil ne fonctionne pas	<ul style="list-style-type: none"> Appareil débranché Le disjoncteur s'est déclenché ou le fusible grillé
Le glacière de bière pression est activé et désactivé fréquemment	<ul style="list-style-type: none"> La température de la pièce est supérieure à la température normale La porte est trop souvent ouverte La porte n'est pas complètement fermée La commande de température n'est pas réglée correctement Le joint de la porte n'est pas hermétique Le dégagement autour de l'appareil n'est pas suffisant
Vibrations	<ul style="list-style-type: none"> Assurez-vous que le glacière de bière pression est bien droit
Le glacière de bière pression semble être trop bruyant	<ul style="list-style-type: none"> Le cliquetis peut provenir de l'écoulement du frigorigène, ce qui est normal Les gargouillements, causés par la circulation du fluide frigorigène, sont des sons normaux La contraction et la dilatation des parois internes peut provoquer les claquements et craquements Le glacière de bière pression n'est pas bien droit
La porte ne se ferme pas correctement	<ul style="list-style-type: none"> Le glacière de bière pression n'est pas bien droit La porte a été inversée et n'est pas correctement montée Le joint est sale Les tablettes ou le socle se sont déplacés Le baril n'est pas bien centré dans l'appareil Les roulettes ne sont pas fixées
Mousse de bière excessive	<ul style="list-style-type: none"> Assurez-vous que le tuyau de ligne de bière de la tour et le tuyau d'air de CO₂ du régulateur de CO₂ sont fixés aux connexions correctes sur le coupleur; Ligne de bière au sommet du coupleur, ligne d'air CO₂ sur le côté du coupleur Vérifier qu'il n'y a pas de fuites dans les connexions Assurez-vous que la vanne à anche dans la connexion CO₂ au coupleur comporte un trou La pression de CO₂ peut être trop élevée; Essayez de réduire la pression S'assurer que la tige en plastique est insérée dans le coupleur
Faible débit de bière	<ul style="list-style-type: none"> Assurez-vous que le tuyau de ligne de bière de la tour et le tuyau d'air de CO₂ du régulateur de CO₂ sont fixés aux connexions correctes sur le coupleur; Ligne de bière au sommet du coupleur, ligne d'air CO₂ sur le côté du coupleur Vérifier qu'il n'y a pas de fuites dans les connexions Assurez-vous que la vanne à anche dans la connexion CO₂ au coupleur comporte un trou La pression de CO₂ peut être trop faible; Essayez de tourner la pression vers le haut Assurez-vous qu'il n'y a pas de coudes ou de plis dans les tuyaux qui pourraient entraver le débit

GARANTIE LIMITÉE SUR APPAREIL ÉLECTROMÉNAGER À DOMICILE

Cet appareil de qualité est garanti exempt de tout vice de matière première et de fabrication, s'il est utilisé dans les conditions normales recommandées par le fabricant.

Cette garantie n'est offerte qu'à l'acheteur initial de l'appareil vendu par Danby Products Limited (Canada) ou Danby Products Inc. (E.- U.A.) (ci-après « Danby ») ou par l'un des ses distributeurs agréés et elle ne peut être transférée.

CONDITIONS

Les pièces en plastique sont garanties pendant trente (30) jours seulement à partir de la date de l'achat, sans aucune prolongation prévue.

Premiers 12 mois Pendant les premiers douze (12) mois, toutes les pièces fonctionnelles de ce produit qui s'avèrent défectueuses seront réparées ou remplacées, selon le choix du garant, sans frais à l'acheteur INITIAL.

Pour bénéficier du service Le client sera responsable pour le transport et tous les frais d'expédition de tout appareil exigeant le service au dépôt de service autorisé le plus proche. S'adresser au détaillant qui a vendu l'appareil, ou à la station technique agréée de service la plus proche, où les réparations doivent être effectuées par un technicien qualifié. Si les réparations sont effectuées par quiconque autre que la station de service agréée où à des fins commerciales, toutes les obligations de Danby en vertu de cette garantie seront annulées.

Limites de l'entretien à domicile Si l'appareil est installé à plus de 100 kilomètres (62 milles) du centre de service le plus proche, il doit être livré à l'atelier de réparation autorisé par Danby le plus proche, car l'entretien doit uniquement être réalisé par un technicien qualifié et certifié pour effectuer un entretien couvert par la garantie de Danby. Les frais de transport entre votre domicile et le lieu de l'entretien ne sont pas couverts par la présente garantie et doivent être acquittés par l'acheteur.

Aucune partie de la garantie ne prévoit implicitement que le fabricant sera tenu responsable des dommages subis par les aliments ou d'autres types de contenu, qu'ils soient causés par la défectuosité de l'appareil ou par son usage adéquat ou inadéquat.

EXCLUSIONS

En vertu de la présente, il n'existe aucune autre garantie, condition ou représentation, qu'elle soit exprimée ou tacite, de façon manifeste ou intentionnelle, par Danby ou ses distributeurs agréés. De même, sont exclues toutes les autres garanties, conditions ou représentations, y compris les garanties, conditions ou représentations en vertu de toute loi régissant la vente de produits ou de toute autre législation ou règlement semblables. En vertu de la présente, Danby ne peut être tenue responsable en cas de blessures corporelles ou des dégâts matériels, y compris à l'appareil, quelle qu'en soit les causes. Danby ne peut pas être tenue responsable des dommages indirects dus au fonctionnement défectueux de l'appareil. En achetant l'appareil, l'acheteur accepte de mettre à couvert et de dégager Danby de toute responsabilité en cas de réclamation pour toute blessure corporelle ou tout dégât matériel causé par cet appareil.

CONDITIONS GÉNÉRALES

La garantie ou assurance ci-dessus ne s'applique pas si les dégâts ou réparations sont dus aux cas suivants :

- 1) Panne de courant.
- 2) Dommages subis pendant le transport ou le déplacement de l'appareil.
- 3) Alimentation électrique incorrecte (tension faible, câblage défectueux, fusibles incorrects).
- 4) Accident, modification, emploi abusif ou incorrect de l'appareil tel qu'une circulation d'air inadéquate dans la pièce ou des conditions de fonctionnement anormales (température extrêmement élevée ou basse).
- 5) Utilisation dans un but commercial ou industriel (à savoir, si l'appareil n'est pas installé dans un domicile résidentiel).
- 6) Incendie, dommages causés par l'eau, vol, guerre, émeute, hostilités, cas de force majeure (ouragan, inondation, etc.).
- 7) Visites d'un technicien pour expliquer le fonctionnement de l'appareil au propriétaire.
- 8) Installation inappropriée (par exemple, encastrément d'un appareil autoportant, ou utilisation extérieure d'un appareil non conçu à cet effet). Une preuve d'achat doit être présentée pour toute demande de réparation sous garantie. Prière de garder le reçu. Pour faire honorer la garantie, présenter ce document à la station technique agréée ou s'adresser à :

Service sous garantie
Service au domicile

Danby Products Limited
PO Box 1778, Guelph, Ontario, Canada N1H 6Z9
Téléphone : (519) 837-0920 Télécopieur: (519) 837-0449

1-800-263-2629
03/14

Danby Products Inc.
PO Box 669, Findlay, Ohio, U.S.A. 45840
Téléphone: (419) 425-8627 Télécopieur: (419) 425-8629

Gracias por elegir Danby

Sabemos que está emocionado. Nosotros lo estamos también! Sin embargo, cuanto más se familiarice con su nuevo aparato, mejor será su experiencia. Por lo tanto le sugerimos de manera especial que lea **este manual de instrucciones antes de conectar su nuevo aparato**. Este manual contiene importante información operacional que le ayudará a hacer un uso completo de las características técnicas disponibles en su aparato Danby. El manual también contiene información diseñada para mejorar la fiabilidad y seguridad operacional de su aparato, así como consejos para el mantenimiento del mismo, lo que le traerá felicidad en los años venideros.

Por favor, visite www.danby.com para acceder a herramientas de autoservicio, preguntas frecuentes y más. En caso de necesitar asistencia adicional, por favor llame al 1-800-26-DANBY (1-800-263-2629). Por favor tenga disponible su recibo de compra y número de modelo cuando llame.

Nota: Esta información será necesaria si su unidad requiere servicio o para hacer consultas generales. Para recibir servicio técnico debe sonstrar el recibo original.

Número de modelo: _____
Número de serie: _____
Fecha de la compra: _____

NECESITA AYUDA

Antes de solicitar servicio, hay algunas cosas que puede hacer para ayudarnos a servirle mejor:

Lea este manual:

Contiene instrucciones que lo ayudarán a mantener correctamente su unidad.

Si usted recibe un artefacto dañado:

Llame inmediatamente al distribuidor (o constructor) que se lo vendió.

Ahorre tiempo y dinero:

Lea la sección de Diagnóstico de problemas antes de llamar. Esta sección le ayudará a resolver problemas comunes que pudieran ocurrir.

Si necesita asistencia, no se preocupe y llámenos.



1-800-26-**Danby**
(1-800-263-2629)



Importantes Instrucciones de Seguridad

LEA Y SIGA TODAS LAS INSTRUCCIONES DE SEGURIDAD



¡ADVERTENCIA IMPORTANTE!

PELIGRO: Riesgo de atrapamiento de niños. Antes de tirar su aparato:

- Quite las puertas.
 - Deje los estantes en su lugar para que los niños no pueden subir fácilmente en.
- ¡NO ESPERE, HAGALO AHORA MISMO!**

REQUISITOS DE FUNCIONAMIENTO

Para evitar dificultades de instalación o funcionamiento, lea estas instrucciones a fondo.

- Este aparato debe estar conectado a tierra. Conecte sólo a una toma de corriente con conexión a tierra adecuada. Consulte la sección “Instrucciones de puesta a tierra”.
- No utilice este aparato si tiene un cable o enchufe dañado, si no funciona correctamente o si el aparato ha sufrido daños o se ha caído. Si el cable de alimentación está dañado, debe ser reemplazado por el fabricante, su agente de servicio o persona calificada para evitar riesgos.
- Nunca permita que los niños operen, jueguen o se arrastren dentro del aparato.
- Nunca limpie las partes del aparato con líquidos inflamables. Los humos pueden crear un riesgo de incendio o explosión.
- No almacene ni utilice gasolina u otros vapores o líquidos inflamables cerca de este o de cualquier otro aparato. Los humos pueden crear un riesgo de incendio o explosión.
- No empalme el cable de alimentación que esté equipado con este aparato.
- Mantenga el cable de alimentación alejado de superficies calientes.
- No sumerja el cable de alimentación, el enchufe o el propio aparato en agua.
- No utilice este producto cerca del agua, por ejemplo, en un sótano húmedo, lavandería o cerca de un fregadero.
- No utilice productos químicos corrosivos ni vapores en este aparato.
- Utilice este aparato sólo para el uso previsto, tal y como se describe en este manual.
- Almacene las bebidas en recipientes sellados solamente.
- No cubra ni bloquee las aberturas del aparato.
- No almacene productos alimenticios perecederos como (pero no limitado a) carnes y productos lácteos en su aparato. Este aparato no se enfría lo suficiente como para ser seguro para los alimentos.
- Este aparato está diseñado para uso doméstico solamente. No utilice ni guarde este aparato al aire libre.
- Este aparato debe ser reparado solamente por personal de servicio cualificado. Póngase en contacto con el centro de servicio autorizado más cercano para su examen, reparación o ajuste.
- Antes de conectar el aparato a una fuente de alimentación, deje que se mantenga erguido durante aproximadamente 6 horas; Esto reducirá la posibilidad de un malfuncionamiento en el sistema de enfriamiento debido a la manipulación durante el transporte.

¡GUARDE ESTAS INSTRUCCIONES!



Importantes Instrucciones de Seguridad

LEA Y SIGA TODAS LAS INSTRUCCIONES DE SEGURIDAD

INSTRUCCIONES DE CONEXIÓN A TIERRA

Este aparato debe estar conectado a tierra. En caso de un cortocircuito eléctrico, la puesta a tierra reduce el riesgo de descarga eléctrica proporcionando un cable de escape para la corriente eléctrica. Este aparato está equipado con un cable que tiene un cable de conexión a tierra con un enchufe de conexión a tierra. El enchufe debe estar enchufado en un tomacorriente que esté correctamente instalado y conectado a tierra.

ADVERTENCIA - El uso incorrecto del enchufe de conexión a tierra puede ocasionar un riesgo de descarga eléctrica. Consulte a un electricista o agente de servicio calificado si las instrucciones de conexión a tierra no se entienden completamente o si existe duda sobre si el aparato está debidamente conectado a tierra.

Si el tomacorriente es un tomacorriente de pared estándar de 2 clavijas, es su responsabilidad personal y la obligación de tenerlo reemplazado con un enchufe de pared de 3 clavijas debidamente conectado a tierra.

Para el mejor funcionamiento, enchufe este aparato en su propia toma de corriente para evitar el parpadeo de luces, soplado de fusible o disparo del interruptor automático

NO UTILICE UN CABLE DE EXTENSIÓN

Utilice un enchufe de pared exclusivo de 115V. No conecte el aparato a los cables de extensión ni con otro aparato en la misma toma de corriente. No empalme el cable. No corte ni quite en ningún caso la tercera clavija (tierra) del cable de alimentación. No utilice ni enchufe adaptador con este aparato.

REQUERIMIENTOS DE SEGURIDAD

Asegúrese de que los componentes se sustituirán por componentes similares y que el servicio deberá ser realizado por el personal de servicio autorizado de fábrica, para minimizar el riesgo de un posible encendido debido a piezas incorrectas o un servicio inadecuado.

Este aparato debe estar conectado a tierra. En caso de un cortocircuito eléctrico, la conexión a tierra reduce el riesgo de choque eléctrico proporcionando un cable de escape para la corriente eléctrica. La placa de características en serie indica el voltaje y la frecuencia para la que está diseñado el artefacto.

¡ADVERTENCIA! ¡PELIGRO DE EXPLOSION! Riesgo de incendio o explosión debido a la perforación de tuberías de refrigerante. No utilice objetos afilados para ayudar en el desescarche. Por favor, maneje con precaución. Mantenga los materiales y vapores inflamables como la gasolina lejos del refrigerador. Utilice un limpiador no inflamable.

La eliminación de esta unidad debe estar de acuerdo con las regulaciones federales y locales.

Este aparato no está diseñado para ser utilizado por personas (incluyendo niños) cuyas capacidades físicas, sensoriales o mentales sean diferentes o reducidas, o que carezcan de experiencia o conocimiento, a menos que dichas personas reciban supervisión o entrenamiento para operar el aparato por una persona responsable de su uso. la seguridad.

ADVERTENCIA: Mantenga las aberturas de ventilación, en la caja del aparato o en la estructura incorporada, sin obstrucciones.

ADVERTENCIA: No use dispositivos mecánicos u otros medios para acelerar el proceso de descongelación, que no sean los recomendados por el fabricante.

ADVERTENCIA: No dañar el circuito de refrigerante.

ADVERTENCIA: No utilice electrodomésticos dentro de los compartimientos de alimentos del aparato, a menos que sean del tipo recomendado por el fabricante.

¡GUARDE ESTAS INSTRUCCIONES!



Importantes Instrucciones de Seguridad

LEA Y SIGA TODAS LAS INSTRUCCIONES DE SEGURIDAD

¡CUIDADO, EL GAS CARBÓNICO PUEDE SER PELIGROSO!

Los tanques de gas carbónico llenos contienen gas a alta presión que puede ser peligroso si no se lo trata correctamente. Lea y entienda los siguientes procedimientos para los tanques de gas carbónico antes de instalarlos:

1. Siempre verifique la fecha de prueba del D.O.T (Departamento de Transporte) del cuello del cilindro antes de instalarlo. Si tiene más de cinco (5) años no lo use, devuélvalo al proveedor de gas.
2. Siempre conecte el tanque de gas carbónico a un regulador. El no hacerlo podría provocar una explosión que podría causarle la muerte o herirlo al abrir la válvula del cilindro.
3. Siempre siga los procedimientos correctos cuando los cilindros se cambien según los códigos locales.
4. Siempre coloque el tanque de gas carbónico en posición "vertical."
5. Mantenga siempre el tanque de gas carbónico lejos del calor. Los tanque de gas carbónico deben guardarse en el lugar más frío posible (preferentemente) a 70° F (21° C) y deben estar siempre firmemente sujetos en posición vertical.
6. Siempre ventile y salir el área luego de una pérdida de gas carbónico.
7. Nunca conecte directamente un tanque de gas carbónico al barril de cerveza.
8. Nunca deje caer ni arroje un cilindro de gas carbónico.
9. Nunca conecte un contenedor a menos que tenga dos (2) mecanismos de seguridad en el sistema de presión;
 - Uno en el regulador de gas carbónico.
 - Uno en el acople del contenedor de producto, en la línea de gas a presión.

Nota: El regulador y acople del barril suministrados con esta unidad son aparte de los mecanismos de seguridad antes mencionados.



ADVERTENCIA DE GAS CARBÓNICO

Si se le hace difícil respirar y/o le empieza a doler la cabeza, puede haber una concentración anormal de gas carbónico (CO₂) en el área.

¡CIERRE LA VÁLVULA GENERAL DEL TANQUE DE GAS CARBÓNICO, VENTILE Y ABANDONE EL AMBIENTE INMEDIATAMENTE!



ADVERTENCIA IMPORTANTE

La cerveza es fácilmente accesible con el nuevo Refrigerador de Barril de Danby, sin embargo, no es nuestra intención el hacerla disponible para personas menores de edad. Danby no se hace responsable por el consumo o uso ilegal de la cerveza.

¡POR FAVOR, BEBA CON RESPONSABILIDAD Y NO BEBA Y CONDUZCA!

¡GUARDE ESTAS INSTRUCCIONES!

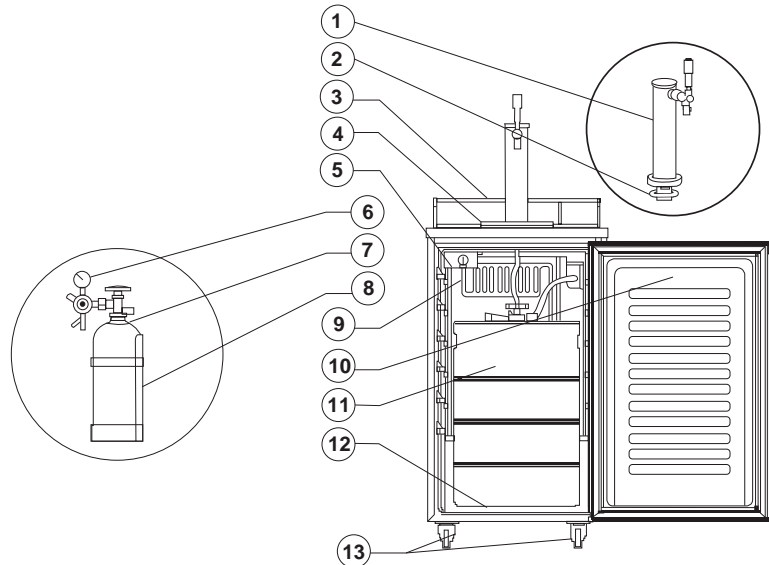


Instrucciones de Instalación

ACCESORIOS QUE VIENEN CON EL EQUIPO

Retire y examine todos los accesorios que vienen con esta unidad para verificar su condición. En caso de que falte algún accesorio, o no esté en buen estado, llame a Danby a la siguiente línea gratuita para hablar con uno de nuestros representantes de servicio al cliente. **(1-800-263-2629)**

1. **Columna de servir**
2. **Junta de goma** (talvez no sea requerida en todas las configuraciones)
3. **Barandilla**
4. **Placa perforada**
5. **Termostato regulable**
6. **Regulador de gas carbónico**
7. **Tanque de gas carbónico**
8. **Soporte para el tanque de gas carbónico**
9. **Evaporador**
10. **Porta**
11. **Barril de cerveza** (que no viene incluido)
12. **Placa de metal**
13. **Rueditas con mecanismo de bloqueo** (4)



ANTES DE USAR SU EQUIPO PARA SERVIR CERVEZA

- Retire el empaque de la parte exterior e interior.
- Verifique que tenga todas las piezas:
 - 2 barandilla
 - 1 placa perforada (2 partes)
 - 1 soporte para el tanque de gas
 - 1 regulador de gas carbónico
 - 1 tanque de gas carbónico vacío
 - 1 manguera neumática de gas carbónico (coloreada)
 - 1 manguera de cerveza
 - 1 mecanismo acoplador para el barril
 - 1 columna de servir
 - 1 palanca con mango (grifo de la columna de servir)
 - 4 tapones para los orificios de la barandilla
 - 1 placa de metal para el fondo del mueble
 - 3 repisas de alambre de acero
 - 1 abrazadera de acero para la manguera (coloreada)
 - 2 arandelas de plástico para ruedas delanteras
 - 4 rueditas (2 frente con cerraduras)
- Antes de conectar el equipo, déjelo en posición vertical durante aproximadamente 6 horas. Esto disminuirá la posibilidad de mal funcionamiento del sistema de enfriamiento debido a su manipulación durante el transporte.
- Limpie la superficie interior con agua tibia y un paño suave.



Instrucciones de Instalación

INSTALACIÓN DEL EQUIPO PARA SEVIR CERVEZA

- Este aparato ha sido diseñado como equipo autónomo y no debe instalarse empotrado.
- Coloque el equipo para servir cerveza en un piso suficientemente resistente, que pueda soportar su peso cuando esté cargada a plena capacidad.
- Deje un espacio libre de tres pulgadas entre los tres lados del equipo y las paredes, de manera que el aire circule libremente para enfriar el compresor.
- Ubique el equipo para servir cerveza donde no reciba la luz directa del sol y lejos de fuentes de calor (como hornos, calentadores, radiadores, etc.). La acción directa de los rayos del sol puede dañar el revestimiento de pintura acrílica y las fuentes de calor pueden aumentar el consumo de electricidad. Las temperaturas sumamente frías también pueden provocar el mal funcionamiento del equipo.
- Este equipo no ha sido diseñado para instalarlo en exteriores (como garajes, porches, patio, etc.)
- Evite instalarlo en un lugar donde haya demasiada humedad.
- Enchufe el equipo en un tomacorriente de uso exclusivo debidamente conectado a tierra. Nunca, bajo ninguna circunstancia, corte o quite la tercera pata (de puesta a tierra) del enchufe del cordón eléctrico. Consulte todas sus dudas sobre la instalación eléctrica y la puesta a tierra con un electricista calificado o el personal de un centro de servicios autorizado.
- Después de conectar el equipo al tomacorriente, deje que la unidad se enfríe durante unas dos o tres horas antes de colocar nada en el compartimiento del equipo.



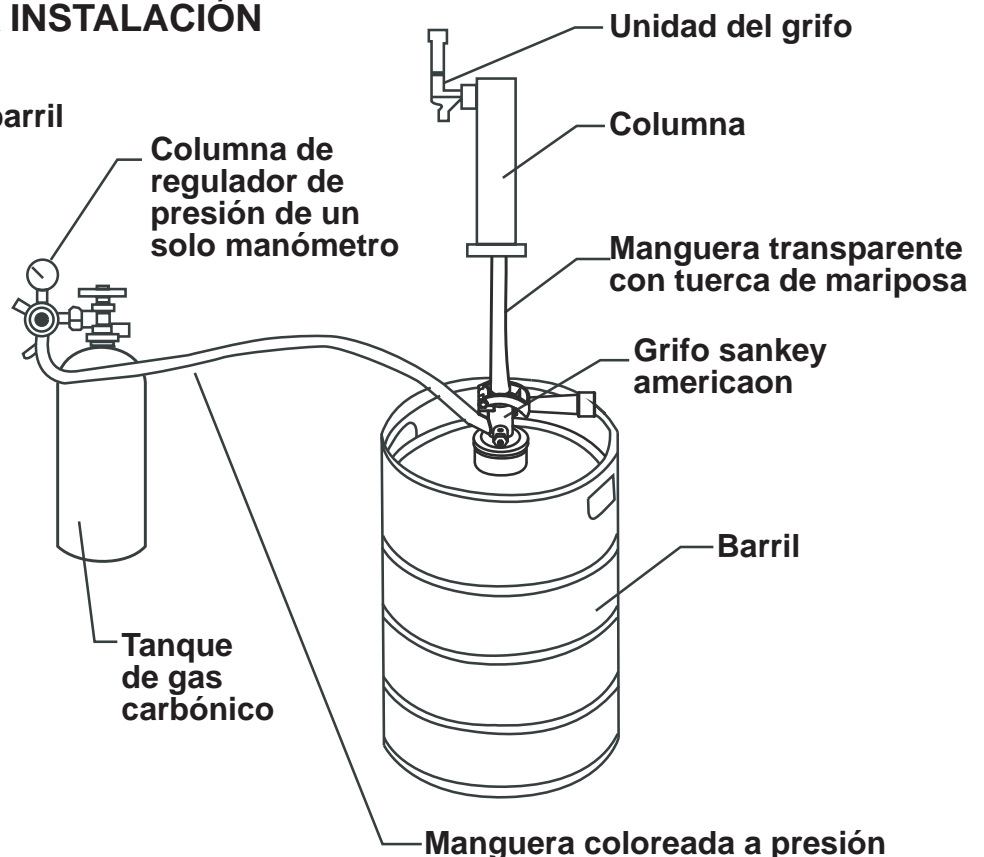
ADVERTENCIA

EL GAS CARBÓNICO PUEDE SER PELIGROSO

Los tanques de gas carbónico contienen gas comprimido a alta presión que puede ser peligroso si no se maneja adecuadamente. Recuerde que, antes de instalarlo, debe leer y comprender los siguientes procedimientos para la instalación del tanque de gas carbónico.

INSTRUCCIONES PARA LA INSTALACIÓN DEL BARRIL DE CERVEZA

Esquema de la instalación del barril

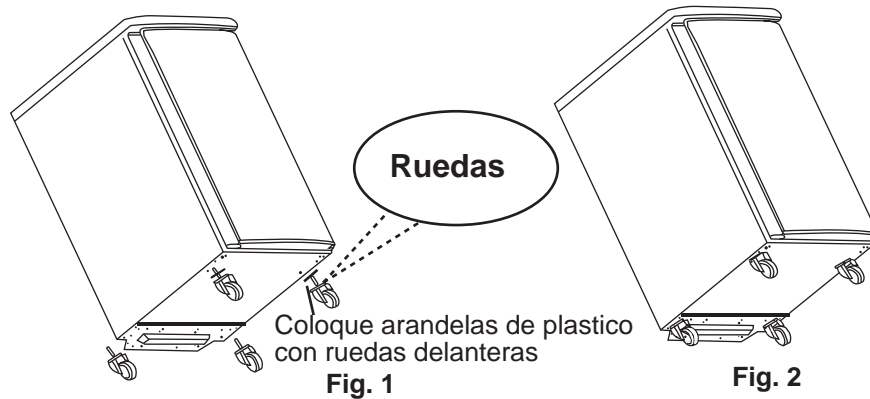




Instrucciones de Instalación

INSTRUCCIONES PARA LA INSTALACIÓN DEL BARRIL DE CERVEZA

Instale las cuatro ruedas. Se han perforado cuatro orificios de tornillo en el fondo de la unidad en cada esquina para cada rueda. Coloque las arandelas plástico en las ruedas delanteras antes de instalarlos.



Guía de uso de las ruedas con freno

Las dos ruedas delanteras se suministran con frenos para asegurar que la unidad no se mueve excesivamente mientras se utiliza. Se recomienda encender los frenos mientras la unidad está en uso para evitar daños a la unidad, el contenido o su propiedad personal.



Instalación del soporte para el tanque de gas

Instale el soporte que viene con el equipo en los cuatro pernos ubicados en la parte exterior del lado trasero.

Alinee los orificios del soporte con los pernos y empújelo firmemente hacia abajo.





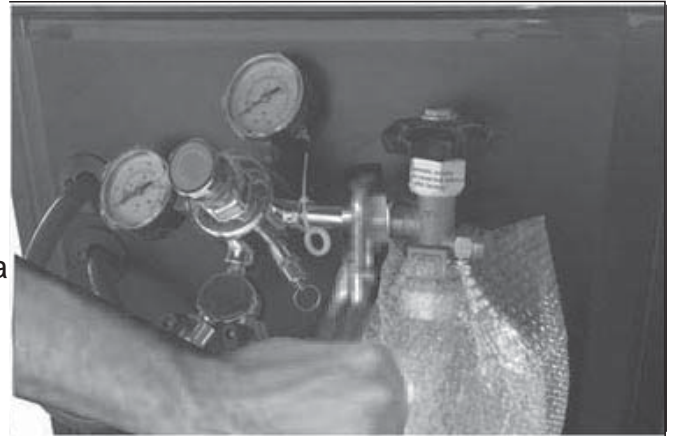
Instrucciones de Instalación

Instalación del tanque de gas y el regulador de gas carbónico

El tanque de gas no viene lleno. Antes de instalarlo, debe ser llenado con gas carbónico.

Una vez lleno, instálelo en el soporte.

Para esto, enrosque la tuerca de conexión del regulador en la válvula del tanque; verifique primero que arandela esté bien colocada en la tuerca. Apriétela bien con una llave regulable (que no viene con el equipo), y verifique que la conexión no tengas fugas - no silbido.

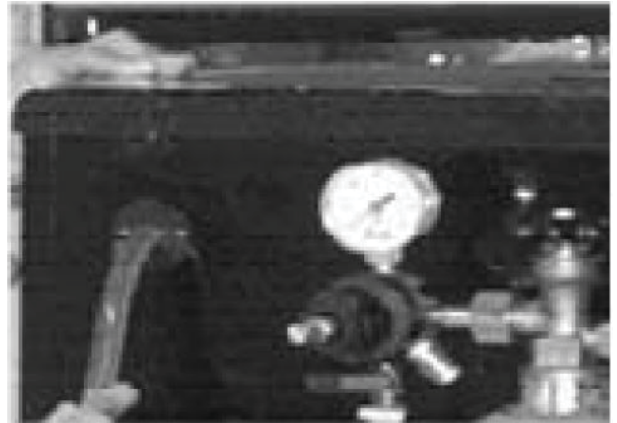


Instalación de la tubería de aire de CO₂ fuera del armario y de la tubería de aire CO₂ de la manguera al regulador

Retire el tapón ubicado en la esquina superior izquierda de la parte exterior del lado trasero. Guárdelo para volver a colocarlo si usted decide convertir la unidad en un refrigerador.

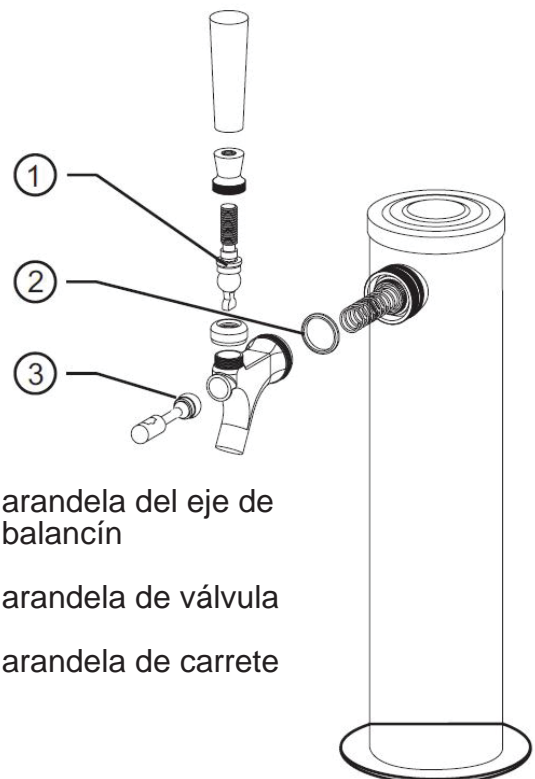
La línea de suministro de gas a través del recinto y a través del orificio corto

Conecte el extremo abierto de la manguera al conector macho dentado del regulador. Fije la manguera con la abrazadera que viene con el equipo. Apriete la abrazadera con alicates o un destornillador.



Instalación de la columna de servir

- Gire y tire del tapón superior para sacarlo, y guárdelo para volver a colocarlo si usted decide convertir la unidad en un refrigerador.
- Desenrolle la tubería para la cerveza (la manguera transparente) de la columna e introduzca el extremo con la tuerca de mariposa por el orificio ubicado en la parte superior.
- Instale la unidad de la columna de servir en la parte superior; ubique el grifo para la cerveza de manera que quede alineado con la parte delantera del mueble.
- Si es necesario, puede colocar la empaquetadura de plástico en la conexión entre la columna y el enfriador. Si la columna de servir no gira hasta quedar trabada en su lugar, retire el empaque de goma y vuelva a intentarlo. (El empaque de goma podría no ser necesario en todas las configuraciones de la unidad).
- Si el grifo de la torre tiene fugas o si la cerveza es muy espumosa, asegúrese de que las arandelas dentro del grifo estén intactas. Reemplace las arandelas con piezas de repuesto de la bolsa de accesorios, si es necesario.



1. arandela del eje de balancín
2. arandela de válvula
3. arandela de carrete



Instrucciones de Instalación

Instalación de la placa protectora de metal

La placa metálica protectora debe instalarse en la parte inferior del interior del gabinete. Esta placa debe instalarse siempre que el barril esté en su lugar, para proteger el piso del mueble contra daños innecesarios.

Instalación de la columna de servir

- Ubique el barril de cerveza directamente delante de la puerta abierta. Levante con cuidado el barril, agarrándolo únicamente por las asas.
- Para colocar el barril de cerveza en el mueble, apoye sus rodillas detrás del mismo. Levante la parte delantera del barril sólo lo suficiente para que su borde delantero se apoye sobre el borde delantero del piso del mueble del equipo.
- Agarre las asas del barril y deslícelo para meterlo por completo en el mueble.
- **Nota:** Al insertar el cañón en la unidad, dos (2) personas deben levantar el barril.



Instalación de la manguera neumática de gas carbónico

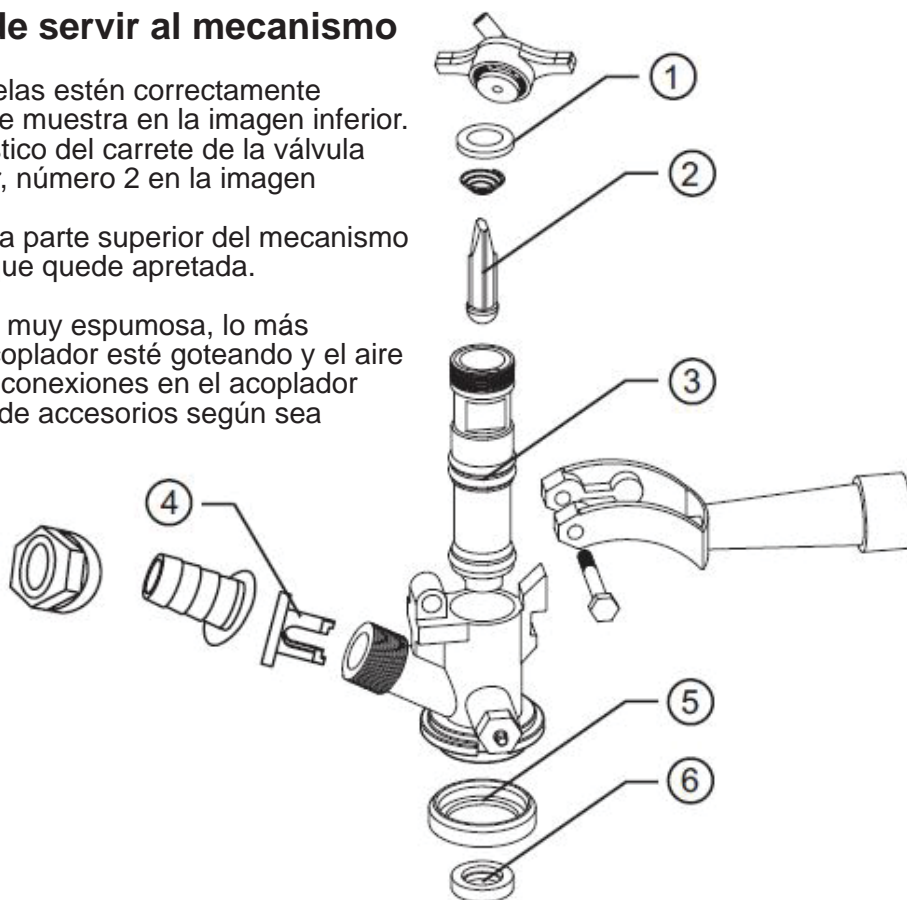
Instale el extremo de de la manguera coloreada que viene con el equipo en el dispositivo de conexión del mecanismo de acoplamiento del barril. Asegúrese de que la válvula de retención se inserta en la conexión, número 4 en la imagen de abajo.

Si, después del montaje, la cerveza no fluye, asegúrese de que la válvula de retención tenga un pequeño agujero en ella. Si no hay agujero en la válvula de retención, entonces el CO₂ no puede entrar en la línea y la cerveza no fluirá.

Cómo conectar la columna de servir al mecanismo de acoplamiento

- Asegúrese de que todas las arandelas estén correctamente insertadas en el acoplador, como se muestra en la imagen inferior.
- Asegúrese de que la varilla de plástico del carrete de la válvula esté colocada dentro del acoplador, número 2 en la imagen inferior.
- Coloque la tuerca de mariposa en la parte superior del mecanismo de acoplamiento, girándola hasta que quede apretada.

Si, después del montaje, la cerveza es muy espumosa, lo más probable es que una conexión en el acoplador esté goteando y el aire entre en las líneas. Verifique todas las conexiones en el acoplador y reemplace las arandelas de la bolsa de accesorios según sea necesario.



1. Arandela de válvula
2. Vástago de válvula de plástico
3. Arandela tipo O
4. La válvula de retención
5. Arandela de válvula
6. Arandela de válvula



Instrucciones de Instalación

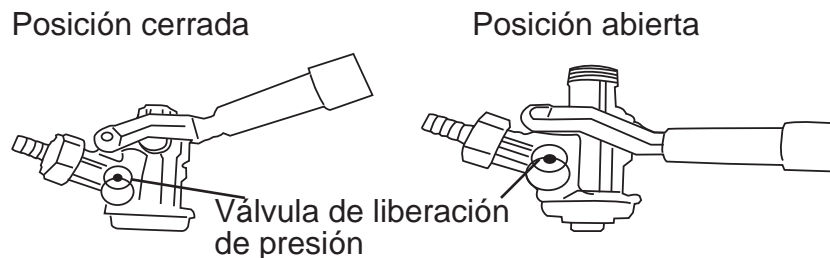
Instalación del mecanismo de acoplamiento del barril

Introduzca el mecanismo de acoplamiento que viene con el equipo en el cuello con cierre del barril y gírelo hacia la derecha hasta que se trabe en su lugar; verifique que el mecanismo quede en la posición cerrada.

Cómo activar la conexión al barril de cerveza

- Verifique que el paso de gas carbónico esté cerrado, y que la válvula secundaria del regulador esté cerrada.
- Tire hacia afuera de la válvula de seguridad del mecanismo de acoplamiento y suéltela, para purgar la presión neumática.
- Verifique que el grifo de la columna de servir esté cerrado.
- Tire hacia atrás de la palanca de activación de la conexión y empújela hacia abajo hasta que quede trabada en su lugar.

Nota: Si un barril es muy alto, puede ser necesario conectar el acoplador al barril antes de insertar el barril en el refrigerador del barril.



Cómo abrir la válvula principal del tanque de gas

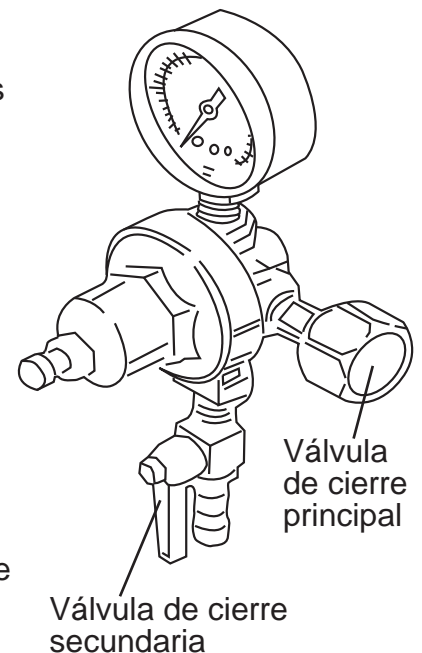
- Verifique que esté cerrada la válvula de paso secundaria (se muestra en la posición 'abierta'). Para abrir la válvula principal del tanque, gírela lentamente hacia la izquierda hasta que esté completamente abierta.
- Observe que la aguja del manómetro del regulador empieza a subir.

Cómo graduar el regulador de gas carbónico

El manómetro (más cercano al cilindro de CO₂) controla la baja presión interna del barril y debe ajustarse para una lectura de entre 8 y 12 lb./pulg. La presión se puede ajustar según sea necesario. Si la cerveza es muy espumosa, intente bajar la presión. Si el flujo de cerveza es muy débil, intente subir la presión.

Nota: Después de hacer cualquier ajuste a la presión, espere de 5 a 10 minutos antes de intentar verter otra cerveza para permitir que la presión se iguale.

- Afloje la contratuerca de ajuste marcada con el número 2.
- Gire el tuerca del regulador marcado con el número 3.
 - Para aumentar la presión, gírelo el tuerca hacia la derecha.
 - Para disminuir la presión, gírelo el tuerca hacia la izquierda.
- Vuelva a apretar la contratuerca marcada con el número 2.
- Abra la llave de paso secundaria para que el gas carbónico fluya al barril.
- Deje que pasen varios minutos para que el barril quede debidamente presurizado. Mientras esto ocurre, es posible que descienda la lectura del manómetro del regulador.



Nota: Preste atención para detectar cualquier sonido sibilante producido por una fuga en las conexiones.

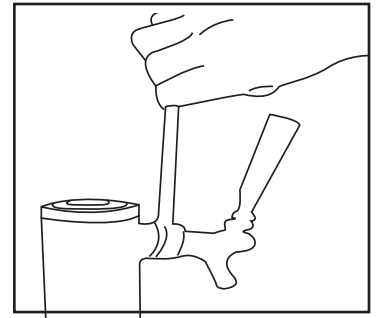


Instrucciones de Instalación

Llave para el grifo

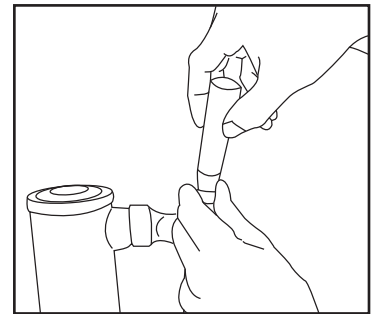
(Incluido) una llave para apretar o retirar la conexión del grifo.

Nota: Para evitar fugas, utilice la llave suministrada para apretar aún más el grifo.



Palanca de plástico para el grifo

Coloque la palanca de plástico negro en la parte superior del grifo, y apriétela con la mano girándola completamente hacia la derecha y sujetando la tuerca plateada ubicada debajo para que no gire. Si aún gotea un poco del grifo, es posible que la haya apretado demasiado y es necesario que desenrosque la contratuerca plateada girándola una vuelta hacia la izquierda (como se ilustra).



CÓMO SERVIR LA CERVEZA

- Conserve refrigerado en todo momento el barril de cerveza.
- No deje que se sequen las tuberías de cerveza.
- Sirva la cerveza en vasos de vidrio limpios.
- Sostenga el vaso en un ángulo de 45° hasta llenar las dos terceras partes, luego vaya enderezándolo a medida que se llene.
- Verifique siempre que la palanca del grifo regrese por completo a su posición original.

Tamaño de los barriles que puede emplear en su equipo				
1/2 barril	59 litros	15.5 gal.	1984 oz.	164 x 12-oz. vidrios
1/4 barril	30 litros	7.8 gal.	992 oz.	82 x 12-oz. vidrios
1/6 barril	20 litros	5.2 gal.	661 oz.	55 x 12-oz. vidrios
1/8 barril	15 litros	4.0 gal.	496 oz.	41 x 12-oz. vidrios

Nota: El compartimiento del refrigerador no puede acomodar el estilo "Coors" barril barril cónico.

Nota: Puede instalar en el equipo barriles doméstico de hasta 16-1/8 pulg. de diámetro, y de hasta 23-3/8 pulg. de altura. Hable con el distribuidor para verificar que el tamaño del barril sea el adecuado.

Nota: Es importante permitir que el barril para sentarse derecho, tranquilo, durante 2 horas antes de escribir.

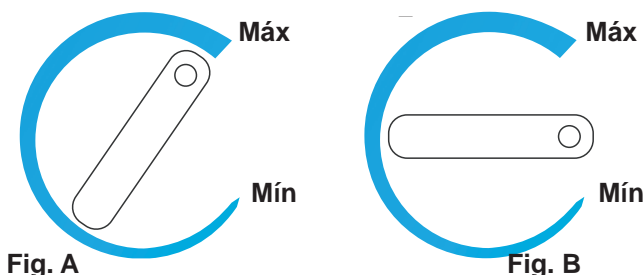


Instrucciones operadoras

CÓMO GRADUAR LA TEMPERATURA

La temperatura se controla mediante el ajuste la perilla de control del termostato. Para iniciar la unidad y lograr un enfriamiento rápido:

- Dé vuelta a la perilla del control de la temperatura a la derecha al ajuste (máximo) más futuro en la sección (ancha) azul más oscura del dial de control graduado (Fig A).
- Permita que el unidad funcione en este ajuste por 3-4 horas.
- Cuando se consigue la máxima refrigeración, volver atrás el mando de control de temperatura a una temperatura moderada / medio plazo.
- Para apagar el unidad (ninguna enfriamiento), gire la perilla de control a las “0” (apagado) posiciones (Fig.B.).



DESCONGELACIÓN AUTOMÁTICA

No es necesario descongelar el equipo para servir cerveza. El agua descongelada se recoge y pasa por el desagüe ubicado en la parte posterior a una bandeja ubicada por encima del compresor, donde se evapora.

Nota: Si la unidad se desenchufa, pierde potencia o se apaga, debe esperar entre 3 y 5 minutos para volver a encenderla. Si intenta hacerlo antes del tiempo señalado, el equipo no se encenderá.

CÓMO CONVERTIR EL EQUIPO EN UN REFRIGERADOR

1. Gire la perilla de control a la posición de apagado (“OFF”).
2. Cierre la válvula principal del tanque de gas.
3. Cierre la válvula de paso secundaria ubicada en el tubo del regulador.
4. Cierre la conexión entre el barril y el mecanismo de acoplamiento.
5. Drene la cerveza que queda en las tuberías. (Recomendamos limpiar en este punto, por favor consulte la sección Cuidado y mantenimiento).
6. Desconecte la tubería de cerveza y la de gas carbónico del mecanismo de acoplamiento del barril.
7. Retire el barril.
8. Retire el mecanismo de acoplamiento.
9. Desconecte la tubería neumática del tanque de gas.
10. Retire la tubería neumática y de gas carbónico del orificio del mueble.
11. Vuelva a colocar el tapón en el orificio para la tubería neumática ubicada en la parte posterior del mueble.
12. Retire la columna de servir. Retire también la tubería de cerveza del orificio ubicado en la parte superior del mueble.
13. Vuelva a colocar el tapón en el orificio de la parte superior del mueble.
14. Ajuste la temperatura a la graduación que desee.

Nota: Para convertir la unidad, desconecte el regulador del suministro de gas para sacarlo de la caja.

Nota: Si desea un estante en el convertida “Todo refrigerador” instalar la bandeja deslizándola en la ubicación deseada en la unidad.



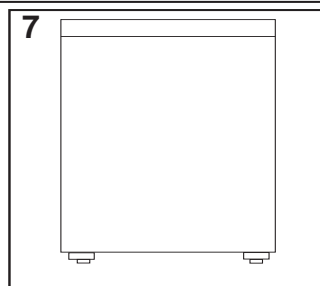
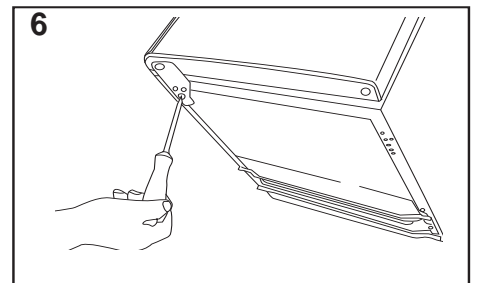
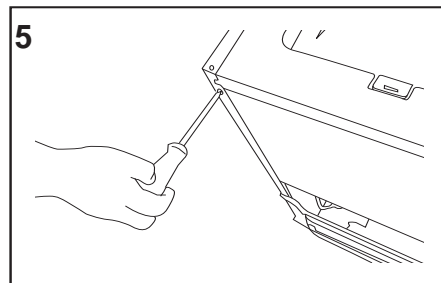
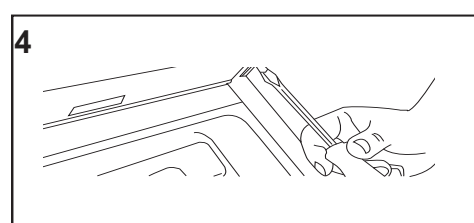
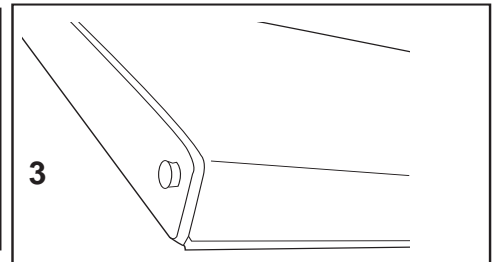
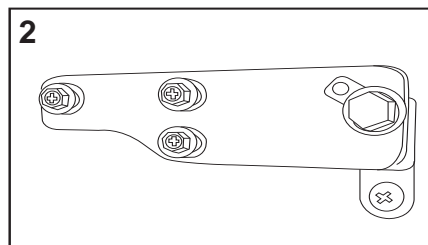
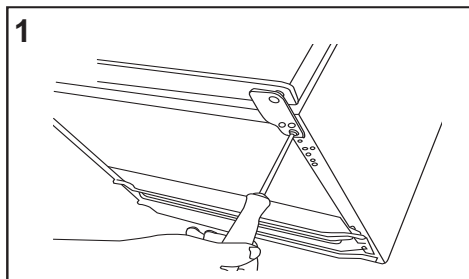
Instrucciones operadoras

CÓMO INVERTIR LA PUERTA

Para evitar lesiones y/o daños materiales, recomendamos que alguien lo ayude durante el proceso de inversión de la puerta.

Este equipo para servir cerveza trae una puerta que se puede instalar de modo que se abra hacia la derecha o hacia la izquierda. La puerta viene instalada de fábrica para abrirse hacia la derecha. Para invertir la dirección de apertura, siga estas instrucciones.

1. Con el destornillador Phillips, desenrosque los tornillos de cada soporte.
2. Retire los tornillos y el soporte. Déjelos a un lado.
3. Deslice hacia abajo la puerta del refrigerador alacena, unos 15 cm (6") y retire la clavija de la bisagra superior, y levántela para sacarla del refrigerador.
4. Con un destornillador de hoja plana, retire la clavija del soporte superior. Vuelva a colocarla en el soporte de la bisagra del lado opuesto.
5. Retire el tornillo del lado del refrigerador alacena donde desea volver a instalar el soporte.
6. Vuelva a colocar la puerta del refrigerador alacena deslizándola en la bisagra superior; verifique que la parte que queda arriba sea la correcta. Instale la bisagra inferior en su sitio en el nuevo lado.
7. Compruebe que la puerta quede alineada horizontalmente y verticalmente; antes de apretar definitivamente los tornillos de la bisagra inferior, verifique que la empaquetadura quede bien adherida en todos los lados. Vuelva a regular las patas de nivelación.





Cuidado y Mantenimiento

CÓMO LIMPIAR EL EQUIPO PARA SERVIR CERVEZA

- Gire la perilla de control a la posición de apagado (“OFF”), desenchufe el equipo y vacíe el contenido.
- Limpie las superficies interiores con agua tibia y una solución de bicarbonato de sodio. La solución debe contener cerca de 2 cucharadas de bicarbonato de sodio y un cuarto de galón de agua.
- Limpie las repisas con un detergente suave diluido.
- Limpie los controles eléctricos con un paño seco.
- Limpie la parte exterior del mueble con agua tibia y un detergente líquido suave. Enjuague bien y seque con un paño limpio y suave.

LA LIMPIEZA DE SUS LÍNEAS DE CERVEZA

Las mangueras de cerveza deben limpiarse periódicamente debido a la acumulación de cristales que ocurre en los accesorios, mangueras y conectores comúnmente llamado “acumulación”. Si la “acumulación” no se quita completamente durante el proceso de limpieza, dejará una superficie no higiénica que puede acumular microorganismos que provocarán un sabor indeseable y/o harán que la cerveza pierda cuerpo. Mucha cantidad de “acumulación” también causará problemas en el surtidor que van desde mucha espuma hasta no espuma, independientemente de los niveles de CO₂ o de la calidad (edad) de la cerveza del barril.

La limpieza periódica de las mangueras y de la canilla, con el equipo y limpiadores correctos, elimina la formación de “acumulación” protegiendo la integridad del producto y la condición del sistema surtidor y de los sellos. La manguera del surtidor (cerveza) debe limpiarse aproximadamente cada tres (3) semanas o cada barril de por medio, lo que ocurra primero. La canilla del surtidor debe limpiarse todas las semanas o antes de cada uso si no se usa constantemente.

Nota: Si tiene dificultad en manejar la palanca de la canilla, es una indicación de que necesita limpieza. * NO fuerce la manija en ese caso, ya que podría dañar la manija y/o la canilla, y no estará cubierto por la garantía.

Un paquete común de limpieza le servirá para aproximadamente ocho (8) limpiezas de mangueras. Los equipos de limpieza están disponibles para su compra a través de nuestro departamento de soporte de post venta.

Para obtener mayor información, llame al 1-800-26-DANBY (1-800-263-2629).

VACACIONES

Vacaciones cortas - Deje funcionando el equipo para servir cerveza durante sus vacaciones, si éstas duran menos de tres semanas.

Vacaciones largas - Si el aparato no se va a usar durante varios meses, vacíe el contenido de su interior y desenchúfelo. Limpie y seque bien el interior del equipo. Para evitar los malos olores y el moho, deje la puerta ligeramente abierta.

CÓMO MOVER EL EQUIPO PARA SERVIR CERVEZA

- Vacíe todo el contenido.
- Fije con cinta adhesiva todas las piezas sueltas que haya dentro del equipo.
- Cierre y fije la puerta con cinta adhesiva.
- Cerciórese de que el equipo se mantenga en posición vertical durante su transporte. Además, protéjalo colocándole encima una manta o algo similar.



Solución Sugerida

Danby Cuidado del consumidor: 1-800-263-2629

Horas de operación:

Lunes a Jueves 8:30 am - 6:00 pm Hora estándar del este

Viernes 8:30 am - 4:00 pm Hora estándar del este

PROBLEMA	POSIBLE CAUSA
El equipo no funciona	<ul style="list-style-type: none"> • No está enchufado • El disyuntor de circuito se disparó o hay un fusible quemado
Se apaga y se enciende frecuentemente	<ul style="list-style-type: none"> • La temperatura en la habitación es más alta de lo normal • La puerta se abre con demasiada frecuencia • La puerta no está completamente cerrada • El control de temperatura no está bien ajustado • La junta de la puerta no forma un cierre hermético • La unidad no tiene el espacio libre adecuado
Hay vibraciones	<ul style="list-style-type: none"> • Verifique que el equipo esté bien nivelado
El equipo hace mucho ruido	<ul style="list-style-type: none"> • El traqueteo puede ser ocasionado por el flujo del líquido refrigerante, lo cual es normal • El gorgoteo, producido por el líquido refrigerante en circulación, es normal • La contracción y la expansión de las paredes interiores puede producir sonidos repentinos y crujidos • El equipo no está nivelado
La puerta no se cierra adecuadamente	<ul style="list-style-type: none"> • El equipo no está nivelado • La puerta fue invertida y quedó mal instalada • La junta está sucia • Las repisas o el soporte no están en su posición correcta • El barril no está debidamente centrado en la unidad • Las ruedas no están instaladas
Excesiva espuma de cerveza	<ul style="list-style-type: none"> • Asegúrese de que la manguera de la línea de cerveza de la torre y la manguera de la línea de aire CO₂ del regulador de CO₂ estén conectadas a las conexiones correctas en el acoplador; Línea de cerveza a la parte superior del acoplador, línea de aire de CO₂ al lado del acoplador • Compruebe que no hay fugas en ninguna conexión • Asegúrese de que la válvula de láminas en la conexión de CO₂ en el acoplador tiene un orificio en ella • La presión de CO₂ puede ser demasiado alta; Intenta bajar la presión • Asegúrese de que la varilla de plástico del carrete de la válvula esté insertada en el acoplador
Weak beer flow	<ul style="list-style-type: none"> • Asegúrese de que la manguera de la línea de cerveza de la torre y la manguera de la línea de aire CO₂ del regulador de CO₂ estén conectadas a las conexiones correctas en el acoplador; Línea de cerveza a la parte superior del acoplador, línea de aire de CO₂ al lado del acoplador • Compruebe que no hay fugas en ninguna conexión • Asegúrese de que la válvula de láminas en la conexión de CO₂ en el acoplador tiene un orificio en ella • La presión de CO₂ puede ser demasiado alta; Intenta aumentar la presión • Asegúrese de que no haya curvas o torceduras en ninguna de las mangueras que puedan impedir el flujo

GARANTÍA LIMITADA PARA ELECTRODOMÉSTICO

Este producto de calidad está garantizado contra defectos de fabricación, incluyendo partes y mano de obra, siempre y cuando la unidad se utilice bajo las condiciones normales de funcionamiento para las que fue diseñado.

Esta garantía está solamente disponible para la persona que haya comprado originalmente esta unidad directamente de Danby Products Limited (Canada) o Danby Products Inc. (U.S.A.) (en adelante "Danby") o uno de sus distribuidores autorizados, y no es transferible.

CONDICIONES DE LA GARANTÍA

Las piezas plásticas, se autorizan por treinta (30) días solamente a partir de la fecha de la compra, sin las extensiones proporcionadas.

Primeros 12 meses Durante los primeros 12 meses, cualquier parte en buen estado de este producto que resulte defectuosa, incluyendo cualquier sistema sellado, será reparado o reemplazado, a opción del fabricante, sin cargo para el comprador ORIGINAL.

Para obtener servicio Danby se reserva el derecho de limitar la cobertura de "Servicio en Domicilio" sujeto a la proximidad de un Taller de Servicio Autorizado. Para todo artefacto que requiera servicio fuera del área limitada de "Servicio en Domicilio", el cliente será responsable por transportar dicho artefacto hasta el Taller de Servicio Autorizado más cercano. Consulte "Límites del servicio técnico a domicilio", a continuación. Comuníquese con el distribuidor donde haya comprado la unidad, o llame al Taller de Servicio Autorizado más cercano, donde debe ser reparada por un técnico calificado. Si esta unidad es reparada en otro lugar que no sea un Taller de Servicio Autorizado, o si la unidad se utiliza para aplicaciones comerciales, Danby no se hará responsable de ninguna forma y la garantía será anulada.

Límites del servicio técnico a domicilio Si el electrodoméstico está instalado en un lugar que se encuentra a 100 kilómetros (62 millas) o más del centro de servicios más cercano, se debe llevar la unidad al Centro de servicios Danby autorizado más cercano, ya que dicho servicio sólo puede realizarlo un técnico calificado y certificado por Danby para prestar servicios de garantía. Los cargos por transporte desde y hacia el lugar en que se efectúe el servicio técnico no están cubiertos por esta garantía y son de responsabilidad del comprador.

Nada dentro de esta garantía implica que Danby será responsable por cualquier daño que hayan sufrido los alimentos u otros contenidos de este aparato, ya sea debido a un defecto del aparato, o su uso, adecuado o inadecuado.

EXCLUSIONES

Salvo lo aquí indicado por Danby, no existen otras garantías, condiciones o representaciones, explícitas o implícitas, concretas o intencionales por parte de Danby o sus distribuidores autorizados y todas las demás garantías, condiciones o representaciones, incluyendo cualquier garantía, condiciones o representaciones bajo cualquier Acta de Venta de Productos o legislación o estatuto similar, quedan de esta forma expresamente excluidas. Salvo lo aquí indicado, Danby no serán responsables por ningún daño a personas o bienes, incluyendo la propia unidad, sin importar su causa, o de ningún daño indirecto causado por el desperfecto de la unidad, y al comprar esta unidad, el comprador acepta por la presente, indemnizar y proteger a Danby contra cualquier reclamo por daños a personas o bienes causados por la unidad.

CONDICIONES GENERALES

No se considerará ninguna de estas garantías o seguros cuando el daño o la necesidad de reparación sea el producto de los siguientes casos:

- 1) Falla del suministro eléctrico.
- 2) Daños en tránsito o durante el transporte de la unidad.
- 3) Alimentación incorrecta, como bajo voltaje, instalación eléctrica defectuosa o fusibles inadecuados.
- 4) Accidente, modificación, abuso o uso incorrecto del artefacto, tal como insuficiente ventilación del ambiente o condiciones de operación anormales (temperatura ambiente extremadamente alta o baja).
- 5) Utilización comercial o industrial (v.g., si el electrodoméstico no está instalado en una vivienda particular).
- 6) Incendio, daños por agua, robo, guerra, disturbios, hostilidades, actos de fuerza mayor como huracanes, inundaciones, etc.
- 7) Pedidos de servicio debido a desinformación del usuario.
- 8) Instalación inadecuada (v.g., instalación empotrada de un electrodoméstico diseñado como unidad independiente o uso de un electrodoméstico al aire libre que no esté aprobado para dicho fin).

Para acceder a la garantía se solicitará un comprobante de compra; por lo tanto, guarde su recibo. En caso de necesitar servicio de garantía, presente ese documento al TALLER DE SERVICIO AUTORIZADO.

Servicio de Garantía
Servicio en Domicilio

Danby Products Limited
PO Box 1778, Guelph, Ontario, Canada N1H 6Z9
Telephone: (519) 837-0920 FAX: (519) 837-0449

1-800-263-2629
07/13

Danby Products Inc.
PO Box 669, Findlay, Ohio, U.S.A. 45840
Telephone: (419) 425-8627 FAX: (419) 425-8629



KEG COOLER

All repair parts are available for purchase or special order when you visit your nearest service depot. To request service and/or the location of the service depot nearest you, call the TOLL FREE number.

When requesting service or ordering parts, always provide the following information:

- Product Type
- Model Number
- Part Number
- Part Description

BARRIL REFRIGERADOR

Todas las piezas de reparación disponibles para la compra o la orden especial cuando usted visita su depósito más cercano del servicio. Para pedir servicio y/o la localización del depósito del servicio lo más cerca posible usted, llame Danby gratis.

Al pedir servicio o pidiendo piezas, proporcione siempre la información siguiente:

- Tipo de producto
- Número de modelo
- Número de pieza
- Descripción de la parte

GLACIÈRE DE BIÈRE PRESSION

Toutes les pièces de rechange ou commandes spéciales sont disponibles à votre centre de service régional autorisé. Pour obtenir le service et/ou la localité de votre centre de service régional, signalez le NUMÉRO D'APPEL SANS FRAIS.

Ayez les renseignements suivants à la portée de la main lors de la commande de pièce ou service:

- Type de produit
- Numéro de modèle
- Numéro de pièce
- Description de la pièce



MODEL • MODÈLE • MODELO
DKC054A1BSLDB