

Inspire Pocket Spring

30in Folding Bed

Features

- British made with a lifetime frame guarantee
- Patent pending folding mechanism for optimum space saving
- J-Tex™ sprung base system for durability, support and comfort
- Full width headboard in an Anthracite Oak effect finish
- Luxurious Pocket spring mattress
- Exceeds British, European and North American safety standards
- 360° castors for easy maneuverability
- Durable powder coat paint finish
- Suitable for regular use

Product SKU's

Folding Bed: 108815 Mattress: 908815

Accreditations

Tested and accredited to British, European and North American safety standards including:

Relating to the Frame

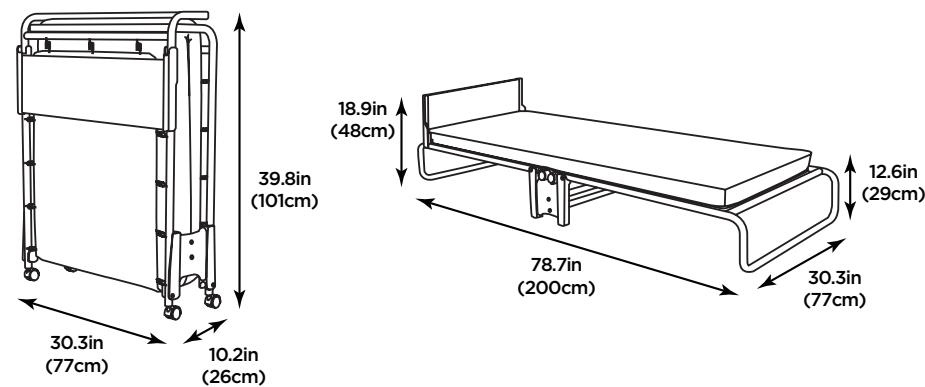
BS EN 1725

Relating to the Mattress

- BS EN 597-1 - FR requirement
- BS EN 597-2 - FR requirement
- BS 6807 - Clause 9 (Source 5) FR requirement
- BS 7177 Contract - FR requirements
- 16 CFR 1633 Standard

Dimensions & Packaging

Packed size: 31.9 x 10.2 x 39in (7.36ft³) Weight: 53.4lb



Bed weight: 46lb
Space under bed when open: 7.5in (19cm)
Mattress dimensions: W26.8in (68cm) L74.8in (190cm) D3.9in (10cm)

*Please note all user weights are guidelines only. We strongly advise that you check and assess the product judging its suitability and safety for use, based on your own physical condition.



With J-Tex™ Sprung Base System
*350lb User Weight



JAY-BE
Sleep Smart

The Inspire Folding Bed with Pocket Spring offers exceptional comfort and durability as well as space-saving convenience. The patent pending design makes the Inspire more compact, sturdy and comfortable than traditional folding beds. For luxurious personal comfort this JAY-BE® folding bed features a pocket spring mattress, encapsulating over 400 individual pocket springs. Each spring works independently with the sumptuous fillings to adapt to the contours of your body. The mattress rests on the JAY-BE® J-Tex™ spring base system for the perfect combination of durability and full body support. J-Tex™ is made from PVC coated woven polyester, a specially engineered technical fabric designed to be stretch resistant and offer long term durability.

Suspended using high-tension springs, the J-Tex™ sprung base system is extremely strong and independently tested and proven to perform as well as regular permanent beds. It also comes with a headboard to stop your pillows escaping. For easy maneuverability, 360° castors allow you to simply glide this guest bed to where you need it, when you need it.

All JAY-BE® folding beds are made in the UK and come with a FREE lifetime frame guarantee for your complete quality assurance.