

# Saver Airflow Fiber

28in Folding Bed

## Features

- British made with a lifetime frame guarantee
- J-TeX™ sprung base system for durability, support and comfort
- Breathable Airflow Fiber mattress
- Durable powder coat paint finish
- Exceeds British, European and North American safety standards
- Compact design for easy storage
- Suitable for regular use

## Product SKU's

Folding Bed: 101702 Mattress: 902702

## Accreditations

Tested and accredited to British, European and North American safety standards including:

## Relating to the Frame

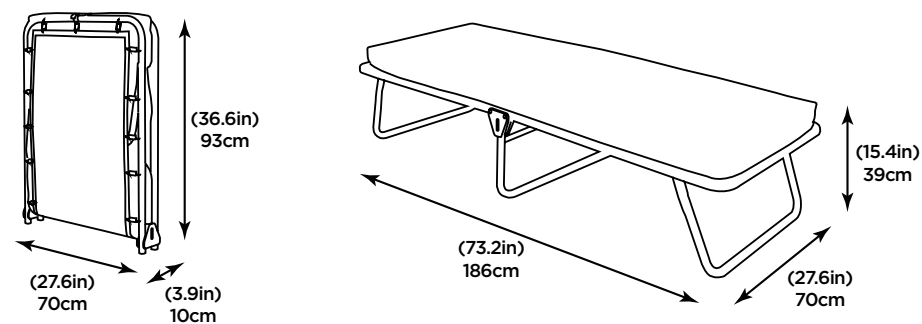
BS EN 1725

## Relating to the Mattress

- BS EN 597-1 - FR requirement
- BS EN 597-2 - FR requirement
- BS 6807 - Clause 9 (Source 5) FR requirement
- BS 7177 Contract - FR requirements
- 16 CFR 1633 Standard

## Dimensions & Packaging

Packed size: 28.3 x 4.7 x 37.4in (2.9ft<sup>3</sup>) Weight: 23.4lb



Bed weight: 19lb  
Space under bed when open: 11.8in (30cm)  
Mattress dimensions: W25.6in (65cm) L72in (183cm) D2in (5cm)



With J-TeX™ Sprung Base System

**JAY-BE**  
Sleep Smart



Every home has space for the JAY-BE® Saver Folding Bed. The compact design when folded means it can be stored just about anywhere; under a bed, in a closet or even the trunk of your car when visiting friends and family. This lightweight and portable bed is the perfect solution for both unexpected guests and regular sleepovers; simply unfold and it's ready to use in seconds.

The breathable fiber mattress works in harmony with the J-TeX™ sprung base system to support the whole body for a comfortable night's sleep.

All JAY-BE® folding beds are made in the UK and come with a FREE lifetime frame guarantee for your complete quality assurance.