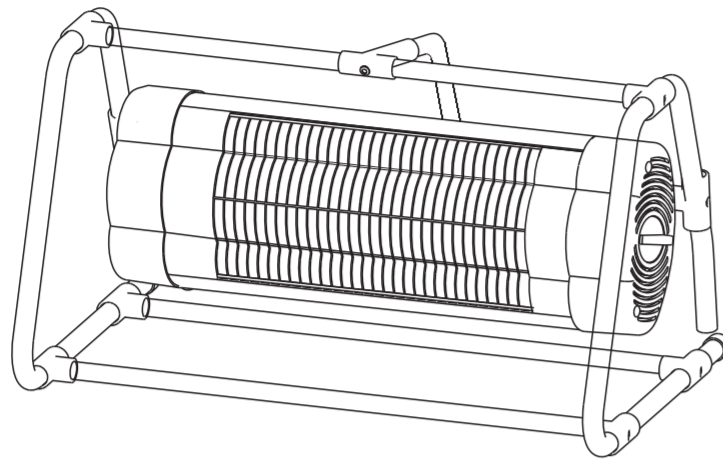


130x190mm



**OWNER'S MANUAL**  
HEATER  
MODEL # HIL-PHB-1500



**ATTACH YOUR RECEIPT HERE**

Serial Number \_\_\_\_\_ Purchase Date \_\_\_\_\_

**Questions, problems, missing parts?** Before returning to your retailer, call our custom service department at 1-888-775-1330, 7 a.m. - 4 p.m., PST, Monday - Friday. Or email our warranty department at warranty@zapatioheaters.com

**NOTE**

This product can be freestanding or wall mounted.

**SPECIFICATION**

Voltage Rating	120 V (60 Hz)
Power Consumption	1,500 W
Unit Size	16.3 in. (W) x 25.8 in. (D) x 14.8 in. (H)
Unit Weight	11.7 lbs.

**SAFETY INFORMATION**

Please read and understand this entirely before attempting to assemble, operate or install the product.

**WARNING**

When using this electric unit, basic safety precautions should always be followed to reduce the risk of fire, electric shock, and injury to persons, including the following:

1. Read ALL instructions before using this unit.
2. CAUTION: Risk of Electric Shock. DO NOT open or try to repair the heater by yourself.
3. This heater may get hot when in use. To avoid burns, DO NOT let bare skin touch hot surfaces. If provided, use handles when moving this heater.
4. Keep combustible materials, such as furniture, pillows, bedding, paper, clothes, and curtains at least 3 ft from the front of the heater and keep them away from the sides, top, and rear. DO NOT place towels or other objects on the heater.
5. Extreme caution is necessary when any heater is used by or near children or the disabled, or when the heater is left operating and unattended.
6. DO NOT operate any heater with a damaged cord or after the heater malfunctions, has been dropped or damaged in any manner. Return heater to authorized service facility for examination, electrical or mechanical adjustment, or repair.
7. This heater is not intended for use in bathrooms, laundry areas and similar indoor locations. NEVER locate heater where it may fall into a bathtub or other water container. To protect against electrical hazards, DO NOT immerse in water or other liquids.
8. DO NOT touch the control panel or plug with a wet hand.
9. DO NOT run cord under carpeting. DO NOT cover cord with throw rugs, runners, or similar coverings. Arrange cord away from traffic area and where it will not be tripped over.
10. DO NOT insert or allow foreign objects to enter any ventilation or exhaust opening as this may cause an electric shock or fire, or damage the heater.
11. To prevent a possible fire, DO NOT block the air intakes or exhaust in any manner. DO NOT use on soft surfaces like a bed, where openings may become blocked.
12. A heater has hot and arcing or sparking parts inside. DO NOT use in areas where gasoline, paint, explosive and/or flammable liquids are used or stored. Keep unit away from heated surfaces and open flames.
13. Always plug heaters directly into a wall outlet/receptacle. Never use with an extension cord or relocatable power tap (outlet/power strip).

**SAFETY INFORMATION**

14. To avoid fire or shock hazard, plug the unit directly into a 120 V AC electrical outlet.
15. To disconnect heater, turn controls to OFF, then remove plug from outlet. Pull firmly on the plug. DO NOT unplug by pulling on the cord.
16. Always unplug the unit before moving or cleaning, or whenever the heater is not in use.
17. Use only for intended household use as described in this manual. Any other use not recommended by the manufacturer may cause fire, electric shock, or injury to persons. The use of attachments not recommended or sold by unauthorized dealers may cause hazards.
18. Always use on a dry, level surface. Use on floor only.
19. DO NOT use outdoors.
20. WARNING: To reduce the risk of fire or electric shock, DO NOT use this unit with any solid-state speed control device.
21. DO NOT attempt to repair or adjust any electrical or mechanical functions on this unit. Doing so will void your warranty. The inside of the unit contains no user serviceable parts. Qualified personnel should perform all servicing only.
22. Connect to properly grounded outlets only.
23. Save these instructions.

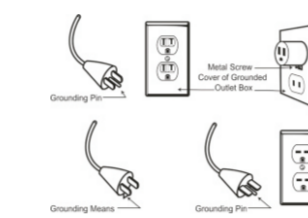
**SAFETY FEATURES**

**Anti-Tilt Safety Switch**

This heater is equipped with an anti-tilt safety switch. Once the heater is tipped over, an internal switch will automatically shut the heater off. Once the heater is restored to an upright position, the heater will reset. To continue operation, turn on the heater using the supplied remote control or the control panel on the heater.

**Overheat Safety Feature**

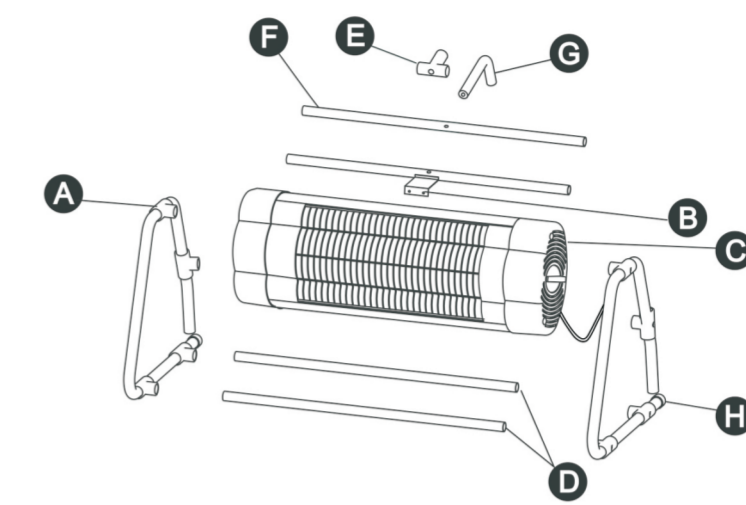
This heater is equipped with a thermocouple safety feature. When the heaters internal components reach a certain temperature that could cause overheating and possible fire, the heater will automatically shut off.



**WARNING:** This heater has a voltage rating of 120 volts. The cord has a three-blade, grounding-type plug. An adapter is available for connecting three-prong grounding-type plugs to two-slot receptacles. The grounding plug extending from the adapter must be connected to a permanent ground such as a properly grounded outlet box. The adapter should not be used if a three-slot grounded receptacle is available. **DO NOT DEFEAT THE SAFETY PURPOSE OF THE GROUNDED PLUG.**

**WARNING:** It is normal for the power cord to feel warm to the touch; however, a loose fit between the outlet and the plug may cause overheating of the plug. If this occurs, try inserting the plug into a different outlet. Contact a qualified electrician to inspect the original outlet for damage.

**PACKAGE CONTENTS**



PART	DESCRIPTION	QUANTITY	PART	DESCRIPTION	QUANTITY
A	Support tube	2	F	Top tube	1
B	Connecting tube	1	G	Handle tube	1
C	Heater	1	H	Foot	2
D	Bottom tube	2			
E	Rubber connector	1			

**Questions, problems, missing parts?** Before returning to your retailer, call our custom service department at 1-888-775-1330, 7 a.m. - 4 p.m., PST, Monday - Friday. Or email our warranty department at warranty@zapatioheaters.com

**HARDWARE CONTENTS** (shown actual size)



**PREPARATION**

Before beginning assembly of product, make sure all parts are present. Compare parts with package contents list and hardware contents list. If any part is missing or damaged, do not attempt to assemble the product.

Estimated Assembly Time: freestanding assembly, 10 minutes; wall-mounted assembly, 3 minutes.

Tools required for assembly (not included): Electrical drill and Phillips screwdriver.

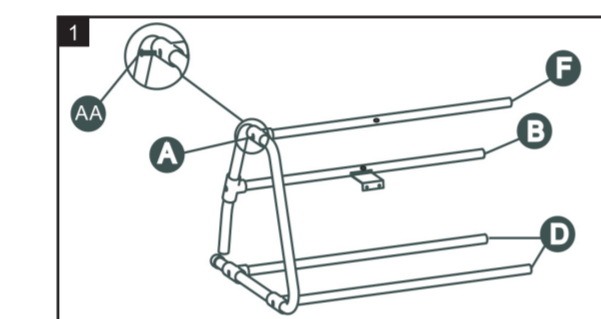
**Questions, problems, missing parts?** Before returning to your retailer, call our custom service department at 1-888-775-1330, 7 a.m. - 4 p.m., PST, Monday - Friday. Or email our warranty department at warranty@zapatioheaters.com

**ASSEMBLY INSTRUCTIONS - FREESTANDING**

1. Attach the top tube (F), the connecting tube (B) and two bottom tubes (D) to one of the support tubes (A) with four M6x30 screws (AA). Tighten the screws using the hexagonal screwdriver (DD).

**Hardware Used**

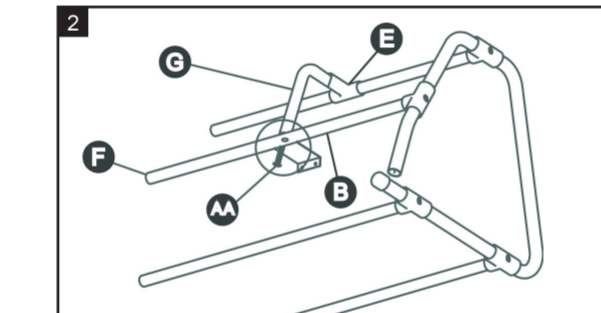
AA M6x30 Screws Qty: 4



2. Turn over the assembly from Step 1. Slide the rubber connector (E) to the middle of the top tube (F). Insert the long side of the handle tube (G) into the rubber connector; then secure the short side of the handle tube (G) to the connecting tube (B) with an M6x30 screw (AA). Tighten the screw using the hexagonal screwdriver (DD).

**Hardware Used**

AA M6x30 Screws Qty: 1

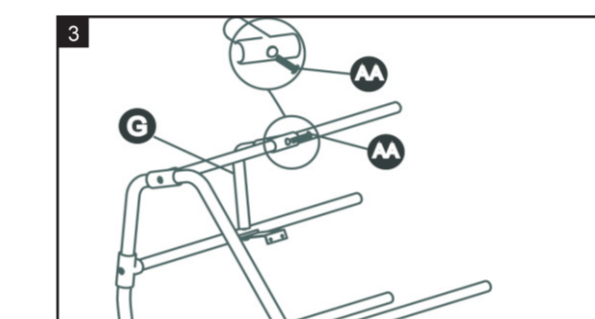


**Questions, problems, missing parts?** Before returning to your retailer, call our custom service department at 1-888-775-1330, 7 a.m. - 4 p.m., PST, Monday - Friday. Or email our warranty department at warranty@zapatioheaters.com

3. Turn over the assembly again. Secure the long side of handle tube (G) to the top tube (F) with an M6x30 screw (AA). Tighten the screw using the hexagonal screwdriver (DD).

**Hardware Used**

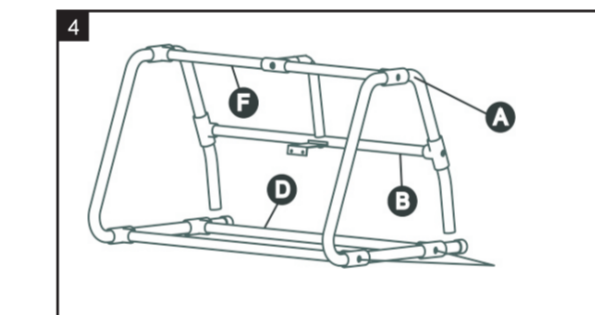
AA M6x30 Screws Qty: 1



4. Secure the second support tube (A) to two bottom tubes (D), connecting tube (B) and top tube (F) with four M6x30 screws (AA). Tighten the screws using the hexagonal screwdriver (DD).

**Hardware Used**

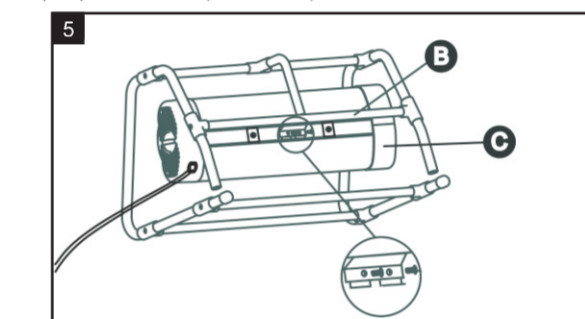
AA M6x30 Screws Qty: 4



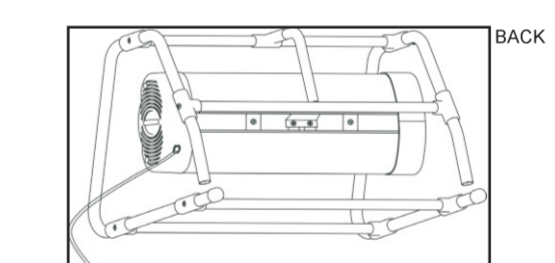
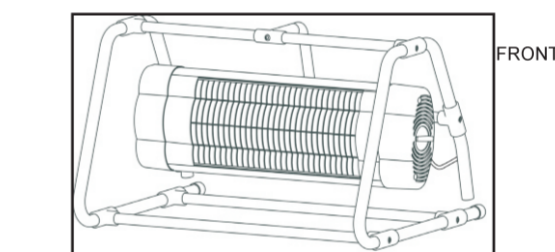
**Questions, problems, missing parts?** Before returning to your retailer, call our custom service department at 1-888-775-1330, 7 a.m. - 4 p.m., PST, Monday - Friday. Or email our warranty department at warranty@zapatioheaters.com

**ASSEMBLY INSTRUCTIONS - FREESTANDING**

5. Remove the two middle pre-assembled screws from the back of the heater (C) by phillips screwdriver (not included). Attach the heater to the connecting tube (B) using these two screws by phillips screwdriver (not included).



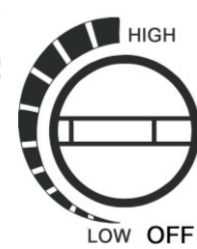
After assembly, the product should appear like this:



**Questions, problems, missing parts?** Before returning to your retailer, call our custom service department at 1-888-775-1330, 7 a.m. - 4 p.m., PST, Monday - Friday. Or email our warranty department at warranty@zapatioheaters.com

**OPERATING INSTRUCTIONS**

The heater will power off when the thermostat knob is in the OFF position. Turn the thermostat dial clockwise toward "HIGH" direction to turn the heater on. It is recommended to turn the knob closer to "HIGH" when using the heater in large rooms.



**CARE AND MAINTENANCE**

1. Unplug the unit and let it cool completely.
2. To keep the heater clean, the outer shell may be cleaned with a soft, damp cloth. You may use a mild detergent if necessary. After cleaning, dry the unit with a soft cloth. CAUTION: DO NOT let liquid enter the heater.
3. DO NOT use alcohol, gasoline, abrasive powders, furniture polish, or rough brushes to clean the heater. This may cause damage or deterioration to the surface of the heater.
4. DO NOT immerse the heater in water.
5. Wait until the unit is completely dry before use.

**TROUBLESHOOTING**

PROBLEM	POSSIBLE CAUSE	CORRECTIVE ACTION
The heater does not turn on.	1. The power cord is not plugged in. 2. The electricity at the main fuse box is not working.	1. Plug the power cord into an electrical outlet. 2. Check the electricity at the main fuse box.
	3. The thermostat on the heater is set lower than the room temperature.	3. Increase the thermostat temperature on the heater for a higher heat setting.

**Questions, problems, missing parts?** Before returning to your retailer, call our custom service department at 1-888-775-1330, 7 a.m. - 4 p.m., PST, Monday - Friday. Or email our warranty department at warranty@zapatioheaters.com

**ONE-YEAR LIMITED WARRANTY**

**CUSTOMERS IN USA**

Do not return this product to the store where you purchased it. Please call 1-888-775-1330 for assistance.

**CUSTOMERS IN CANADA**

Only return this product to the store if it was purchased within 90 days. If you have problems after 90 days of purchase, please CALL 1-888-775-1330, DATED PROOF OF PURCHASE REQUIRED FOR WARRANTY SERVICE. Or email the warranty department at warranty@zapatioheaters.com.

This product is inspected, tested and carefully packaged to minimize the chance of damage during shipment. If a part (excluding light bulbs and fuses\*) within one year from the date of purchase proves to be defective in material or fabrication under normal use, the part will be repaired or replaced. The Company's obligation under the warranty is to replace or repair defective parts at our discretion. Any expenses or damage resulting from the installation, removal or transportation of the product will be the responsibility of the owner and are not covered by this warranty. The owner assumes all other risks arising out from the use or misuse of the product. The warranty will be void if the product damage or failure is deemed by the Company to be caused by accident, alteration, misuse, abuse, incorrect installation or removal, or connection to an incorrect power source by the owner. The Company neither assumes, nor authorizes any person or entity to assume for it any obligation or liability associated with its products.

\* Light bulbs and fuses are not covered under this warranty.

If you have any questions regarding the warranty or service, please call our toll free number: 1-888-775-1330.

**Distributed by:**  
AZ Patio Heaters, LLC  
Toll Free Number 1-888-775-1330  
Sales Service and Repair  
www.zapatioheaters.com

**Questions, problems, missing parts?** Before returning to your retailer, call our custom service department at 1-888-775-1330, 7 a.m. - 4 p.m., PST, Monday - Friday. Or email our warranty department at warranty@zapatioheaters.com