

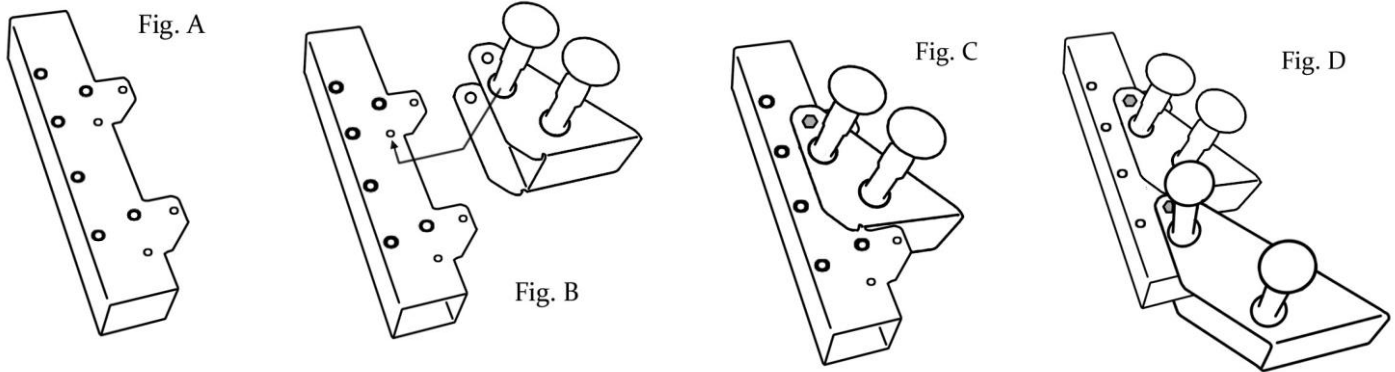


PupSTEP® Hitch Step™ **Care & Use Guide**

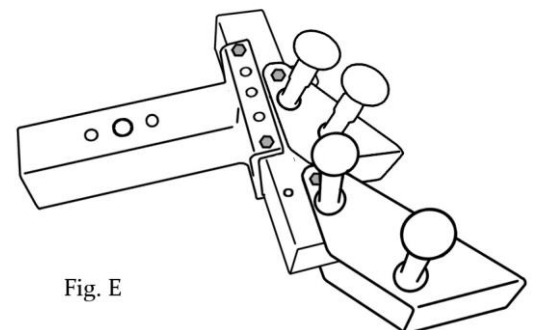
Thank you for purchasing the Solvit PupSTEP Hitch Step. The package should contain: one upper step; one lower step; one upper-step bracket with spring-pins; one lower-step bracket with spring-pins; one square vertical mounting tube; one hitch insert; and one polybag containing: two bolts @ 2.75" long; two bolts @ 3" long; four 13/16" washers; one 15/16" washer; four nuts; and one 3-5/8" long bolt with "R" clip. A visual parts list is available at the end of this document.

Assembly:

- 1) Attach step brackets to vertical mounting tube:
 - a) On a flat surface, position the vertical mounting tube as in Fig. A, with the "Solvit" logo facing away
 - b) Retract the spring pin on the upper-step bracket by pulling back on the black spring-pin cap, and
 - c) Slide the two flanges of the upper-step bracket over the mounting tube to position the spring pin over the lower position hole (see arrow on Fig. B)
 - d) Release spring-pin cap to allow spring-pin to engage the hole
 - e) Swivel the bracket until the hole on the bracket aligns with the corresponding large hole on the vertical mounting tube
 - f) Insert 11/16" x 2.75" bolt through the large holes on the bracket and mounting tube, place a washer and nut on the end of the bolt, and tighten just until the end of the bolt is even with or slightly past the outer edge of the nut. Do not overtighten. The sub-assembly should now look like Fig. C.
 - g) Repeat steps b-f with the lower-step bracket (see Fig. D)

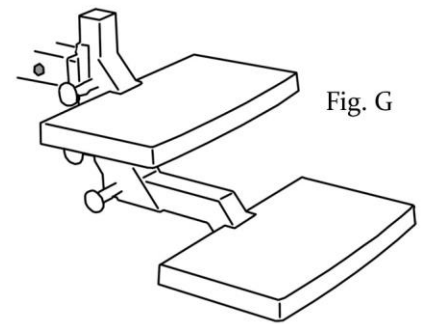
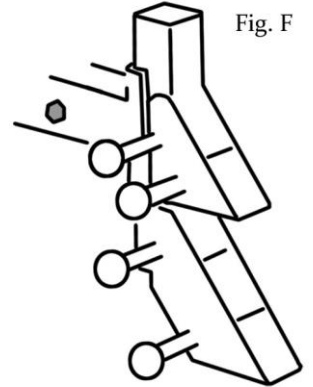


- 2) Attach hitch insert to vertical mounting tube
 - a) Slide the flanges of the hitch insert over the edge of the vertical mounting tube so the top hole on the insert aligns with the top hole along the edge of the mounting tube (see Fig. E)
 - b) Insert 11/16" x 3" bolt through holes in insert and mounting tube. Place washer and nut on opposite end and finger-tighten only
 - c) Repeat step b) with the other 3" bolt placed through the bottom hole of the insert and through the mounting tube. Attach washer and nut and finger-tighten only



3) Test-fitting the steps on the vehicle

- a) Take this sub-assembly plus both steps and the 3-5/8" bolt to the vehicle
- b) Mount the sub-assembly to the vehicle by sliding the hitch insert into the vehicle's hitch receiver until the first hole in the hitch insert is aligned with the hole in the vehicle receiver. Insert the 3-5/8" bolt into this hole and turn a few times by hand (see Fig. F). This will hold the insert in place while performing the following steps...
- c) Place the upper and lower steps into the respective step brackets by retracting the red spring-pin cap, sliding the step into the bracket and releasing the spring-pin so the pins engage the holes on the step brackets (see Fig. G). Note the square tube on the lower step has two position holes – for now, use the hole near the open end.
- d) Examine the position of each step relative to the height of vehicle's cargo area and the ground. The two steps should be roughly in the middle of this vertical span. To raise the position of the steps, first remove them from the brackets and set aside. Then remove the two bolts described in steps 2)b) and 2)c) and move the mounting bracket up until the holes on the bracket align with holes on the hitch insert. Replace the two 3" bolts and two steps and re-measure the vertical spacing.
- e) Once the preferred height of the steps is achieved, firmly tighten the nuts on the 3" bolts connecting the hitch insert and vertical mounting tube.



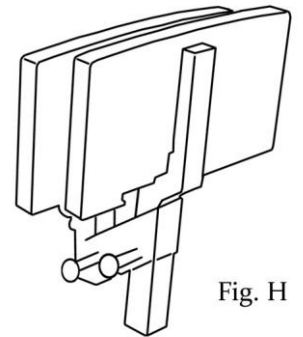
4) Connecting hitch insert to vehicle: The hitch insert includes three mounting holes along the square tube section. The first and third holes are threaded, and work with the included 3-5/8" bolt. The middle mounting hole is larger, has no threads, and works with a "standard" (5/8") hitch pin which is available for purchase from Solvit's website, or from automotive parts retailers.

To determine which attachment method is better, consider:

- The "standard" hitch pin requires no tools to install/uninstall but the result is the hitch insert is relatively loose in the hitch receiver, which allows the steps to move more when used.
- The threaded, 3-5/8" bolt "clamps" the hitch insert to the hitch receiver and reduces movement between these two parts. This method also offers two mounting positions, to better fit the vehicle. This method requires a wrench to install/uninstall so it is not as easy to remove the entire assembly from the vehicle. However, because the steps can be removed or stowed when not in use, the hitch assembly can be left in place, so we recommend using this method of attachment.

(Always make sure to insert the "R" clip into the end of the 3-5/8" bolt. **This is an important safety feature!**)

5) Using the Hitch Step: Once the mounting bracket sub-assembly is connected to the vehicle, the steps can be stowed in the horizontal or vertical position, or removed and stowed inside the vehicle. Releasing the black spring-pins allows the stairs to move between the vertical and horizontal positions. Releasing the red spring-pins allows the steps to be removed from the mounting bracket. If you plan to leave the steps in the mounting bracket while driving, we recommend stowing them in the vertical position to avoid road grime and debris (see Fig. H). The lower step has two position holes and we recommend locating the spring-pin in the hole closest to the step platform when stowed, and the opposite hole when in use.



For vehicles with 1.25" hitch receivers, Solvit offers a special adapter. Check our website for more details.

CAUTION: To avoid injury, always maintain control of the steps when raising and lowering.

Periodically check all bolts to make sure they are tight. If you have connected the hitch insert using the 3-5/8" bolt, make sure the "R" clip is installed. **This is an important safety feature!**

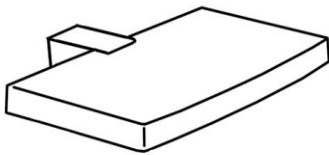
Cleaning: Spray unit with a strong jet of water to remove dirt and other road debris. Remove steps before entering a drive-through car wash.

Limited Lifetime Warranty: The Hitch Step is warranted to be free from defects in materials or workmanship for the life of the product. Some restrictions apply, so please visit our website for more details. A copy of the original sales receipt is required for warranty issues.

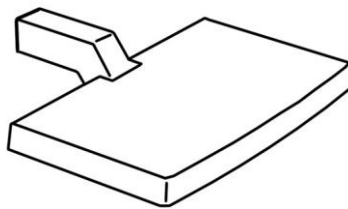
SOLVIT Products is dedicated to offering innovative solutions to improve pets' mobility. Please feel free to contact us with any questions, comments, or warranty issues. Thank you for your purchase!

Parts List (images not to scale)

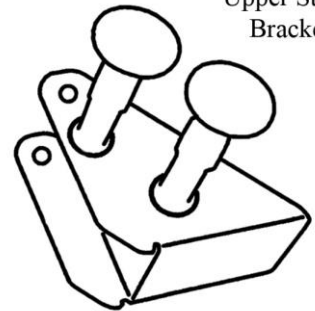
Upper Step



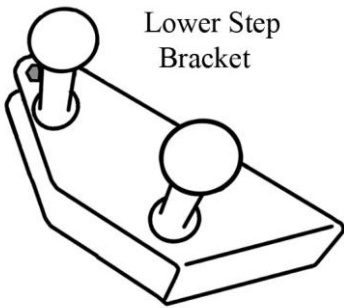
Lower Step



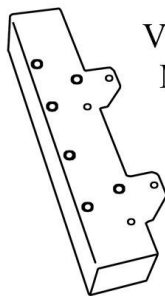
Upper Step Bracket



Lower Step Bracket



Vertical Mounting Tube



Hitch Insert

