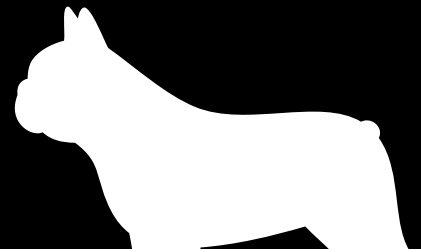
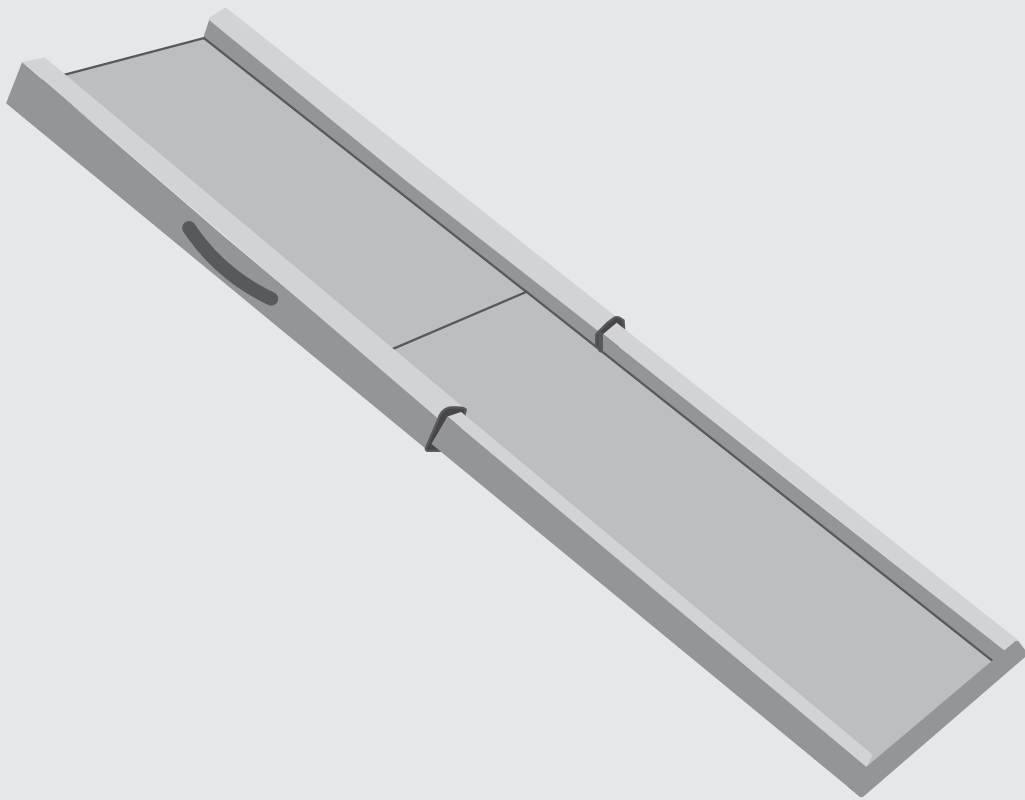


Premier PetTM



Telescoping Vehicle Pet Ramp

62305 | Product Manual



Have questions about your Pet Ramp or need training tips for your pet?

Our Customer Care representatives are here to help you.

Call our USA-based Customer Care Center at

+1 (866) 381-2785

USA & Canada: Mon-Fri 8am-8pm EST | Sat 9am-5pm EST

This product includes a one-year warranty.

Call, click, or chat with us before you return your product.

premierpet.com

Hereinafter Radio Systems Corporation and any other affiliate or Brand of Radio Systems Corporation may be referred to collectively as “We” or “Us”.

IMPORTANT SAFETY INFORMATION

Explanation of Attention Words and Symbols used in this Product Manual

 This is the safety alert symbol. It is used to alert you to potential personal injury hazards. Obey all safety messages that follow this symbol to avoid possible injury or death.

⚠ WARNING WARNING indicates a hazardous situation which, if not avoided, could result in death or serious injury.

⚠ CAUTION CAUTION, used with the safety alert symbol, indicates a hazardous situation which, if not avoided, could result in minor or moderate injury.

CAUTION CAUTION, used without the safety alert symbol, indicates a hazardous situation which, if not avoided, could result in harm to your pet.

NOTICE NOTICE is used to address practices not related to personal injury.

⚠ WARNING

- Read and understand all instructions. Failure to follow all instructions may result in serious injury or property damage.
- Do not allow other persons to operate or assemble the product until they have read this manual and have developed a thorough understanding of how it works.
- Always be aware of your environment and ensure that the product is used in a safe and responsible manner.
- Do not exceed the rated load capacity. Exceeding the load limit will void the product warranty and could cause injury to the pet or pet owner.
- Use product on a stable level surface.
- Inspect product for defects or damage before each use.
- Use as a pet product ONLY!

⚠ CAUTION

- Check for damaged parts before each use. Carefully check that the product will operate properly and perform its intended function. Replace damaged or worn parts immediately. Never operate the product with a damaged part.
- Store the product when it is not in use. Store it in a dry, secure place out of the reach of children. Inspect the product for good working condition prior to storage and before re-use.
- During extension or collapsing of the product, do not insert hands anywhere there is a potential for pinching or crushing.

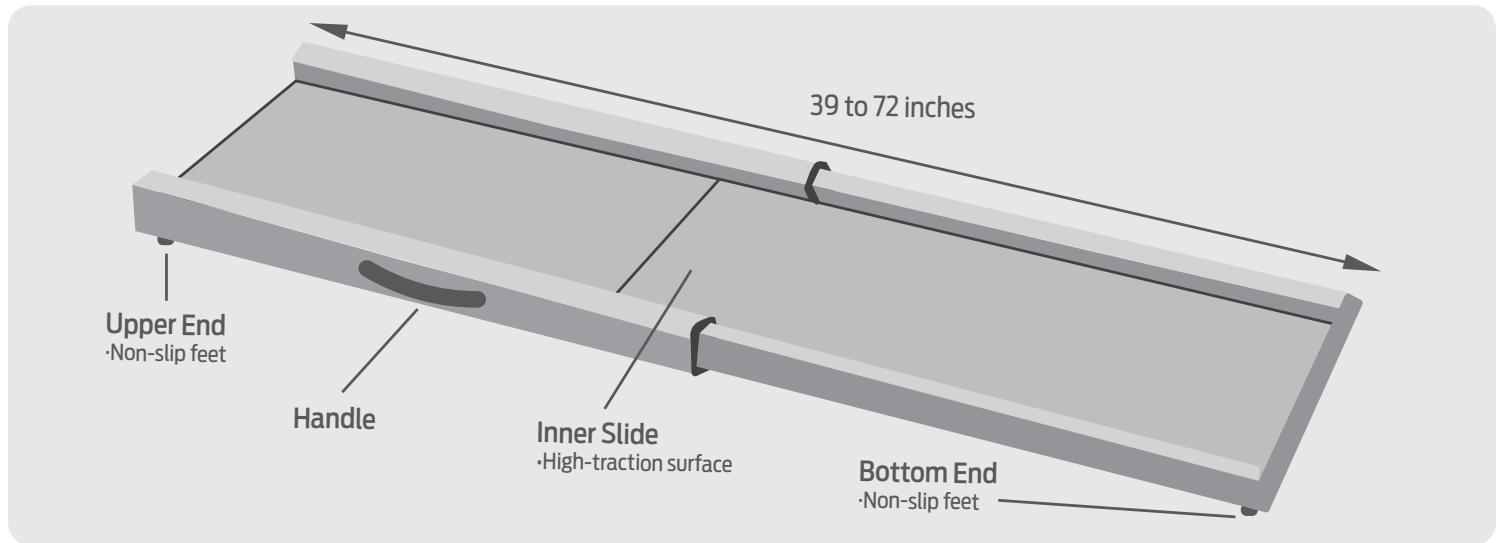
CAUTION

- Never leave the product unattended with a pet present.
- Inspect the product after each use and clean as needed. Make sure dirt, oil, grease, or debris is not present on the product that could cause the pet to slip or be injured in a fall.

NOTICE

- Do not modify this product in any way. Unauthorized modification may impair the function and/or safety and could affect the life of the product. There are specific applications for which the product was designed.

What's Included



How It Works

The Premier Pet™ Telescoping Vehicle Pet Ramp does it all with safety, adjustability, and ease-of-use. Perfect for helping your pet into a car, SUV, truck, or boat. This ramp telescopes from 39 inches to 72 inches in length to help your pet access a variety of heights and supports up to 400 lb. Your pet will feel confident on the ramp because it provides secure footing on a tough, rigid frame. No slipping, sliding, bounce, or sway to scare them off, yet it is still amazingly light at just 13 lb., making it great for transporting. The Telescoping Vehicle Pet Ramp is also designed to protect hands, paws, and car finishes from scrapes and pinches.

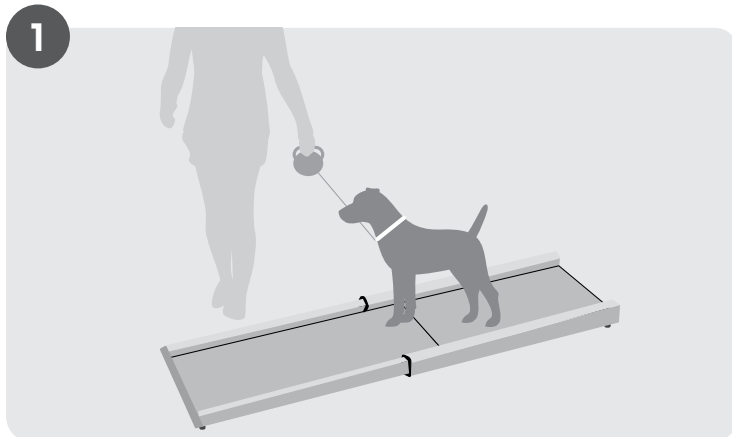
Setup Instructions

1. Pull out the inner slide to the required length and set it on the ground.
2. Set the angled, upper end on the surface to which the pet is trying to climb (SUV, boat, etc.). Be sure the ramp is stable.
3. When finished, push the inner slide back into the closed position and lock.

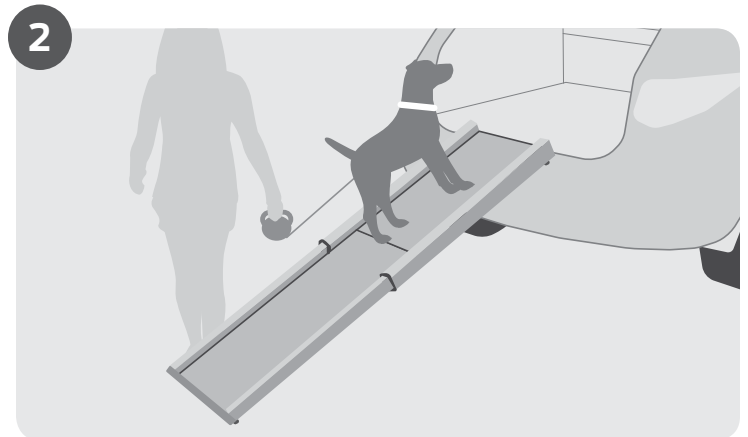
Training

Allow your pet to become familiar with the ramp prior to the first use. Lay the ramp flat on the ground and place treats or other items familiar to the pet on the ramp. Offering reassurance and praise, lead your pet across the ramp with their favorite treats. Raise the ramp in small amounts and continue training with treats before using with a vehicle or other higher surface.

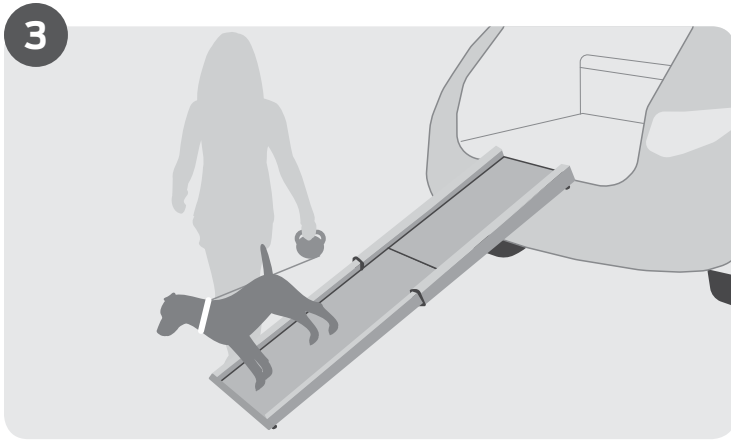
Note: Before using the ramp be sure to train your pet using the training tips presented below in this manual.



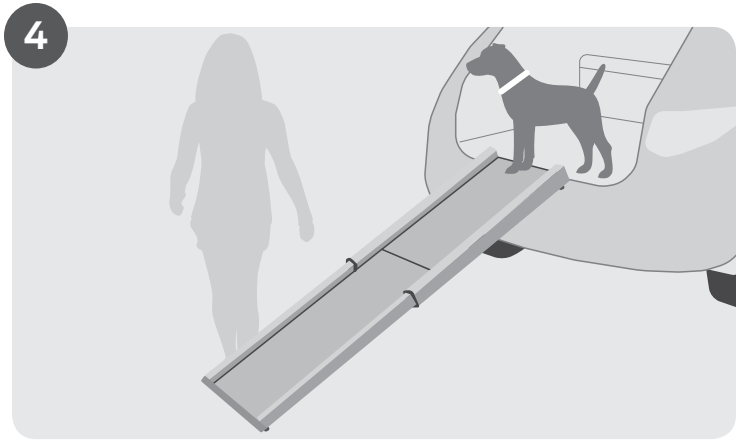
1. Place the ramp flat on the ground and lead your pet across with treats. Treat frequently to encourage your pet.



2. Once your pet is comfortable with the ramp, move the training to the vehicle that will be used.



3. Reward your pet frequently while walking up and down the ramp with treats until they are comfortable.



4. When your pet is walking up and down the ramp independently, treats are no longer needed unless desired.

Tips & Maintenance

- The ramp holds itself in place when weight is applied, so there are no additional locking mechanisms when open.
- Make sure pets walk only on the high-traction surface and stay away from the edges of the ramp.
- When using with vehicles, have your pet stay inside the vehicle until the ramp is deployed, then walk your pet down safely.

Storage

- Be sure the ramp is stored with the inner slide in a closed position.
- When stored in vehicle make sure the ramp is lying flat and secure.

Cleaning

- The aluminum and plastic parts can be cleaned with mild household cleaner.
- The tread material can be cleaned with mild detergent and a stiff brush, or a strong jet of water.

Terms of Use and Limitation of Liability

1. Terms of Use

The use of this product is subject to your acceptance without modification of the terms, conditions, and notices contained with this product. Use of this product implies acceptance of all such terms, conditions, and notices. If you do not wish to accept these terms, conditions, and notices, please return the product, unused, in its original packaging and at your own cost and risk to the relevant Customer Care location together with proof of purchase for a full refund.

2. Proper Use

Proper Use includes, without limitation, reviewing the entire Product Manual and any specific safety information statements. The specific temperament or size/weight of your pet may not be suitable for this product. If you are unsure whether this product is appropriate for your pet, please consult your veterinarian or certified trainer prior to use. For products used with pets where training is desired, Radio Systems Corporation recommends that these training products are not used if your pet is aggressive and accepts no liability for determining suitability in individual cases.

3. No Unlawful or Prohibited Use

This product is designed for use with pets only. This product is not intended to harm, injure, or provoke. Using this product in a way that is not intended could result in violation of Federal, State, or local laws.

4. Limitation of Liability

In no event shall Radio Systems Corporation or any of its associated companies be liable for (i) any direct, indirect, punitive, incidental, special or consequential damage, and/or (ii) any loss or damages whatsoever arising out of or connected with the use or misuse of this product. The Purchaser assumes all risks and liability from the use of this product to the fullest extent permissible by law.

5. Modification of Terms and Conditions

Radio Systems Corporation reserves the right to change the terms, conditions, and notices governing this product from time to time. If such changes have been notified to you prior to your use of this product, they shall be binding on you as if incorporated herein.

Warranty

One Year Non-Transferable Limited Warranty

This product has the benefit of a limited manufacturer's warranty. Complete details of the warranty applicable to this product and its terms can be found at www.premierpet.com.