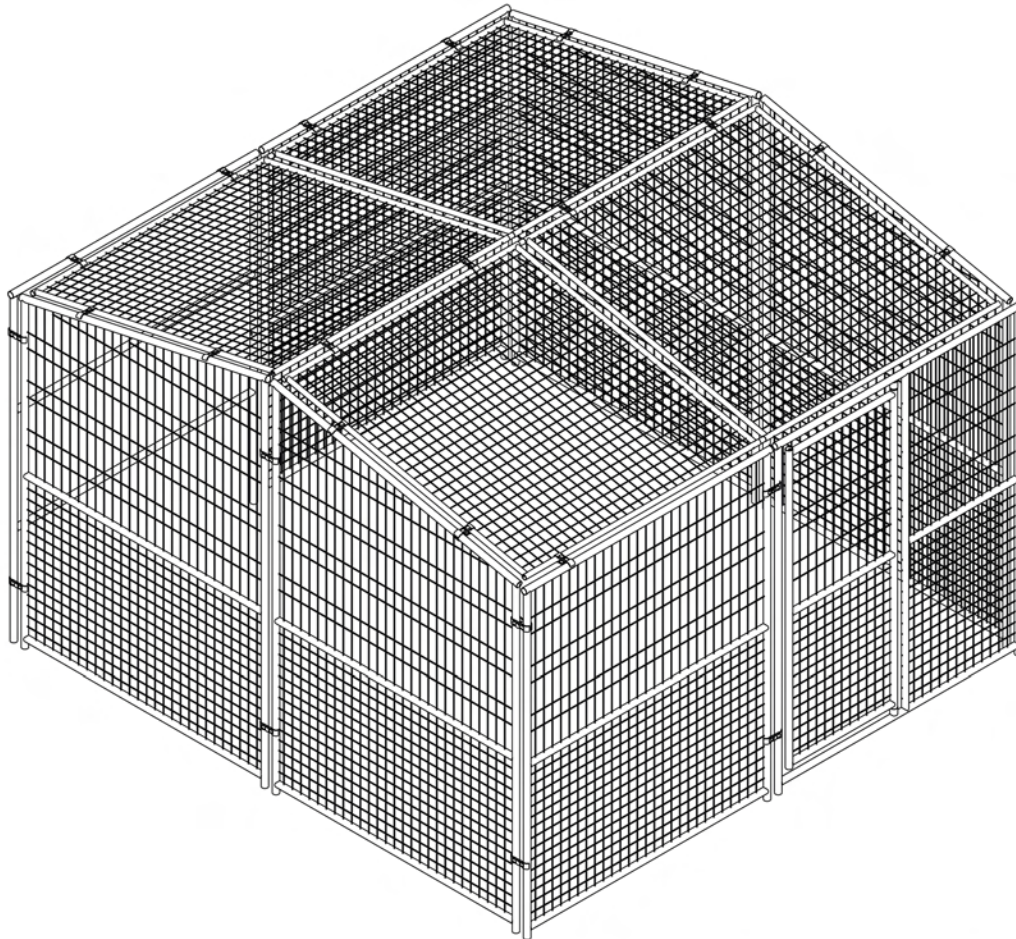




8'x8' UNIVERSAL POULTRY PEN ASSEMBLY MANUAL

SKU # 1333983



Tools Required
For Assembly
(NOT INCLUDED)



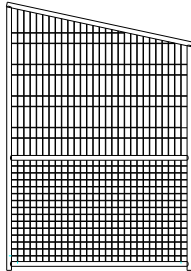
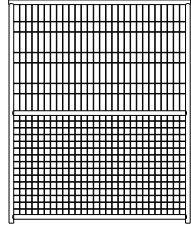
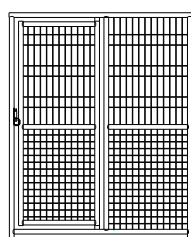
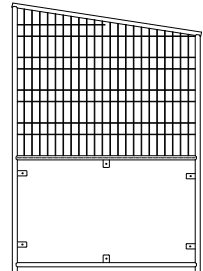
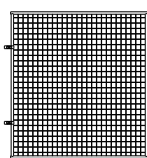
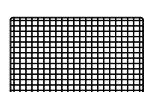
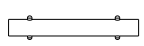
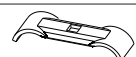
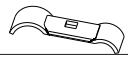

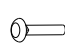
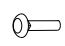

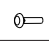


Distributed by:
TRACTOR SUPPLY COMPANY
5401 VIRGINIA WAY
BRENTWOOD, TN 37027
For customer support, call: 1-888-376-9601
www.TractorSupply.com
MADE IN CHINA



WARNING

- Make sure the pen was installed on a flat, level, hard surface before assembly.
- Hardware may loosen during normal operation stresses. Inspect regularly, tighten all loose hardware and loose cords.
- This product is not a toy. Do not allow children to play with or near this item.

PARTS LIST

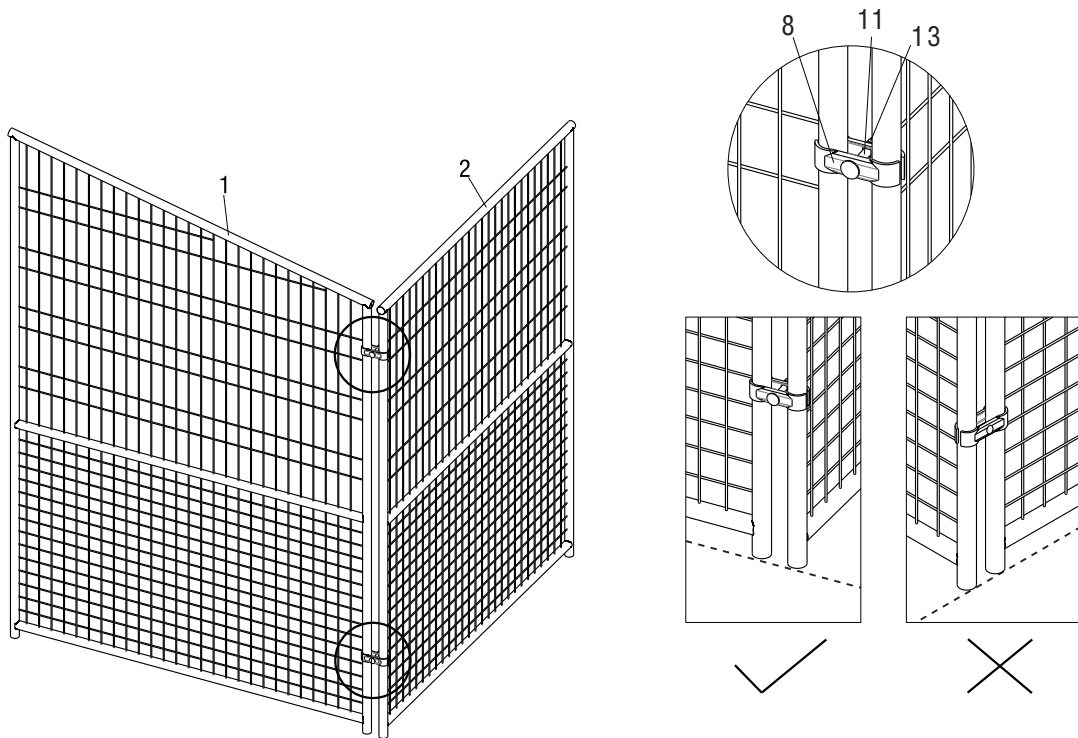
Part#	Description	Drawing	Qty.
1	Side Panel I		3
2	Standard panel		3
3	Door panel		1
4	Side Panel II		1
5	Roof Panel		4
6	Moveable Mesh (pre-assembled on side panel II)		1
7	Connecting tube		4
8	32-32 clamp		32
9	32-25 clamp		24
10	25-25 clamp		8
11	M10x50 bolt		16
12	M10x35 bolt		20
13	M10 luck nut		36
14	M6x12 bolt		6
15	M6 luck nut		6
16	Baffle		6

- Please select a flat place for the assemble of the pen

Step 1

- Connect the short side of side panel I (1) with standard panel (2) using clamps (8). Secure with bolts (11) and nuts (13).
- **PLEASE NOTE: Arrange panels as shown below.

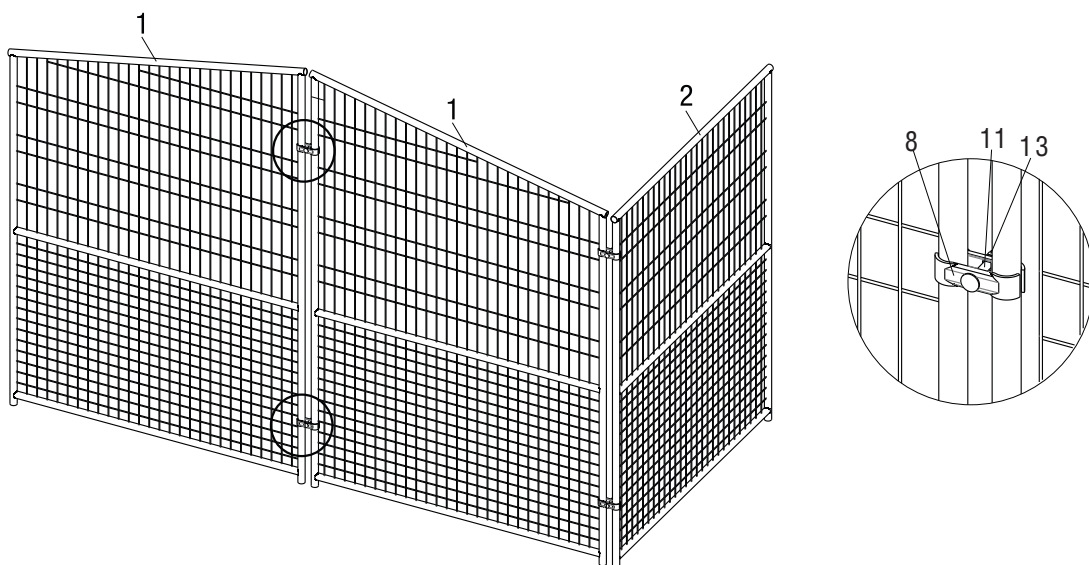
1



Step 2

- Connect the tall sides of panels I (1) using clamps (8). Secure with bolts (11) and nuts (13) as shown below.

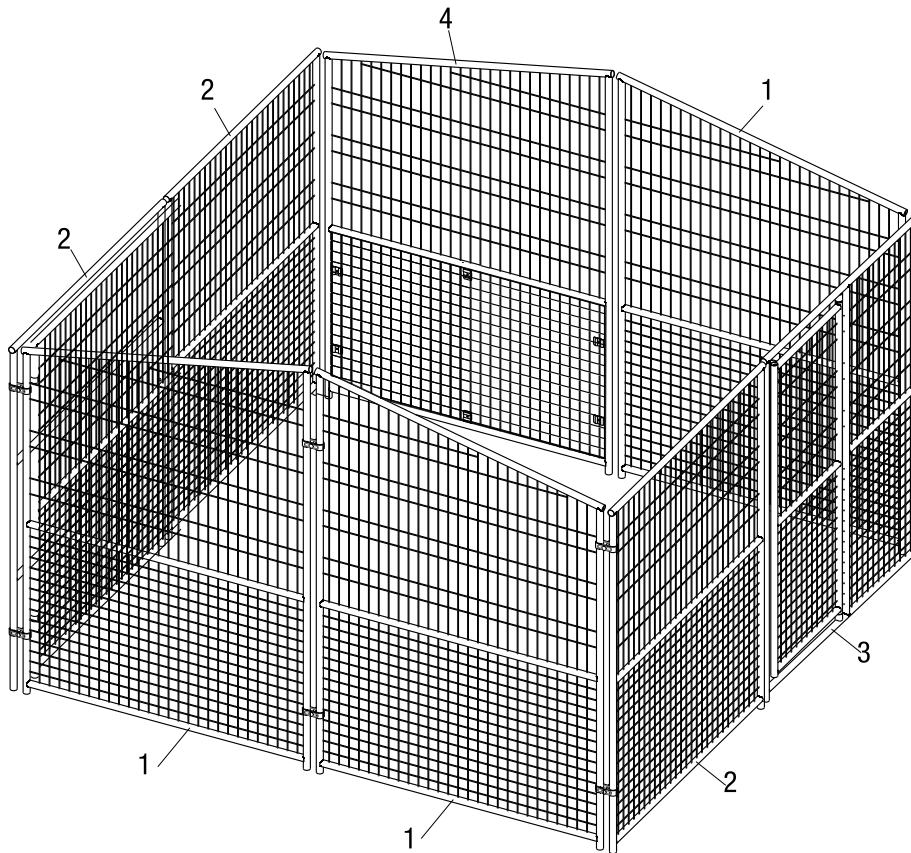
2



Step 3

- Repeat steps 1 and 2 to assemble the remaining panels.
- **PLEASE NOTE: before finishing panel assembly, choose desired position of coop attachment frame (4) & door panel (3).

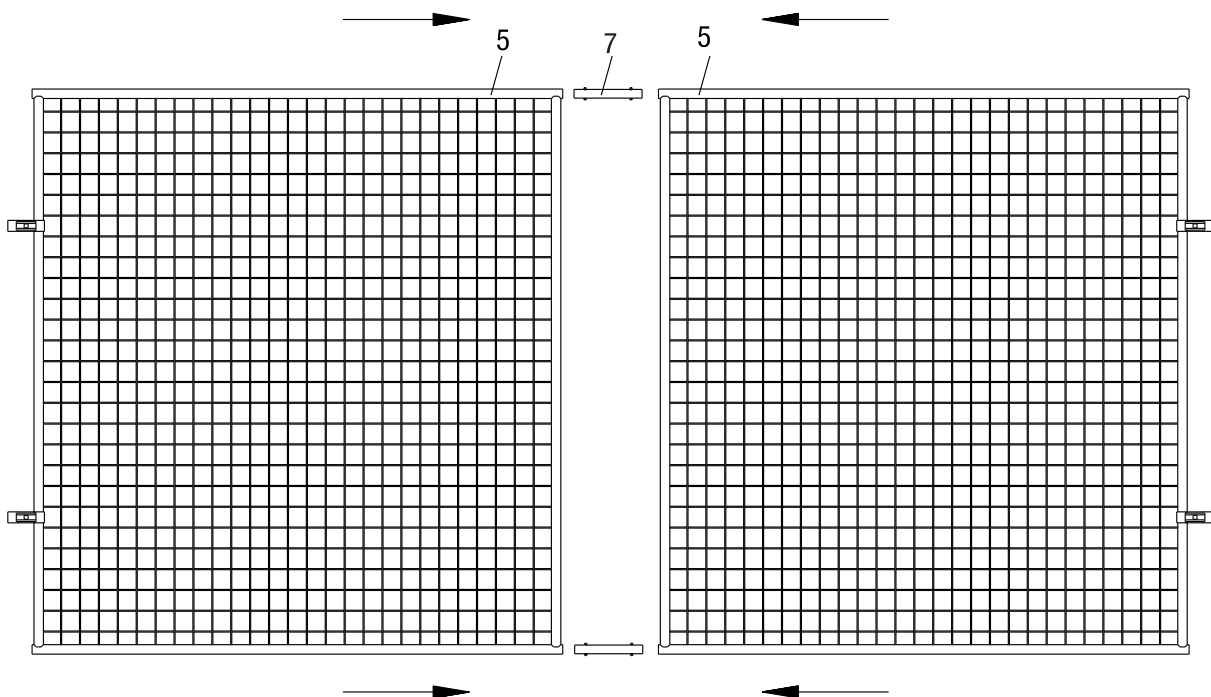
3



Step 4

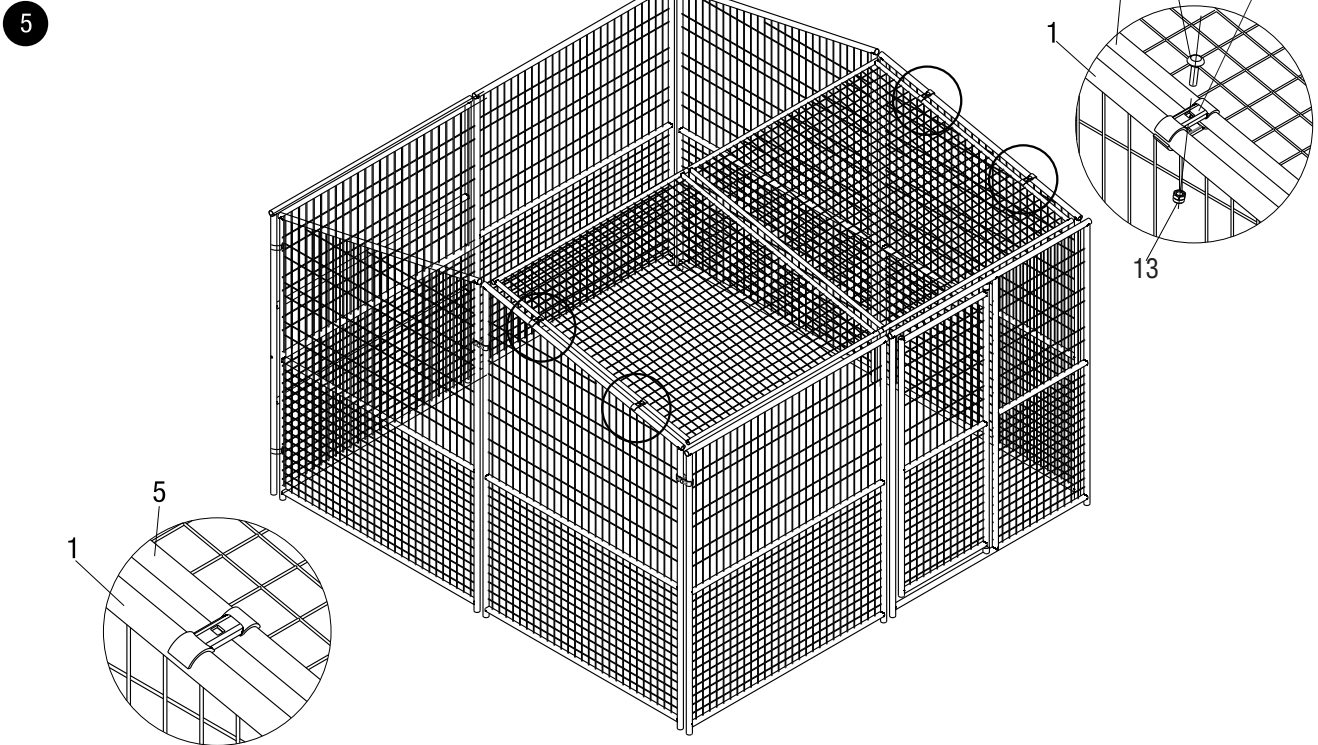
- Connect two roof panels (5) using connectors tubes (7) as shown below. This will be half of the run roof.

4

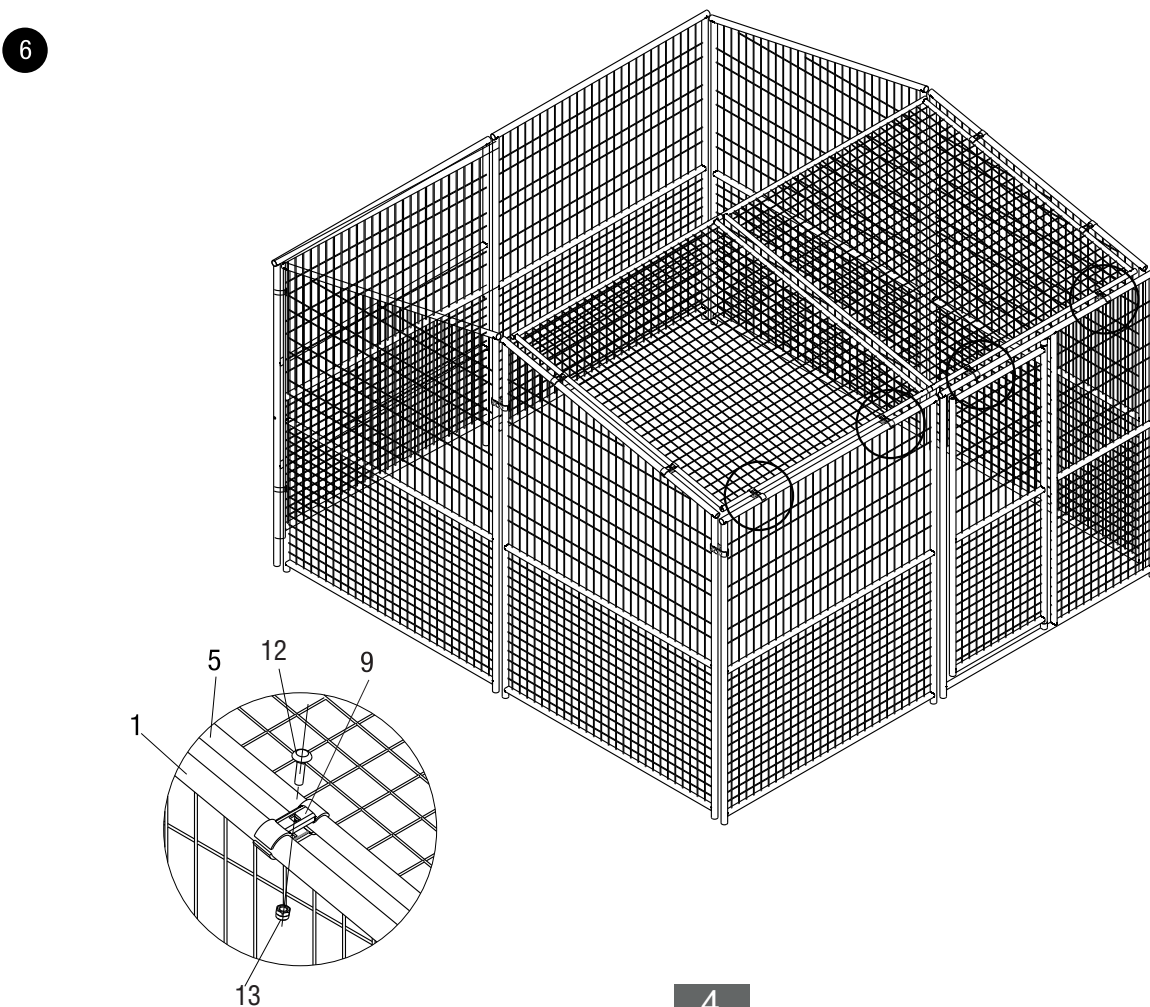


Step 5

- Lift the half roof to the top of side panels as shown below. Allow roof to rest on the four pre-welded clamps, then use clamps (9) to tighten the four pre-welded clamps and secure with bolts (12) and nuts (13).



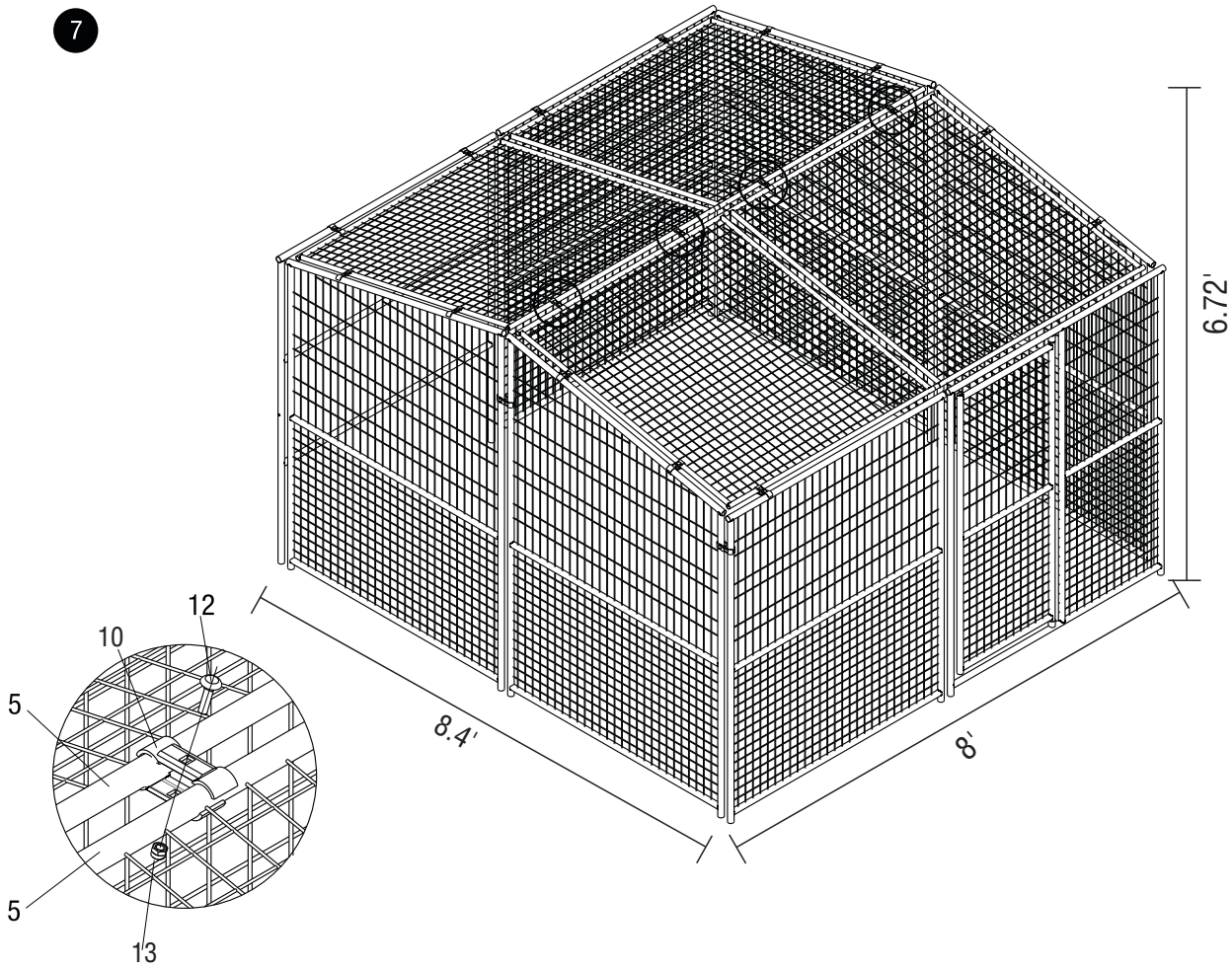
- Repeat the above procedure to finish attaching the half roof.



Step 6

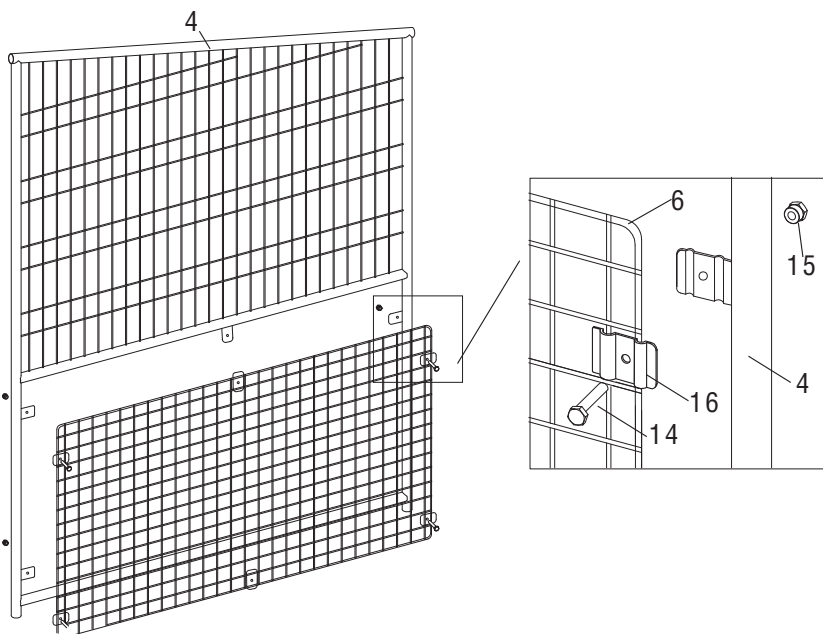
- Repeat Step 5 to finish assembling the other half roof. Connect the two half roofs with clamps (10) and secure with bolts (12) and nuts (13).

7



- The pen is now ready for use.

ADDITIONAL NOTES



- The Moveable Mesh (6) is pre-assembled with Side Panel II (4). It can be taken-off if customer needs an extra opening.