

WORKHORSE

S P R A Y E R S

by PSE®, a Division of Green Leaf, Inc®

Assembly / Operation Instructions / Parts

BK007HM & BK005HM

5 or 7 Nozzle Hitch Mount Boom



**Patent
Pending**



MODEL# BK005HM or BK007HM

DELUXE HITCH MOUNT BOOM

- 5 or 7 Nozzle Boom Assembly
- Exclusive Hitch Mount System
- 100 inch or 140 inch coverage with Check Valve and Filter

*** This boom kit is designed to be used with any sprayer with a pump capable of 2.0 gpm flow or more, that has a garden hose accessory port. Boom attaches to a standard 2" receiver hitch.**

— GENERAL INFORMATION

The purpose of this manual is to assist you in assembling, operating and maintaining your Hitch Mount Boom Kit. Please read it carefully as it furnishes information which will help you achieve years of dependable trouble-free operation.

— WARRANTY / PARTS / SERVICE

Workhorse products are warranted for one year from the date of purchase against manufacture or workmanship defects for personal or homeowner usage with proof of purchase. Workhorse products are warranted for 90 days for commercial users. Any unauthorized modification of a Workhorse brand sprayer will void warranty.

Your authorized dealer is the best source of replacement parts and service. To obtain prompt, efficient service, always remember to give the following information: 1) Correct part description and part number. 2) Model number and serial number of your sprayer.

Part description and part numbers can be obtained from the illustrated parts list section of this manual.

Whenever you need parts or repair service, contact your distributor / dealer first. For warranty work always take your original sales slip, or other evidence of purchase date, to your distributor / dealer.

— ASSEMBLY INSTRUCTIONS

Tools required:

- 1 - Phillips Screwdriver
- 2 - 1/2" End Wrenches
- 2 - 9/16" End Wrenches

— OPERATION

(Recommended to be used with a LG25DSS or similar 2.0 GPM or greater spot sprayer.)

Refer to your original spot sprayer operating instructions.

Pressure may be regulated by opening or closing the valve located on the top of your tank. Refer to your original instructions, or see some common "Valve Operations" illustrated in this manual.

Regularly inspect the suction supply screen on the inside of the tank. Flush with water to clear any accumulated debris.

— CALIBRATION

Chemical product labels may show application rates in gallons per acre, gallons per 1000 square feet, or gallons per 100 square feet. The tip chart for your sprayer shows all three rates for your convenience.

After determining how much mixed solution you are going to spray for your job, select the spraying pressure (PSI) and spraying speed (MPH) needed.

Current weather and terrain conditions must be considered when setting up the sprayer. Do not spray on windy days (over 11 MPH), and protective clothing must be worn with some products.

Be sure to read the chemical label carefully.

To determine the ground speed of your sprayer, measure and mark driving distances of 100, 200, or 300 feet. Our speed chart indicates the number of seconds needed to travel these distances. Set your throttle, and with a rolling start, drive the measured distance of your choice. Adjust your throttle until you can match the number of driving seconds needed. Mark the throttle setting and note the gear range so you can use them while spraying.

Add water and chemicals in the proper amounts in the spray tank and drive to your starting point. When you are ready to spray, turn your boom control valve to the "ON" position. Once the pump is turned on, the unit will begin spraying. The system pressure will decrease slightly when you see solution flowing from the spray nozzles. This is normal, the pressure will return as before when you turn the control valve to the "OFF" position.

You will find optimal spraying in the 20 to 30 PSI range.

— AFTER SPRAYING

After use, fill the sprayer part way with water. Start the sprayer and allow clear water to be pumped through the plumbing system and out through the spray nozzles.

Refill the tank about half full with plain water and use a chemical neutralizer such as Nutra-Sol® or equivalent and repeat cleaning instructions. Flush the entire sprayer with the neutralizing agent. Follow the chemical manufacturer's disposal instructions of all wash or rinsing water.

Remove tips and screens from the boom. Wash tips thoroughly with water or cleaning solution (appropriate for chemical used). Blow out orifice, clean and dry. If orifice remains clogged clean it with a fine bristle (not wire) brush, or with a toothpick. Do not damage the orifice. Water rinse and dry tips before storing.

— WINTER STORAGE

Drain all water and chemical out of sprayer, paying special attention to pump and valves. These items are especially prone to damage from chemicals and freezing weather.

The sprayer should be winterized before storage by pumping a solution of RV antifreeze through the entire plumbing. Proper care and maintenance will prolong the life of the sprayer.

RATE CHART FOR 80/110-02 SPRAY TIP

Pressure (PSI)	Capacity (GPM)	GALLONS PER ACRE BASED ON WATER - 20" SPACING							
		1 MPH 88 FPM	2 MPH 176 FPM	3 MPH 264 FPM	4 MPH 352 FPM	5 MPH 440 FPM	7.5 MPH 660 FPM	10 MPH 880 FPM	
20.0	0.14	41.8	20.9	14.0	10.5	8.4	5.6	4.2	
30.0	0.17	51.2	25.6	17.2	12.9	10.3	6.9	5.1	
40.0	0.20	59.2	29.6	19.8	14.9	11.9	7.9	5.9	
50.0	0.23	66.4	33.2	22.2	16.6	13.3	8.8	6.6	
Pressure (PSI)	Capacity (GPM)	GALLONS PER 1000 SQ. FT. BASED ON WATER - 20" SPACING							
20.0	0.14	.96	.48	.32	.24	.19	.13	.10	
30.0	0.17	1.18	.59	.39	.30	.24	.16	.12	
40.0	0.20	1.36	.68	.45	.34	.27	.18	.14	
50.0	0.23	1.52	.76	.51	.38	.31	.20	.15	
Pressure (PSI)	Capacity (GPM)	GALLONS PER 100 SQ. FT. BASED ON WATER - 20" SPACING							
20.0	0.14	.096	.048	.032	.024	.019	.012	.009	
30.0	0.17	.117	.059	.039	.029	.024	.015	.011	
40.0	0.20	.135	.066	.045	.034	.027	.018	.013	
50.0	0.23	.152	.076	.050	.038	.030	.020	.015	

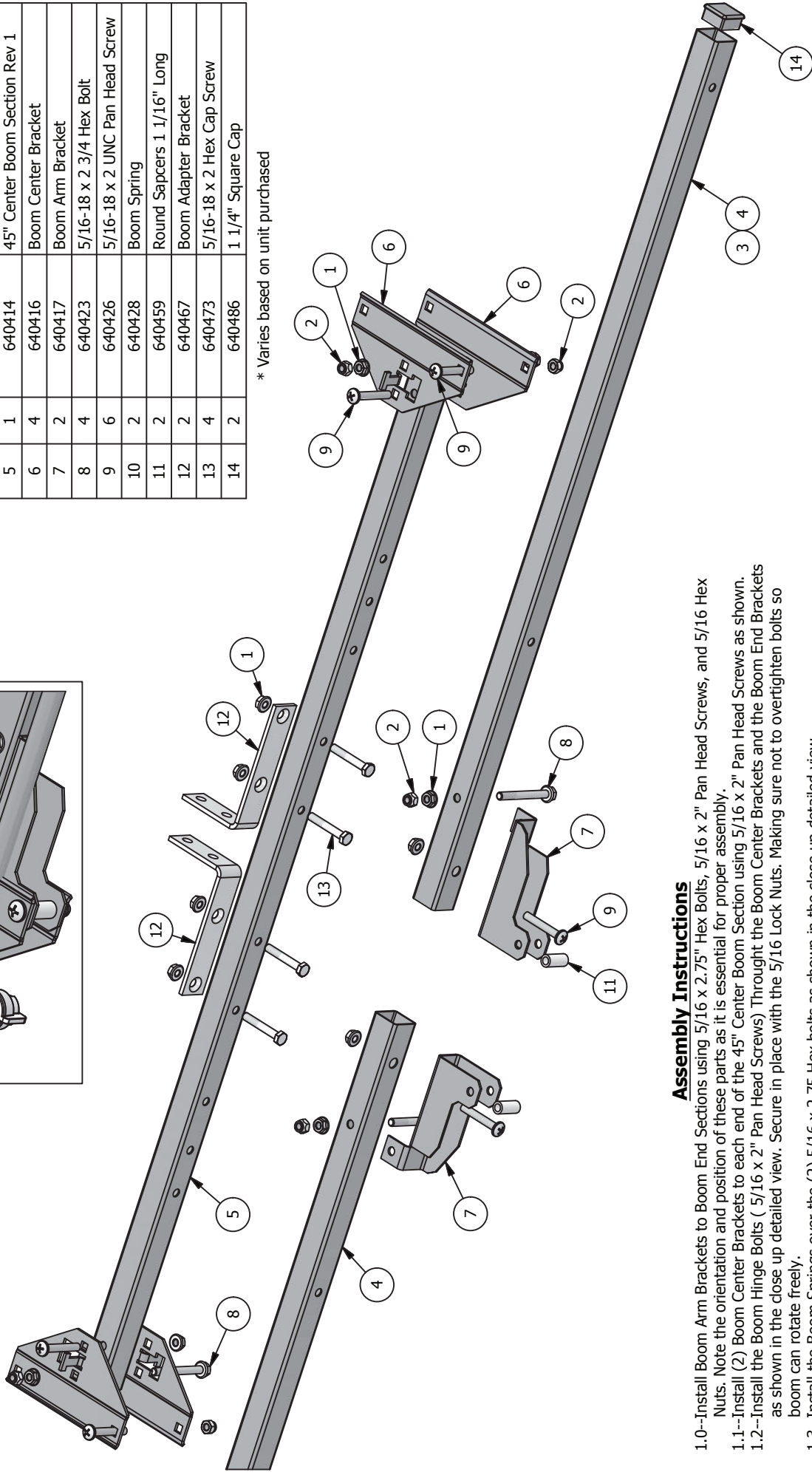
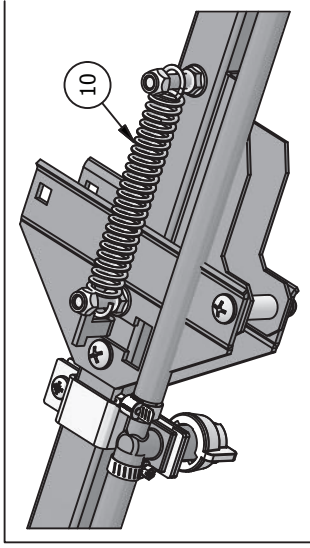
MPH- Miles Per Hour • FPM- Feet Per Minute • PSI- Pounds Per Square Inch • GPM- Gallons Per Minute

WARNING:

This product can expose you to chemicals including DEHP, known to the State of California to cause birth defects or other reproductive harm.

PARTS LIST			
ITEM	QTY	PART NUMBER	DESCRIPTION
1	12	600172	5/16-18 Hex Flange Nut
2	6	620106	5/16-18 UNC Lock Nut
3	2	640412*	5 Nozzle End Section (23")
4	2	640413*	7 Nozzle End Section (38")
5	1	640414	45" Center Boom Section Rev 1
6	4	640416	Boom Center Bracket
7	2	640417	Boom Arm Bracket
8	4	640423	5/16-18 x 2 3/4 Hex Bolt
9	6	640426	5/16-18 x 2 UNC Pan Head Screw
10	2	640428	Boom Spring
11	2	640459	Round Sappcers 1 1/16" Long
12	2	640467	Boom Adapter Bracket
13	4	640473	5/16-18 x 2 Hex Cap Screw
14	2	640486	1 1/4" Square Cap

* Varies based on unit purchased



Assembly Instructions

- 1.0--Install Boom Arm Brackets to Boom End Sections using 5/16 x 2.75" Hex Bolts, 5/16 x 2" Pan Head Screws, and 5/16 Hex Nuts. Note the orientation and position of these parts as it is essential for proper assembly.
- 1.1--Install (2) Boom Center Brackets to each end of the 45" Center Boom Section using 5/16 x 2" Pan Head Screws as shown.
- 1.2--Install the Boom Hinge Bolts (5/16 x 2" Pan Head Screws) Through the Boom Center Brackets and the Boom End Brackets as shown in the close up detailed view. Secure in place with the 5/16 Lock Nuts. Making sure not to overtighten bolts so boom can rotate freely.
- 1.3--Install the Boom Springs over the (2) 5/16 x 2.75 Hex bolts as shown in the close up detailed view.
- 1.4--Install the 5/16 Lock Nuts onto 2.75" Hex Bolts to secure the Boom Springs in place. As shown in close up detailed view.
- 1.5--Install (2) Boom Adapter Brackets to 45" Center Boom Section as illustrated with 5/16 x 2" hex bolts and nuts.
- 1.6--Install now completed boom assembly to Hitch Mount brackets in desired location.

Assembly Instructions

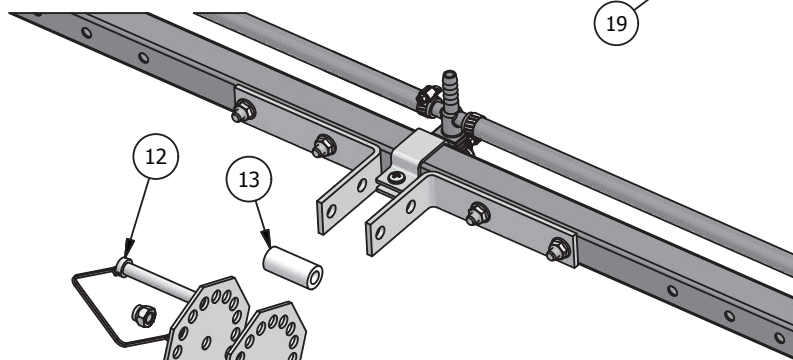
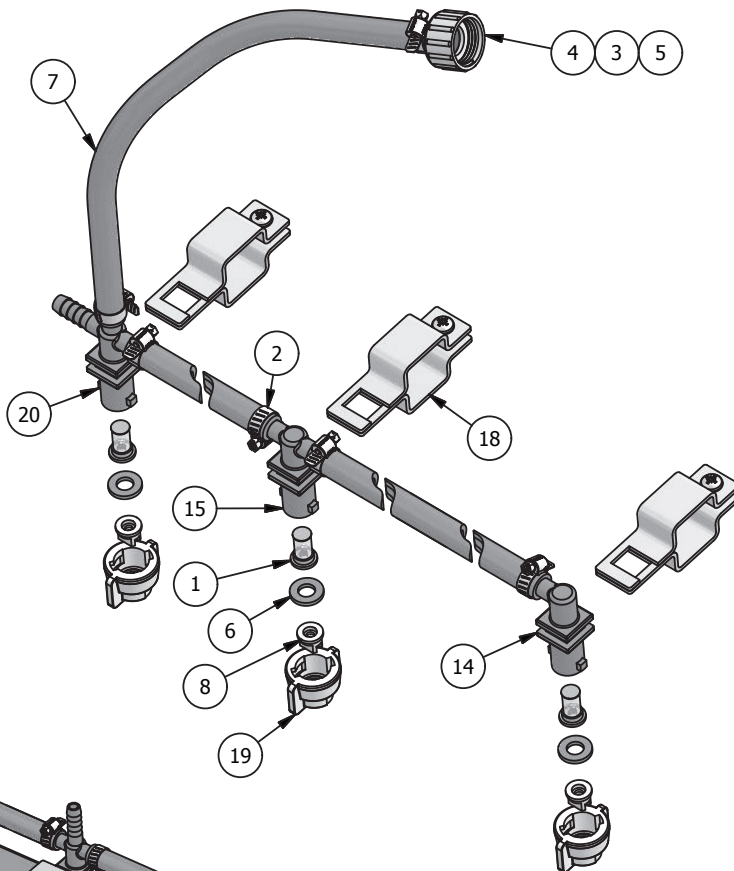
2.0--Install Boom Clamps onto the Spray Boom Assembly. Note: Boom Clamps should be space ~20" apart.

2.1-- Install Nozzle Body Fittings in Boom Clamps.

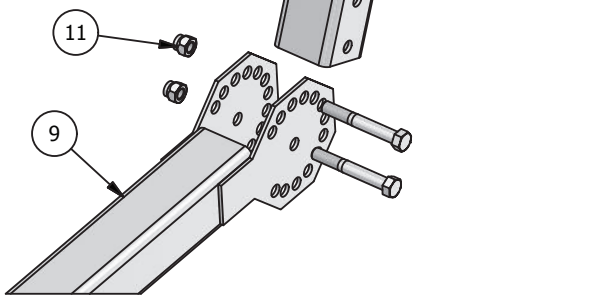
2.2--Insert Check Valves into Nozzle Body Fittings.

2.3--Insert Spray Tip into Bonnet Caps then install rubber washer and install onto Nozzle Body fittings.

2.4--Install Hose Assembly onto valve on the Pump Manifold.



Assemble Hitch Mount Members to boom as illustrated. The Hitch Mounts can be assembled in any orientation to all various boom heights and angles. The hitch mount will fit in any standard 2" vehicle hitch and is retained with a standard 5/8" hitch pin (not included)



Not Shown
Not Shown

ITEM	QTY	PART #	DESCRIPTION
1	5-7*	600117	Check Valve / Strainer
2	10-14*	600120	5/8" Hose Clamp
3	1	600124	W 406
4	1	600139	B 3400 P
5	1	600140	C3800 P Fitting
6	7	600276	Rubber Washer
7	1	600302	3/8" x 60" Hose
8	5-7*	640432	Spray Tip
9	2	640466	Hitch Mount
10	3	640468	3/8-16 x 2 3/4" UNC Hex Bolt
11	3	640469	3/8-16 UNC Lock Nut
12	1	640470	3/8" Retainer Pin w/ Bail
13	1	640471	Round Spacer 1 5/8" Long
14	2	640491	Nozzle Body Elbow Quick Outlet
15	2-4*	640492	Nozzle Body TEE Quick Outlet
16	1	640494*	Hose Assy. 7 Nozzle
17	1	640495*	Hose Assy. 5 Nozzle
18	5-7*	640496	Quick Clamp 1 1/4" Square
19	5-7*	640497	Bonnet Cap 10mm Across Flats
20	1	640498	Nozzle Body Cross 3/8 w/ Quick Outlet

* Varies based on unit purchased