

DU-HA® SQUAD BOX

DIVIDER – 70600

Installation Instructions

DU-HA Squad Box – Portable Storage

Fits DU-HA Part Numbers

70600 & 70670 - Standard Latch

70601 & 70671 - Internal Latch

Installation Instructions:

1 Extendable Handle

The extendable handle (J) on the end of the Squad Box extends out for easier transporting. Just grab the handle next to the foam grip and pull out until it stops. Slide back in when not in use.

2 Pull Strap

If desired, attach the Pull Strap (B) to the extendable handle (J) on the end of the DU-HA Squad Box (A) by wrapping the Pull Strap around the handle and pulling the Pull Strap through its loop on one end. This makes it easier to pull out the extendable handle by just pulling on the pull strap. The strap can also be attached to the other small handles.

3 Foam Organizer / Gun Rack / Stiffeners

(1) Sandwich each Foam Organizer / Gun Rack (C) in between two Plastic Stiffeners (D).

(2) Place each Foam Organizer / Gun Rack / Stiffener assembly into the channel slots in the side walls of the Squad Box (A), facing opposing directions. There are 3 positions on each end.

Note: You may have to bend the assembly to get it into place or put each piece in separately.

(Hint – The stock of a gun should rest in a large groove and the barrel rests in a small groove.)

4 Dividers

Slide one Divider (E) over each Foam Organizer / Gun Rack / Stiffener assembly, with the square corners to the middle, interlocking the center grooves. Dividers should rest on the Squad Box bottom.

5 Velcro Straps

To secure guns in the Squad Box, loop each Velcro Strap (F) through the holes in the top of the Foam Organizer / Gun Rack / Stiffener assembly. Wrap the Velcro Strap around the gun, then attach the Velcro Strap to itself and make sure it is securely fastened.

(Note: Proper use of the Velcro Straps helps prevent guns from bouncing around on rough terrain.)

6 Trays

Two Trays (G) can fit in the Squad Box at one time. Insert Tray Dividers (H) in desired slots of the Trays to organize cargo.

7 Wheel Brake

There is one wheel brake (I) on the Squad Box on the opposite end of the slide out handle, activate the brake by pressing down on the lever and lift up to release. It can be adjusted by loosening the bolts and repositioning the brake and re-tightening the bolts, you will need to remove the wheel assembly.

8 Center Brace

The Center Brace (K) must be in position at all times, unless you are loading or unloading items in the Squad Box. The Brace can be removed from both inserts, as shown in 8a or it can be removed from one end and rotated 90° as shown in 8b.

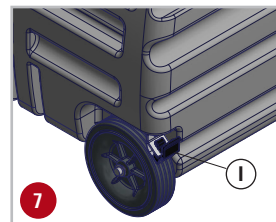
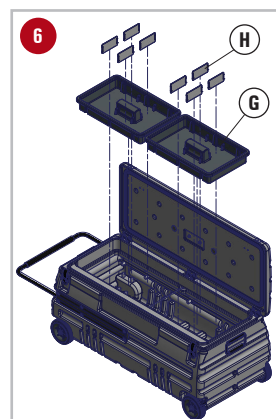
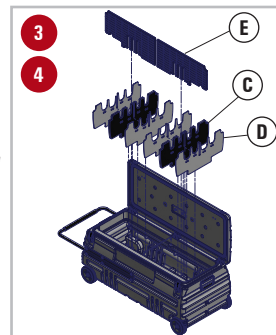
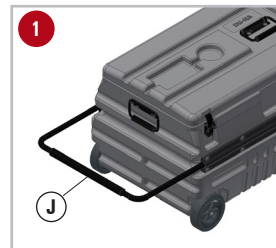
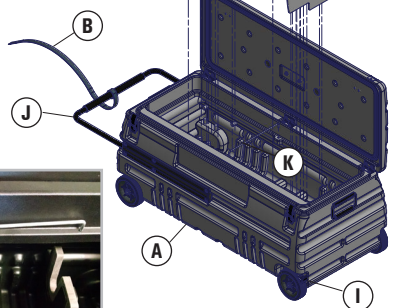
Optional Squad Box Slide Bracket

The Squad Box Slide Bracket is available as an option to ease access to cargo and secure the Squad Box for transportation in a vehicle. (Part # 70700.)

Safety Instructions:

Warning: 75 LBS CAPACITY – DO NOT EXCEED 75 POUNDS OF CARGO IN THE SQUAD BOX. CAUTION – Squad Box must be secured in vehicle at all times with the lid latched while transporting. Do not store explosives or hazardous materials in the Squad Box. Do not place loaded guns in the Squad Box. For further instructions refer to the vehicle owner's manual or contact DU-HA, Inc.

Part Description	Qty
A DU-HA Squad Box	1
B Pull Strap	1
C Foam Organizer / Gun Rack	2
D Plastic Stiffener	4
E Divider	2
F Velcro Strap	8
G Tray	2
H Tray Divider	8
I Wheel Brake	1
J Extendable Handle	1
K Center Brace	1



DU-HA[®] SQUAD BOX

DIVIDER - 70600

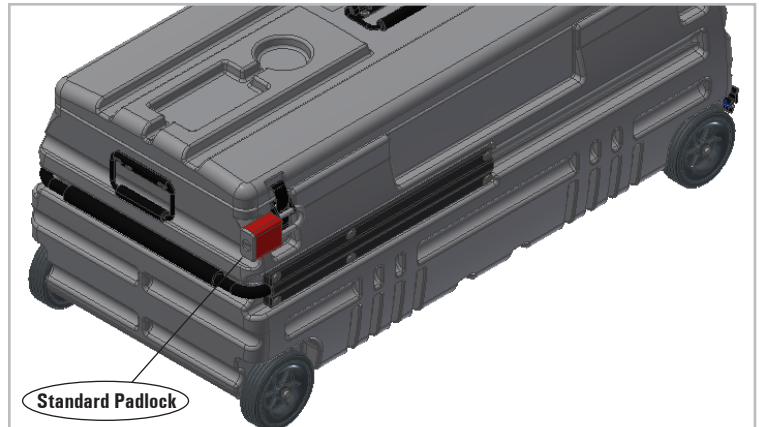
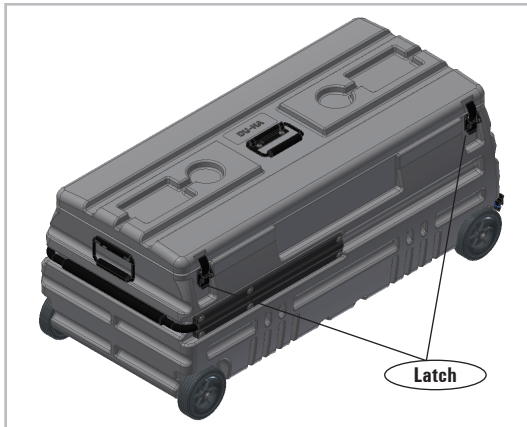
Installation Instructions

DU-HA Squad Box – Portable Storage

70600 & 70670 - Squad Box with Standard Latch System

The 70600 & 70670 - Squad boxes with standard latch system comes with 2 external latches (one on each end) which can be locked using a standard padlock. Insert padlock through the hole in the latch. Note: Lock only needs to go through one hole in the latch.

Note: Lid may need to be pressed down in order to close the latches.



70601 & 70671 - Squad Box with Internal Latch System

The 70601 & 70671 - Squad boxes with internal latch system uses 2 slam latches that are mounted inside the Squad Box to a steel plate and use a single spring loaded 1/4 turn actuator. 1 The system can be locked using the provided key to lock the 1/4 turn actuator. To open the lid turn the 1/4 turn actuator a quarter turn counter clockwise and pull up on the lid. To close the lid you will need to press down on the lid to compress the gasket that is on the inside of the lid. If you have issues getting the lid to latch shut, make sure the 1/4 turn actuator is rotated to its vertical position and press down with both hands on top of the lid directly above the striker bolts. If you are still having issues the slam latches and the striker bolts can be adjusted for proper alignment. The striker bolts 2 can be adjusted up and down by loosening them using 13 mm wrenches and slid up or down and re-tightened. The striker bolt brackets 3 can be adjusted in and out by loosening the 1/4" bolts using 7/16" wrenches repositioned and tightened again. The slam latches 4 can be adjusted left and right by loosening the 1/4" bolts using a 7/16" wrench by sliding the wrench up behind the latch from inside the Squad Box, once the latches have been repositioned tight the bolts, DO NOT overtighten the bolts because you could crush the latch. The internal latch system comes with gas shocks 5 to open and hold the lid open to make it easier to get items in and out.

