

AG Shelter Series - Retail

# Corral Shelter Enclosure Kit

Added coverage for corral panels to shade and protect livestock.



Corral panels and Corral Shelter not included



**Ripstop Tough Fabric** - 7.5 oz. Triple-layer woven polyethylene is heat sealed, not stitched for maximum water resistance. UV treated inside, outside and in between with added fade blockers.



**Universal** - fits all 12 x 5 ft. corral panels.



**Lacing Rope** - for quick and easy installation and removal.

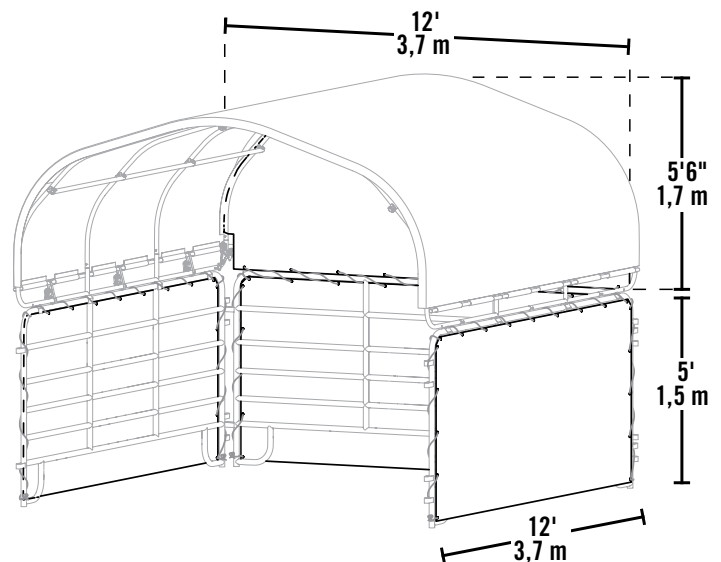


**Ratchet Tite™** tensioning on end panel for a drum-tight cover.



Full-color, high impact retail packaging

**Great For:** Horses, cattle, and most livestock; hay and agricultural storage



**We've Got You Covered.™**  
North America's #1 Shelter Manufacturer.

## Model #51482

### Package Includes:

- (1) End Panel - Green
- (3) Side Panels - Green
- Lacing Rope
- Complete Hardware Kit
- Easy step-by-step instructions

### Packaging Specifications:

- 1 box
- Total weight: 19 lbs. / 8,6 kg
- Box Dimensions: 42.5 x 17.3 x 3.9 in. 108 x 44 x 10 cm
- Container Qty.: 1265 (40')

