

EZEE SHED® FLOOR FRAME KIT



Model :

FKEZEE

EZEE Shed® Floor Frame Kit

Packaging Specs:

Carton Dimensions (L x W x D):

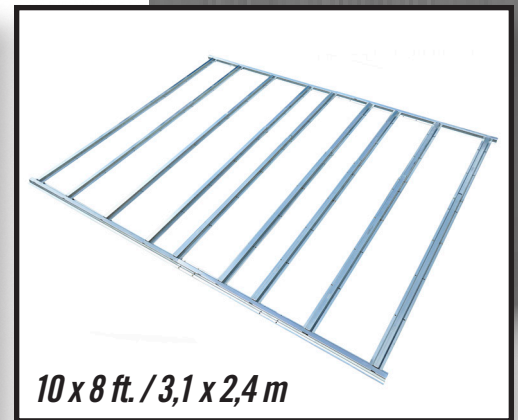
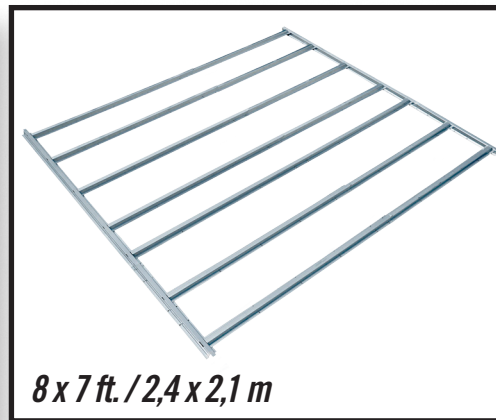
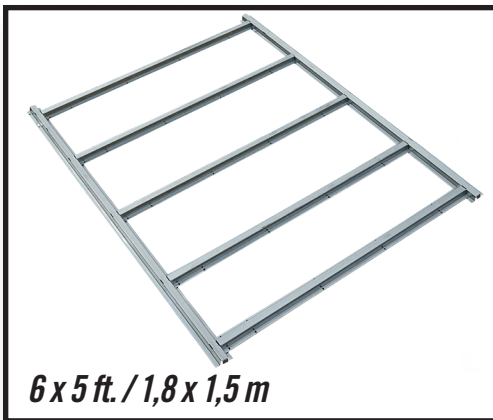
71.25 x 6.25 x 3.38 in.

181 x 16 x 9 cm

Carton Wt: 32 lb. / 15 kg.

Pallet Quantity: 20 (horizontal)

Compatible with all EZEE® Shed sizes



The EZEE Shed® Floor Framing Kit creates a barrier between the ground and your shed floor

Made from strong, durable hot dipped galvanized steel

EZEE Shed® Floor Kit frame attaches easily to your EZEE Shed and is easy to assemble

Choose your own flooring material.

