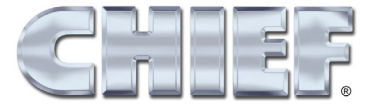


# HYDRAULIC CYLINDERS

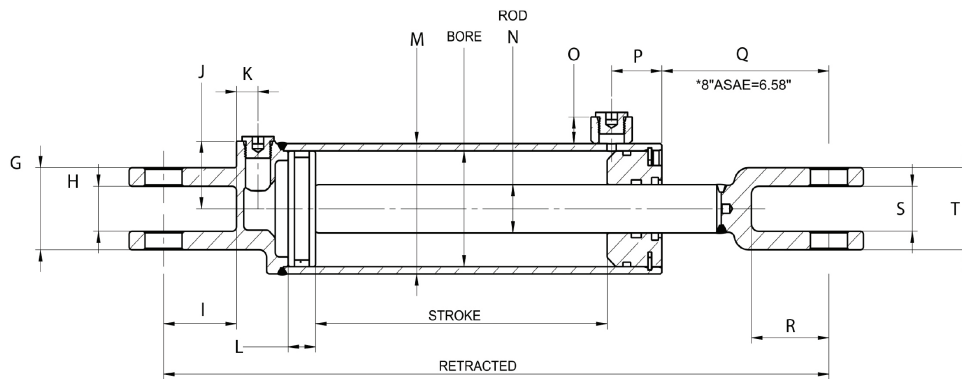
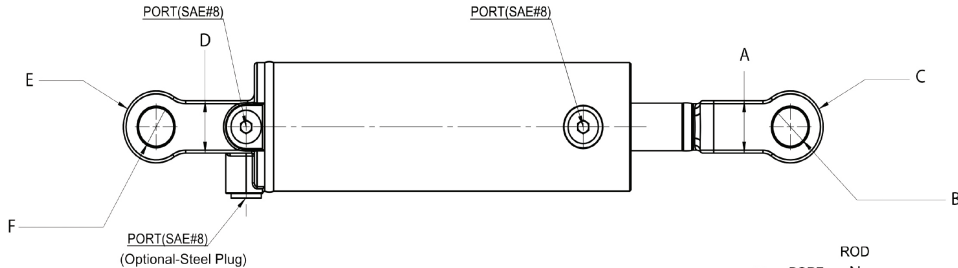
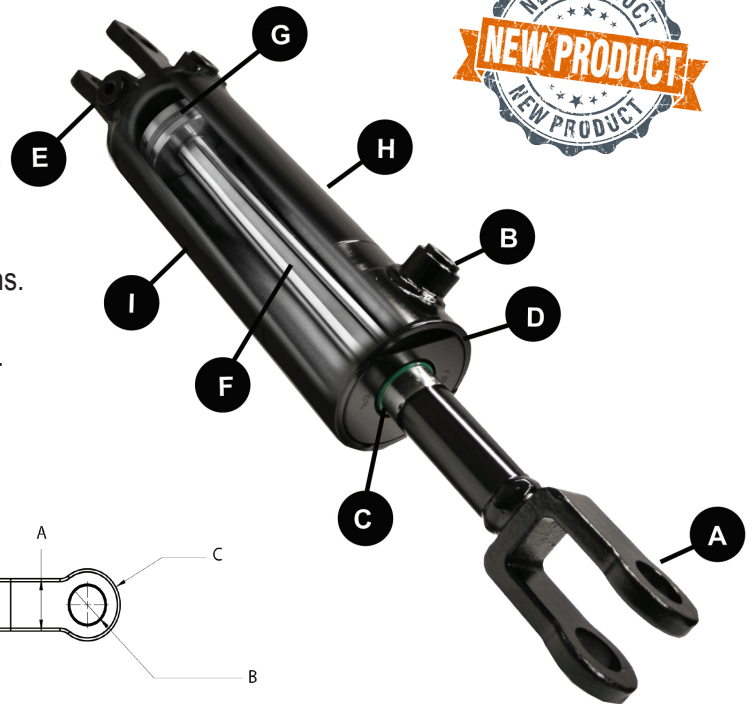


## NEW ALTERNATIVE TO TIE-ROD CYLINDERS

### CHIEF™ AT WELDED CYLINDERS Featuring Snap-ring & Screw In-glands

This welded cylinder features a snap ring on the rod-end gland for easy field repair. Unlike a tie-rod, there are no bolts, simply remove the snap-ring and you're ready to replace the seals. This cylinder line is designed with a 1.5:1 safety factor for construction and agricultural applications. This cylinder provides value pricing without sacrificing quality. Each cylinder undergoes rigorous testing to ensure maximum reliability and performance.

- A. Rugged ductile iron welded clevis design.
- B. Standard SAE #8 3/4-16 ports.
- C. 3000 PSI seal kits for extended life.
- D. Retainer ring (snap ring) head design reduces downtime and allows for quick and easy service.
- E. Optional SAE #8 third port location (for 90-degree use)
- F. Hard chrome-plated rod for the most extreme applications.
- G. Precision welded piston.
- H. 1.5:1 Safety factor with 20,000 cycles endurance testing.
- I. Gloss black paint finish.



DIMENSIONAL DATA IN INCHES ( FOLLOWED BY MM)

BORE	A	B	C	D	E	F	G	H	I	J	K	L	M	N	O	P	Q	R	S	T
[3.00] 76.2	[1.38] 35	[1.016] 25.8	[0.94] R24	[1.38] 35	[0.94] R24	[1.016] 25.8	[2.126] 54	[1.165] 29.6	[2.00] 50.8	[1.75] 44.45	[0.59] 15	[0.75] 19.05	[3.38] 85.8	[1.25] 31.75	[0.69] 17.53	[1.38] 35	[4.58] 116.4	[2.13] 54	[1.165] 29.6	[2.126] 54

### CHIEF™ AT WELDED CYLINDERS

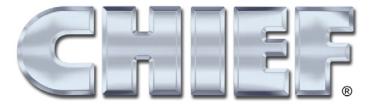
2" to 3" bore sizes have a welded clevis and screw in gland.  
 3.5" to 4" bore sizes have a threaded clevis and retaining ring gland (similar to Chief WX). • 3000 PS • Burst pressure tested to 6,000 PSI • 20,000 cycle endurance test • Hallite seals on the rod and wiper • O-ring boss ports (SAE ports with UNF threads).



Part No.	Bore	Stroke	Rod Dia.	Retracted	Extended	Column Load (lbs.)	Port Size	Pin Size	Weight
297068	2.0	4.0	1.125	14.25	18.25	9420	SAE 8	1.00	10.8
297069	2.0	6.0	1.125	16.25	22.25	9420	SAE 8	1.00	12.1
297070	2.0	8.0	1.125	18.25	26.25	9420	SAE 8	1.00	13.4
297071	2.0	8.0 ASAE	1.125	20.25	28.25	9420	SAE 8	1.00	14.1
297072	2.0	10.0	1.125	20.25	30.25	9420	SAE 8	1.00	14.8
297073	2.0	12.0	1.125	22.25	34.25	9420	SAE 8	1.00	16.1
297074	2.0	14.0	1.125	24.25	38.25	9420	SAE 8	1.00	17.4
297075	2.0	16.0	1.125	26.25	42.25	9420	SAE 8	1.00	18.7
297076	2.0	18.0	1.125	28.25	46.25	8140	SAE 8	1.00	20.1
297077	2.0	20.0	1.125	30.25	50.25	6910	SAE 8	1.00	21.4
297079	2.0	24.0	1.125	34.25	58.25	5160	SAE 8	1.00	24
297082	2.0	30.0	1.125	40.25	70.25	3560	SAE 8	1.00	28
297085	2.0	36.0	1.125	46.25	82.25	2610	SAE 8	1.00	32
297091	2.0	48.0	1.125	58.25	106.25	1570	SAE 8	1.00	39.9
297092	2.5	4.0	1.125	14.25	18.25	14720	SAE 8	1.00	11.9
297093	2.5	6.0	1.125	16.25	22.25	14720	SAE 8	1.00	13.7
297094	2.5	8.0	1.125	18.25	26.25	14720	SAE 8	1.00	15.4
297095	2.5	8.0 ASAE	1.125	20.25	28.25	14720	SAE 8	1.00	16.1
297096	2.5	10.0	1.125	20.25	30.25	14720	SAE 8	1.00	17.2
297097	2.5	12.0	1.125	22.25	34.25	14720	SAE 8	1.00	19
297098	2.5	14.0	1.125	24.25	38.25	12070	SAE 8	1.00	20.7
297099	2.5	16.0	1.125	26.25	42.25	9930	SAE 8	1.00	22.5
297100	2.5	18.0	1.125	28.25	46.25	8310	SAE 8	1.00	24
297101	2.5	20.0	1.125	30.25	50.25	7050	SAE 8	1.00	25.8
297103	2.5	24.0	1.125	34.25	58.25	5270	SAE 8	1.00	29.3
297106	2.5	30.0	1.25	40.25	70.25	5480	SAE 8	1.00	36.6
297109	2.5	36.0	1.25	46.25	82.25	4010	SAE 8	1.00	42.1
297115	2.5	48.0	1.25	58.25	106.25	2410	SAE 8	1.00	53.4
297118	3.0	4.0	1.25	14.25	18.25	21200	SAE 8	1.00	15.2
297119	3.0	6.0	1.25	16.25	22.25	21200	SAE 8	1.00	17.2
297120	3.0	8.0	1.25	18.25	26.25	21200	SAE 8	1.00	19
297121	3.0	8.0 ASAE	1.25	20.25	28.25	21200	SAE 8	1.00	19.8
297122	3.0	10.0	1.25	20.25	30.25	21200	SAE 8	1.00	20.7
297123	3.0	12.0	1.25	22.25	34.25	21200	SAE 8	1.00	22.7
297124	3.0	14.0	1.25	24.25	38.25	18530	SAE 8	1.00	24.5

\*Product attributes are in inches, unless otherwise noted.

# HYDRAULIC CYLINDERS



## NEW ALTERNATIVE TO TIE-ROD CYLINDERS

### CHIEF™ AT WELDED CYLINDERS

2" to 3" bore sizes have a welded clevis and screw in gland.  
 3.5" to 4" bore sizes have a threaded clevis and retaining ring gland (similar to Chief WX). • 3000 PS • Burst pressure tested to 6,000 PSI • 20,000 cycle endurance test • Hallite seals on the rod and wiper • O-ring boss ports (SAE ports with UNF threads).



Part No.	Bore	Stroke	Rod Dia.	Retracted	Extended	Column Load (lbs.)	Port Size	Pin Size	Weight
297125	3.0	16.0	1.25	26.25	42.25	15240	SAE 8	1.00	26.2
297126	3.0	18.0	1.25	28.25	46.25	12750	SAE 8	1.00	28
297127	3.0	20.0	1.25	30.25	50.25	10820	SAE 8	1.00	30
297129	3.0	24.0	1.25	34.25	58.25	8080	SAE 8	1.00	33.5
297130	3.0	30.0	1.5	40.25	70.25	11300	SAE 8	1.00	44.3
297132	3.0	36.0	1.5	46.25	82.25	8270	SAE 8	1.00	50.9
297141	3.0	48.0	1.5	58.25	106.25	4970	SAE 8	1.00	64.2
297144	3.5	4.0	1.375 IHCP	14.25	18.25	28860	SAE 8	1.00	21.8
297145	3.5	6.0	1.375 IHCP	16.25	22.25	28860	SAE 8	1.00	23.8
297146	3.5	8.0	1.375 IHCP	18.25	26.25	28860	SAE 8	1.00	26
297147	3.5	8.0 ASAE	1.375 IHCP	20.25	28.25	28860	SAE 8	1.00	26.5
297148	3.5	10.0	1.375 IHCP	20.25	30.25	28860	SAE 8	1.00	28.2
297149	3.5	12.0	1.375 IHCP	22.25	34.25	28860	SAE 8	1.00	30.2
297150	3.5	14.0	1.375 IHCP	24.25	38.25	27590	SAE 8	1.00	32.4
297151	3.5	16.0	1.375 IHCP	26.25	42.25	22650	SAE 8	1.00	34.6
297153	3.5	18.0	1.375 IHCP	28.25	46.25	18920	SAE 8	1.00	36.6
297154	3.5	20.0	1.375 IHCP	30.25	50.25	16050	SAE 8	1.00	38.8
297156	3.5	24.0	1.375 IHCP	34.25	58.25	11960	SAE 8	1.00	43
297159	3.5	30.0	1.375 IHCP	40.25	70.25	8240	SAE 8	1.00	49.4
297162	3.5	36.0	1.375 IHCP	46.25	82.25	6020	SAE 8	1.00	55.8
297168	3.5	48.0	1.375 IHCP	58.25	106.25	3610	SAE 8	1.00	68.6
297170	4.0	4.0	1.375 IHCP	14.25	18.25	37700	SAE 8	1.00	25.1
297171	4.0	6.0	1.375 IHCP	16.25	22.25	37700	SAE 8	1.00	27.6
297172	4.0	8.0	1.375 IHCP	18.25	26.25	37700	SAE 8	1.00	29.8
297173	4.0	8.0 ASAE	1.375 IHCP	20.25	28.25	37700	SAE 8	1.00	30.9
297174	4.0	10.0	1.375 IHCP	20.25	30.25	37700	SAE 8	1.00	32
297175	4.0	12.0	1.375 IHCP	22.25	34.25	34560	SAE 8	1.00	34.4
297176	4.0	14.0	1.375 IHCP	24.25	38.25	27770	SAE 8	1.00	36.6
297177	4.0	16.0	1.375 IHCP	26.25	42.25	22800	SAE 8	1.00	39
297179	4.0	18.0	1.375 IHCP	28.25	46.25	19050	SAE 8	1.00	41.2
297180	4.0	20.0	1.375 IHCP	30.25	50.25	16160	SAE 8	1.00	43.4
297182	4.0	24.0	1.375 IHCP	34.25	58.25	12040	SAE 8	1.00	48.1
297185	4.0	30.0	1.5 IHCP	40.25	70.25	11680	SAE 8	1.00	57.3
297188	4.0	36.0	1.5 IHCP	46.25	82.25	8530	SAE 8	1.00	64.6
297194	4.0	48.0	1.5 IHCP	58.25	106.25	5120	SAE 8	1.00	79.4

\*Product attributes are in inches, unless otherwise noted.