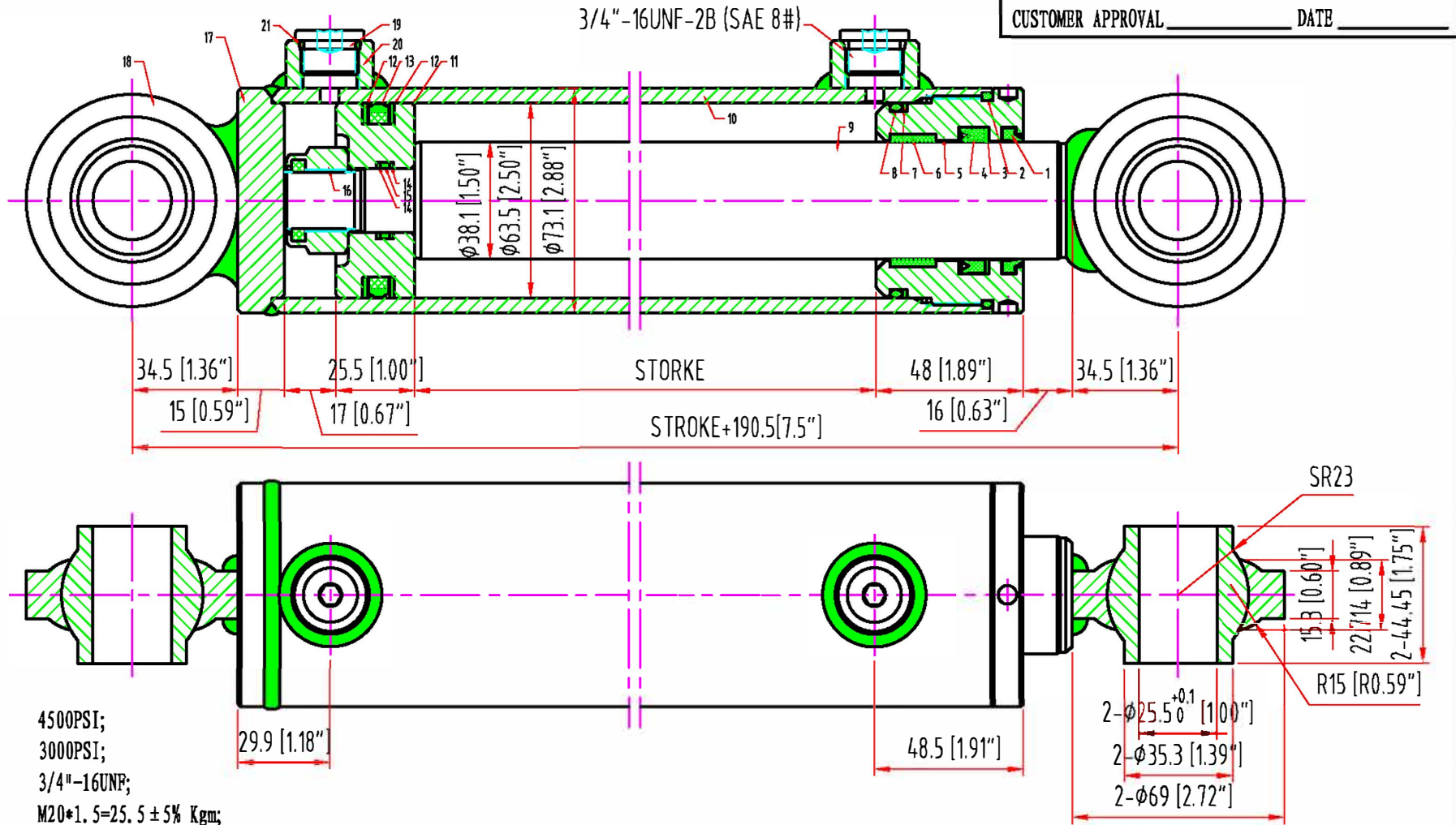


NO.	DESCRIPTION	Q'TY	SPECIFICATION
1	WIPER	1	38.1*47.63* 4.75/7.14
2	O-RING	1	
3	BACK-UP RING	1	
4	D-CUP SEAL	1	38.1*47.63*7.92
5	GLAND	1	
6	WBAR RING	1	
7	BACK-UP RING	1	
8	O-RING	1	3.53*56.74
9	PISTON ROD	1	
10	CYLINDER	1	
11	PISTON	1	
12	BACK-UP RING	2	
13	SEALS	1	3.5*49.83*7.19
14	BACK-UP RING	2	
15	O-RING	1	2.4*20.8
16	NYLOCK NUT	1	M20*1.5
17	END CUP	1	
18	BACK/ROD CLEVIS	2	
19	STBEL PIPE PLUG	2	
20	SOCKETS	2	3/4"-16UNF
21	O-RING	2	



**PRODUCT NOTES:**

- TEST PRESSURE: 4500PSI;
- WORKING PRESSURE: 3000PSI;
- PORT PLUG: 3/4"-16UNF;
- TORQUE ON PISTON: M20\*1.5=25.5 ± 5% Kgm;
- PAINT COLOR: BLACK;

NO.	ITEM	STROKE	R. LGHT	SBPG.	DWG#
1	400-519	6"	13.5"		BA25152G-0000-000000
2	400-520	8"	15.5"		BA25203G-0000-000000
3	400-521	10"	17.5"		BA25254G-0000-000000
4	400-522	12"	19.5"		BA25305G-0000-000000
5	400-523	20"	27.5"		BA25508G-0000-000000
6	400-524	24"	31.5"		BA25610G-0000-000000
7	400-525	30"	37.5"		BA25762G-0000-000000

△ X		BA25000G-0000-000000				CYLINDER			
REV. SYMBOL	REV	DATE	DWG#		ITEM	Q'TY	SPECIFICATION	MATL	
T O L E R A N C E S	DIMENSION OVER-UP TO		CLASS1	CLASS2	CLASS3	CLASS4			
	6 BELOW		0.05	0.1	0.2	0.5			
	6-30		0.10	0.2	0.5	1			
	30-100		0.15	0.3	0.8	15			
	100-300		0.20	0.5	12	2			
300-1000		0.30	0.8	2	3				
					DRAWER	DESIGNER	QA	APPD	DATE
							SCALE		
							MFG. SYMBOL		
							REF. DWG#		