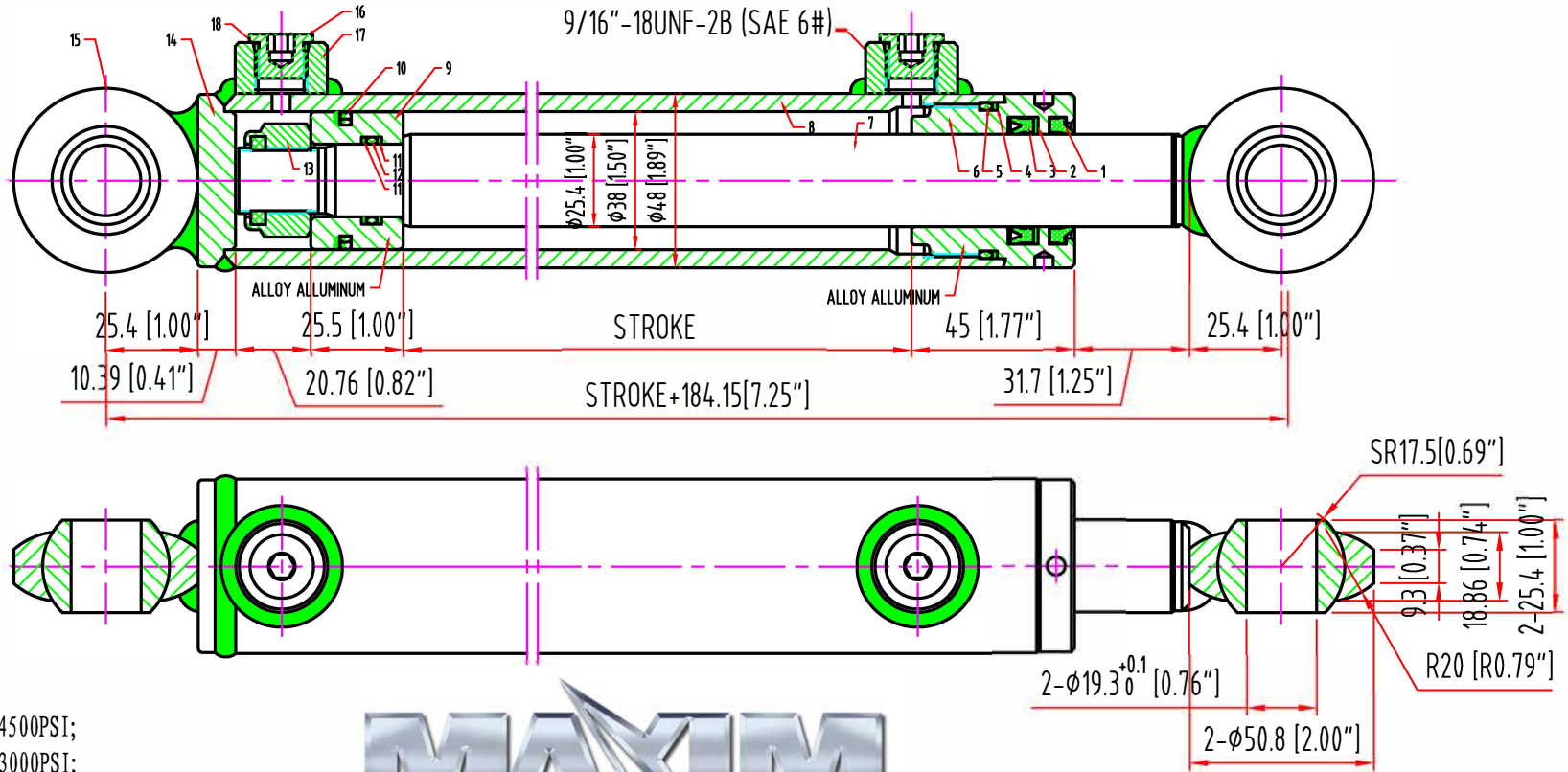


NO.	DESCRIPTION	Q'TY	SPECIFICATION
1	WIPER	1	25.4*34.93* 4.75/7.14
2	BACK-UP RING	1	
3	U-CUP SEAL	1	25.4*34.93*6.35
4	BACK-UP RING	1	
5	O-RING	1	2.62*37.77
6	GLAND	1	
7	PISTON ROD	1	
8	CYLINDER	1	
9	PISTON	1	
10	SEALS	2	Ø8*30.5*3.2 KPT
11	BACK-UP RING	2	
12	O-RING	1	2.4*19.8
13	NYLOCK NUT	1	M18*1.5
14	END CUP	1	
15	BACK/ROD CLEVIS	2	
16	STEEL PIPE PLUG	4	
17	SOCKES	4	9/16"-18UNF
18	O-RING	4	



**PRODUCT NOTES:**

- TEST PRESSURE: 4500PSI;
- WORKING PRESSURE: 3000PSI;
- PORQUE ON PORT PLUG: 9/16"-18UNF=0.7-1.4Kg<sub>m</sub>;
- TORQUE ON PISTON: M18\*1.5=18 ± 5% Kg<sub>m</sub>;
- PAINT COLOR: BLACK;



NO.	ITEM	STROKE	R. LGHT	SHPG.	
1	400-505	4"	11.25"		BA15102G-0000-000000
2	400-506	6"	13.25"		BA15152G-0000-000000
3	400-507	8"	15.25"		BA15203G-0000-000000
4	400-508	10"	17.25"		BA15254G-0000-000000
5	400-509	12"	19.25"		BA15305G-0000-000000
6	400-510	14"	21.25"		BA15356G-0000-000000

REV. SYMBOL	REV	DATE	DWG#	ITEM	Q'TY	SPECIFICATION	MATL				
				CYLINDER							
TOLERANCE			DRAWER				DESIGNER		QA	APPD	DATE
DIMENSION OVER-UP TO			CLASS1	CLASS2	CLASS3	CLASS4					
6 BELOW			0.05	0.1	0.2	0.5					
6 - 30			0.10	0.2	0.5	1					
30 - 100			0.15	0.3	0.8	15					
100 - 300			0.20	0.5	12	2					
300 - 1000			0.30	0.8	2	3					
						SCALE					
						MFG. SYMBOL					