

General Description

Series DS12 and DS75 accessory valves are two-position, double selector valves. They are designed for directing flow from one single hydraulic circuit to two separate hydraulic lines. This permits operation of two, double-acting cylinders with:

- one four-way control valve, or
- four single-acting cylinders with two three-way control valves.

The valve should be operated (shifted) prior to applying pressure to it. When the spool begins to move, all ports are momentarily connected.

Operation

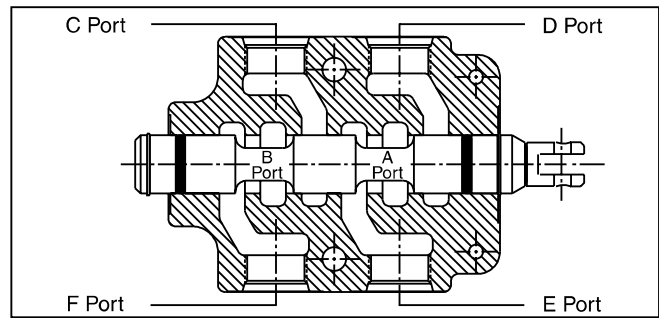
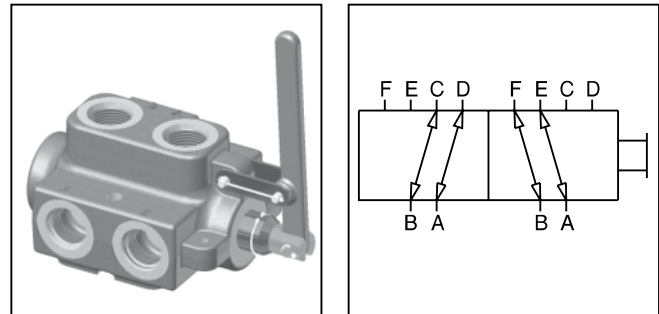
In the normal mode, pump flow can enter the valve through either A or B port. The other port then becomes the return port. Port A is connected to Port D; Port B is connected to Port C. When the lever is pushed in, Port A is connected to Port E; Port B is connected to Port F.

Features

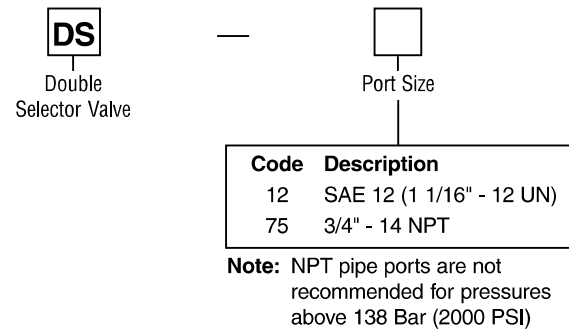
- Chrome plated spool
- High-tensile cast iron body

Specifications

Input Flow	93.75 LPM (25 GPM)
Operating Pressure SAE Ports NPTF Ports	207 Bar (3000 PSI) 138 Bar (2000 PSI)
Operating Temperature Range (Ambient)	Nitrile Seals: -40°C to +93°C (-40°F to +200°F)
Material	Body – High strength cast iron Spool – Hardened and ground steel
Filtration	ISO Code 16/13 SAE Class 4 or better
Mounting Position	In-line; no restrictions



Ordering Information



Service Parts

Handle Kit	06656001
Kit – Spool Seals and Retaining Rings	06492001
Clevis and Lock Washer Kit	08650235

Note: The body and the spool are not service items.

Dimensions

**Mobile Accessory Valves
Series DS**

Inch equivalents for millimeter dimensions are shown in (**)

