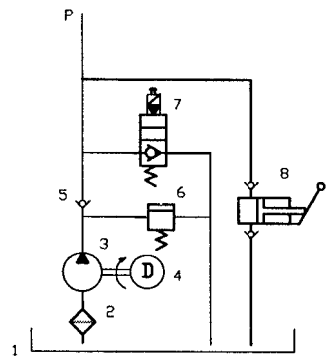
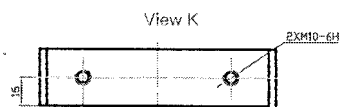
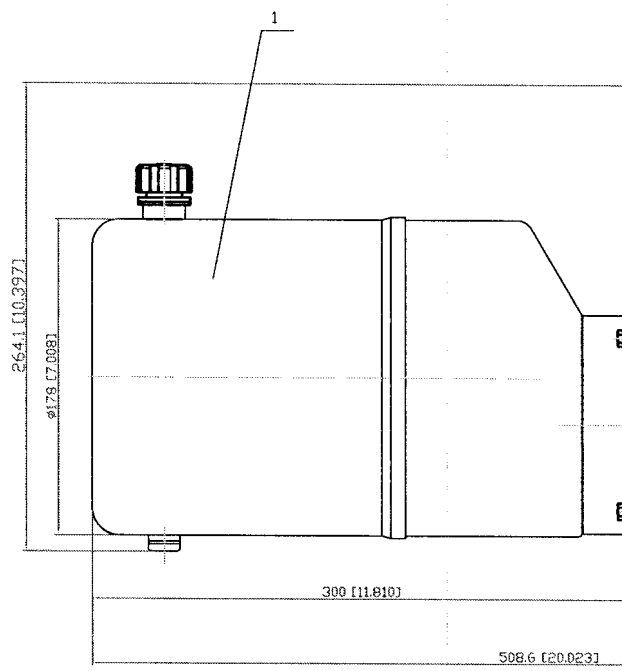
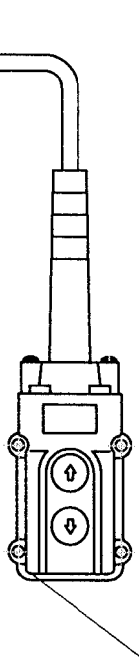
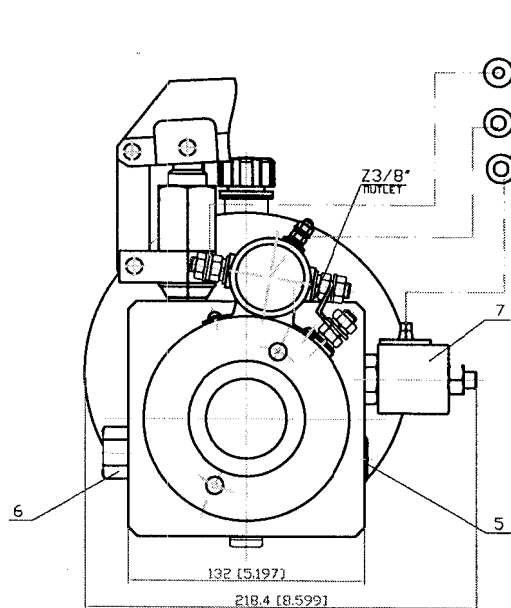


Technical data

- 1. Reservoir: 6 L
- 2. Filter
- 3. Gear pump: 2.1cc/r
- 4. Motor: DC12V, 1.5KW, S3 duty
- 5. Check Valve
- 6. Relief valve preset: 3000 PSI
- 7. 2P2W solenoid valve with Manual override
- 8. Manual pump: 8cc/stroke
- 9. Remote control RC-2B3L3M, 10 feet cable.

Mod
Nam
Cus
Des
App



Technical data

- 1. Reservoir: 6 L
- 2. Filter
- 3. Gear pump: 2.1cc/r
- 4. Motor: DC12V,1.5KW,S3 duty
- 5. Check Valve
- 6. Relief valve preset: 3000 PSI
- 7. 2P2W solenoid valve with Manual override
- 8. Manual pump: 8cc/stroke
- 9. Remote control RC-2B3L3M, 10 feet cable.

Model
Name
Custom
Desing
Approv
Wuxi D

Handwritten signature or mark