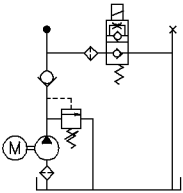


**\*\* NAMEPLATE INFORMATION \*\***

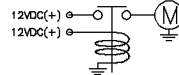
|                        |           |
|------------------------|-----------|
| GENERAL                |           |
| BAILEY SALES           |           |
| ORDER NUMBER           | 251026    |
| DATE ORDER             | DB-1470-A |
| PERFORMANCE            | RELIEF    |
| AMPS                   | 2500      |
| SPX STONE ROCKFORD, IL |           |

**\*\* HYDRAULIC CIRCUIT \*\***

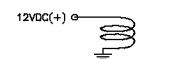


**\*\* ELECTRIC CIRCUIT \*\***

START SWITCH AND MOTOR



DIRECTIONAL VALVE SOLENOID



**\*\* UNIT SPECIFICATION \*\***

|                    |  |
|--------------------|--|
| MOTOR              | 12 VOLT DC, STANDARD DUTY, 1 TERMINAL, CORROSION-RESISTANT PLATE FINISH    |
| PUMP               | A.F.C. 2.0 CC/REV. (.122 CUIN/REV.)  |
| RELIEF             | ADJUSTABLE RELIEF VALVE SET AT 2500 P.S.I.                                 |
| ENDHEAD            | 3/8 N.P.T.F. PRESSURE-RETURN PORT<br>(2) 3/8-16 TAP x .38 DEEP MITG. HOLES |
| TANK               | 1.5 GALLON CAPACITY HORIZONTAL MOUNT WITH 3/8 N.P.T. BREATHER-FILL PORT    |
| VALVING            | RELIEF, CHECK, AND 12 VOLT DC SOLENOID RELEASE VALVE                       |
| WIRING             | 12 VOLTS DC TO SOLENOID START SWITCH AND SOLENOID RELEASE VALVE            |
| ASSEMBLY FINISHING | WIPE UNIT CLEAN OF OIL<br>PLUG MOTOR DRAIN HOLES                           |
| PACKING SHIPPING   | SHIP BREATHER & G4-1002-02<br>LOOSE IN CARTON, CARTONS ON PALLET           |

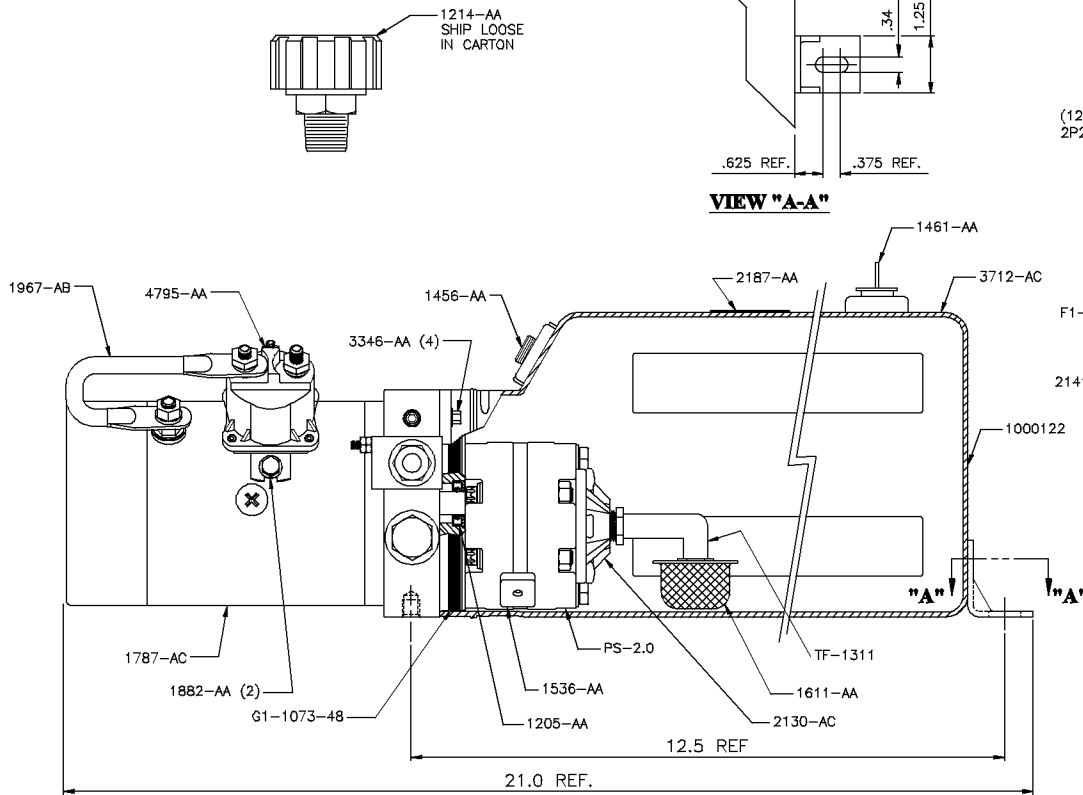
**\*\* UNIT PERFORMANCE \*\***

1.2 G.P.M. AT 2000 P.S.I.  
AT 11.7 VOLTS DC & 230 AMPS  
AT 45 CENTISTOKES (200 SSU)

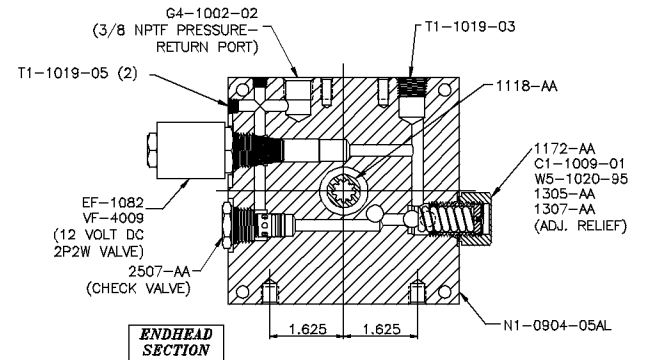
**SPX MANUFACTURING STANDARDS**

**WARNING**

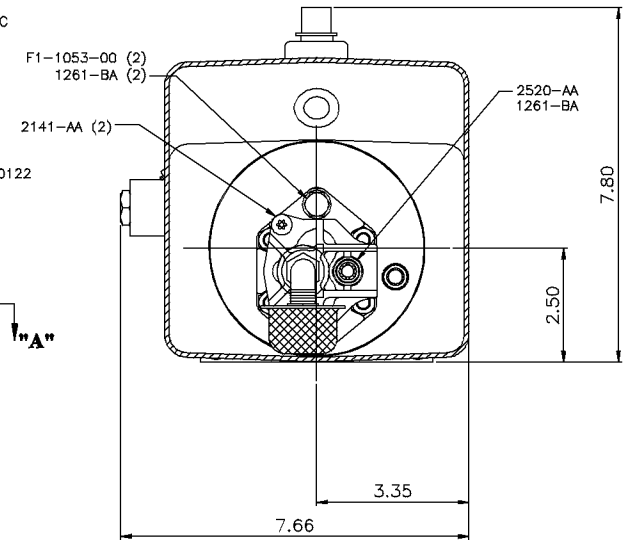
THIS POWER UNIT DOES NOT CONTAIN DEVICES WHICH PROTECT USERS FROM THE EFFECTS OF SUDDEN LOSS OF PRESSURE IN HYDRAULIC CYLINDERS.



**VIEW "A-A"**



**ENDHEAD SECTION**



|                                      |                                |              |      |
|--------------------------------------|--------------------------------|--------------|------|
| <b>SPX</b><br>HYDRAULIC TECHNOLOGIES |                                | SCALE        | SIZE |
| DRAWING NAME                         | DC UNIT (BAILEY SALES #251026) | NTS          | D    |
| DRAWING NUMBER                       | DB-1470-A                      | SHEET 1 OF 1 |      |