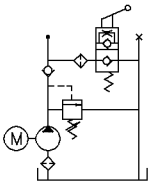


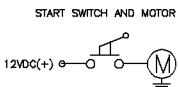
**** NAMEPLATE INFORMATION ****

BAILEY SALES			
MODEL NUMBER	250001	DATE NUMBER	
DRAWING CODE	DB-1293-A		
PERFORMANCE	2500	RELIEF	
HP/PSI		PSI	
SPX CORPORATION ROCKFORD, ILL.			

**** HYDRAULIC CIRCUIT ****



**** ELECTRIC CIRCUIT ****



**** UNIT SPECIFICATION ****

MOTOR	12 VOLT DC, 1 TERMINAL, STANDARD DUTY
PUMP	AFC 2.0 CC/REV. (122 OUN./REV.)
RELIEF	ADJUSTABLE RELIEF SET AT 2500 P.S.I.
ENDHEAD	3/8 NPTF. PRESSURE-RETURN PORTS (2) 3/8-16 TAP x .38 DP. MTC HOLES
TANK	3 QUART CAPACITY HORIZONTAL MOUNT WITH 3/8 NPTF BREATHER-FILL PORT
VALVING	CHECK VALVE
WRING	12 VOLTS DC TO MOTOR & START SWITCH
ASSEMBLY FINISHING	WIPE UNIT CLEAN OF OIL, PLUG MOTOR DRAIN HOLES
PACKING SHIPPING	SHIP 59-1001-14 HANDLE ASSY & Q4-1000-00 CAUTION TAG LOOSE IN CARTON UNITS INDIVIDUALLY PACKED ONE PER CARTON CARTONS ON PALLET

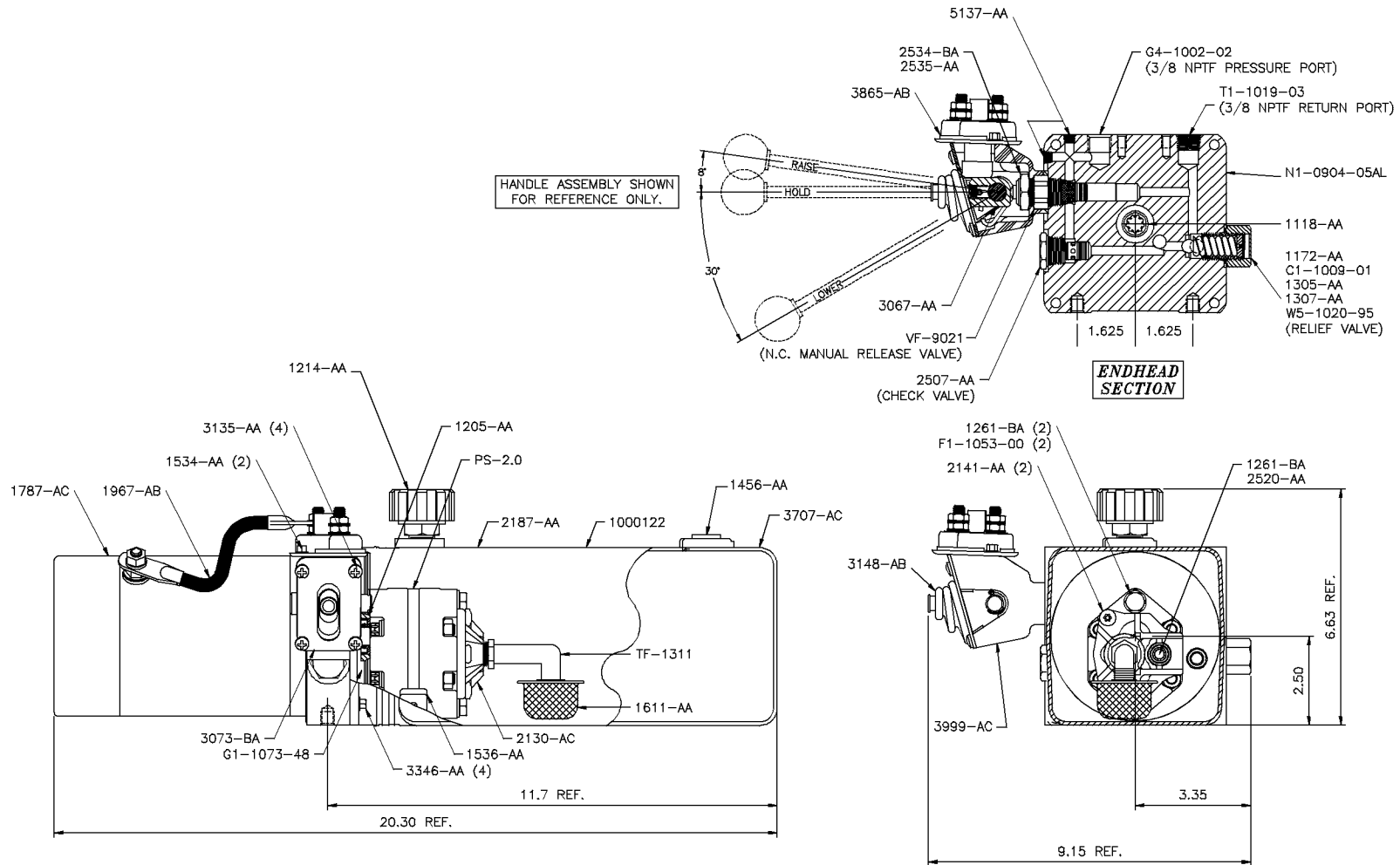
**** UNIT PERFORMANCE ****

1.2 G.P.M. AT 2000 P.S.I.
AT 11.7 VOLTS D.C. & 250 AMP
AT 45 CENTISTOKES (200 SSU)

SPX MANUFACTURING STANDARDS

WARNING

THIS POWER UNIT DOES NOT CONTAIN DEVICES WHICH PROTECT USERS FROM THE EFFECTS OF SUDDEN LOSS OF PRESSURE IN HYDRAULIC CYLINDERS.



		SCALE	SIZE	REV
		NTS	D	0
DRAWING NAME	DC UNIT (BAILEY SALES 251001)	SHEET 1 of 1		
DRAWING NUMBER	DB-1293-A			