

Rockport Double

Model # 5811

Rockport Double Mail Post



DESCRIPTION

Double It Up...Ideal for sharing, or multi-family units. This classic will stand the test of time and the test of kids.

- Weather resistant, low maintenance material
- Installs easily over a standard 4x4 wood post
- Recommended for mailboxes up to 8lbs
- 100% high-grade polyethylene with built in UV inhibitors
- Warranty: 15-Yr Residential Use / 5-Yr Commercial Use

PRODUCT DIMENSIONS

Outside Dimensions: 18.3in L x 22.8in W x 56.5in H (46.4cm x 57.8cm x 143.5cm)

Paper Holder Inset Dimensions: 10.5in W x 3.5in H (26.6cm x 8.8cm)

Paper Holder Inside Dimensions: 12in L x 5.5in W x 4.5in H (30.5cm x 14cm x 11.4cm)

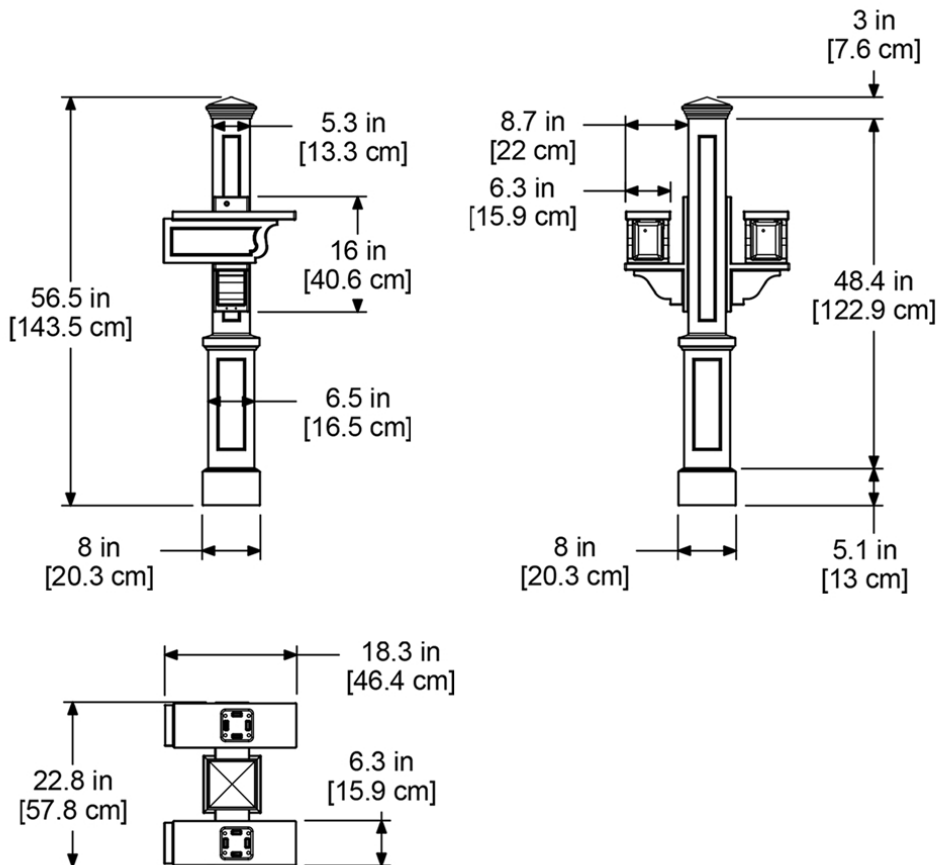
Wall Thickness: 0.125in (3.17mm)

Part Weight: 16lbs (7.4kg)

Material: Polyethylene

Contents: 1x Post, 2x Side Mount Paper Holder Arms, and Hardware

Note: 4x4 wood post, mailbox, and mailbox mounting hardware NOT included



MAYNE[®]
Outdoor Products of Distinction

7024 Kilbourne Rd - Unit A London, ON N6P 1K6
Tel: 866-363-8834 | www.gomayne.com
customerservice@gomayne.com