



1-800-779-2102

Mon – Thurs: 8:00am - 5:00pm | Friday: 8:00am - 4:00pm CST

INSPECT YOUR PRODUCT FOR DAMAGE & MISSING PARTS BEFORE PROCEEDING TO INSTALLATION

PROCEDURE FOR RETURNS OR MISSING HARDWARE

-PLEASE CONTACT THE ORIGINAL POINT OF PURCHASE FOR:
SHIPPING DAMAGE, RETURNS, OR WARRANTY CLAIMS

-CONTACT DEE ZEE DIRECTLY FOR MISSING PARTS OR HARDWARE

WWW.DEEZEE.COM

REGISTER YOUR PRODUCT ONLINE: www.deezee.com/registration

VIEW INSTRUCTIONS ONLINE: www.deezee.com/instructions

⚠ WARNING: Cancer and Reproductive Harm
www.P65Warnings.ca.gov

Operating, servicing, and maintaining a passenger vehicle can expose you to chemicals such as lead, phthalates, engine exhaust, and carbon monoxide that are known to the State of California cause cancer and birth defects or other reproductive harm. To minimize exposure, service your vehicle and its accessories in a well-vented area and wear gloves or wash your hands frequently.



DEE ZEE, INC. WARRANTY AGREEMENT

Dee Zee, Inc. guarantees the original purchaser a limited lifetime warranty against manufacturer defects in materials, workmanship, and design under normal use, excluding damage resulting from road hazards such as gravel or other debris, product misuse, improper installation, impairments from accidents, product modifications, improper repairs, spills, vandalism, product neglect, or acts of God.

This warranty applies only to the original purchaser of new product(s) and is limited to the replacement of genuine Dee Zee products. Modification of any kind to Dee Zee products voids all warranty coverage. Warranty does not include electrical components, installation, cost of removal, labor, transportation costs, loss of use, inconvenience, or consequential damages.

WARRANTY COVERAGE - MATERIALS & WORKMANSHIP

LIMITED LIFETIME WARRANTY:

- STAINLESS STEEL: Side Steps, Grill Guards, Bull Bars, Bed Caps, and Side Rails
- ALUMINUM: Side Steps, Running Boards, Storage Boxes, Transfer Tanks, Bed Protection, Side Rails, Invis-A-Racks, and Cab Racks
- PLASTIC: Storage Boxes
- OTHER: Front and Rear Bumpers

THREE-YEAR WARRANTY:

- POWDER-COATED / E-COATED STEEL: Side Steps, Running Boards, Storage Boxes, Transfer Tanks, Cab Racks, Sport Bar Ladder Racks, Cargo Carriers, Mounting Brackets (NX, Rough Step, and Bumper Guards only)
- OTHER: Tailgate Assist, Bed Mats, Floor Mats, Auxiliary Fuel Connection Kits, and All Products Not Otherwise Listed Individually

WARRANTY COVERAGE – FINISH PROTECTION

The finish of all Dee Zee products is covered for one-year (1) from the date of purchase. Dee Zee products have a high quality finish that must be cared for and maintained like any other exposed finish on the vehicle. Protect the finish with non-abrasive automotive wax (e.g. Pure Carnauba) on a regular basis. Applying soaps, polishes, or waxes that contain an abrasive compound may scratch the finish and leave the exposed material susceptible to corrosion.

WARRANTY COVERAGE – COMPONENT PARTS

Operational items such as shocks, latches, hinges, and wear items including, but not limited to, mud flaps, step pads, toolbox tray, end caps, hardware, seals, etc. have a one-year (1) warranty. Replacement component parts can be ordered via credit card (MasterCard or VISA) by calling 1-800-779-2102. All replacement parts are non-returnable and non-refundable.

GPI® FUEL PUMPS & ACCESSORIES

All Great Plains Industries (GPI) products, including transfer tank pumps and fuel meters are covered by GPI's warranty policies. Dee Zee's warranty terms do not apply to GPI products. To submit a warranty claim, please contact GPI at 1-800-835-0113 or visit www.gpi.net.

WARRANTY SUBMISSION PROCEDURE

All warranty claims will be initiated at the place of purchase. The original purchaser will be required to present the original sales receipt with purchase date shown and provide photographs of the defect.

In the event the originally purchased product style is no longer available, Dee Zee will warranty the defective part with a current equivalent. If a comparable product is no longer available, the product would be returned to the store of purchase for a refund or the applicable cost difference can be paid to choose an alternate style.

DISCLAIMER

All products are sold as appearance accessories and should not be relied upon as protection for the vehicle or its occupants in the event of an accident. Vehicles equipped with a supplemental restraints system (air bags) deployed by impact and collision avoidance systems should not be modified in any way. Always consult the vehicle manufacturer if you have any questions regarding supplemental restraint systems and sensors.

Buyer must accommodate front and rear sensors during product installation and assumes all risk should these be tampered, rerouted, severed, or disconnected. This includes disabling visual, audio, or vibration alerts into the cab. Buyer assumes all risk and responsibility for wiring any supplemental auxiliary lights.

Buyer assumes all risk, liability, and cost for the installation and use of Dee Zee products. Dee Zee, Inc. assumes no liability for injury, loss, incidental or consequential damages in the event of an accident.



Thank you for choosing Dee Zee to add function and accessorize your vehicle. Dee Zee has been a staple brand in the truck accessory market since 1977 and we hold a reputation of quality manufacturing based in America's Heartland. Our products are born through careful engineering and backed by industry leading warranty programs. We appreciate the opportunity to serve you and your vehicle!

Review the instruction pages in their entirety to prepare the required tools

Warning: The included J-Bolts must be used during installation to secure the crossover tool box to the truck bed. Do NOT use self-tapping screws on crossover tool boxes. Self-tapping screws can be used only on chest style tool boxes being installed to the truck bed. Premium J-Bolts for crossover tool boxes are available online at www.deezee.com that have more surface area and molded to your truck bed rails. Tie downs designed specifically for Ford aluminum body trucks also are available.

The tool box warranty is void if one of these securing methods is not used.

Note: Dee Zee tool boxes are NOT air tight. An air-tight seal allows condensation to form inside of the box, causing the contents to be susceptible to mold or rust. Dee Zee boxes feature various bulb seals and foam gaskets on the lid to help resist weather elements. Should the weather stripping become damaged, please contact our customer service for replacement options at: **1-800-779-2102**

Tool box locks are provided as a theft deterrent and they should always be engaged to prevent easy access to the contents of your tool box when not in use. Contents stored in the tool box are the responsibility of the user and Dee Zee disclaims responsibility of theft. Dee Zee does not insure any loss of contents.

Cleaning: To be entitled to all warranty rights offered with the product, Dee Zee tool boxes need to be cleaned regularly with a mild detergent. Do NOT use abrasive cleaners. For stainless steel products, the application of a high grade automotive wax is recommended.



Dee Zee Cares - Please Recycle

For an electronic version of these instructions visit: www.deezee.com/instructions

Register your product online: www.deezee.com/registration



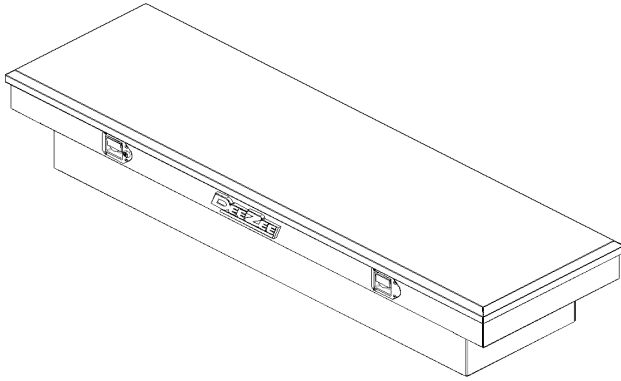
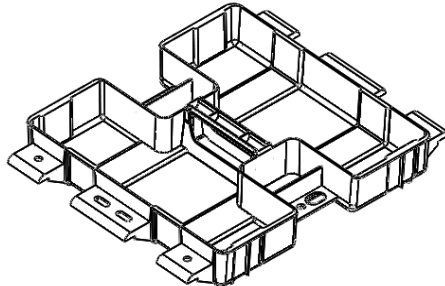
Dee Zee Toolbox Installation Instructions

Congratulations on your purchase of a quality Dee Zee product. Dee Zee is recognized as having the highest quality running boards and accessories on the market today. We have earned this reputation by offering our customers a product they can be proud to place on their vehicles. Dee Zee meets all the criteria of manufacturing a custom-fit product which guarantees it to be the easiest product to install.


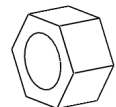
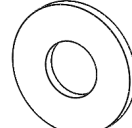
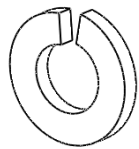
Note: Please take time to read all of the instruction before beginning this installation.


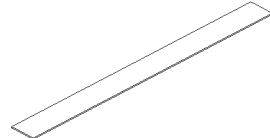
Note: Unless you are using a Dee Zee premium tool box mounting kit, use J-bolt provided or the **WARRANTY IS VOID.**
DO NOT USE self tapping screws to mount.

Dee Zee Brite Tread Tool Box Installation Instruction


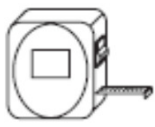
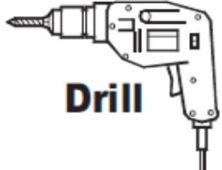
<div style="display: flex; justify-content: space-between;"> A TOOL BOX </div>  <p style="margin-top: 20px;">Although a single lid tool box is pictured, this instruction works for all cross over boxes.</p>	<div style="display: flex; justify-content: space-between;"> B TRAY (OPTIONAL) </div>  <p style="margin-top: 20px;">NOTE: NOT ALL TOOL BOX MODELS COME WITH A TRAY.</p>
---	--

VARIES
X1
TBTRAY-18A
X1

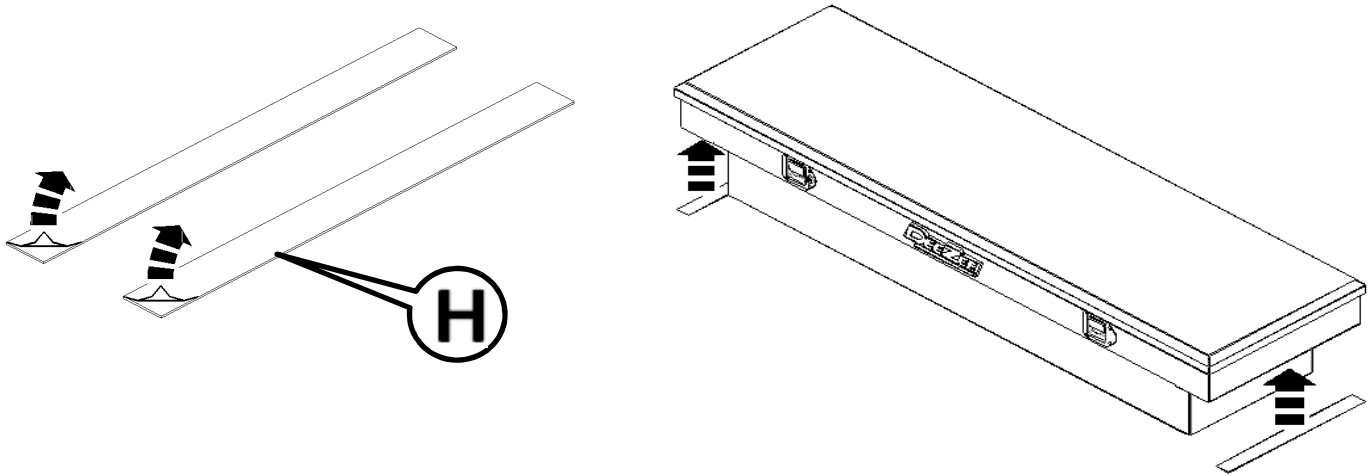
<div style="display: flex; justify-content: space-between;"> C J-BOLT </div>  <p>PN 549 X2</p>	<div style="display: flex; justify-content: space-between;"> D 3/8" NUT </div>  <p>PN 90 X2</p>	<div style="display: flex; justify-content: space-between;"> E 3/8" WASHER </div>  <p>PN 113 X2</p>	<div style="display: flex; justify-content: space-between;"> F 3/8" LOCK WASHER </div>  <p>PN 89 X2</p>
--	---	--	---

<div style="display: flex; justify-content: space-between;"> G VINYL CAP </div>  <p>PN 550 X2</p>	<div style="display: flex; justify-content: space-between;"> H GASKET </div>  <p>FGT 12 X2</p>		
--	---	--	--

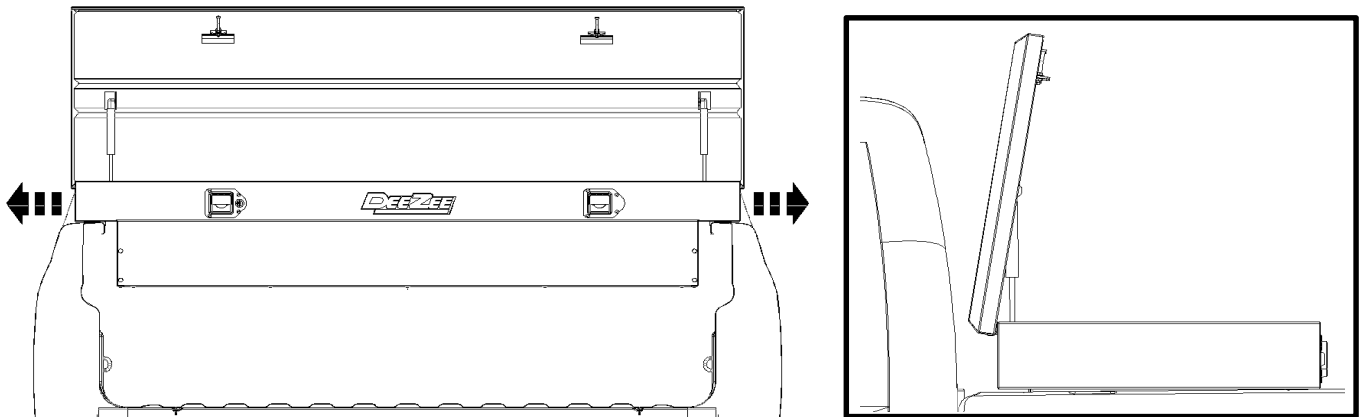
--	--	--	--

<p style="font-weight: bold; margin: 0;">TOOLS REQUIRED</p>	<p style="margin: 0;">WRENCH/RATCHET 9/16"</p> 	<p style="margin: 0;">TAPE MEASURE</p> 	<p style="margin: 0; text-align: center;">  Drill </p> <p style="margin: 0; text-align: center;">13/32" DRILL BIT</p>
---	--	--	--

- 1** TO INSTALL TOOL BOX IN TRUCK BED:
Peel the backing covering the adhesive on the gasket [H].
Apply the gasket to the underside of the tool box.

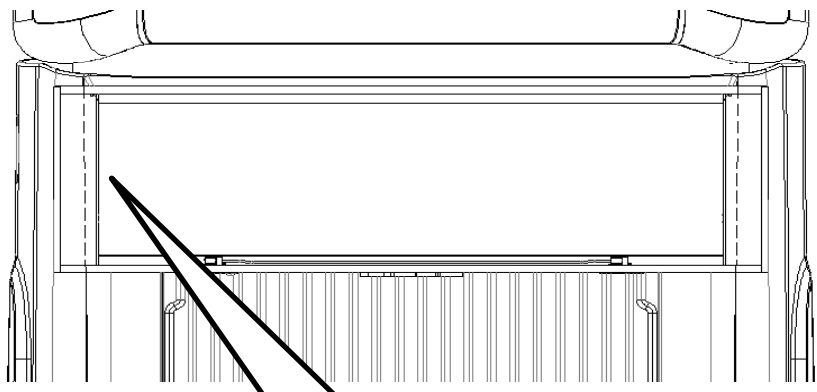


- 2** Place the tool box in the truck and center it on the vehicle. Use a tape measure to check center.
Open the lid to make sure there is sufficient clearance for the cab.



3

Once the tool box is centered, mark and drill the mounting hole for the J-hook.
The mounting hole should be near the center of the box, and near the lip of the truck bed rail



TOP VIEW OF TOOL BOX BODY IN TRUCK BED

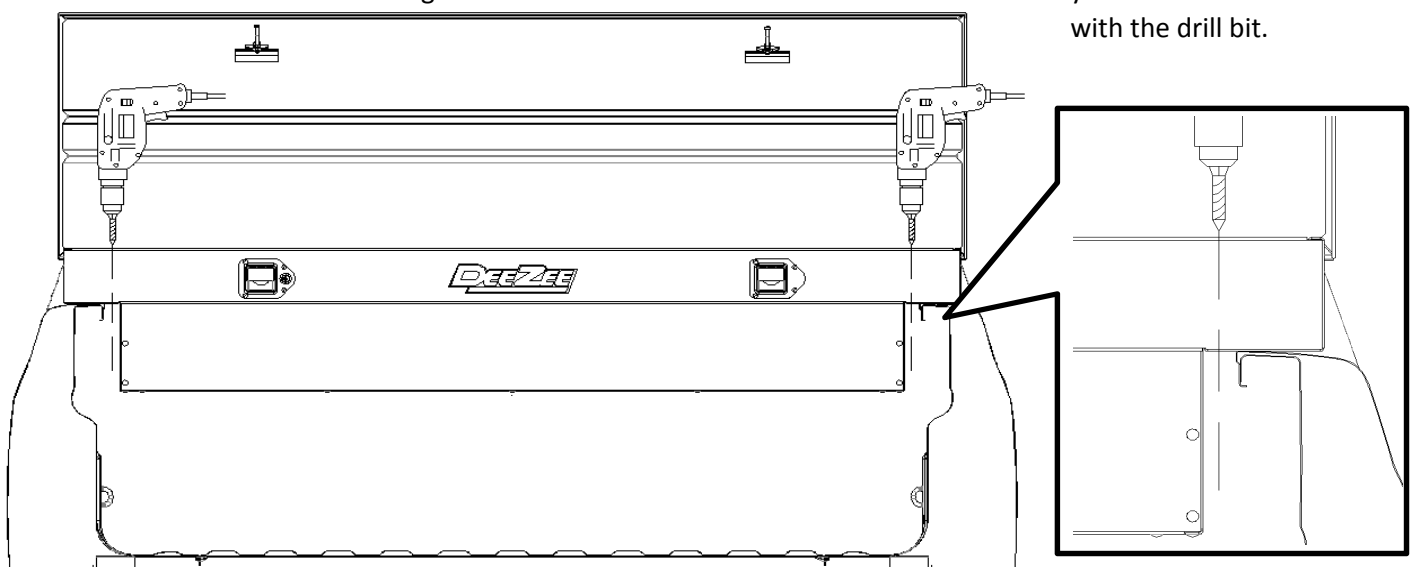
LIP OF TRUCK BED RAIL UNDER TOOL BOX



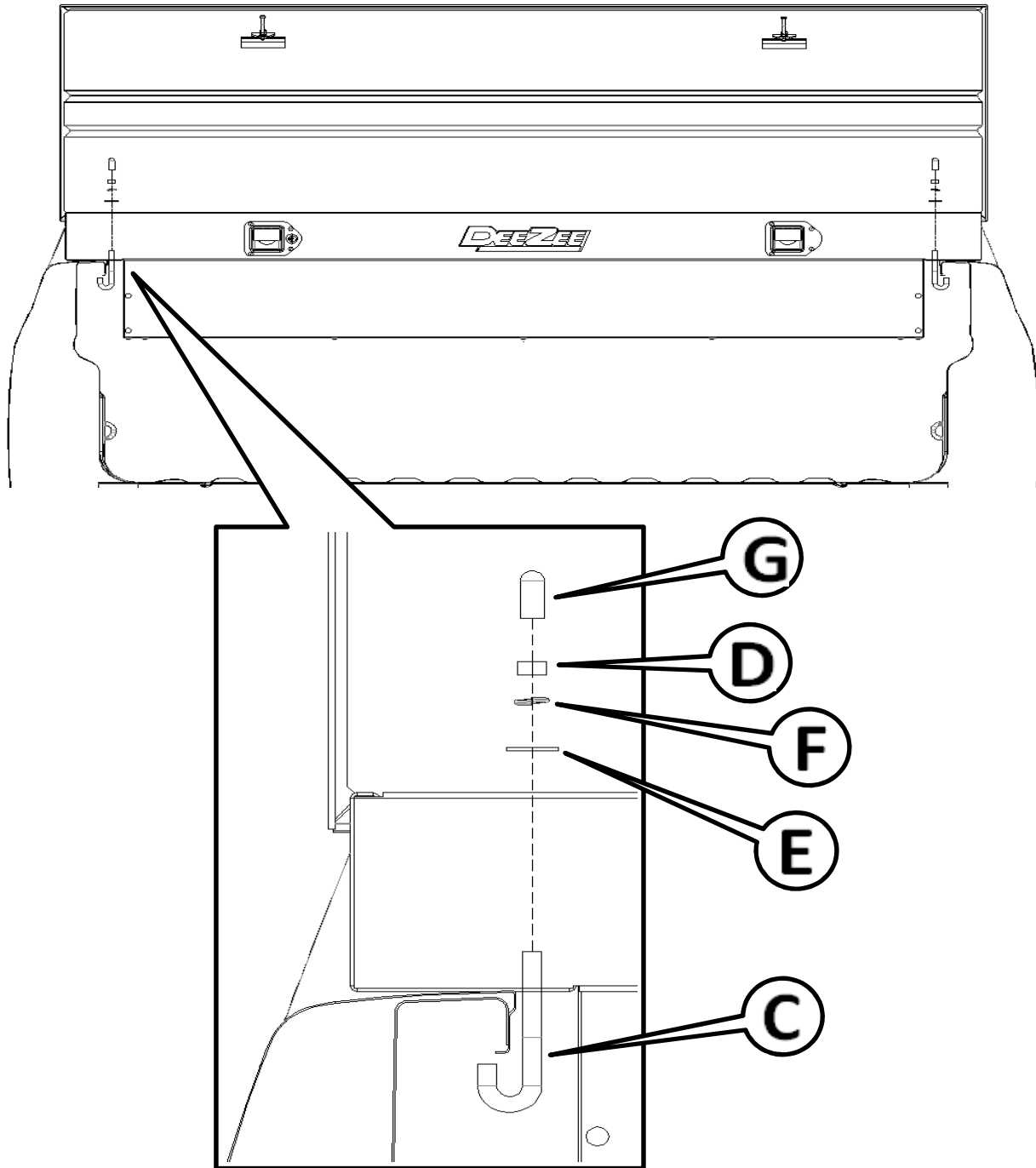
HOLE FOR J-BOLT SHOULD BE IN THIS AREA

Note: After you have marked the location to drill, slide the tool box towards the side you are not drilling to make sure you don't hit the bedrail with the drill bit.

Drill a 13/32" hole on each end of the tool box.
Be sure to drill between the edge of the tool box and the bed rail.



- 4** Once the holes are drilled, attach the tool box using the J-bolt [C], 3/8" washer [E], 3/8" lock washer [F], and 3/8" nut [D]. Use a 9/16" deep well socket, or a 9/16" wrench to tighten. Once the tool box is secured, place the vinyl cap [G] on the exposed J-bolt threads.



MAINTENANCE INSTRUCTIONS:

All locks, latches, latching rods, and hinges should be lubricated periodically to assure smooth and proper operation for the life of the tool box.

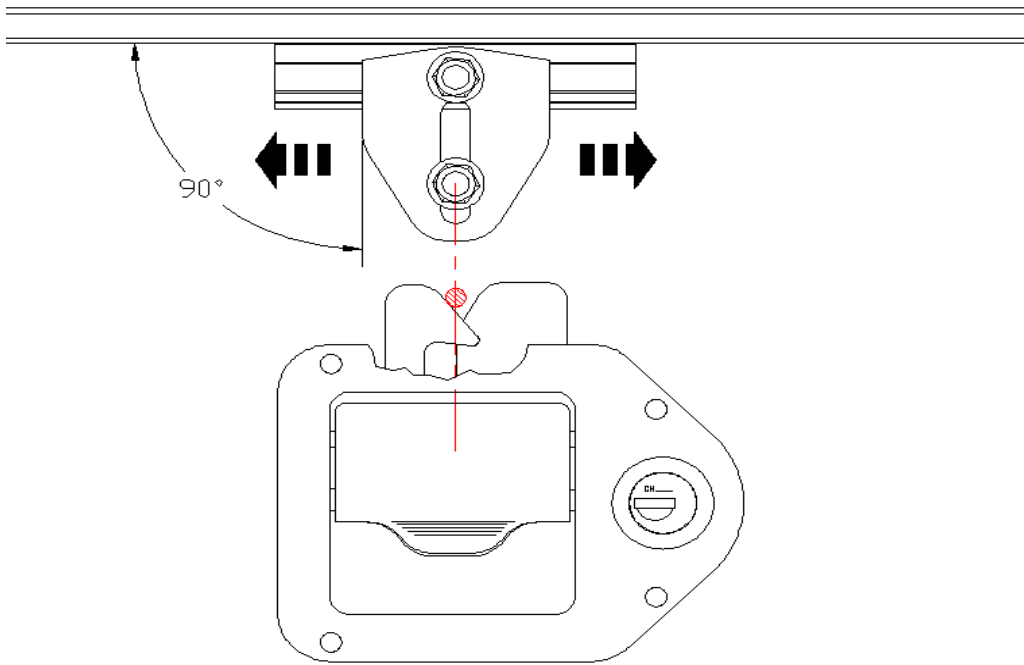
TOOL BOX LATCH ADJUSTMENT

NOTE: TOOL BOX LATCH WAS PRESET AT THE FACTORY. MAKE SURE THE LATCH IS ADJUSTED TO THAT OF YOUR DESIRED SEAL.

ALSO, PERIODIC ADJUSTMENT MAY BE NEEDED OVER TIME.

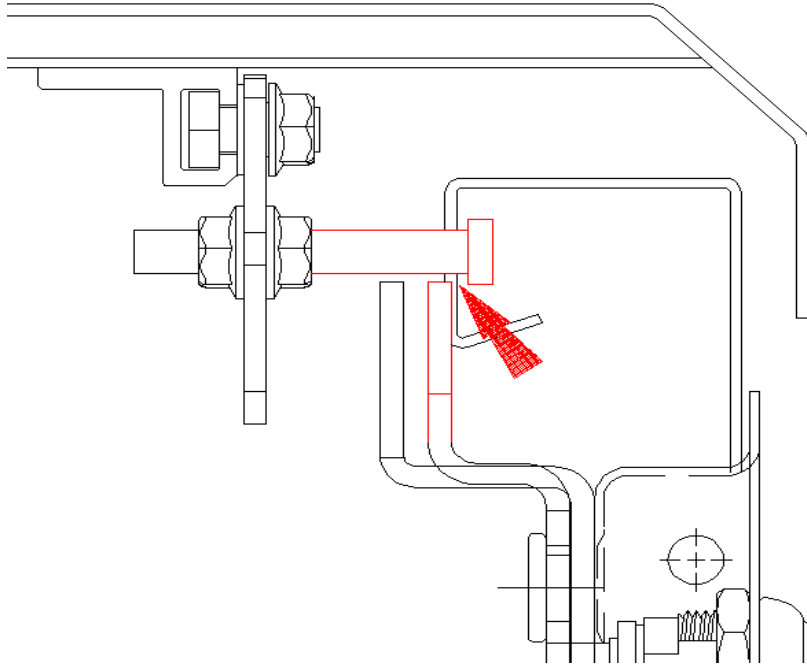
PLEASE REFER TO LATCH ADJUSTMENT INSTRUCTION BELOW.

- 1) Keeping the striker plate perpendicular to the lid, adjust the striker location left and right to align the pin with the latch as shown below. The dot identified by the arrow shows the preferred location of the striker pin.

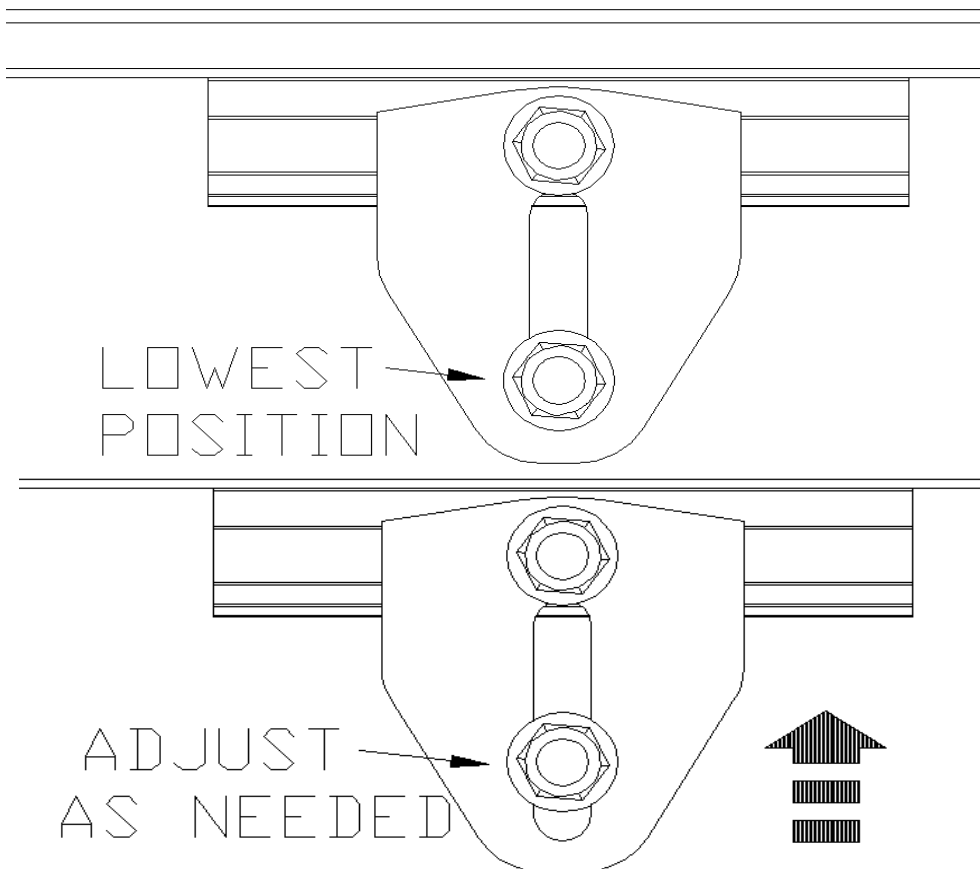


- 2) When the striker pin is correctly centered, tighten top bolt to set the location.

3) Set the pin depth to ensure that the head will clear the latch.



4) Tighten the pin in the lowest location, and close the lid. If the lid is able to move up and down when latched, the latch pin needs adjusted. Adjust the pin up the approximate amount the lid is able to move and retighten. Repeat as necessary.





REPLACEMENT KEYS ORDER FORM

**Ever lose your keys?
Save yourself time and trouble!**

Complete the form below to order your Dee Zee tool box replacement keys.

Mail form and payment to:

Dee Zee, Inc.
Attention: Replacement Keys
P.O. Box 3090
Des Moines, IA 50316

- OR -

Fax to: 515-265-7926
Attention: Replacement Keys

Name: _____

Address: _____

City, State, Zip: _____

Phone: () -

Method of payment:

Cash, Check or Money Order

MasterCard

Visa

Card Number: _____

Expiration Date: _____ CVV: _____

Tool Box Key Replacement (Write key and/or lock number below to order a pair (2) of replacement keys. Usually start with EC, CH, TM or H.)

Key and/or Lock #:	\$12.00 (USD)	
Total		















Signature required for order authorization & processing.

Signature: _____

Contact Dee Zee Customer Service at: **1-800-779-2102.**
www.DeeZee.com

Illustration	Description	Illustration	Description
 DZTBTRAY1	Tool Box Tray (Plastic) 18" x 15.5"	 K2702STC	T - Handle Latch Steel Underbed Tool Boxes Only {Keys Included}
 DZTBTRAYHD	Tool Box Tray (Steel) 18" x 15.5"	 K2702ST	T - Handle Latch Aluminum Underbed Tool Boxes Only (Keys Included)
 DZTBMAT2	Tool Box Mat 72" x 20"	 TB85623	Blue Label Push Button Latch (Keys Included)
 DZTBLATCH1	Locking Hook Style Latch (Keys Included)	 TB85619N	Red Plus Push Button Latch (Driver Side, Keys Included)
 DZTBLATCH2	Non-Locking Hook Style Latch	 TB85621N	Red Plus Push Button Latch (Passenger Side, Keys Included)
 DZTBLATCH3	Locking Post Style Latch (Keys Included)	 TB85620N	Tool Box Push Button Post Piece
 TB85614N	Non-Locking Post Style Latch	 DZTBLOCK1	Lock Cylinder - Straight Tab (Keys Included)

1-800-779-2102

Illustration	Description	Illustration	Description
 DZTBSHOCK1	Ball and Socket Mounted Shock 10.5" 80lb.	 BPTBOX1	Standard Tool Box Mounting Kit
 DZTBSHOCK2	Blade and Eyelet Mounted Shock 10" 70lb.	 DZ97904	Premium Tool Box Mounting Kit
 DZTBSHOCK3	Shock - ball and socket mount 10.5" 60lb	 DZGASCAP	Vented Gas Cap + Threaded Neck
 DZTBSTRIKER	Striker for Post Style Latches	 DZGASCAP2	Vented Gas Cap Only
 B1601ASSM	Red Label Striker	 DZGASCAP3	Lockable Vented Gas Cap With Threaded Neck
 B1876ASSM	Blue Label Striker	 PLG01	Plastic Plugs (2)
 PS1000	Adjustable Striker for Lift-up Paddle Handle Tool Boxes	 FGT12	Foam Grip Tape (2) 22" x 1.5"
 TB85615	Latch Rod Connector	 FGT02	Foam Grip Tape (15' Roll)

1-800-779-2102