

INSTRUCTION MANUAL

MR. SPIN® COMPOST TUMBLER

For a very helpful animated assembly video, please go to:
www.exaco.com/mr-spin-compost-tumbler.php
or find it on You Tube by searching:
“Mr Spin composter assembly animation”



YouTube 3-D
Assembly
Video:

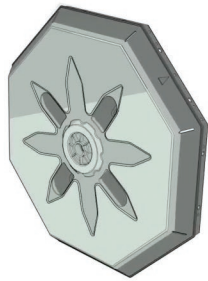
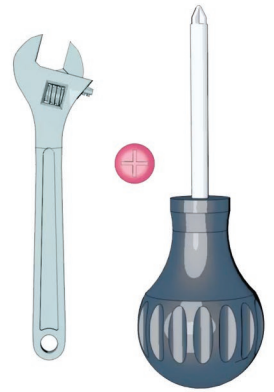


If you are missing parts or having trouble with assembly, please reach out via email or phone before returning to your retailer.

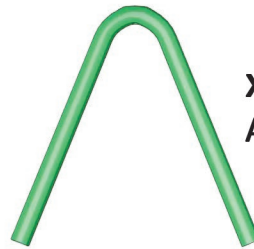
Exaco Trading Customer Service:
customerservice@exaco.com
877-760-8500, ext. 701
www.exaco.com

PARTS LIST AND ASSEMBLY TOOLS

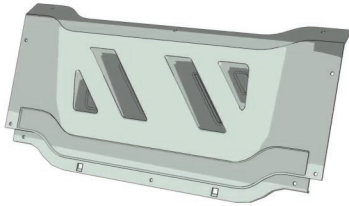
1. Unpack box and organize parts into similar groups.
2. An adjustable or fixed wrench and screwdriver are all you will need for assembly. If you prefer, you may use a nut driver or standard pliers to hold the nuts firmly. Use your screwdriver to tighten from the outside during assembly.



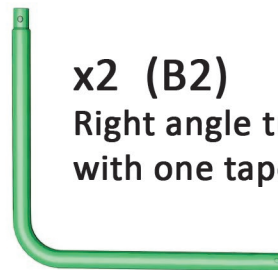
x2 (A1)
Black Octagonal Ends



x2 (B1)
Acute angle tubes



x7 (A2)
Black Panels

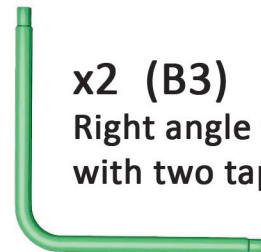


x2 (B2)
Right angle tube
with one tapered end



x1 (A3)
Green Door Panel

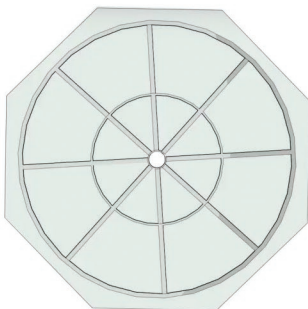
(Door panel and doors come pre-assembled)



x2 (B3)
Right angle tube
with two tapered ends



x2 (A4)
Access Doors



x2 (A5)
Octagonal
Divider

x1 (B4) Axle Tube



x 56 (C1)
Small bolts with nuts



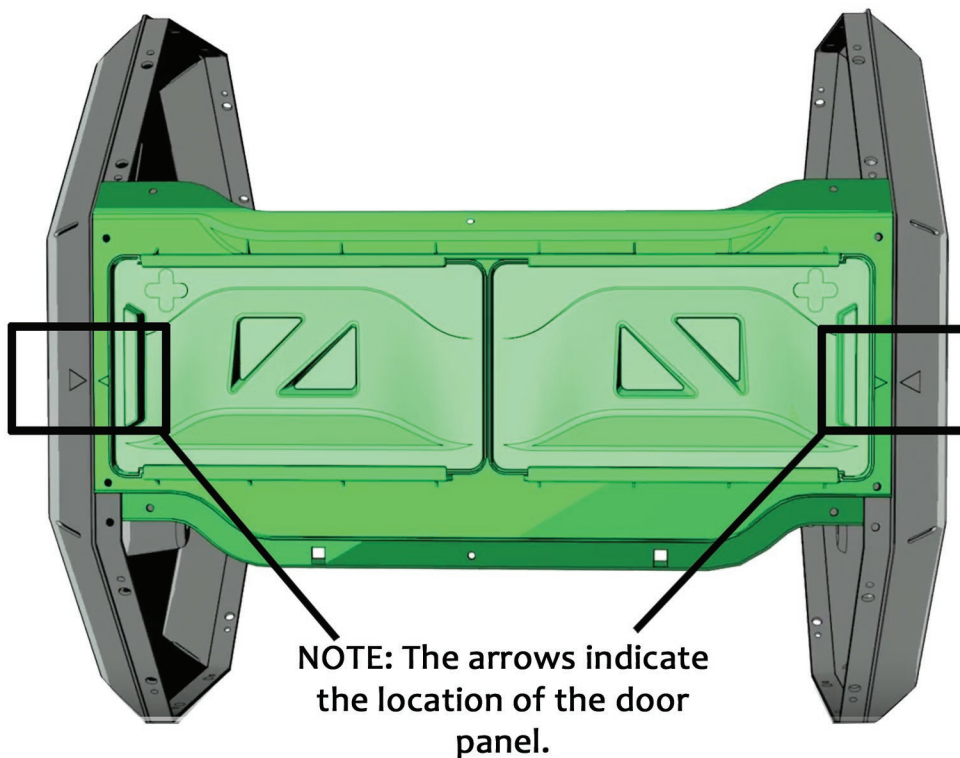
x 2 (C2)
Long bolts with
locking nuts

ASSEMBLY STEPS

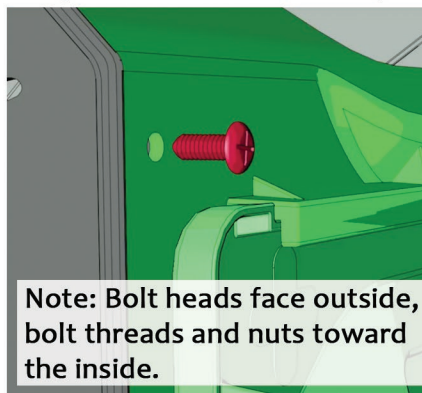
For a very helpful animated assembly video, please go to:
www.exaco.com/mr-spin-compost-tumbler.php
or find it on You Tube by searching:
"Mr Spin composter assembly animation"

Even though this composter can be assembled by one person, it will be easier and faster to assemble with two people.

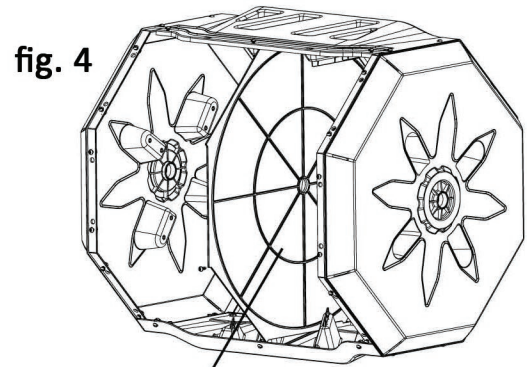
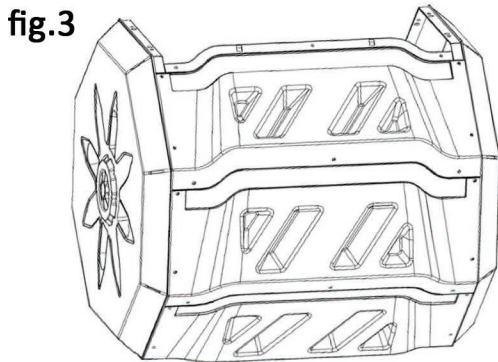
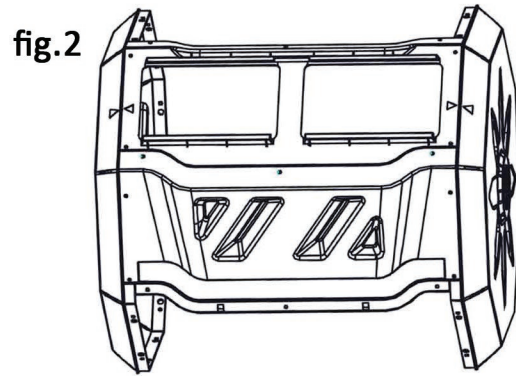
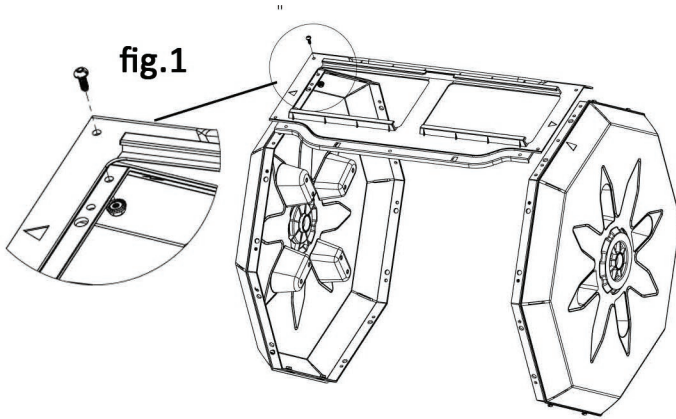
1. Take the two octagonal ends (A1) and align the arrows on the door panel (A3) with the arrows on the ends (A1). Attach using bolts and nuts (C1). Bolt heads face outside, bolt threads toward the inside. *Do not use any other panel for this step.*



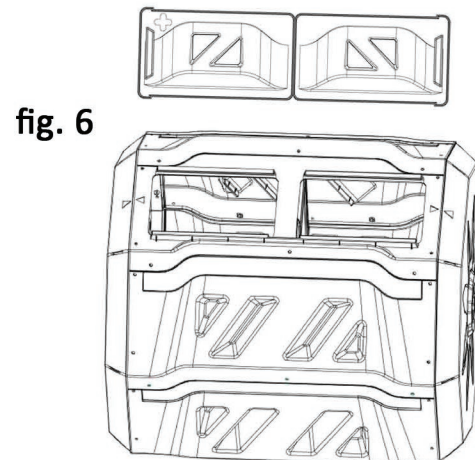
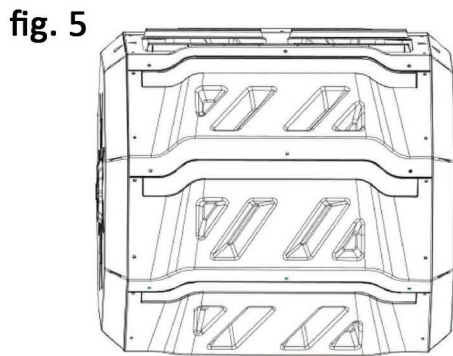
(outside of composter)



2. As shown below, attach the next 7 panels (A2) with small bolts and nuts (C1) and continue around the composter, making sure to insert octagonal center divider (A5) before attaching the final 3 panels (see figure 4).

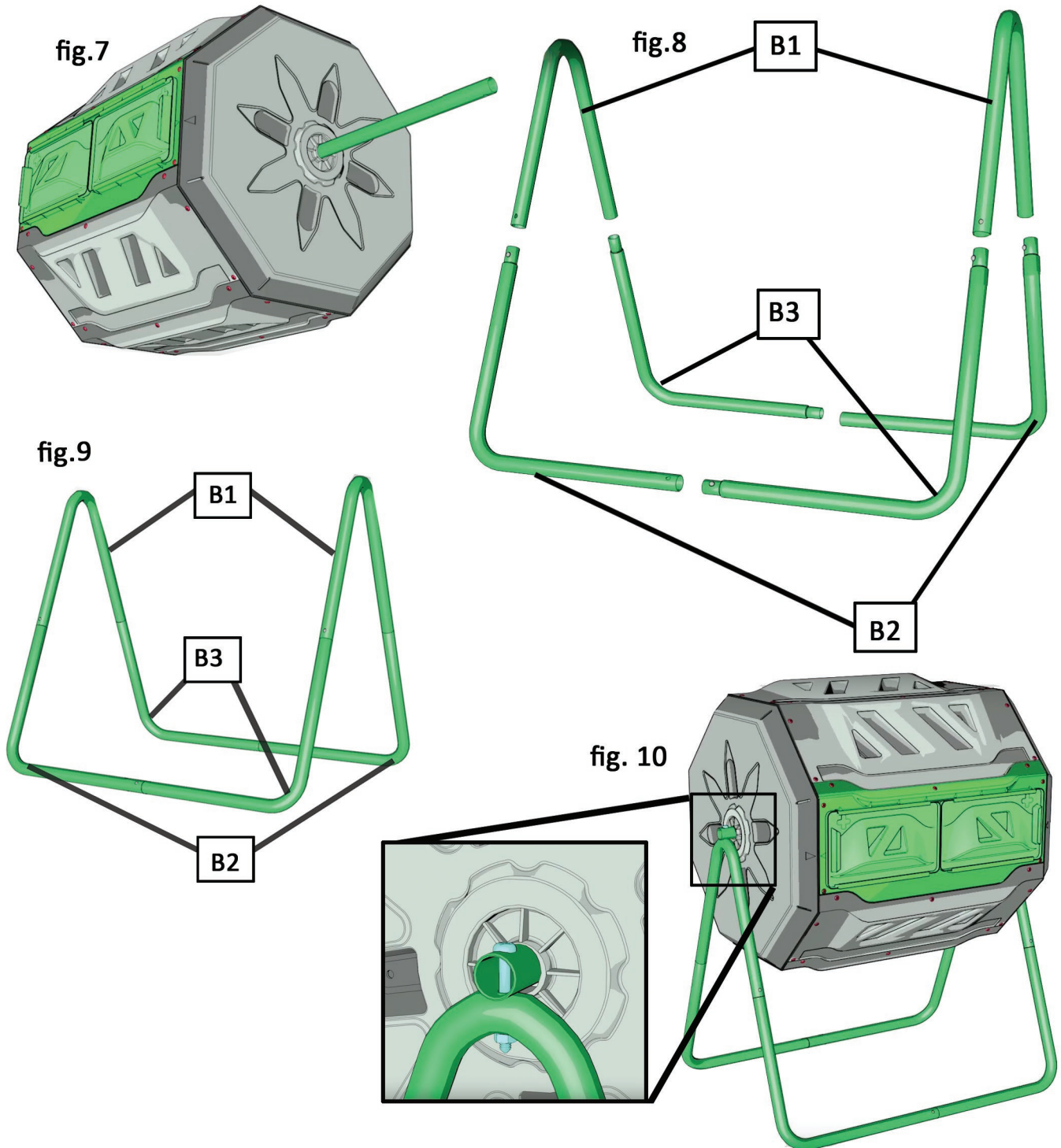


Insert chamber divider (E) to composter after 4th panel is attached.



Note: If you assembled the panels by hand tightening each bolt, make sure to use a wrench or pliers for final tightening.

3. Insert straight axle tube (B4) through holes on each side of composter (fig. 7)
4. Assemble composter stand by slip-fitting the 6 pre-bent frame tubes (B1, B2, B3) into each other until spring button pops through hole. Please note that the B2 pieces are at opposite corners from each other. The B3 pieces are also at opposite corners from each other. (fig. 8 and fig. 9)
5. Place, hold, and bolt (C2) composter axle (B4) on top of the stand into the aligning holes. Tighten bolts and locking nuts firmly with tools.



Note: If you assembled the panels by hand tightening each bolt, make sure to use a wrench or pliers for final tightening.

The Essentials of Composting



MOISTURE

Decomposer organisms also need water to compost efficiently. The compost pile should be watered periodically, depending upon temperatures and rainfall. A moisture content of 40% is desired. This is the moisture content of a damp sponge.

AIR

Like most living creatures, the decomposer organisms need oxygen to survive. A properly aerated (aerobic) pile will compost faster and more thoroughly than an oxygen-starved (anaerobic) pile. The pile is aerated when you turn and mix the material. The pile should be turned every one to two weeks to maintain proper aeration.

SURFACE AREA

It is best to have your materials properly shredded before putting them into a compost pile. Doing so will increase the surface area that the composting organisms have to feed upon, which makes the organisms more efficient and able to create compost faster. Always mow or chop up material before it is added to the compost pile. Proper particle size reduction can be explained by an analogy using a block of ice. A block of ice will melt very slowly. Crush that same amount of ice, and it will melt much more quickly. The same principle works for a compost pile. A large piece of organic material will decompose slowly, taking longer. That same item, when chopped up, will decompose much more quickly.

TO MAKE COMPOST COLLECTING EASIER - TRY A KITCHEN COMPOST!

SYMPTOM	PROBLEM	SOLUTION
The pile smells bad	<ul style="list-style-type: none"> • Too much moisture • Too much nitrogen-rich materials in the pile 	<ul style="list-style-type: none"> • Turn the pile • Do not water as often and turn the pile to dry out the material • Add leaves and/or shredded paper.
The pile will not get hot	<ul style="list-style-type: none"> • Not enough water • Pile too small • Not enough nitrogen-rich materials in the pile. • Particle size too large. 	<ul style="list-style-type: none"> • Add water. • Gather more material and built the pile to at least 3' x 3' x 3'. • Mix in fresh nitrogen-rich materials, such as grass or fruit and vegetable trimmings. • Chop or grind materials to reduce the particle size.
The pile attracts flies, rodents, or other pests.	<ul style="list-style-type: none"> • Protein-rich, fatty, or sugary foods that are present in the pile • Food is exposed. 	<ul style="list-style-type: none"> • Be sure to leave meat, bones, oily foods, and dairy products out of the compost pile. • Bury the fruit and vegetable trimmings at least 6-12 inches deep.



EXACO TRADING CO

www.exaco.com • (877)760-8500 ext. 701

Composting

Questions & Answers

DO COMPOST

NITROGEN

- Fruit & Vegetable scraps
- Flowers
- Coffee Grounds
- Weeds
- Barnyard Manure
- Grass Clippings
- Sod

CARBON

- Ash
- Bread
- Coffee Filters
- Dry Leaves
- Egg Shells
- Hair
- Shredded Paper
- Sawdust
- Tea Bags

ORGANIC MATERIALS

These are your yard clippings and the food that the decomposer organisms feed on, turning them into compost. The materials that are suitable for composting are either carbon materials (brown and dry) or nitrogen materials (green and moist).

Carbon Materials

Include fallen leaves, sawdust, and dry grass clippings.



Nitrogen Materials

Include freshly cut green grass and fruit and vegetable scraps



DO NOT COMPOST

- Bones
- Cat Litter
- Chicken
- Diapers
- Diseased Plants
- Dog or Cat Feces
- Meat
- Oils & Fats
- Peanut Butter
- Salad Dressing
- Dairy Products



JUST ADD WATER AND STIR

Composting is a very basic process. You can simply put yard clippings into a pile and let nature do the rest in its own time. Compost will happen; yet it will happen very slowly. You can help it along by providing a balanced diet and an enriched environment for the organisms that do the work of composting.

Decomposer organisms are made up of both microorganisms, such as bacteria, and macroorganisms, such as worms. Supplying them with their basic needs, food, water, and air, will increase the efficiency of their compost efforts.

FOR ONLINE INTERACTIVE GUIDE: FOLLOW THIS LINK

[HTTP://www.aerobin400.com/aerobin400-usa/compostsimulator.aspx](http://www.aerobin400.com/aerobin400-usa/compostsimulator.aspx)