

Liberty

Model # 5805

Liberty Mail Post



DESCRIPTION

Distinctive in Design...Bring the past together with the present in a way that's beautiful and radiant. Good taste and superior quality never go out of style.

- Weather resistant, low maintenance material
- Installs easily over a standard 4x4 wood post
- Recommended for mailboxes up to 16lbs
- 100% high-grade polyethylene with built in UV inhibitors
- Warranty: 15-Yr Residential Use / 5-Yr Commercial Use

PRODUCT DIMENSIONS

Outside Dimensions: 30.7in L x 14in W x 63.8in H (78.1cm x 35.5cm x 162.1cm)

Paper Holder Inset Dimensions: 10.3in W x 4.3in H (26.2cm x 11cm)

Paper Holder Inside Dimensions: 13in L x 6in W x 4.5in H (33cm x 15.2cm x 11.4cm)

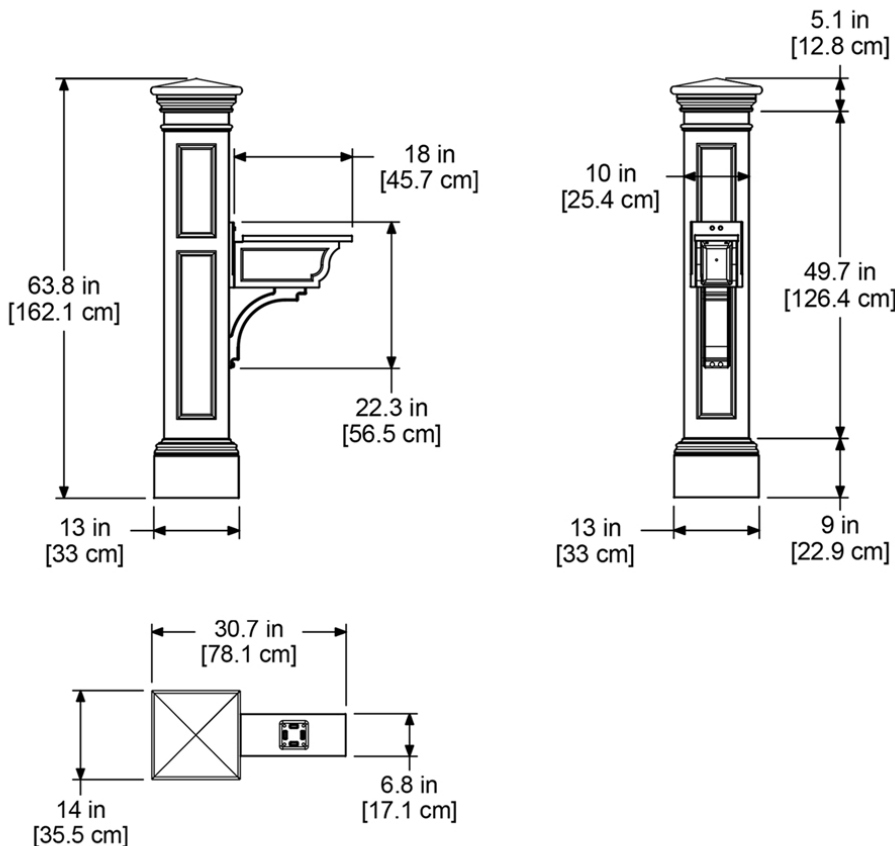
Wall Thickness: 0.125in (3.17mm)

Part Weight: 20lbs (9.1kg)

Material: Polyethylene

Contents: Post, Paper Holder Arm, and Hardware

Note: 4x4 wood post, mailbox, and mailbox mounting hardware NOT included



MAYNE[®]
Outdoor Products of Distinction

7024 Kilbourne Rd - Unit A London, ON N6P 1K6

Tel: 866-363-8834 | www.gomayne.com

customerservice@gomayne.com