



# PRODUCT GUIDE

# GUIDE DES PRODUITS

# GUÍA DEL PRODUCTO

MODEL | MODÈLE | MODELO

18202075

16" Bullet Smoker

Serial number | Numéro de série | Número de serie

See rating Label on grill for serial number.

Ce numéro se trouve sur l'étiquette signalétique sur l'appareil.

El número de serie se encuentra en la etiqueta de especificaciones de la parrilla.

Date purchased | Date d'achat | Fecha de compra

If you have questions or need assistance during assembly, please call 1-800-241-7548.

Si vous avez des questions ou besoin d'aide pendant l'assemblage, s'il vous plaît appelez 1-800-241-7548.

Si tiene alguna pregunta o si Necesita ayuda durante el Ensamblado, llámenos Al 1-800-241-7548.

#### Tools needed for assembly:

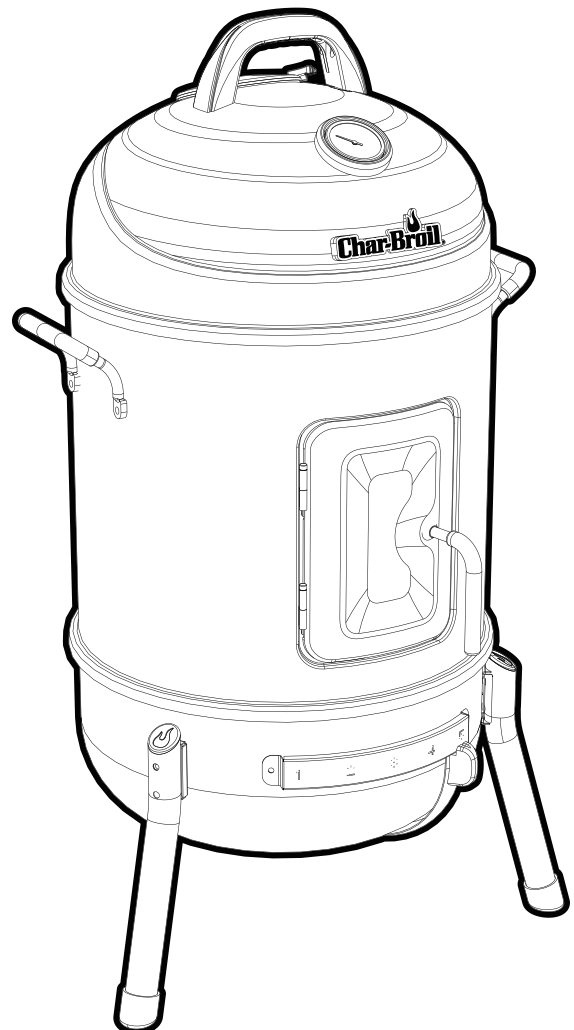
Adjustable Wrenches  
#2 Phillips Screwdriver  
(Tools not provided)

#### Outils nécessaires pour l'assemblage :

Clés à molette  
Tournevis cruciforme no 2  
(Outils non fournis)

#### Herramientas necesarias para el ensamblaje:

Llaves ajustables  
Destornillador Phillips n°. 2  
(Herramientas no incluidas)



## TABLE OF CONTENTS

Product Record Information.....	1
Safety Warnings .....	2-4
Limited Warranty .....	5
Hardware List .....	14
Parts Diagram.....	15
Parts List.....	16
Assembly.....	17-20
Registration Card.....	23

This instruction manual contains important information necessary for the proper assembly and safe use of the appliance.

Follow all warnings and instructions when using the appliance.

### INSTALLER/ASSEMBLER:

Leave this manual with consumer.



### CONSUMER:

Keep this manual for future reference.

### SAFETY SYMBOLS

The symbols and boxes shown below explain what each heading means. Read and follow all of the messages found throughout the manual.

	<b>WARNING</b>	
<b>WARNING:</b> Indicates a potentially hazardous situation which, if not avoided, could result in death or serious injury.		

	<b>CAUTION</b>	
<b>CAUTION:</b> Indicates a potentially hazardous situation or unsafe practice which, if not avoided, may result in minor or moderate injury.		



	<b>WARNING</b>	
<b>CARBON MONOXIDE HAZARD</b>		
Burning charcoal inside can kill you. It gives off carbon monoxide, which has no odor. NEVER burn charcoal inside homes, vehicles, or tents.		

	<b>CAUTION</b>	
Some parts may contain sharp edges. Wear protective gloves if necessary.		



## THIS GRILL IS FOR OUTDOOR USE ONLY.

	<b>WARNING</b>	
Failure to follow all manufacturer's instructions could result in serious personal injury and/or property damage.		



	<b>CAUTION</b>	
Read and follow all safety statements, assembly instructions, and use and care directions before attempting to assemble and cook.		



	<b>WARNING</b>	
<b>CALIFORNIA PROPOSITION 65</b>		
<ol style="list-style-type: none"><li>1. Combustible by-products produced when using this product contains chemicals known to the State of California to cause cancer, birth defects, or other reproductive harm.</li><li>2. This product contains chemicals, including lead and lead compounds, known to the State of California to cause cancer, birth defects or other reproductive harm.</li></ol>		
<i>Wash your hands after handling this product.</i>		

	<b>WARNING</b>	
Ash catcher pan must be fully installed during operation. Failure to properly install could result in hot embers falling from grill.		

	<b>WARNING</b>	
Most surfaces on this unit are hot when in use. Use extreme caution. Keep others away from unit Always wear protective clothing to prevent injury.		
Keep children and pets away.		
Do not move this unit during operation.		
Never substitute gasoline, kerosene or alcohol for charcoal starter. In some states, the use of charcoal starter is prohibited by law. In this case, paraffin-based starter cubes can be substituted for charcoal starter. Never use charcoal starter fluid with an electric starter.		

	<b>WARNING</b>	
All surfaces can be hot during use. Use protection as required to prevent burning.		
Do not use this unit on or near combustible surfaces or structures such as wood decks, dry leaves or grass, vinyl or wood siding, etc.		

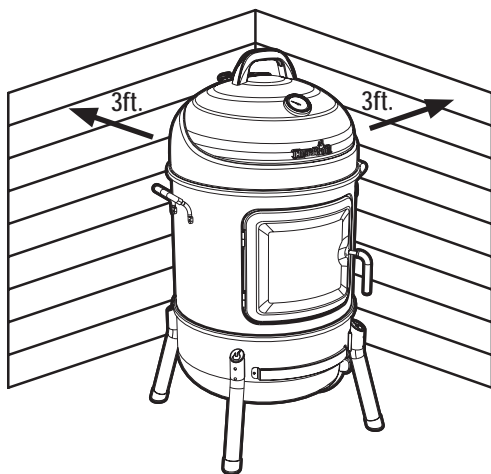
	<b>WARNING</b>	
<p>After a charcoal fire appears extinguished, unconsumed embers can retain heat for up to 24 hours, and if exposed to fresh air, can burst into flame unexpectedly. Any such embers outside the firebox of the grill pose a fire hazard and can ignite combustible surfaces such as wooden decks.</p>		

	<b>WARNING</b>	
<p>FAILURE TO READ AND FOLLOW INSTRUCTIONS FOR LIGHTING CHARCOAL MAY RESULT IN SERIOUS PERSONAL INJURY AND OR PROPERTY DAMAGE.</p> <p>ALWAYS USE CAUTION WHEN HANDLING HOT COALS TO PREVENT INJURY.</p> <p>ALWAYS LIGHT THE FIRE WITH THE LID AND SMOKE CHAMBER REMOVED.</p>		

	<b>CAUTION</b>	
<p>For residential use only. Do not use for commercial cooking.</p>		

	<b>CAUTION</b>	
<p>Cooking grates and side handles are hot during use. Wait until the smoker has cooled down before removing the cooking grates and smoke chamber or use oven mitts to remove these components.</p>		

	<b>WARNING</b>	
<p>Use grill at least 3 ft. from any wall or surface. Maintain 10 ft. clearance to objects that can catch fire or sources of ignition such as pilot lights on water heaters, live electrical appliances, etc.</p> <p>Use grill only in well-ventilated space. <b>NEVER</b> use in enclosed space such as carport, garage, porch, covered patio, or under an overhead structure of any kind.</p>		



## PREPARING TO USE YOUR SMOKER

Before cooking with your smoker, the following steps should be closely followed to cure the finish and burn off the oils used in manufacturing. Failure to follow these steps may damage the finish and/or impart metallic flavors to your first foods.

1. Build a small fire on the charcoal grate using no more than 1.5lbs. of charcoal briquets.
2. Place Smoke Chamber and Lid assemblies on the Bottom Chamber.
3. Close the door and position the inlet damper to setting 2 or 3. This burn should be sustained for at least 2 hours. Then adjust the lower damper setting to 5.

## SMOKER MAINTENANCE

Frequency of clean up is determined by how often the smoker is used. Make sure coals are completely extinguished before cleaning inside of the unit. Thoroughly rinse with water and allow to air dry before using again. Wipe out the interior of the unit with a cloth or paper towels. When finished cooking, and the unit has adequately cooled, clean out all remaining ashes. Ashes collect and hold moisture, which can lead to premature rusting and decay. Periodically coating the interior surfaces with vegetable oil will aid in the protection of your unit. **NEVER PAINT THE INTERIOR OF THE UNIT.**

**Cooking Surface:** If a bristle brush is used to clean any of the cooking surfaces, ensure no loose bristles remain on cooking surfaces prior to smoking or grilling. It is not recommended to clean cooking surfaces while the unit is hot.

## COOKING TIPS

### Building Your Fire

1. Stack charcoal briquets or wood into a pyramid-shaped pile on top of the charcoal grate. We recommend no more than 1.5 lbs. (approximately 20 briquets) to start your fire, adding more as needed.
2. We do not recommend using charcoal lighter fluid. If using a chimney starter, electric starter, or other type of fire starter, light your fire according to the manufacturer's instructions.
3. Always light the fire with the smoke chamber and lid removed. Leave open until the briquets are fully lit. If using lighter fluid, failure to do this could trap fumes in the smoker and may result in a flash fire when the lid or door is opened.
4. Never add charcoal lighter fluid to hot or warm coals as flashbacks may occur causing injury.
5. You are ready to begin cooking when the pile of briquets ashes over and produces a red glow (approximately 12-15 minutes).
6. Depending on your cooking method, either leave the briquets in a pile or spread them evenly across the charcoal grate using long-handled poker.
7. Always use the smoker with the charcoal grate ring installed to avoid hot coals laying against the smoker walls.

The product represented in this product guide is produced in China.

## SMOKING AND SLOW COOKING

Remove the smoke chamber and lid from the firebowl and build your fire on top of the fire grate. Either charcoal or wood may be used, but wood is the recommended fuel for its rate of burn and the flavor it imparts to the food being cooked. Most seasoned hardwoods are good for smoking such as hickory, mesquite, pecan, oak, and many other fruit woods. Bark should be avoided or burned off first as it contains a high acid content and imparts an acrid flavor.

After allowing the fire to burn down, replace the smoke chamber and lid and control the temperature and smoke with the dampers located on the lid and firebowl. Smoke is contained within the chambers, which will reduce burn while imparting more smoke flavor. Do not operate the Smoker with temperatures exceeding 350 degrees in the smoker chamber. Place the food in the smoker chamber and monitor the temperature. A general rule of thumb for cooking is about 1 hour per pound for smoking large cuts of meat. Refer to a cook book for specific cuts of meat. Limit the number of times you open the smoker chamber door as this will allow heat to escape and extend the cooking time.

## SMOKING WITH WOOD CHIPS/WOOD CHUNKS

For a more robust smoke flavor while using charcoal briquettes or lump charcoal, try adding wood chips or several wood chunks to the fire. Wood chunks are available in a variety of natural flavors, and can be used alone or in addition to charcoal. As a general rule, any hardwood that bears a fruit or nut is suitable for cooking. However, different woods have very different tastes. Experiment with different woods to determine your personal favorite, and always use well-seasoned wood. Green or fresh-cut wood can turn food black, and tastes bitter.

### Our Recommendations:

**Chicken** - Alder, Apple, Hickory, Mesquite

**Beef** - Hickory, Mesquite, Oak

**Pork** - Fruitwoods, Hickory, Oak

**Lamb** - Fruitwoods, Mesquite

**Veal** - Fruitwoods, Grapevines

**Seafood** - Alder, Mesquite

**Vegetables** – Mesquite

## Food Safety

Food safety is a very important part of enjoying the outdoor cooking experience. To keep food safe from harmful bacteria, follow these four basic steps:

**Clean:** Wash hands, utensils, and surfaces with hot soapy water before and after handling raw meat.

**Separate:** Separate raw meats from ready-to-eat foods to avoid cross contamination. Use a clean platter and utensils when removing cooked foods.

**Cook:** Cook meat and poultry thoroughly to kill bacteria. Use a thermometer to ensure proper internal food temperatures.

**Chill:** Refrigerate prepared foods and leftovers promptly.

Cooking on your new grill is a hands-on experience, and it is recommended to remain outside with your grill while cooking. Grilling can be affected by many external conditions. In cold weather, you will need more heat to reach an ideal cooking temperature, and grilling may take longer. The meat's internal temperature and thickness can also affect cooking times. Cold and thicker meats will take longer to cook.

## Internal Meat Temperatures

Meat cooked on a grill often browns very fast on the outside. Therefore, use a meat thermometer to ensure it has reached safe internal temperatures.

USDA Recommended Safe Minimum Internal Temperatures	
Beef, Veal, Lamb, Steak, Roasts, & Whole Pork (with a 3 minute rest time)	145° F
Fish	145° F
Beef, Veal, Lamb, and Pork – Ground	160° F
Egg Dishes	160° F
Turkey, Chicken & Duck Whole, Pieces & Ground	165° F

Please refer to the USDA for complete, up-to-date information. Our internal temperature chart is based on USDA standards for meat doneness. Check it out at [www.isitdoneyet.gov](http://www.isitdoneyet.gov)

## LIMITED WARRANTY

This warranty only applies to units purchased from an authorized retailer. Manufacturer warrants to the **original consumer-purchaser** only that this product shall be free from defects in workmanship and materials after correct assembly and under normal and reasonable home use for the periods indicated below beginning on the date of purchase\*. The manufacturer reserves the right to require that defective parts be returned, postage and or freight pre-paid by the consumer for review and examination.

SCOPE OF COVERAGE	PERIOD OF COVERAGE	TYPE OF FAILURE COVERAGE
All Parts	1 year from date of purchase*	PERFORATION, MANUFACTURING, AND MATERIAL DEFECTS ONLY

**\*Note: A dated sales receipt WILL be required for warranty service.**

The original consumer-purchaser will be responsible for all shipping charges for parts replaced under the terms of this limited warranty. This limited warranty is applicable in the United States and Canada only, is only available to the original owner of the product and is not transferable. **Manufacturer requires proof of your date of purchase. Therefore, you should retain your sales slip or invoice.** Registering your product is not a substitute for proof of purchase and the manufacturer is not responsible for or required to retain proof of purchase records.

This limited warranty applies to the functionality of the product **ONLY** and does not cover cosmetic issues such as scratches, dents, corrosions or discoloring by heat, abrasive and chemical cleaners or any tools used in the assembly or installation of the appliance, surface rust, or the discoloration of stainless steel surfaces. Paint is not warranted and will require touch up. **RUST is not considered a manufacturing or materials defect.**

**This limited warranty will not reimburse you for the cost of any inconvenience, food, personal injury or property damage.**

### ITEMS MANUFACTURER WILL NOT PAY FOR:

- Shipping cost, standard or expedited, for warranty and replacement parts.
- Service calls to your home.
- Repairs when your product is used for other than normal, single-family household or residential use.
- Damage, failures, or operating difficulties resulting from accident, alteration, careless handling, misuse, abuse, fire, flood, acts of God, improper installation or maintenance, installation not in accordance with electrical or plumbing codes, or use of products not approved by the manufacturer.**
- Any food loss due to product failures or operating difficulties.**
- Replacement parts or repair labor costs for units operated outside the United States or Canada.
- Pickup and delivery of your product.
- Repairs to parts or systems resulting from unauthorized modifications made to the product.**
- The removal and/or reinstallation of your product.

### DISCLAIMER OF IMPLIED WARRANTIES and LIMITATION OF REMEDIES

Repair or replacement of defective parts is your exclusive remedy under the terms of this limited warranty. In the event of parts availability issues, the manufacturer reserves the right to substitute like or similar parts that are equally functional.

Manufacturer will not be responsible for any consequential or incidental damages arising from the breach of either this limited warranty or any applicable implied warranty, or for failure or damage resulting from acts of God, improper care and maintenance, grease fire, accident, alteration, replacement of parts by anyone other than Manufacturer, misuse, transportation, commercial use, abuse, hostile environments (inclement weather, acts of nature, animal tampering), improper installation or installation not in accordance with local codes or printed manufacturer instructions.

THIS LIMITED WARRANTY IS THE SOLE EXPRESS WARRANTY GIVEN BY THE MANUFACTURER. NO PRODUCT PERFORMANCE SPECIFICATION OR DESCRIPTION WHEREVER APPEARING IS WARRANTED BY MANUFACTURER EXCEPT TO THE EXTENT SET FORTH IN THIS LIMITED WARRANTY. ANY IMPLIED WARRANTY PROTECTION ARISING UNDER THE LAWS OF ANY STATE, INCLUDING IMPLIED WARRANTY OF MERCHANTABILITY OR FITNESS FOR A PARTICULAR PURPOSE OR USE, IS HEREBY LIMITED IN DURATION TO THE DURATION OF THIS LIMITED WARRANTY.

**Neither dealers nor the retail establishment selling this product has any authority to make any additional warranties or to promise remedies in addition to or inconsistent with those stated above.** Manufacturer's **maximum liability**, in any event, shall not exceed the purchase price of the product paid by the original consumer.

NOTE: Some states do not allow an exclusion or limitation of incidental or consequential damages, so some of the above limitations or exclusions may not apply to you. This limited warranty gives you specific legal rights as set forth herein. You may also have other rights which vary from state to state. In the state of California only, if refinishing or replacement of the product is not commercially practicable, the retailer selling this product or the Manufacturer will refund the purchase price paid for the product, less the amount directly attributable to use by the original consumer-purchaser prior to discovery of the nonconformity. In addition, in the state of California only, you may take the product to the retail establishment selling this product in order to obtain performance under this limited warranty.

**If you wish to obtain performance of any obligation under this limited warranty, you should write to:**

**Consumer Relations  
P. O. Box 1240  
Columbus, GA 31902-1240**

Consumer returns will not be accepted unless a valid Return Authorization is first acquired. Authorized returns are clearly marked on the outside of the package with an RA number and the package is shipped freight/postage pre-paid. Consumer returns that do not meet these standards will be refused.

## TABLE DES MATIÈRES

Informations relatives à la garantie.....	1
Consignes de sécurité.....	6-8
Garantie Limitée.....	9
Liste de Ferrures.....	14
Schéma des Pièces.....	15
Liste de Pièces.....	16
Assemblage.....	17-20
Fiche d'enregistrement.....	23

Ce manuel d'instructions renferme des renseignements importants pour vous aider à assembler l'appareil correctement et à l'utiliser en toute sécurité.

Respectez toutes les mises en garde et instructions lorsque vous utilisez l'appareil.

### INSTALLATEUR / ASSEMBLEUR:

Vous devez laisser le présent manuel au client.

### CLIENT:

Conservez ce manuel pour pouvoir le consulter ultérieurement.

### SYMBOLES DE SÉCURITÉ

Vous trouverez ci-dessous une explication de la signification de chaque symbole. Lisez et respectez toutes les consignes qui apparaissent partout dans le présent guide.

	<b>AVERTISSEMENT</b>	
<b>AVERTISSEMENT:</b> indique une situation potentiellement dangereuse qui, si elle n'est pas évitée, pourrait entraîner la mort ou des blessures graves.		

	<b>ATTENTION</b>	
<b>ATTENTION:</b> indique une situation potentiellement dangereuse ou une pratique à risque qui, si elle n'est pas évitée, pourrait entraîner des blessures mineures ou modérément graves.		

	<b>AVERTISSEMENT</b>	
<b>DANGER DE MONOXYDE DE CARBONE</b>		
La combustion de charbon de bois à l'intérieur peut causer la mort. Cela dégage du monoxyde de carbone, qui est un gaz inodore. <b>NE BRÛLEZ JAMAIS</b> de charbon à l'intérieur d'une maison, d'un véhicule ou d'une tente.		

	<b>ATTENTION</b>	
Certaines pièces peuvent présenter des bords coupants! Portez des gants de protection au besoin.		

## CET APPAREIL EST CONÇU POUR UN USAGE À L'EXTÉRIEUR UNIQUEMENT

	<b>AVERTISSEMENT</b>	
Omettre de suivre toutes les instructions du fabricant pourrait causer des blessures graves ou des dommages matériels.		

	<b>ATTENTION</b>	
Lisez et respectez toutes les consignes de sécurité, les instructions d'assemblage et les directives d'emploi et d'entretien avant d'essayer d'assembler cet appareil ou de l'utiliser pour la cuisson.		

	<b>AVERTISSEMENT</b>	
<b>PROPOSITION 65 DE CALIFORNIE</b>		
1. Les sous-produits de combustion libérés lors de l'utilisation de ce produit sont reconnus dans l'État de Californie comme étant susceptibles de causer le cancer, des anomalies congénitales, ou autres dangers relatifs à la reproduction.		
2. Ce produit contient des produits chimiques, y compris du plomb et des composés au plomb, reconnus dans l'État de Californie comme étant susceptibles de causer le cancer, des anomalies congénitales, ou autres dangers relatifs à la reproduction.		
<i>Lavez-vous les mains après avoir manipulé cet appareil.</i>		

	<b>AVERTISSEMENT</b>	
Le plateau à cendre doit être entièrement installé pendant l'utilisation. S'il n'est pas installé correctement, des braises chaudes pourraient tomber du gril.		

	<b>AVERTISSEMENT</b>	
La plupart des surfaces de cet appareil deviennent chaudes pendant l'utilisation. Soyez extrêmement prudent. Gardez les autres personnes à l'écart de l'appareil. Portez toujours des vêtements de protection pour éviter les blessures.		
Tenez les enfants et les animaux de compagnie à l'écart de l'appareil. Ne déplacez pas cet appareil pendant son fonctionnement.		
Ne remplacez jamais l'allume-feu liquide par de l'essence, du kérosène ou de l'alcool. Dans certains États, l'usage d'allume-feu liquide est interdit par la loi. Dans un tel cas, les allume-feu à base de cubes de paraffine peuvent être utilisés à la place de l'allume-feu liquide. N'utilisez jamais d'allume-feu liquide avec un allume-feu électrique.		

	<b>AVERTISSEMENT</b>	
Les surfaces peuvent devenir chaudes pendant l'utilisation de l'appareil. Portez des gants de cuisine pour vous protéger contre les brûlures.		
N'utilisez pas cet appareil sur ou près des surfaces et des matières combustibles telles que les terrasses en bois, les feuilles et les herbes sèches, les parements en vinyle ou en bois, etc.		

## AVERTISSEMENT

Après un feu de charbon de bois semble éteint, les braises non consommées peuvent retenir la chaleur pour un maximum de 24 heures, et si elle est exposée à l'air frais, peuvent s'enflammer de manière inattendue. Toutes ces braises en dehors de la chambre de combustion de la grille présentent un risque d'incendie et peuvent s'enflammer surfaces combustibles tels que les ponts en bois.

## AVERTISSEMENT

LE FAIT DE NE PAS LIRE ET RESPECTER LES INSTRUCTIONS POUR ALLUMER LE CHARBON PEUT ENTRAÎNER DE GRAVES BLESSURES, DES DOMMAGES MATÉRIELS OU LES DEUX.

SOYEZ TOUJOURS PRUDENT LORS DE LA MANIPULATION DE BRIQUETTES CHAUDES AFIN D'ÉVITER LES BLESSURES.

ENLEVEZ TOUJOURS LE COUVERCLE ET LA CHAMBRE DE FUMÉE AVANT D'ALLUMER LE FEU.

## ATTENTION

Pour utilisation domestique uniquement. Ne pas utiliser à des fins commerciales.

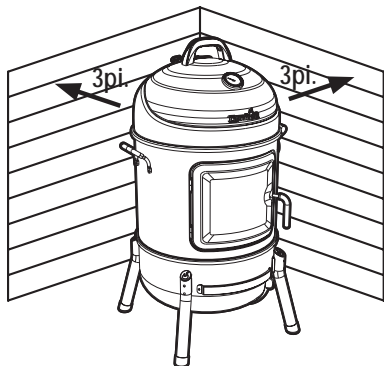
## ATTENTION

Poignées pour la grille de cuisson sont chaudes pendant l'utilisation. Attendez que le gril ait refroidi avant de retirer la grille de cuisson ou des gants afin retirer la grille de cuisson.

## AVERTISSEMENT

Installez le gril à au moins 3 pi des murs ou des surfaces. Maintenez un dégagement de 10 pi avec les objets qui peuvent s'enflammer ou les sources d'allumage telles que les veilleuses sur les chauffe-eau, les appareils électriques sous tension, etc.

N'utiliser l'appareil que dans un espace bien ventilé. NE JAMAIS l'utiliser dans un endroit fermé, par exemple un abri pour autos, un garage, un porche ou un patio couvert, ou sous une structure surélevée quelconque.



## PRÉPARATION DE VOTRE FUMOIR

Avant de cuisiner avec votre fumoir, vous devez suivre soigneusement les étapes suivantes pour apprêter le fini et brûler les huiles utilisées lors de la fabrication. L'omission de suivre ces étapes pourrait endommager le fini ou donner une saveur métallique à vos premiers aliments.

1. Montez un petit feu sur la grille à charbon en utilisant au plus 0.7 kg de briquettes de charbon.
2. Mettez les assemblages de la chambre de fumée et du couvercle sur la chambre inférieure.
3. Fermez la porte et mettez le registre d'entrée d'air sur la position 2 ou 3. Ce feu devrait durer pendant au moins 2 heures. Ensuite, ajustez le réglage du registre d'entrée d'air inférieur à 5.

## ENTRETIEN DE VOTRE FUMOIR

La fréquence du nettoyage dépend de la fréquence d'utilisation du fumoir. Assurez-vous que les briquettes sont complètement éteintes avant de nettoyer l'intérieur de l'appareil. Rincez-le abondamment à l'eau et laissez-le sécher à l'air avant de vous en servir à nouveau. Essuyez l'intérieur de l'appareil avec un chiffon ou avec des essuie-tout.

Lorsque la cuisson est terminée et que l'appareil a bien refroidi, enlevez toutes les cendres. Les cendres recueillent et absorbent l'humidité, ce qui peut faire rouiller et endommager votre appareil de façon précoce. Votre appareil sera mieux protégé si vous enduisez périodiquement les parois intérieures d'huile végétale. NE PEINTUREZ JAMAIS L'INTÉRIEUR DE L'APPAREIL.

**Surface de cuisson :** si vous utilisez une brosse à soies pour nettoyer les surfaces de cuisson, assurez-vous qu'aucune soie ne reste sur celles-ci avant le fumage ou le gril. Il n'est pas recommandé de nettoyer les surfaces de cuisson quand l'appareil est chaud.

## SUGGESTIONS POUR LA CUISSON

Préparation du feu

1. Faites une pile de briquettes de charbon ou de bois en forme de pyramide sur la grille à charbon de bois. Nous recommandons d'utiliser un maximum de 0.7 kg (environ 20 briquettes) pour démarrer votre feu et d'en rajouter au besoin. Nous ne recommandons pas l'utilisation de briquet à charbon de bois. Si vous utilisez un démarreur de cheminée, un démarreur électrique ou un autre type d'allume-feu, allumez votre feu conformément aux instructions du fabricant.
2. Enlevez toujours le couvercle et la chambre de fumée avant d'allumer le feu. Laissez le couvercle ouvert jusqu'à ce que les briquettes soient complètement allumées. L'omission de le faire pourrait emprisonner les émanations du liquide d'allumage dans le fumoir et provoquer un embrasement éclair lors de l'ouverture du couvercle.
3. N'ajoutez jamais de liquide d'allumage à charbon de bois sur des briquettes chaudes ou tièdes, car cela pourrait causer un retour de flammes et provoquer des blessures.
4. Vous êtes prêt à commencer la cuisson lorsque la pile de briquettes se couvre de cendres et produit une lueur rouge (environ 12 à 15 minutes).
5. Selon votre méthode de cuisson, vous pouvez laisser les briquettes en tas ou les étendre uniformément sur la grille à charbon de bois avec un tisonnier à long manche.
6. L'anneau de la grille à charbon de bois doit toujours être installé avant l'utilisation du fumoir, afin de vous assurer que les briquettes chaudes ne touchent pas aux parois.

Le produit représenté dans ce guide est fabriqué en Chine.

## FUMAGE ET CUISSON LENTE

Retirez la chambre de fumée et le couvercle du foyer et montez votre feu sur la grille du feu. Vous pouvez utiliser du charbon ou du bois, mais le bois est le combustible recommandé en raison de son taux de combustion et de la saveur qu'il confère aux aliments cuits. La plupart des bois durs secs conviennent au fumage, comme le caryer, le prosopis, le pacanier, le chêne et bon nombre d'autres bois d'arbres fruitiers. L'écorce devrait être évitée ou brûlée auparavant, car elle a une forte teneur en acide et confère une saveur âcre.

Après avoir laissé le feu baisser, remettez la chambre de fumée et le couvercle et contrôlez la température et la fumée au moyen des registres d'entrée d'air situés sur le couvercle et le foyer. La fumée reste dans les chambres, ce qui réduira la combustion tout en conférant une saveur de fumée plus intense. Ne faites pas fonctionner le fumoir avec des températures supérieures à 175 degrés dans le compartiment du fumoir. Mettez les aliments dans le fumoir et surveillez la température. Une règle générale pour la cuisson est d'environ 1 heure par livre pour les grosses coupes de viande. Consultez un livre de cuisine pour obtenir des instructions pour des coupes de viande spécifiques. Limitez le nombre de fois que vous ouvrez la porte du compartiment du fumoir, car cela permet à la chaleur de s'échapper et prolonge la durée de cuisson.

## FUMAGE AVEC DES COPEAUX OU DES MORCEAUX DE BOIS

Pour une saveur de fumée plus intense lorsque vous utilisez des briquettes de charbon ou des morceaux de charbon, essayez d'ajouter au feu des copeaux de bois ou plusieurs morceaux de bois. Des morceaux de bois sont offerts dans une gamme d'arômes naturels et ils peuvent être utilisés seuls ou en plus du charbon. En général, tout bois dur qui porte des fruits ou des noix convient à la cuisson. Toutefois, différents bois ont des saveurs très différentes. Essayez différents bois afin de déterminer celui que vous préférez, et utilisez toujours du bois bien sec. Le bois vert ou fraîchement coupé peut noircir les aliments et leur conférer une saveur amère.

### Nos recommandations :

**Poulet** – Aulne, pommier, caryer, prosopis  
**Bœuf** – Caryer, prosopis, chêne  
**Porc** – Bois d'arbres fruitiers, caryer, chêne  
**Agneau** – Bois d'arbres fruitiers, prosopis  
**Veau** – Bois d'arbres fruitiers, vignes  
**Fruits de mer** – Aulne, prosopis  
**Légumes** – Prosopis

## Sécurité alimentaire

La sécurité alimentaire est une partie très importante de l'expérience de cuisson en plein air. Pour protéger les aliments contre les bactéries nuisibles, suivez ces quatre étapes de base :

**Nettoyez** : lavez vos mains, les ustensiles et les surfaces avec de l'eau chaude savonneuse avant et après la manipulation de viande crue.

**Séparez** : séparez la viande crue des aliments prêts à manger pour éviter la contamination croisée. Utilisez un plateau et des ustensiles propres lorsque vous prenez les aliments cuits.

**Cuisez** : cuisez à fond la viande et la volaille pour tuer les bactéries. Utilisez un thermomètre pour vous assurer que les températures internes correctes sont atteintes.

**Refroidissez** : réfrigérez rapidement les aliments préparés et les restes.

La cuisson sur votre nouveau gril est une expérience pratique, et il est recommandé que vous restiez à l'extérieur près de votre gril pendant la cuisson. La cuisson au gril peut être affectée par bon nombre de conditions extérieures. Par temps froid, vous aurez besoin de davantage de chaleur pour atteindre une température de cuisson idéale, et la durée de la cuisson au gril pourrait être prolongée. La température interne et l'épaisseur de la viande peuvent également affecter les temps de cuisson. Les viandes froides ou plus épaisses mettront plus de temps à cuire.

## Températures internes de la viande

Souvent, l'extérieur de la viande cuite sur un gril brunit très rapidement. Il est donc préférable d'utiliser un thermomètre à viande pour vous assurer qu'une température interne sécuritaire est atteinte.

TEMPÉRATURES INTERNES MINIMALES RECOMMANDÉES PAR LE MINISTÈRE AMÉRICAIN DE L'AGRICULTURE (USDA)	
Boeuf, veau, agneau, steaks, rôtis et porc entier (AVEC UN DÉLAI D'ATTENTE DE TROIS MINUTES)	63° C
Poisson	63° C
Boeuf, veau, agneau et porc haché	71° C
Plats à base d'oeufs	71° C
Dinde, poulet et canard - en entier, en morceaux ou hachés	74° C

Des renseignements complets et à jour sont disponibles auprès de l'USDA. Notre tableau des températures internes est basé sur les normes de l'USDA pour la cuisson de la viande. Consultez-le à [www.isitdoneyet.gov](http://www.isitdoneyet.gov).



## GARANTIE LIMITÉE

La présente garantie n'est valide que pour les appareils achetés auprès d'un détaillant autorisé. Le fabricant garantit à l'acheteur initial, et uniquement celui-ci, que le produit est exempt de tout défaut de matériel et de main-d'œuvre, dans la mesure où il a été assemblé correctement, qu'il est utilisé de façon normale et raisonnable à des fins personnelles, et ce, pendant la durée de la période indiquée ci-dessous et commençant le jour de la date d'achat du produit\*. Le fabricant se réserve le droit de demander au client que les pièces défectueuses lui soient expédiées, port ou fret prépayé, pour fins d'examen.

Portée de la couverture	Période de couverture	Type de défaillances couvertes
Toutes les parties	1 an à compter de la date d'achat *	PERFORATION, DÉFAUTS DE FABRICATION ET DE MATÉRIEL UNIQUEMENT

\*Remarque : dans la mesure où le client inscrit le produit et fournit un exemplaire du reçu de caisse ou de la facture portant la date de l'achat, la période de couverture de la garantie sera étendue de façon à commencer à la date d'achat du produit.

**L'acheteur initial assume la responsabilité de l'ensemble des frais d'expédition pour le remplacement de pièces en vertu des modalités de la présente garantie limitée.**

Cette garantie limitée n'est valide qu'aux États-Unis et au Canada; elle n'est en vigueur que pour l'acheteur initial du produit et n'est pas transférable. **Le fabricant exigera une preuve de la date d'achat. Par conséquent, vous devez conserver votre reçu de caisse ou votre facture.** L'enregistrement du produit ne constitue pas une preuve d'achat. Il n'appartient pas au fabricant de tenir un dossier des achats des clients.

La présente garantie limitée vise UNIQUEMENT le fonctionnement du produit et elle ne touche donc pas les questions esthétiques, telles les égratignures, les bosses, la corrosion ou la décoloration causée par la chaleur, des nettoyants abrasifs ou chimiques, quelque outil que ce soit employé lors de l'assemblage ou de l'installation de l'appareil, la rouille en surface, ni la décoloration des surfaces en acier inoxydable. La peinture n'est pas garantie et requiert des retouches. **Rouille n'est pas considéré comme un matériel de fabrication ou de défaut.**

**La présente garantie limitée ne couvre pas le remboursement de frais associés à un inconfort, à une perte de nourriture, à des blessures personnelles ou au bris de biens matériels.**

### ÉLÉMENTS NON REMBOURSÉS PAR LE FABRICANT :

1. Frais d'expédition, service régulier ou accéléré, tant pour une pièce couverte par la garantie que pour une pièce de rechange.
2. Visite d'un réparateur à votre domicile.
3. Les réparations lorsque le produit est employé à des fins autres qu'un usage normal résidentiel pour une seule famille.
4. Des dommages, des défaillances ou des difficultés de fonctionnement découlant d'un accident, d'une modification, d'une manipulation négligente, d'une mauvaise utilisation, d'un usage abusif, d'un incendie, d'une inondation, d'une catastrophe naturelle, d'une installation ou d'un entretien inadéquats, d'un montage non conforme aux codes de l'électricité et de plomberie en vigueur, ou de l'utilisation de produits non approuvés par le fabricant.
5. Toute perte de nourriture causée par une défaillance du produit ou des difficultés de fonctionnement.
6. Les pièces de rechange ou les coûts de la main-d'œuvre pour un appareil ayant fonctionné hors des États-Unis ou du Canada.
7. Le ramassage et la livraison du produit.
8. La réparation de pièces ou de systèmes suite à des modifications non autorisées apportées au produit.
9. Le démontage ou la réinstallation de l'appareil.

### STIPULATION D'EXONÉRATION DE GARANTIES et LIMITATION DES RECOURS

La réparation ou le remplacement d'une pièce défectueuse constitue votre seul recours en vertu des modalités de la présente garantie limitée. En cas de problèmes de disponibilité des pièces, le constructeur se réserve le droit de remplacer des pièces similaires qui sont également fonctionnels. Le fabricant n'assume aucune responsabilité pour tout dommage consécutif ou accessoire découlant d'une violation soit de la présente garantie soit de toute autre garantie tacite, ou pour une défaillance ou des dommages résultant d'une calamité naturelle, d'un entretien inadéquat, d'un incendie de graisse, d'un accident, d'une modification apportée à l'appareil, du remplacement de pièces par une personne autre que le fabricant, d'un mauvais usage, du transport, d'une utilisation commerciale, d'un usage abusif, de la présence d'environnements hostiles (temps non clément, catastrophes naturelles, altération par les animaux), d'une installation inadéquate ou non conforme aux codes locaux, ou des instructions imprimées du fabricant.

LA PRÉSENTE GARANTIE LIMITÉE CONSTITUE L'UNIQUE GARANTIE EXPLICITE ÉMISE PAR LE FABRICANT. LE FABRICANT NE FORMULE AUCUNE DÉCLARATION NI DESCRIPTION DE RENDEMENT ASSOCIÉE AU PRODUIT, PEU IMPORTE OÙ CELLE-CI POURRAIT FIGURER, SAUF DANS LES ÉNONCÉS DE LA PRÉSENTE GARANTIE LIMITÉE. TOUTE PROTECTION DE GARANTIE TACITE DÉCOULANT DES LOIS D'UN ÉTAT OU D'UNE PROVINCE, Y COMPRIS LES GARANTIES IMPLICITES DE QUALITÉ MARCHANDE OU D'ADAPTATION À UN USAGE OU OBJECTIF PARTICULIER., SE LIMITE À LA DURÉE DE LA PRÉSENTE GARANTIE LIMITÉE.

Ni les représentants commerciaux ni les détaillants vendant l'appareil n'ont l'autorisation de produire une garantie supplémentaire ni de promettre des recours s'ajoutant à ceux mentionnés ci-dessus, qu'ils soient ou non compatibles avec ceux-ci. Dans tous les cas, la responsabilité maximale du fabricant ne pourra dépasser le prix d'achat de l'appareil payé par l'acheteur initial.

REMARQUE : certains États ou certaines provinces n'autorisent pas les exclusions ou les restrictions de dommages consécutifs ou accessoires, de sorte qu'il est possible que certaines des restrictions ou exclusions ci-dessus ne s'appliquent pas à vous. La présente garantie limitée vous donne des droits juridiques spécifiques qui sont exposés aux présentes. Il est possible que vous disposiez d'autres droits qui peuvent varier d'un État et d'une province à l'autre. Dans l'État de Californie uniquement, si la remise en état ou le remplacement du produit n'est pas commercialement possible, le détaillant ayant vendu l'appareil ou le fabricant rembourseront le montant payé par l'acheteur, et déduiront une somme directement proportionnelle à l'utilisation par l'acheteur initial avant la découverte de la non-conformité. De plus, dans l'état de Californie uniquement, vous pouvez rapporter l'appareil au détaillant qui vous a vendu le produit afin de bénéficier des privilèges que vous donne la présente garantie limitée.

Si vous désirez qu'une obligation, quelle qu'elle soit, soit exécutée en vertu de la présente garantie limitée, vous devez écrire à :

Consumer Relations  
P. O. Box 1240  
Columbus, GA 31902-1240

Les retours de marchandise des clients ne seront acceptés que si une autorisation de retour (Return Authorization) valide a été obtenue au préalable. Les retours autorisés doivent être clairement identifiés par leur numéro sur l'extérieur de l'emballage. De plus, le fret ou les frais d'expédition doivent être prépayés. Tout retour de marchandise d'un client qui ne satisfait pas à ces critères sera refusé.

## ÍNDICE

Información de inscripción de la garantía.....	1
Advertencias de Seguridad .....	10-12
Garantía Limitada.....	13
Lista de Herrajes .....	14
Diagrama de piezas.....	15
Lista de piezas.....	16
Ensamblado.....	17-20
Tarjeta de inscripción.....	23

Este manual de instrucciones contiene información importante, necesaria para armar el aparato adecuadamente y usarlo de manera segura.

Cuando use el aparato, siga todas las advertencias y las instrucciones.

### A LA PERSONA QUE INSTALE O ARME ESTA PARRILLA:

Deje este manual al cliente.

### AL CONSUMIDOR:

Conserve este manual para que lo pueda consultar en el futuro.

### SÍMBOLOS DE SEGURIDAD

Los símbolos y las casillas ilustradas más adelante explican lo que significa cada encabezado. Lea y cumpla todo lo indicado en los mensajes que se encuentran en el manual.



## ADVERTENCIA

**ADVERTENCIA:** Indica una situación potencialmente peligrosa que, de no evitarse, podría causar la muerte o lesiones graves.



## ADVERTENCIA

**ADVERTENCIA:** Indica una situación potencialmente peligrosa o una práctica insegura que, de no evitarse, podría causar lesiones leves o menores.



## ADVERTENCIA

### PELIGRO DE MONÓXIDO DE CARBONO

La combustión de carbón en interiores puede ser fatal. Despide monóxido de carbono, que es inodoro. NUNCA quemé carbón dentro de las casas, de los vehículos ni de las carpas.



## ADVERTENCIA

Ciertas partes pueden tener bordes afilados. Si es necesario, use guantes protectores.

## ESTA PARRILLA SOLO SE PUEDE USAR EN EXTERIORES.



## ADVERTENCIA



El no cumplir con todas las instrucciones del fabricante puede ocasionar lesiones graves y/o daños materiales.



## ADVERTENCIA



Antes de empezar a armar la parrilla y cocinar, lea y siga todas las indicaciones de seguridad, las instrucciones de armado y las instrucciones de uso y mantenimiento.



## ADVERTENCIA



### PROPOSITION 65 DEL ESTADO DE CALIFORNIA

1. En el estado de California se sabe que los subproductos de la combustión en este aparato, contienen sustancias químicas que causan cáncer, defectos congénitos u otras lesiones al aparato reproductor.
2. Este producto contiene sustancias químicas como el plomo y sus compuestos que, en el estado de California, se sabe que causan cáncer, defectos congénitos u otras lesiones al aparato reproductor.

*Lávese las manos después de manipular este producto.*



## ADVERTENCIA



La bandeja de recolección de cenizas debe estar totalmente instalada durante la operación. Si no se instala correctamente, brasas calientes podrían caer de la parrilla.



## ADVERTENCIA



La mayoría de las superficies de esta unidad están calientes cuando está en uso. Sea sumamente cuidadoso. No deje que las demás personas se acerquen a la unidad. Use siempre ropa protectora para evitar lesionarse.

No deje a los niños ni a las mascotas acercarse a la unidad.

No la mueva mientras esté en uso.

Nunca use gasolina, queroseno ni alcohol para encender el carbón. En algunos estados, la ley prohíbe el uso de líquido para encender carbón. En estos casos, puede usar cubos a base de parafina en lugar del líquido para encender carbón. Nunca use líquido para encender carbón con un encendedor eléctrico.



## ADVERTENCIA



Todas las superficies pueden estar calientes durante el uso. Protéjase debidamente para no sufrir quemaduras.

No use esta unidad en superficies ni en estructuras combustibles, ni cerca de ellas, tales como terrazas de madera, hojas o césped secos, revestimientos de vinilo o de madera, etc.

## ADVERTENCIA

Después de un fuego de carbón parece extinguirse, brasas consumidas pueden retener el calor durante un máximo de 24 horas, y si se expone al aire libre, pueden estallar en llamas inesperadamente. Cualquier brasa fuera de la caja de fuego de la parrilla representan un peligro de incendio y pueden encender superficies combustibles tales como terrazas de madera.

## ADVERTENCIA

EL NO LEER Y SEGUIR LAS INSTRUCCIONES PARA ENCENDER EL CARBÓN, PUEDE OCASIONAR LESIONES GRAVES Y DAÑOS MATERIALES.

PARA EVITAR LESIONES, MANIPULE SIEMPRE CON PRECAUCIÓN LOS CARBONES CALIENTES.

SIEMPRE ENCIENDA EL FUEGO CON LA TAPA Y LA CÁMARA DE AHUMADO RETIRADAS.

## ADVERTENCIA

Sólo para uso particular. No la use para fines comerciales.

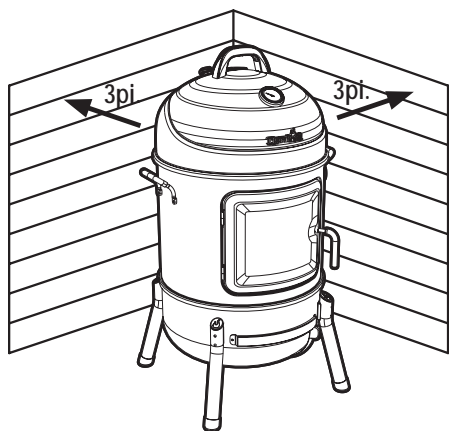
## ADVERTENCIA

Las asas la rejilla de cocción están calientes durante el uso. Espere hasta que la parrilla se enfríe antes de retirar la rejilla de cocción o guantes para hornear para de retirar la rejilla de cocción.

## ADVERTENCIA

Use la parrilla al menos a 3 pies de cualquier pared o superficie. Mantenga un espacio libre de 10 pies de objetos que pudieran incendiarse o fuentes de ignición como luces de piloto en calentadores de agua, artefactos eléctricos activos, etc.

Utilice la parrilla solo en un espacio bien ventilado. **NUNCA** la use en lugares cerrados como un estacionamiento, garaje, porche, patio cubierto o bajo una estructura superior de cualquier tipo.



## PREPARACIÓN PARA UTILIZAR SU AHUMADOR

Antes de cocinar con el ahumador, deben seguirse cuidadosamente los siguientes pasos para el curado, acabado y quemado de los aceites utilizados en la fabricación. No seguir estos pasos puede dañar el acabado y/o impartir sabores metálicos a sus primeras comidas.

1. Establezca un pequeño fuego en la parrilla de carbón usando no más de 1.5 libras de briquetas de carbón.
2. Coloque los conjuntos de la cámara de ahumado y la tapa en la cámara inferior.
3. Cierre la puerta y coloque el regulador de la entrada en la posición 2 o 3. Este fuego debe mantenerse durante al menos 2 horas. Ajuste la configuración de regulador inferior a 5.

## MANTENIMIENTO DEL AHUMADOR

La frecuencia de limpieza depende de qué tanto se utiliza el ahumador. Asegúrese de que los carbones estén totalmente extintos antes de limpiar el interior de la unidad. Enjuague meticulosamente con agua y seque al aire antes de volver a usar. Limpie el interior de la unidad con un paño o papel toalla.

Cuando termine de cocinar, y la unidad se haya enfriado adecuadamente, limpie y retire todas las cenizas restantes. Las cenizas absorben y retienen la humedad, lo que puede conducir a una oxidación y desgaste prematuros. Recubrir periódicamente las superficies interiores con aceite vegetal ayudará a proteger su unidad. **NUNCA PINTE EL INTERIOR DE LA UNIDAD.**

**Superficie de cocción:** Si usa un cepillo con cerdas para limpiar cualquiera de las superficies de cocción, asegúrese que no queden cerdas sueltas en las superficies de cocción antes de cocinar o ahumar los alimentos. No se recomienda limpiar las superficies de cocción cuando la unidad esté caliente.

## CONSEJOS DE COCINA

Alimentando el fuego

1. Apile las briquetas de carbón o madera en una pila en forma de pirámide en la parte superior de la bandeja de carbón. Recomendamos no usar más de 1.5 lb. (aproximadamente 20 briquetas) para iniciar el fuego, agregue más según sea necesario.
2. No recomendamos el uso de un encendedor de carbón líquido. Si utiliza un arrancador de chimenea, un arrancador eléctrico u otro tipo de arrancador de fuego, encienda su fuego de acuerdo con las instrucciones del fabricante.
3. Siempre encienda el fuego con la cámara de ahumado y la tapa retiradas. Déjelas abiertas hasta que las briquetas se hayan encendido por completo. No hacerlo podría atrapar los vapores del líquido de encendido en el ahumador y resultar en un incendio cuando se abre la tapa o la puerta.
4. Nunca agregue líquido encendedor de carbón vegetal a carbón caliente o tibio ya que el retroceso de la llama podría generar lesiones.
5. Estará listo para empezar a cocinar cuando la pila de briquetas comience a soltar cenizas y produzca un resplandor de color rojo (aproximadamente en 12 a 15 minutos).
6. Dependiendo del método de cocción, deje las briquetas en una pila o repártalas uniformemente en la parrilla de carbón utilizando un atizador de mango largo.
7. Siempre use el ahumador con el anillo de la parrilla de carbón instalado para evitar que las brasas se coloquen poniendo contra las paredes del ahumador.

El producto representado en esta guía es producido en China.

## AHUMADO Y COCCIÓN A FUEGO LENTO

Retire la cámara de ahumado y la tapa de la cámara de combustión y atice el fuego en la parte superior de la parrilla. Puede usarse carbón o madera, pero la madera es el combustible recomendado por su índice de combustión y por el sabor que les proporciona a los alimentos que se cocinan. Las maderas duras más añejas son buenas para el ahumado, como por ejemplo el nogal americano, mezquite, pacano, roble y muchas otras maderas frutales. Debe evitarse la corteza o quemarse primero pues contiene un alto contenido en ácido e imparte un sabor acre.

Después de dejar que el fuego se extinga, vuelva a colocar la cámara de ahumado y la tapa, y controle la temperatura y el humo con los reguladores ubicados en la tapa y la cámara de combustión. El humo queda contenido dentro de las cámaras, ello reducirá el fuego mientras imparte un mayor sabor ahumado. No opere el ahumador con temperaturas superiores a los 350 grados en la cámara de ahumado. Coloque los alimentos en la cámara de ahumado y controle la temperatura. Una regla general es cocinar alrededor de 1 hora por libra para ahumar grandes cortes de carne. Consulte un libro de cocina para ver los cortes específicos de carne. Limite el número de veces que abre la puerta del ahumador ya que esto deja que el calor escape y extiende el tiempo de cocción.

## FUMAR CON CHIPS DE MADERA / MADERA

Para un sabor de humo más robusto al usar briquetas de carbón carbón a granel, intente agregar astillas de madera o varios trozos de madera a el fuego. Los trozos de madera están disponibles en una variedad de sabores naturales, y puede usarse solo o además de carbón. Como un regla general, cualquier madera dura que lleva una fruta o nuez es adecuada para cocina. Sin embargo, diferentes maderas tienen gustos muy diferentes. Experimenta con diferentes maderas para determinar tu personal favorito, y siempre use madera bien sazonada. Verde La madera recién cortada puede volverse negra y tener un sabor amargo.

### Nuestras recomendaciones son:

**Pollo:** aliso, manzano, nogal americano, mezquite

**Res:** nogal americano, mezquite, roble

**Cerdo:** árboles frutales, nogal americano, roble

**Cordero:** árboles frutales, mezquite

**Ternera:** árboles frutales, vides

**Pescados y mariscos:** aliso, mezquite

**Verduras:** mezquite

## Seguridad de los alimentos

La seguridad de los alimentos es una parte muy importante de disfrutar de la experiencia de cocinar al aire libre. Para mantener los alimentos seguros de bacterias dañinas, siga estos cuatro pasos básicos:

**Limpiar:** Lávese las manos, los utensilios y las superficies con agua jabonosa caliente antes y después de manipular carne cruda.

**Separar:** Separe las carnes crudas de los alimentos listos para comer para evitar contaminaciones cruzadas. Utilice un plato limpio cuando retire los alimentos cocidos.

**Cocinar:** Cocine bien las carnes rojas y las carnes blancas para matar las bacterias. Use un termómetro para asegurar las temperaturas internas adecuadas de los alimentos.

**Enfriar:** Refrigere los alimentos preparados y las sobras de inmediato.

Cocinar en su nueva parrilla es una experiencia práctica, y se recomienda permanecer en exteriores con su parrilla durante la cocción. El asado en la parrilla puede verse afectado por muchas condiciones externas. En climas fríos, necesitará más calor para llegar a una temperatura ideal de cocción y el asado podría tomar más tiempo. La temperatura interna y el grosor de la carne también pueden afectar los tiempos de cocción. Las carnes frías y más gruesas requerirán de un mayor tiempo para cocinarse.

## Temperaturas internas de la carne

La carne cocinada en una parrilla a menudo se dora muy rápido en el exterior. Por lo tanto, utilice un termómetro para carnes para asegurarse de que haya alcanzado temperaturas internas seguras.

USDA Temperaturas Internas Mínimas Seguras Recomendadas	
Carne de vaca, Ternera, Cordero, Filetes, Asado, y Lomo de Cerdo (con 3 minutos de reposo)	145° F
Pescado	145° F
Carne, Ternera, Cordero, y Cerdo - Molido	160° F
Platos de Huevo	160° F
Turquía, Pollo y Pato Entero, Pedazos y Tierra	165° F

Póngase en contacto con la USDA para obtener información completa y actualizada. Nuestro cuadro de temperatura interna se basa en estándares de la USDA para la cocción de la carne. Revíselo en [www.isitdoneyet.gov](http://www.isitdoneyet.gov)

## GARANTÍA LIMITADA

Esta garantía es válida únicamente para las unidades adquiridas de los distribuidores autorizados. El fabricante le garantiza únicamente al **consumidor/comprador original**, que este producto no presentará defectos de mano de obra ni de materiales por el período indicado a continuación, contado desde la fecha de compra\*, si se arma correctamente y se usa en el hogar, en condiciones normales y razonables. El fabricante se reserva el derecho de exigir la devolución de las piezas defectuosas, enviadas con el porte o el flete pagado por el consumidor, para ser revisadas y examinadas.

ALCANCE DE LA COBERTURA	PLAZO DE COBERTURA	TIPO DE FALLA AMPARADA
Todas las piezas	1 Año de fecha de compra *	SOLO DEFECTOS DE PERFORACIÓN, DE FABRICACIÓN Y DE MATERIALES

\*Nota: A fecha de recibo de compra serán necesarios para el servicio de garantía.

Son de responsabilidad del consumidor-comprador original todos los gastos de envío de las piezas cambiadas en virtud de las condiciones de esta garantía limitada.

Esta garantía limitada es válida únicamente en Estados Unidos y en Canadá, se ofrece únicamente al propietario original del producto y es intransferible. El fabricante exige la presentación de evidencia de la fecha de la compra. Por tanto, debe conservar el recibo o la factura de la compra. La inscripción del producto no reemplaza al comprobante de compra, y el fabricante no se hace responsable ni está obligado a llevar un registro de dichos comprobantes.

Esta garantía limitada atañe ÚNICAMENTE al funcionamiento del producto y no ampara rayones, abolladuras, corrosión ni decoloración ocasionada por el calor, los productos de limpieza abrasivos y químicos, ni por las herramientas usadas en el armado o en la instalación del aparato, oxidación de las superficies ni decoloración de las superficies de acero inoxidable. La pintura no esta garantizada y requiera retoques. RUST no se considera una de fabricación o materiales defecto.

Esta garantía limitada no ampara el costo en el que se incurra por inconvenientes, alimentos, lesiones ni daños a la propiedad.

### EL FABRICANTE NO PAGARÁ LOS SIGUIENTES RUBROS:

1. El costo de envío normal o acelerado de piezas y repuestos amparados por la garantía.
2. Las llamadas de servicio técnico a domicilio.
3. Reparaciones de productos que hayan sido usados para fines distintos a los normales, en casas de más de una familia o no domésticos.
4. Daños, fallas, o dificultades para hacerlo funcionar, ocasionadas por accidentes, modificaciones, manipulación descuidada, uso indebido, abuso, incendio, inundación, casos fortuitos, instalación o mantenimiento inadecuados o que no se realicen de conformidad con las disposiciones de los códigos de instalaciones eléctricas o sanitarias, o uso de productos no autorizados por el fabricante.
5. Pérdida de alimentos debidos a fallas del producto o a la dificultad para hacerlo funcionar.
6. El costo de las piezas de repuesto ni de la mano de obra para la reparación de unidades instaladas fuera de Estados Unidos o de Canadá.
7. La recogida y el envío de su producto.
8. Las reparaciones de piezas o de sistemas que hayan sufrido daños por alteraciones no autorizadas hechas en el producto.
9. La remoción y/o la reinstalación de su producto.

### ESTIPULACIONES DE EXONERACIÓN DE GARANTÍAS IMPLÍCITAS; LIMITACIÓN DE LOS RECURSOS

El único recurso del que usted dispone en virtud de esta garantía limitada es la reparación o el cambio de las piezas defectuosas. En cas de problèmes de disponibilité des pièces, le constructeur se réserve le droit de remplacer des pièces similaires qui sont également fonctionnels. El fabricante no será responsable por ningún tipo de daño accesorio o indirecto ocasionado por el incumplimiento de lo estipulado ya sea en esta garantía limitada o en alguna garantía implícita pertinente, ni por las fallas o los daños ocasionados por actos fortuitos, cuidado y mantenimiento inadecuados, fuego provocado por la grasa, accidentes, modificaciones, cambio de piezas por cualquier persona que no sea el fabricante, uso indebido, transporte, uso con fines comerciales, abuso, ambientes hostiles (condiciones inclementes del tiempo, fenómenos naturales, acción de los animales), instalación inadecuada o instalación que no se realice de conformidad con las disposiciones de los códigos locales o las instrucciones impresas del fabricante.

ESTA GARANTÍA LIMITADA ES LA ÚNICA GARANTÍA EXPLÍCITA OFRECIDA POR EL FABRICANTE. EL FABRICANTE NO GARANTIZA NINGUNA ESPECIFICACIÓN O DESCRIPCIÓN DE RENDIMIENTO DEL PRODUCTO, INDEPENDIEMENTE DEL LUGAR DONDE APAREZCAN, SALVO EN LA MEDIDA SEÑALADA EN ESTA GARANTÍA LIMITADA. POR EL PRESENTE, EL PLAZO DE VIGENCIA DE LA PROTECCIÓN QUE OTORGAN LAS GARANTÍAS IMPLÍCITAS, EN VIRTUD DE LAS LEYES DE CUALQUIER ESTADO, INCLUYENDO LA GARANTÍA IMPLÍCITA ACERCA DE LA IDONEIDAD DEL PRODUCTO PARA SU COMERCIALIZACIÓN O PARA ALGÚN PROPÓSITO DETERMINADO, QUEDA LIMITADO AL PLAZO DE VIGENCIA DE ESTA GARANTÍA LIMITADA.

Ni los distribuidores, ni el negocio minorista que vende este producto, están autorizados para ofrecer ninguna garantía ni para prometer recursos adicionales o incongruentes con los arriba indicados. En todo caso, el límite máximo de responsabilidad del fabricante no será mayor que el precio de compra pagado por el consumidor original.

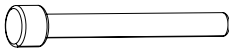
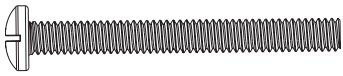
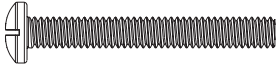
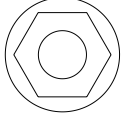
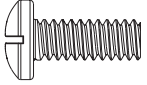

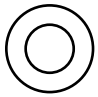
NOTA: Algunos estados no permiten la exclusión ni la limitación de daños accesorios o indirectos, de manera que es posible que las limitaciones o exclusiones arriba señaladas no correspondan en su caso. Esta garantía le otorga derechos específicos, señalados aquí. Es posible que usted tenga otros derechos que pueden variar de un estado a otro. Sólo en el estado de California, en el caso en que no sea comercialmente viable reparar o cambiar el acabado del producto, el minorista que vende este producto o el fabricante le reembolsarán el precio de compra pagado por el mismo, menos la cantidad directamente atribuible al uso dado por el consumidor-comprador original, antes de haber descubierto la falla. Además, y únicamente en el estado de California, usted podrá llevar el producto al negocio minorista que venda este producto para solicitar servicios en virtud de esta garantía limitada.

Si desea obtener algún servicio en virtud de esta garantía limitada, debe dirigir su correspondencia a:

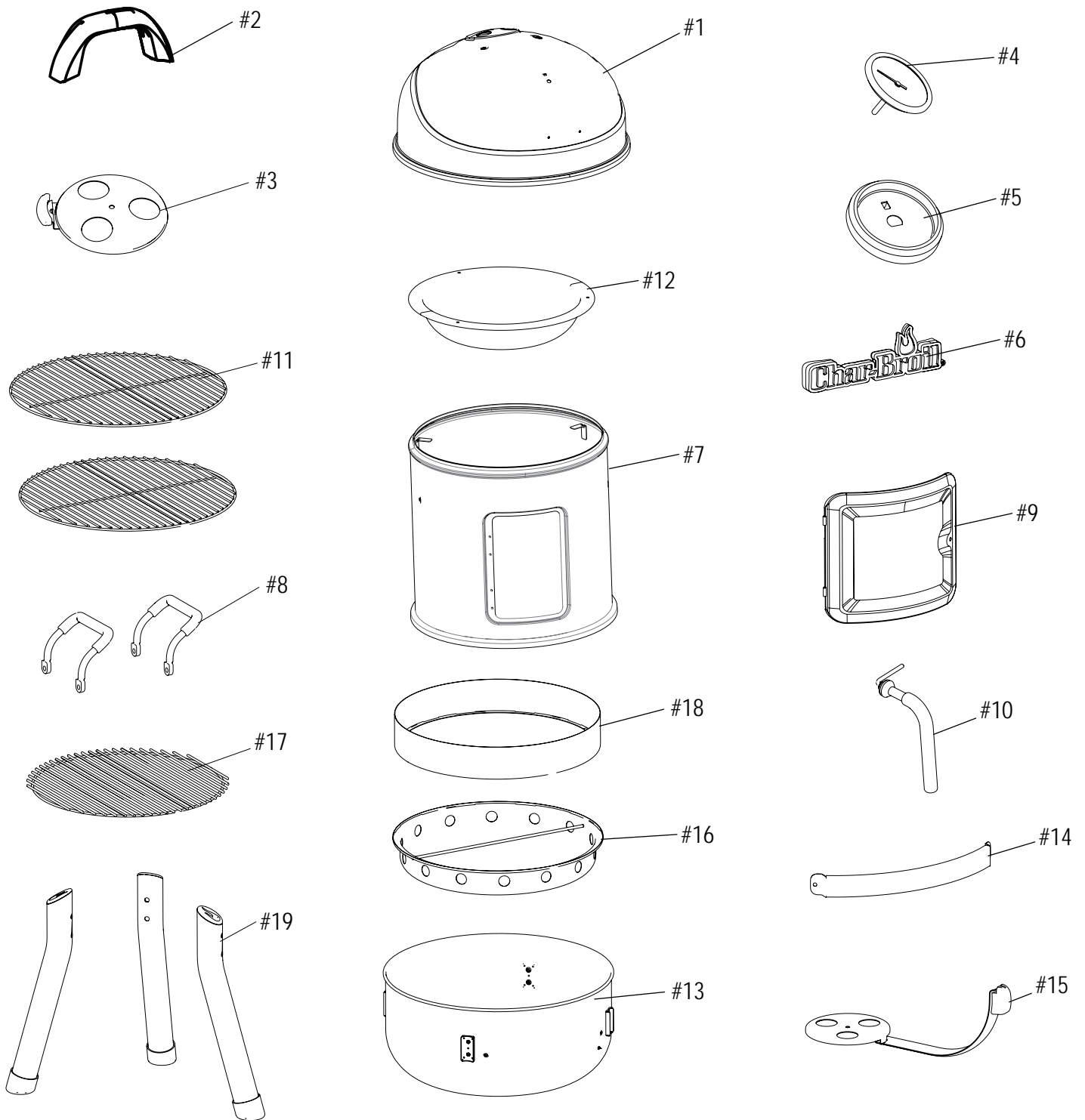
Consumer Relations  
P. O. Box 1240  
Columbus, GA 31902-1240

No se aceptarán las devoluciones por parte del consumidor a menos que haya obtenido primero una autorización válida de devolución. Debe rotular de manera legible la parte exterior del paquete de devolución autorizada con su número de autorización de devolución y remitir dicho paquete con el flete o el porte pagado. Se rechazará toda devolución del consumidor que no cumpla con las reglas anteriores.

# HARDWARE LIST / LISTE DES FERRURES / LISTA DE HERRAJES

Key/Réf./Clave	Description/Description/Description	Picture/Illustré/iustrá	Qty/Qté/Cant
A	Hinge Pin Fiche Pasador de articulación		2
B	1/4-20x3" Machine Screw Vis ¼-20x3 po Tornillo de 1/4 -20 x 3"		3
C	1/4-20x2" Machine Screw Vis ¼-20x2 po Tornillo de 1/4 -20 x 2"		3
D	1/4-20 Flange Nut Écrou à embase ¼ po-20 Tuerca con brida de 1/4 -20		6
E	10-24 x 1/2" Screw Vis 1/2 po-24 Tornillo de 10-24 x 1/2"		4
F	#10-24 Flange Nut Écrou à embase n° 10-24 Tuerca con brid No. 10-24		4
G	Flat Washer Rondelle plate Arandela plana		10

**PARTS DIAGRAM/ SCHÉMA DES PIÈCES/ VISTA ESQUEMÁTICA DE PIEZAS**



NOTE: Some grill parts shown in the assembly steps may differ slightly in appearance from those on your particular grill model. However, the method of assembly remains the same.

## PARTS LIST

Key	Qty	Description
1	1	LID
2	1	HANDLE, F/ LID
3	1	DAMPER ASSY, F/ LID
4	1	TEMPERATURE GAUGE
5	1	BEZEL, F/ TEMPERATURE GAUGE
6	1	LOGO PLATE
7	1	COOKING CHAMBER
8	2	SIDE LIFT HANDLE
9	1	ACCESS DOOR
10	1	DOOR HANDLE
11	2	COOKING GRATE
12	1	WATER PAN
13	1	BOTTOM CHAMBER
14	1	DAMPER CONTROL BRACKET
15	1	DAMPER ASSY, F/ BOTTOM
16	1	ASH PAN
17	1	CHARCOAL GRATE
18	1	GRATE RING
19	3	LEG ASSEMBLY

### NOT Pictured

...	1	HARDWARE PACK
...	1	PRODUCT GUIDE, ENGLISH, FRENCH, SPANISH

## LISTE DES PIÈCES

Clé	Qté	Description
1	1	COUVERCLE
2	1	POIGNÉE DU COUVERCLE
3	1	ASSEMBLAGE DU REGISTRE D'ENTRÉE D'AIR DU COUVERCLE
4	1	SONDE DE TEMPÉRATURE
5	1	COLLERETTE POUR SONDE DE TEMPÉRATURE
6	1	PLAQUE DE LOGO
7	1	CHAMBRE DE CUISSON
8	2	POIGNÉE DE LEVAGE LATÉRALE
9	1	PORTE D'ACCÈS
10	1	POIGNÉE DE PORTE
11	2	GRILLE DE CUISSON
12	1	CUVETTE D'EAU
13	1	CHAMBRE INFÉRIEURE
14	1	SUPPORT DE CONTRÔLE DE L'ENTRÉE D'AIR
15	1	ASSEMBLAGE D'ENTRÉE D'AIR DU DESSOUS
16	1	PANIER À BRAISE

## LISTA DE PARTES

Clave	Cant.	Descripción
1	1	TAPA
2	1	MANIJA P/ TAPA
3	1	CONJUNTO REGULADOR, P/ TAPA
4	1	INDICADOR DE TEMPERATURA
5	1	BISEL, P/INDICADOR DE TEMPERATURA
6	1	PLACA DEL LOGOTIPO
7	1	CÁMARA DE COCCIÓN
8	2	MANIJA DE ELEVACIÓN LATERAL
9	1	PUERTA DE ACCESO
10	1	MANIJA DE LA PUERTA
11	2	PARRILLAS DE COCCIÓN
12	1	BANDEJA DE AGUA
13	1	CÁMARA INFERIOR
14	1	SOPORTE DE CONTROL DEL REGULADOR
15	1	CONJUNTO REGULADOR, P/ PARTE INFERIOR
16	1	BANDEJA DE CENIZA
17	1	PARRILLA DE CARBÓN
18	1	ANILLO DE LA PARRILLA
19	3	CONJUNTO DE LAS PATAS

### NO se incluyen en la imagen

...	1	PAQUETE DE ACCESORIOS
...	1	GUÍA DEL PRODUCTO, INGLÉS, FRANCÉS, ESPAÑOL

Clé	Qté	Description
17	1	GRILLE À CHARBON
18	1	ANNEAU DE LA GRILLE
19	3	ASSEMBLAGE DES PIEDS



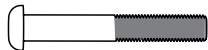

### NON illustré

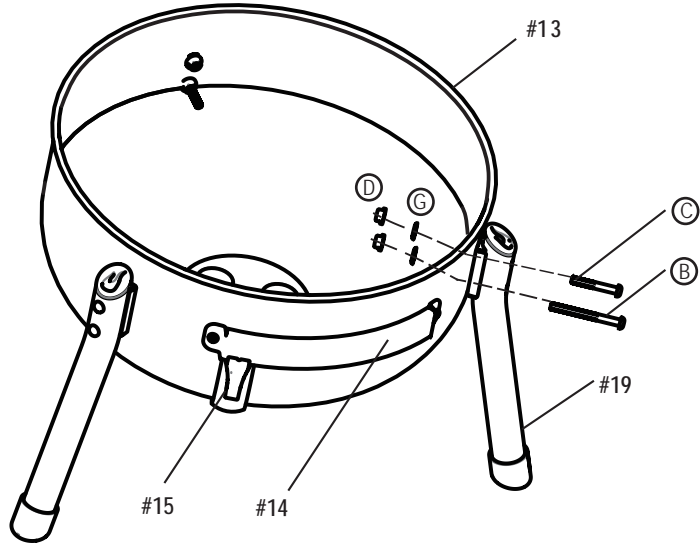
...	1	TROUSSE DE QUINCAILLERIE
...	1	GUIDE DU PRODUIT, ANGLAIS, FRANÇAIS, ESPAGNOL



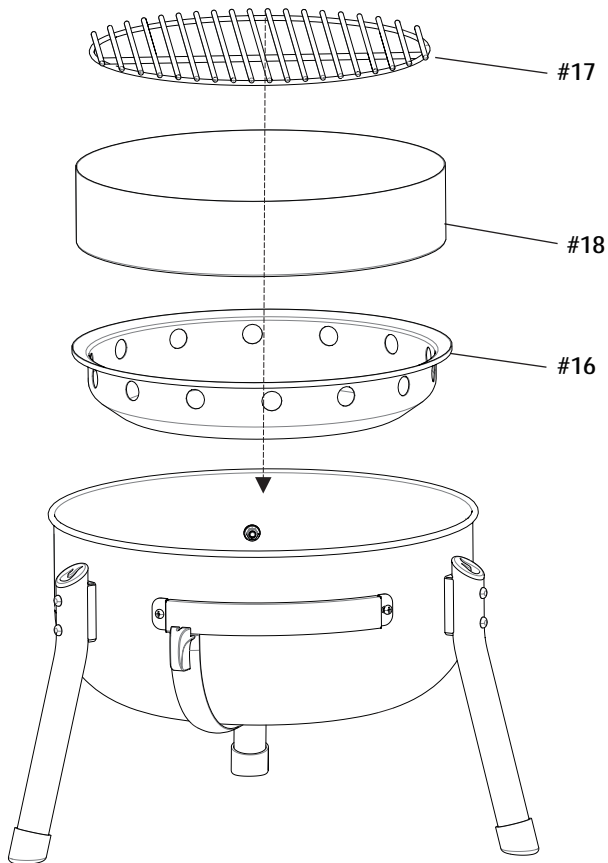
ASSEMBLY/ ASSEMBLAGE/ ARMADO

1

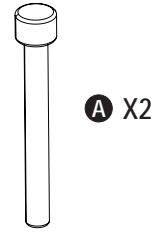
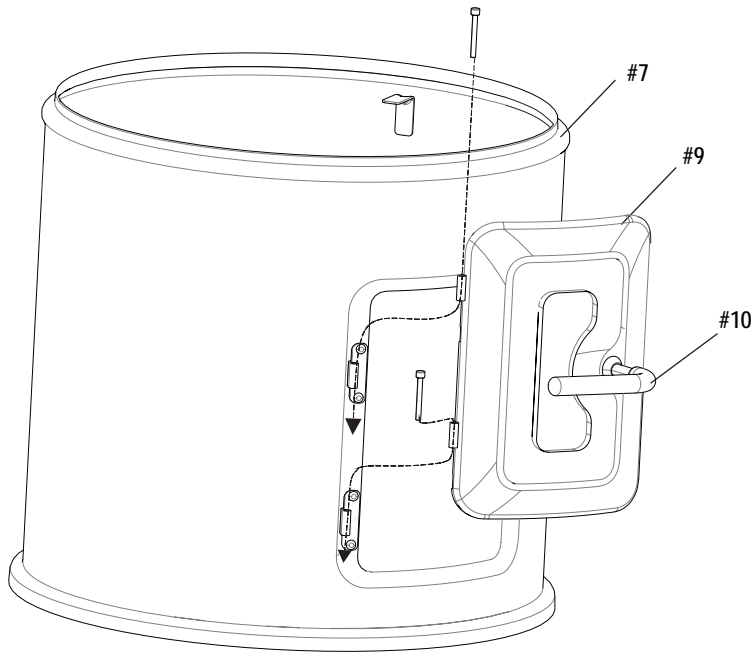
-  **B** X3
-  **D** X6
-  **C** X3
-  **G** X6



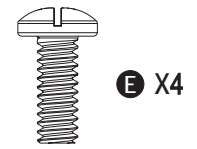
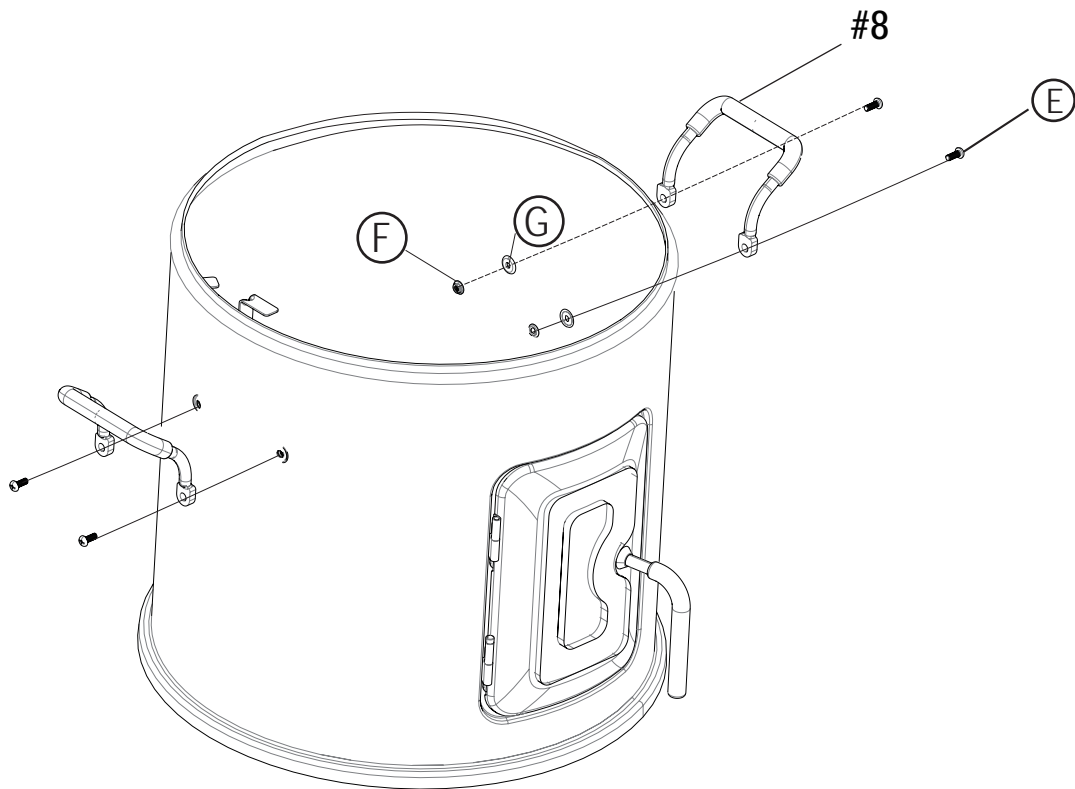
2



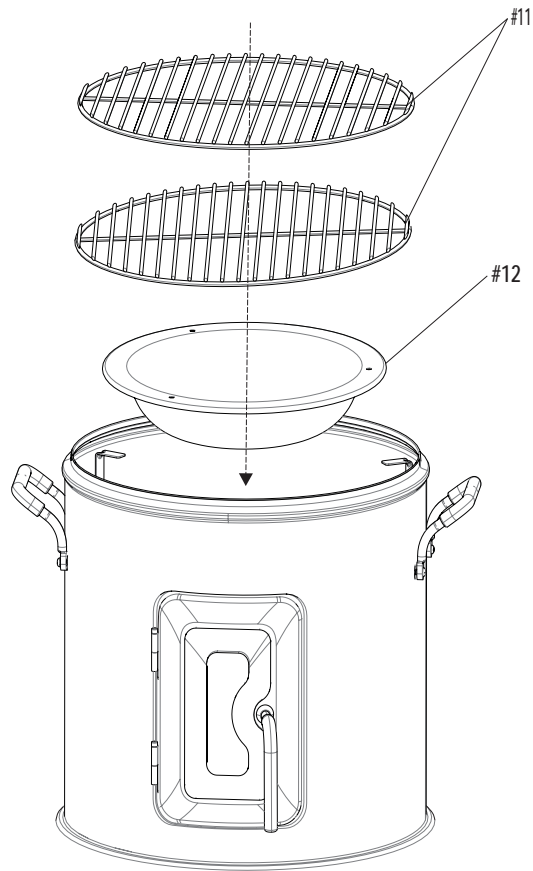
3



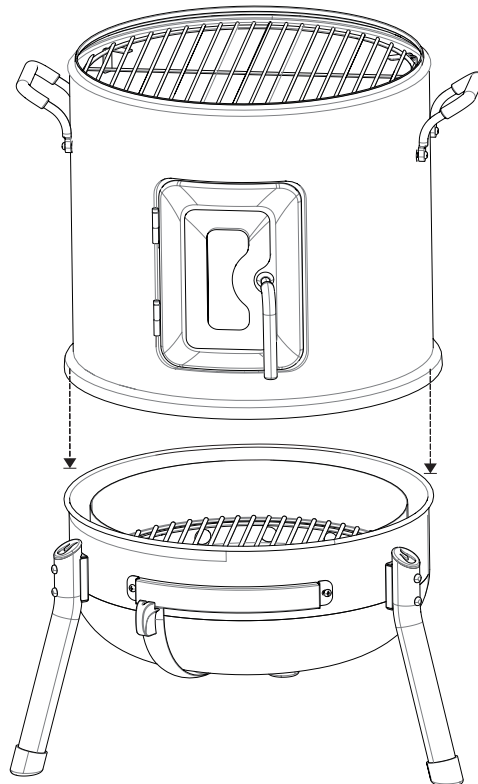
4



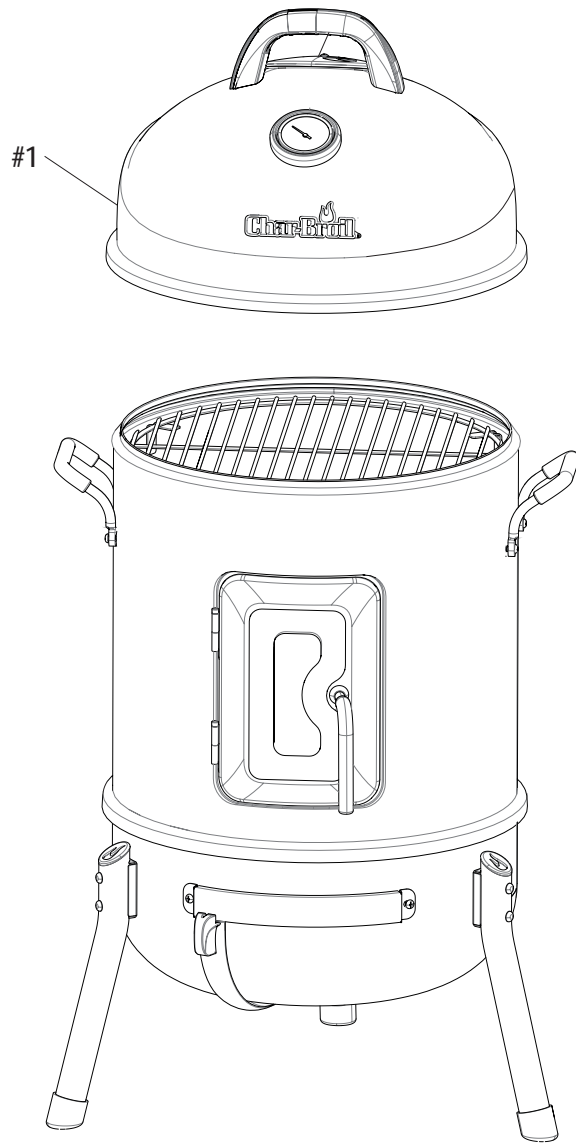
5



6



7







# Two convenient ways to register your product: Deux façons pratiques d'enregistrer votre produit: Dos formas convenientes de registrar su producto:

- 1 Online  
En ligne  
En línea

[www.charbroil.com/register](http://www.charbroil.com/register)

- 2 By mail | Par la poste | Por correo

PLEASE FILL OUT THIS CARD AND ATTACH A COPY OF YOUR SALES RECEIPT. RETURN IT WITHIN 10 DAYS OF PURCHASE. FOR WARRANTY SERVICE PROOF OF PURCHASE WILL BE REQUIRED. THIS WARRANTY IS NON-TRANSFERABLE.

LENE ESTA TARJETA Y DEVUELVALA DENTRO DE LOS 10 DIAS DE LA COMPRA. PARA EL SERVICIO DE GARANTIA ES NECESARIO QUE PRESENTE SU COMPROBANTE DE COMPRA. CONSERVE LA FACTURA. ESTA GARANTIA ES INTRANSFERIBLE.

VEUILLEZ COMPLETER CETTE CARTE ET LA RETOURNER DANS LES 10 JOURS SUIVANT L'ACHAT. POUR OBTENIR LE SERVICE SOUS GARANTIE, UNE PREUVE D'ACHAT DOIT ETRE PRESENTEE. VEUILLEZ CONSERVER VOTRE FACTURE. LA PRESENTE GARANTIE N'EST PAS TRANSFERABLE.

\*Required | Necesario | Exigé

~ PLEASE PRINT ~ IMPRIMA POR FAVOR ~ S'IL VOUS PLAÎT IMPRIMER ~

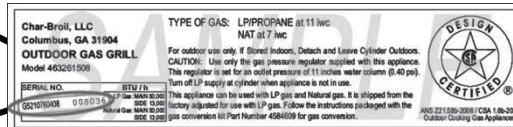
\* 1. First Name | Nombre | Prénom \_\_\_\_\_ Initial | Inicial | Initiale \_\_\_\_\_ Last Name | Apellido | Nom de Famillie \_\_\_\_\_

Address (number & street) | Dirección (número y calle) | Adresse (numéro et rue) \_\_\_\_\_ Apt Number | Nº de apart | Nº d'appt. \_\_\_\_\_

City | Ciudad | Ville \_\_\_\_\_ State | Estado | Province \_\_\_\_\_ Zip Code | Código Zip | Code Postal \_\_\_\_\_

\* 2. E-mail Address | Dirección de correo electrónico | Adresse électronique \_\_\_\_\_ \* 3. Phone Number | Número telefónico | Numéro de téléphone \_\_\_\_\_

\* 4. Model Number | Número de modelo | Numéro de modèle \_\_\_\_\_



STICKER ON PRODUCT

Serial Number | Número de serie | Numéro de série \_\_\_\_\_

6. Date of Purchase | Fecha de compra | Date de l'achat \_\_\_\_\_

\$

8. Purchase Price | Precio de compra | Prix d'achat \_\_\_\_\_

7. Store Name | Nombre de la tienda | Nom du magasin \_\_\_\_\_

9. Your Gender | Sexo | Sexe:

- Male | Masculino | Masculin  
 Female | Femenino | Féminin

10. Which product are you registering?

¿Qué producto está registrando?  
Quel produit enregistrez-vous?

1.  Gas Grill | Parrilla a gas | Gril au gaz
2.  Electric Grill | Parrilla eléctrica | Gril électrique
3.  Smoker | Ahumador | Fumoir
4.  Charcoal Grill | Parrilla a carbón | Barbecue au charbon
5.  Cooker/Fryer | Cocina/freidora | Cuisseur/Friteuse
6.  Other | Otro | Autre

**Mail to: / Enviar a: / Envoyer à :**

**Char-Broil Warranty Registration  
P.O. Box 1240  
Columbus, GA 31902-1240**

- \* 5. Attach copy of your sales receipt here.

Adjunte aqui la copia de su recibo de compra

Veillez attacher une copie de votre reçu ici.

We respect your privacy. | Respetamos su privacidad. | Nous respectons votre vie privée.

- If you prefer not to receive special offers and promotions from Char-Broil, please check here:
- Marque aquí si no desea recibir ofertas y promociones especiales de Char-Broil:
- Si vous préférez ne pas recevoir d'informations concernant des offres spéciales et des promotions de Charbroil, veuillez cocher ici:

Thank you for completing this questionnaire. | Gracias por completar este cuestionario. | Merci d'avoir bien voulu remplir ce questionnaire.



**Char-Broil**

©2017 Char-Broil, LLC. Columbus, GA, 31904. Printed in China. Impreso en China.  
©2017 Assembly instructions. ©2017 Instrucciones de ensamblado.  
The product associated with this guide was manufactured in China.  
El producto asociado con esta guía ha sido fabricado en China.