

Installation Instructions

I - Sheet Number I-B083833 Rev. A



Premium Style. Lasting Performance.

For proper installation and best possible fit, please read all instructions BEFORE you begin.
For technical assistance or to obtain missing parts, please call Customer Relations at 1-800-241-7219.

Para una instalación adecuada y el mejor ajuste posible, lea todas las instrucciones ANTES de comenzar.
Para obtener asistencia técnica o para obtener piezas que faltan, por favor llame a Relaciones con el cliente en 1-800-241-7219.

Pour une installation correcte et le meilleur ajustement possible, s'il vous plaît lire toutes les instructions AVANT de commencer.
Pour une assistance technique ou pour obtenir des pièces manquantes, s'il vous plaît communiquer avec les Relations à la clientèle au 1-800-241-7219.

Care and Cleaning

- **Wash only with mild soap & dry with a clean cloth.**
Lavar con jabón suave y seque con un paño limpio.
Laver avec un savon doux et séchez avec un chiffon propre.
- **Every 3 months or 5000 miles check the cover tension and all components for tightness.**
Revise cada 3 meses o 5,000 millas la tensión de la cubierta y todos los componentes estén ajustados.
Vérifiez tous les 3 mois ou 5000 miles la tension couvercle et le serrage des composants.

Congratulations!

You have purchased one of the many quality Lund® branded products offered by Lund International, Inc. We take the utmost pride in our products and want you to enjoy years of satisfaction from your investment. We have made every effort to ensure that your product is top quality in terms of fit, durability, finish and ease of installation.

Usted ha comprado uno de los muchos productos de calidad ofrecidos por Lund® de marca productos ofrecidos por Lund International, Inc. Tomamos el orgullo extremo en nuestros productos y queremos que disfrute durante años de su inversión. Hemos hecho todos los lo posible para que su producto es de calidad superior en cuanto a ajuste, durabilidad, acabado y facilidad de la instalación.

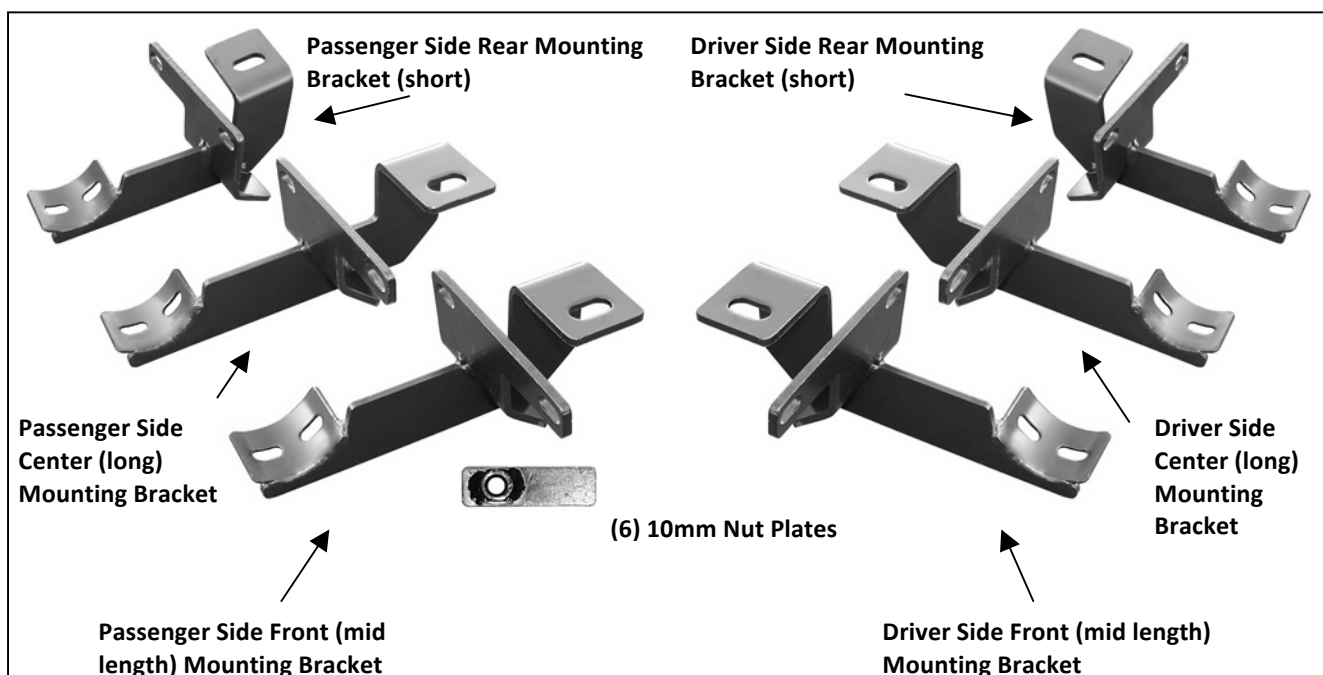
Vous avez acheté un des nombreux produits de qualité offerts par Lund® marque produits offerts par Lund International, Inc Nous sommes extrêmement fiers de nos produits et souhaitons que vous tiriez des années de satisfaction de votre investissement. Nous avons pris toutes les efforts pour s'assurer que votre produit est de qualité supérieure en termes de durabilité, de finition et la facilité de l'installation.

Installation Instructions

Part # 23574838/23674838

Parts List

1	Driver/Left Sidebar	6	10mm x 34mm OD x 3mm Flat Washers
1	Passenger/Right Sidebar	6	8-1.25mm x 35mm Hex Bolts
1	Driver/Left Front Mounting Bracket (medium length)	12	8-1.25mm x 25mm Hex Bolts
1	Passenger/Right Front Mounting Bracket (medium length)	18	8mm Lock Washers
1	Driver/Left Center Mounting Bracket (long)	12	8mm x 24mm OD x 2mm Flat Washers
1	Passenger/Right Center Mounting Bracket (long)	6	8mm x 28mm OD x 3mm Large Flat Washers
1	Driver/Left Rear Mounting Bracket (short)	12	6-1.0mm x 25mm Button Head Bolts
1	Passenger/Right Rear Mounting Bracket (short)	24	6mm ID x 18mm OD x 1.6mm Flat Washers
6	10mm Nut Plates	12	6mm Nylon Lock Nuts
6	10-1.5mm x 35mm Hex Bolts	1	4mm Allen Wrench
6	10mm Lock Washers		



PROCEDURE:

1. REMOVE CONTENTS FROM BOX. VERIFY ALL PARTS ARE PRESENT. READ INSTRUCTIONS CAREFULLY BEFORE STARTING INSTALLATION. FACTORY INSTALLED OR AFTERMARKET "ROCK RAILS," SIDE STEPS OR RUNNING BOARDS MUST BE REMOVED.
2. Start installation toward the front of the passenger side of the vehicle. Determine if the vehicle has an open floor panel or a threaded hole in the floor panel for the top tab on the Bracket, (Figures 1 - 2). Remove any insulation that may be covering the mounting locations.
3. Select the passenger side front Bracket. **VERY IMPORTANT:** The 6 Mounting Brackets look very similar. Use the instructions to properly identify the front, center and rear Brackets for either side of the vehicle. Each bracket has been designed for a specific location for proper installation.
 - a. **Vehicles with open mounting location:** Insert (1) 10mm Nut Plate into the large square opening in the floor panel. Line up the threaded nut with the small hole in line with the tab on the Bracket, (Figure 1). Bolt the Bracket to the Nut Plate with (1) 10mm x 35mm Hex Bolt, (1) 10mm Lock Washer and (1) 10mm Flat Washer, (Figure 3A). Do not tighten hardware.

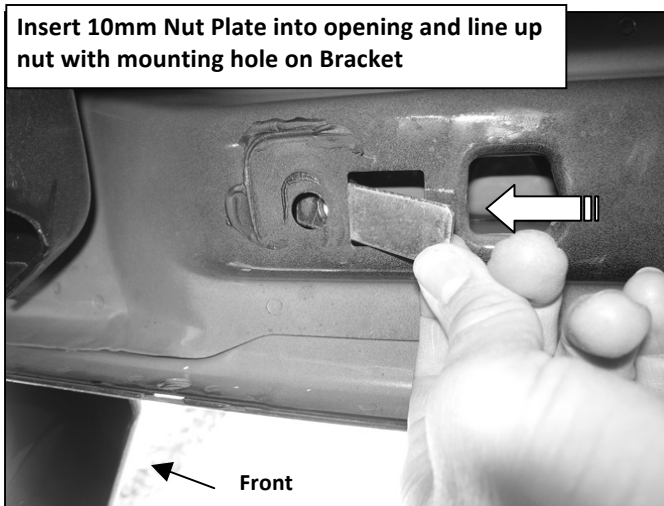
- b. **Vehicles with factory threaded hole in floor panel:** Bolt the tab on the Bracket to the threaded hole in the floor panel with (1) 8mm x 35mm Hex Bolt, (1) 8mm Lock Washer and (1) 8mm x 28mm OD Large Flat Washer, **(Figures 2 & 3A)**. Do not tighten hardware.
4. Line up the mounting plate on the Bracket with the (2) factory holes in the pinch weld. Bolt the Mounting Bracket to the **back** of the pinch weld using the included (2) 6mm x 25mm Button Head Allen Bolts, (2) 6mm x 18mm Small Flat Washers, (against pinch weld), (2) 6mm x 22mm OD Large Flat Washers, (inside against the bracket), and (2) 6mm Nylon Lock Nuts, **(Figure 3A)**. Leave loose at this time.
 5. Repeat **Steps 2 – 4** for Center and Rear Mounting Bracket installation. Use the instructions to correctly identify the Brackets, **(Figures 3B, 3C, 3D & 4)**.
 6. Once all three Mounting Brackets are securely in position, place the passenger Sidebar onto the Mounting Brackets and secure it with the included (6) 8mm x 25mm Hex Bolts, (6) 8mm Lock Washers and (6) 8mm Flat Washers, **(Figure 5)**. **NOTE:** Mounting cradles on Brackets should be inline and pointing toward the rear of the vehicle for proper installation. Snug all hardware but do not tighten at this time.
 7. Adjust and level the Sidebar and tighten all hardware.
 8. Repeat **Steps 2 - 7** for driver/left Sidebar installation.
 9. Do periodic inspections to the installation to make sure that all hardware is secure and tight.

To protect your investment, wax this product after installing. Regular waxing is recommended to add a protective layer over the finish. Do not use any type of polish or wax that may contain abrasives that could damage the finish.

For stainless steel: Aluminum polish may be used to polish small scratches and scuffs on the finish. Mild soap may be used also to clean the Sidebar.

For gloss black finishes: Mild soap may be used to clean Sidebar.

Passenger Side Installation Pictured

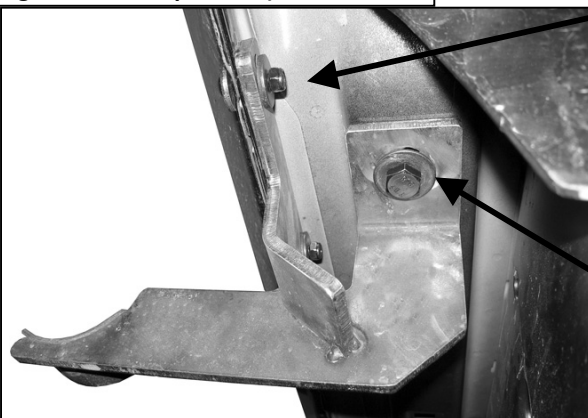


Insert 10mm Nut Plate into opening and line up nut with mounting hole on Bracket

(Fig 1) Opening in floor frame channel (passenger side-front pictured)



(Fig 2) 8mm threaded hole in floor frame channel (passenger side-front pictured for example)

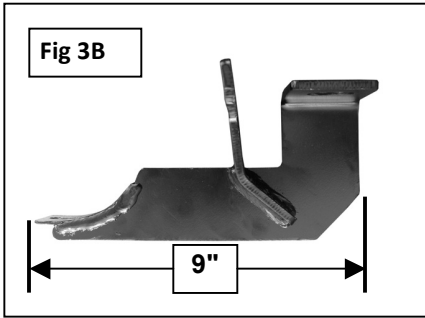


(Fig 3A) Passenger side Front Mounting Bracket installation pictured ("mid length" bracket)

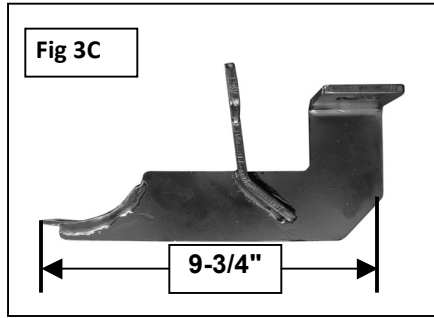
- (2) 6mm x 25mm Button Head Bolts
- (2) 6mm Small Flat Washers (outside)
- (2) 6mm Large Flat Washers (inside)
- (2) 6mm Nylon Lock Nuts

- 10mm Nut Plate
- 10mm x 35mm Hex Bolt
- 10mm Lock Washer
- 10mm Flat Washer
- OR
- 8mm x 35mm Hex Bolt
- 8mm Lock Washer
- 8mm x 28mm OD x 3mm Large Flat Washer

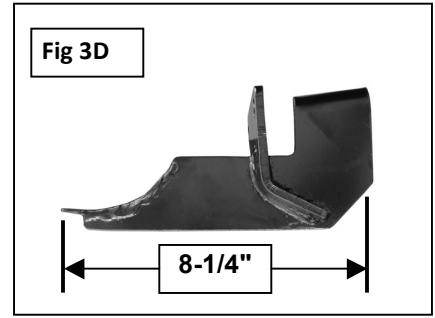
Passenger Side Installation Pictured



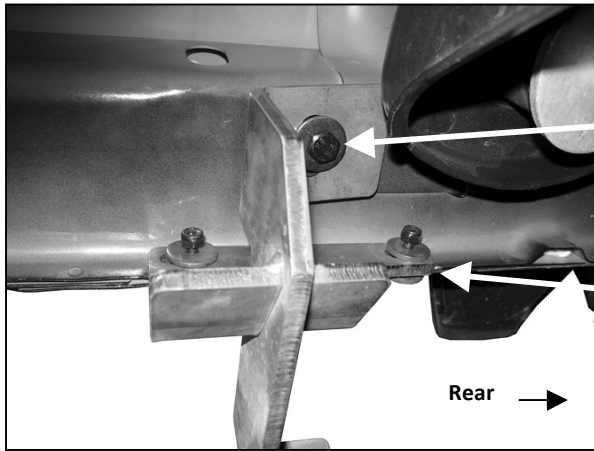
Passenger side "mid-length" front Bracket pictured



(Fig 3A) Passenger side "long" center Bracket pictured



Passenger side "short" rear Bracket pictured



(Fig 4) Passenger side Rear Mounting Bracket installation pictured (short bracket)

- 10mm Nut Plate
- 10mm x 35mm Hex Bolt
- 10mm Lock Washer
- 10mm Flat Washer
- OR
- 8mm x 35mm Hex Bolt
- 8mm Lock Washer
- 8mm x 28mm OD x 3mm Large Flat Washer

- (2) 6mm x 25mm Button Head Bolts
- (4) 6mm Flat Washers
- (2) 6mm Nylon Lock Nuts

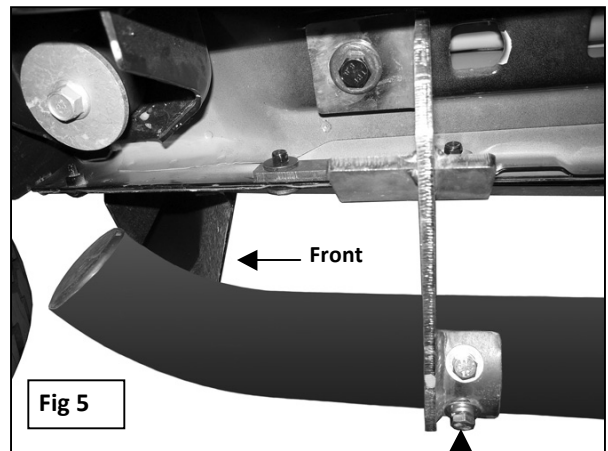


Fig 5

- (2) 8mm x 25mm Hex Bolts
- (2) 8mm Lock Washers
- (2) 8mm STD Flat Washers



Complete Installation