

# Installation Instructions

I - Sheet Number I-PW010545 Rev.A



Premium Style. Lasting Performance.

For proper installation and best possible fit, please read all instructions BEFORE you begin.  
For technical assistance or to obtain missing parts, please call Customer Relations at 1-800-241-7219.

Para una instalación adecuada y el mejor ajuste posible, lea todas las instrucciones ANTES de comenzar.  
Para obtener asistencia técnica o para obtener piezas que faltan, por favor llame a Relaciones con el cliente en 1-800-241-7219.

Pour une installation correcte et le meilleur ajustement possible, s'il vous plaît lire toutes les instructions AVANT de commencer.  
Pour une assistance technique ou pour obtenir des pièces manquantes, s'il vous plaît communiquer avec les Relations à la clientèle au 1-800-241-7219.

## Care and Cleaning

- **Wash only with mild soap & dry with a clean cloth.**  
Lavar con jabón suave y seque con un paño limpio.  
Laver avec un savon doux et séchez avec un chiffon propre.
- **Every 3 months or 5000 miles check the cover tension and all components for tightness.**  
Revise cada 3 meses o 5,000 millas la tensión de la cubierta y todos los componentes estén ajustados.  
Vérifiez tous les 3 mois ou 5000 miles la tension couvercle et le serrage des composants.

## Congratulations!

You have purchased one of the many quality Lund® branded products offered by Lund International, Inc. We take the utmost pride in our products and want you to enjoy years of satisfaction from your investment. We have made every effort to ensure that your product is top quality in terms of fit, durability, finish and ease of installation.

Usted ha comprado uno de los muchos productos de calidad ofrecidos por Lund® de marca productos ofrecidos por Lund International, Inc. Tomamos el orgullo extremo en nuestros productos y queremos que disfrute durante años de su inversión. Hemos hecho todos los lo posible para que su producto es de calidad superior en cuanto a ajuste, durabilidad, acabado y facilidad de la instalación.

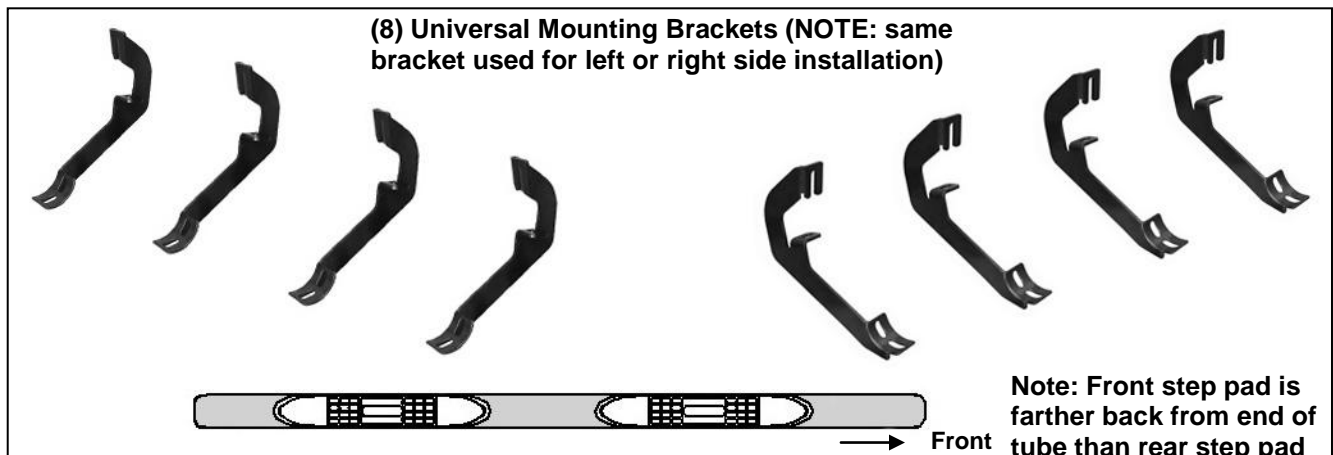
Vous avez acheté un des nombreux produits de qualité offerts par Lund® marque produits offerts par Lund International, Inc Nous sommes extrêmement fiers de nos produits et souhaitons que vous tiriez des années de satisfaction de votre investissement. Nous avons pris toutes les efforts pour s'assurer que votre produit est de qualité supérieure en termes de durabilité, de finition et la facilité de l'installation.

# INSTALLATION INSTRUCTIONS

PART# 23510545/23610545

## PARTS LIST:

Qty	Description	Qty	Description
1	Driver/Left Sidebar	32	8-1.25mm x 25mm Hex Bolt
1	Passenger/Right Sidebar	32	8mm x 24mm OD x 2mm Flat Washer
8	3" Sidebar Brackets	32	8mm Lock Washer
12	8-1.25mm Clip-On Nuts		



## PROCEDURE:

REMOVE CONTENTS FROM BOX. VERIFY ALL PARTS ARE PRESENT. READ INSTALLATION INSTRUCTIONS CAREFULLY BEFORE STARTING INSTALLATION.

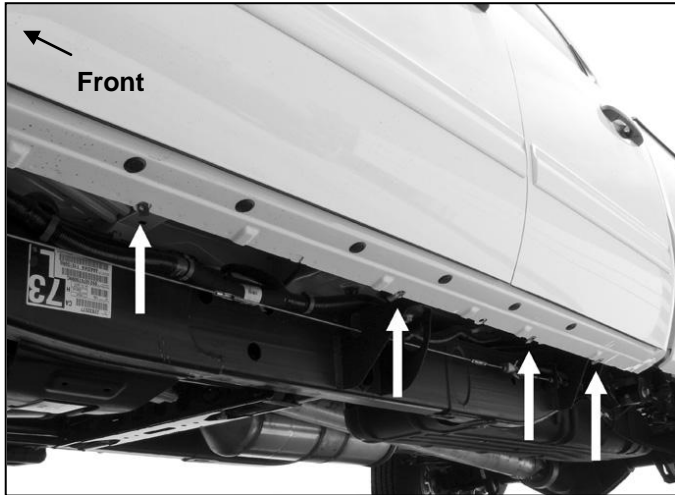
1. Start the installation under the driver side of the vehicle. Locate the (5) tabs with holes along the bottom edge of the body, **(Figure 1)**. **IMPORTANT:** Installation will use the 1st, 2nd, 4th and 5th mounting tabs only.
2. Select (1) 8mm Clip Nut. Slide the Clip Nut over the first tab with the nut facing up behind the tab, **(Figure 2)**. Line up the threaded nut with the hole in the tab. Next, locate the threaded hole in the inner body panel directly above the Clip Nut, **(Figure 2)**.
3. Select (1) Mounting Bracket. **NOTE:** Brackets are universal and will fit left or right side. Bolt the Mounting Bracket to the Clip Nut and the factory threaded hole with (2) 8mm Hex Bolts, (2) 8mm Lock Washers and (2) 8mm Flat Washers, **(Figure 3)**. Snug but do not fully tighten the hardware at this time.
4. Repeat **Steps 1 – 3** to install the next Bracket in the 2nd location along the body, **(Figure 2)**.
5. Continue past the 3rd tab and locate the 4th tab along bottom of the body, **(Figure 1)**. Remove the rubber plug from the larger hole, **(Figure 4)**. Slide (1) 8mm Clip Nut over the tab as previously described in Step 2. Slide (1) 8mm Clip Nut into the large hole and line it up over the smaller hole, **(Figure 5)**. Repeat **Step 3** to bolt the Mounting Bracket to the location, **(Figure 6)**.
6. Repeat **Step 5** to install the last Bracket at the back of the cab, **(Figure 7)**.
7. Carefully position the Driver Sidebar onto the (4) Mounting Brackets. Attach the Sidebar to the Mounting Brackets with (8) 8mm x 25mm Hex Bolts, (8) 8mm Lock Washers and (8) 8mm Flat Washers, **(Figures 7 & 8)**. Do not tighten hardware at this time.
8. Level and adjust the Sidebar and tighten all hardware.
9. Repeat **Steps 2 – 8** for passenger Sidebar installation. **NOTE:** cradles on Brackets installed on passenger side will face forward.
10. Do periodic inspections to the installation to make sure that all hardware is secure and tight.

**To protect your investment**, wax this product after installing. Regular waxing is recommended to add a protective layer over the finish. Do not use any type of polish or wax that may contain abrasives that could damage the finish.

**For stainless steel:** Aluminum polish may be used to polish small scratches and scuffs on the finish. Mild soap may be used also to clean the Sidebar.

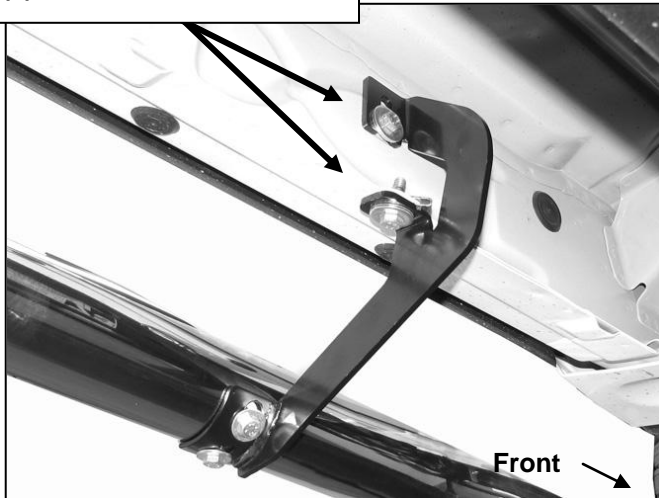
**For gloss black finishes:** Mild soap may be used to clean the Sidebar.

### Driver Side Installation Pictured



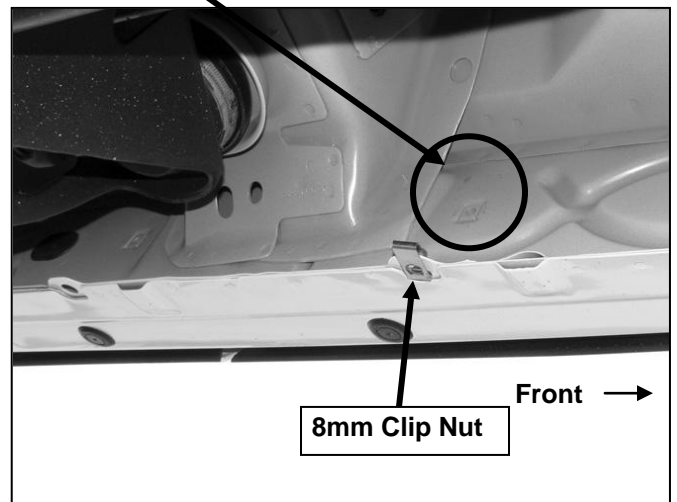
(Fig 1) Driver side (4) mounting locations pictured

- (2) 8mm x 25mm Hex Bolts
- (2) 8mm Lock Washers
- (2) 8mm Flat Washers

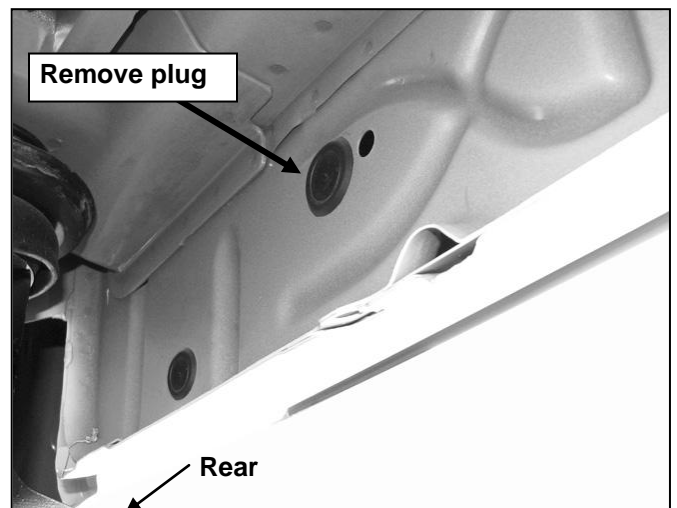


(Fig 3) Driver side front mounting location pictured

Factory 8mm threaded insert in body panel

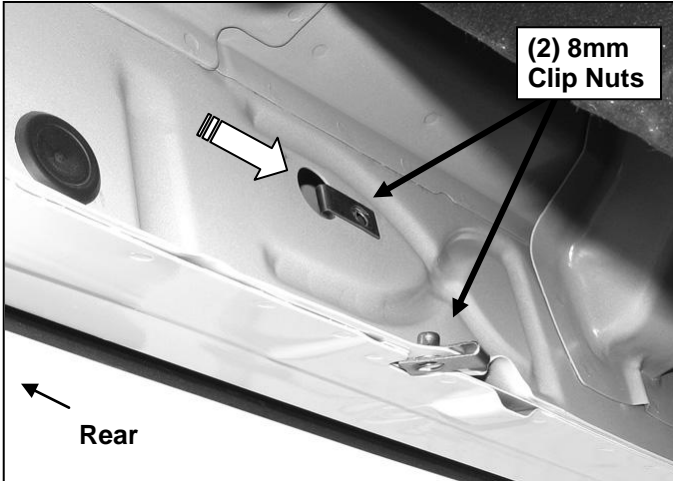


(Fig 2) Driver side 2nd mounting location pictured



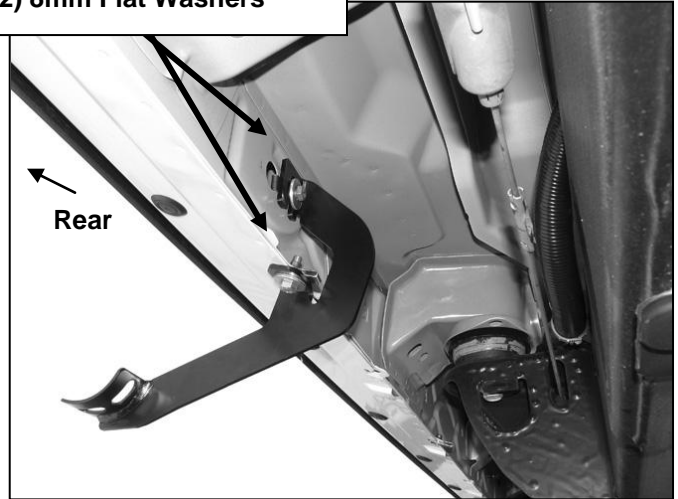
(Fig 4) Driver side rear mounting location pictured

### Driver Side Installation Pictured

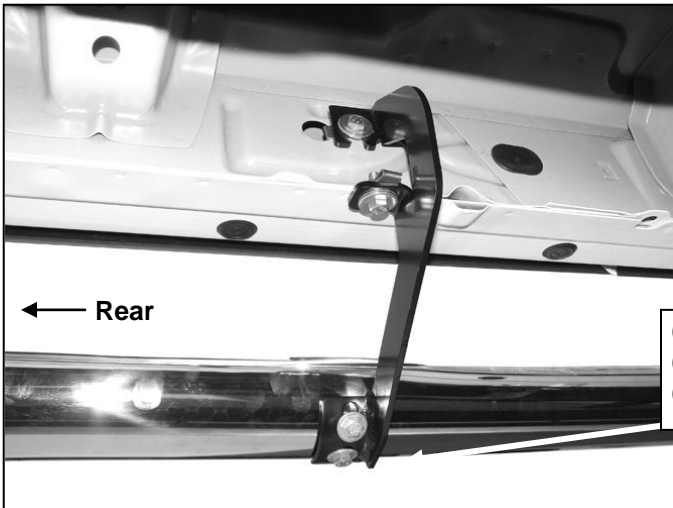


(Fig 5) Driver side rear mounting location pictured

- (2) 8mm x 25mm Hex Bolts
- (2) 8mm Lock Washers
- (2) 8mm Flat Washers

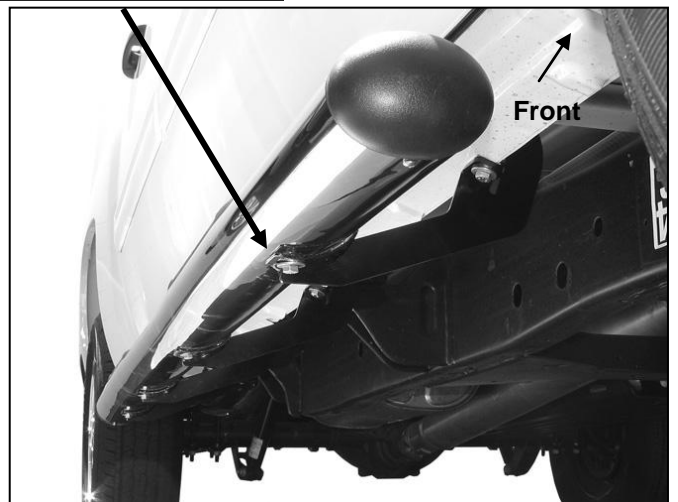


(Fig 6) Driver side 3rd mounting location pictured



- (2) 8mm x 25mm Hex Bolts
- (2) 8mm Lock Washers
- (2) 8mm Flat Washers

(Fig 7) Driver side 3rd mounting location pictured



(Fig 8) Passenger side front mounting location pictured



Complete Installation