

# Modesto

Model # 8881

## Modesto 42in Tall Planter



### DESCRIPTION

With a sloped top and grooved texture, the Modesto collection offers a bold twist to a contemporary design that truly captures the elusive flair of European styling. It's hard to believe such beauty and elegance can be found in a form that appears so simple and uncontrived. Make a statement!

- Commercial grade thickness for added strength
- 100% polyethylene planter with UV inhibitors
- Weather resistant, low maintenance material
- Double wall design for increased rigidity
- Warranty: 15-Yr Residential Use / 5-Yr Commercial Use

### PRODUCT DIMENSIONS

**Outside Dimensions:** 22in DIA x 42in H (55.8cm x 106.7cm)

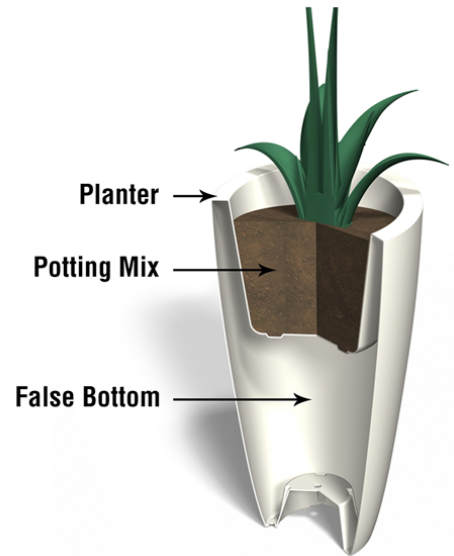
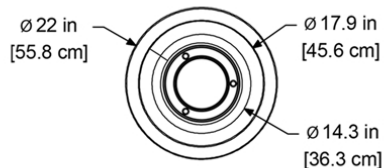
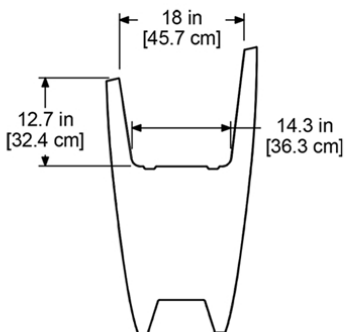
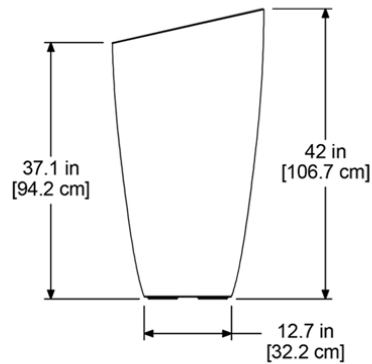
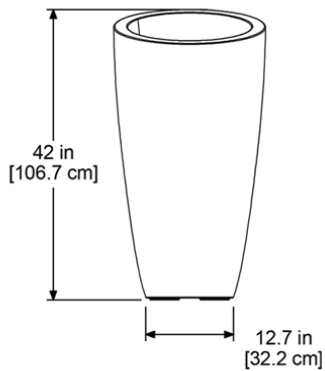
**Inside Dimensions:** 17.9in DIA x 12.7in D (45.6cm x 32.4cm)

**Soil Capacity:** 12 Gallons (45 Liters)

**Wall Thickness:** 0.2in (5mm)

**Part Weight:** 24.5lbs (11kg)

**Material:** Polyethylene



**MAYNE**<sup>®</sup>  
Outdoor Products of Distinction

7024 Kilbourne Rd - Unit A  
London, ON N6P 1K6  
866-363-8834 | gomayne.com  
customerservice@gomayne.com