

Modesto

Model # 8881

Modesto 42in Tall Planter



DESCRIPTION

With a sloped top and grooved texture, the Modesto collection offers a bold twist to a contemporary design that truly captures the elusive flair of European styling. It's hard to believe such beauty and elegance can be found in a form that appears so simple and uncontrived. Make a statement!

- Commercial grade thickness for added strength
- 100% polyethylene planter with UV inhibitors
- Weather resistant, low maintenance material
- Double wall design for increased rigidity
- Warranty: 15-Yr Residential Use / 5-Yr Commercial Use

PRODUCT DIMENSIONS

Outside Dimensions: 22in DIA x 42in H (55.8cm x 106.7cm)

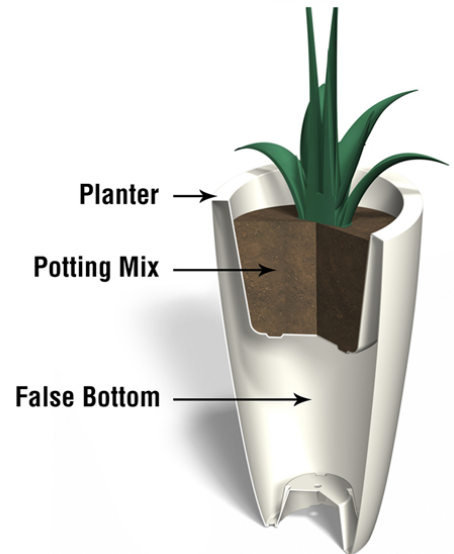
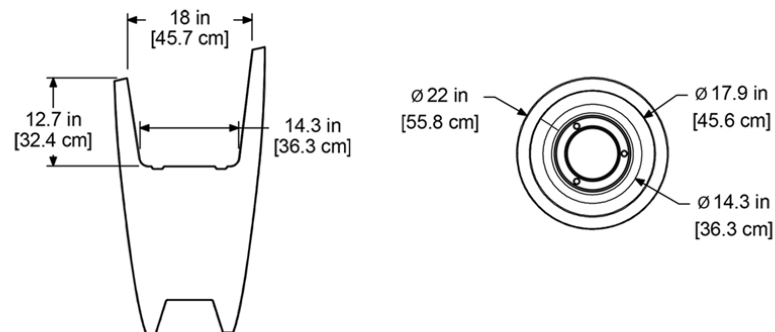
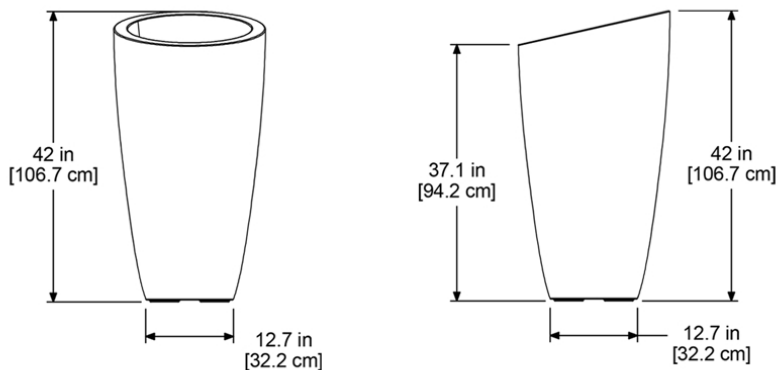
Inside Dimensions: 17.9in DIA x 12.7in D (45.6cm x 32.4cm)

Soil Capacity: 12 Gallons (45 Liters)

Wall Thickness: 0.2in (5mm)

Part Weight: 24.5lbs (11kg)

Material: Polyethylene



MAYNE[®]
CONTRACT

7024 Kilbourne Rd - Unit A London, ON N6P 1K6

Tel: 866-363-8834 | www.maynecontract.com

customerservice@gomayne.com