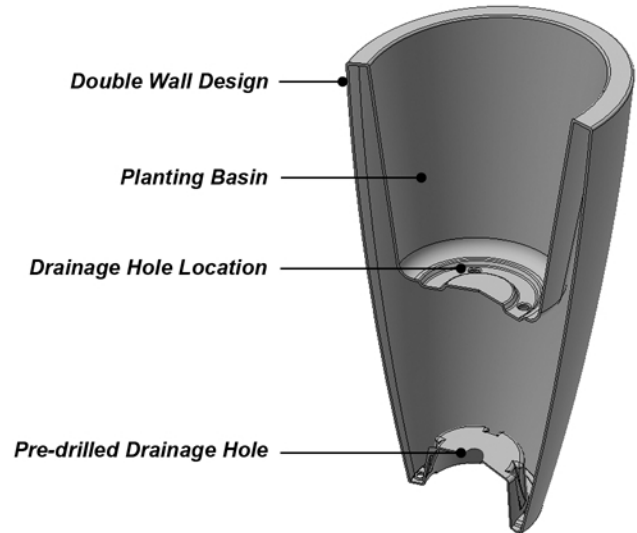


Modesto designer planters

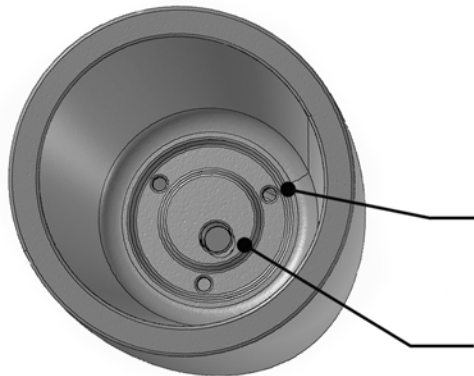


Polyresin Planter
Indoor/Outdoor Use
UV Protected
Shock Resistant



GENERAL INFORMATION:

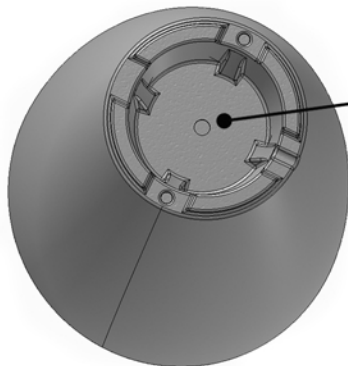
- Molded from durable, all-weather polyethylene.
- The polyethylene construction is designed to withstand cold temperatures but winter storage in a shed or garage is recommended in extremely cold conditions.
- Drainage holes required when using the planter outdoors.
- Rinse clean with a garden hose; for a deeper clean, use a power washer.
- **15-year** warranty for residential use, **5-year** warranty for commercial use.



INSTALLATION TIPS:

For outdoor use drill 1.3 cm (1/2 in) drainage holes in the marked locations. There are 3 recessed areas in the bottom of the planter basin

For added stability, drill a 1.375 inch diameter hole in the planter basin to fill the lower cavity with sand or crushed gravel. Seal up the hole with the red plug provided.



The planter comes with a pre-drilled hole in the bottom cavity.

