

Valencia

Model # 5873

Valencia 16in Patio Planter



DESCRIPTION

The Valencia Collection offers a square tulip shaped planter which would be a perfect, modern addition to your front porch while taking up minimal space. This unique design will make a beautiful statement to your entrance ways, patios and terraces.

- 100% polyethylene planter with UV inhibitors
- Weather resistant, low maintenance material
- Double wall molded design
- Warranty: 15-Yr Residential Use / 5-Yr Commercial Use

PRODUCT DIMENSIONS

Outside Dimensions: 15.9in L x 15.9in W x 18in H (40.5cm x 40.5cm x 45.7cm)

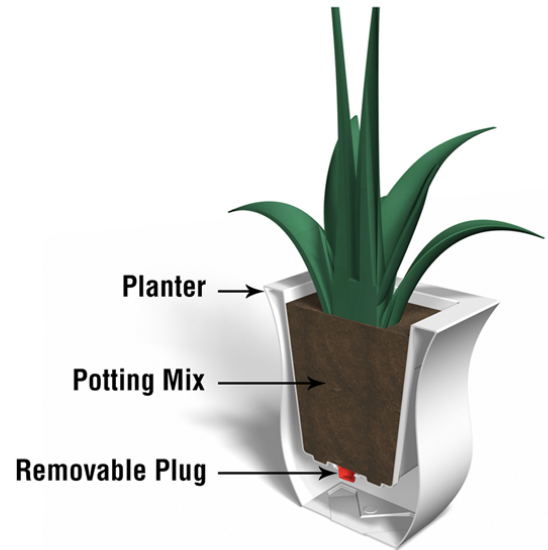
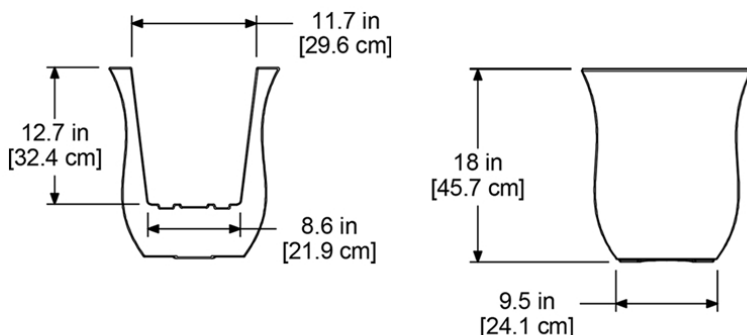
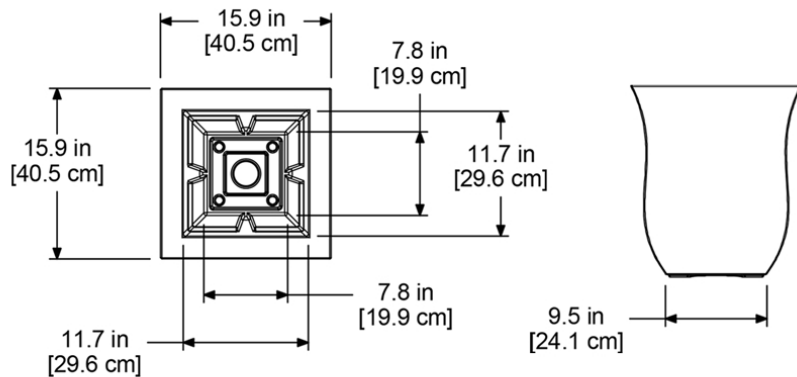
Inside Dimensions: 11.7in L x 11.7in W x 12.7in D (29.6cm x 29.6cm x 32.4cm)

Soil Capacity: 4.5 Gallons (17 Liters)

Wall Thickness: 0.12in (3mm)

Part Weight: 7.1lbs (3.2kg)

Material: Polyethylene



MAYNE[®]
Outdoor Products of Distinction

7024 Kilbourne Rd - Unit A London, ON N6P 1K6

Tel: 866-363-8834 | www.gomayne.com

customerservice@gomayne.com