

# Lakeland

Model # 5867

## Lakeland 20in Square Planter



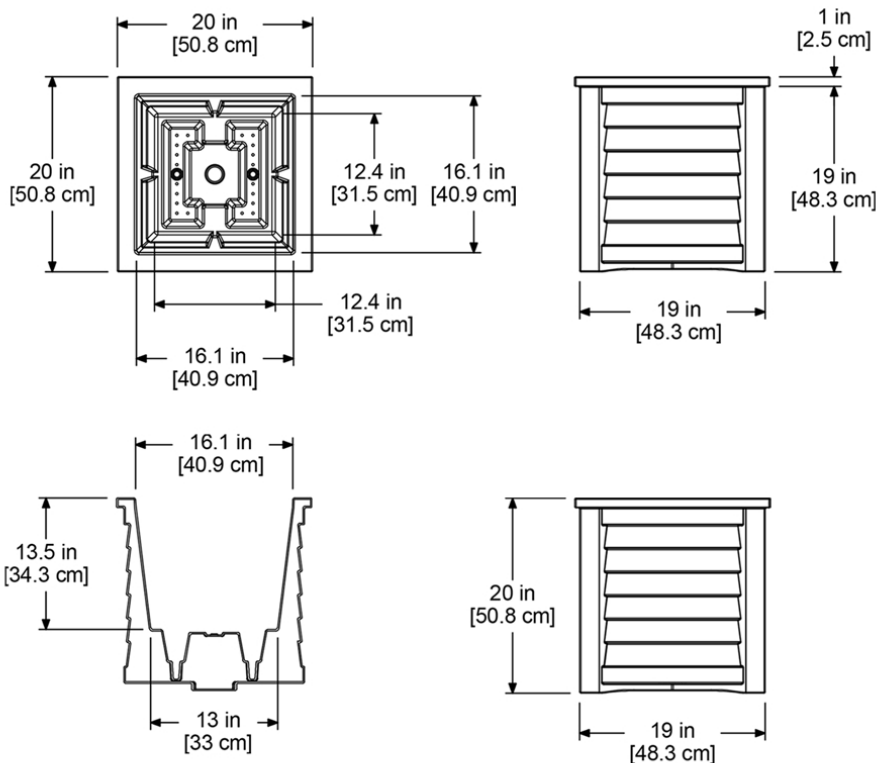
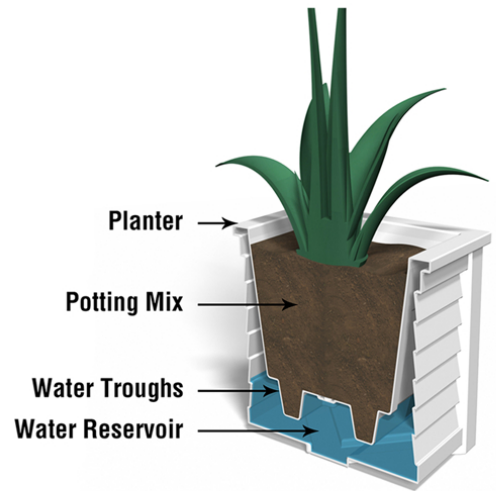
### DESCRIPTION

The Mayne Lakeland planter has the look of wood without the upkeep. Molded from high-grade polyethylene, this planter offers a classy choice for your outdoor décor needs. Long-lasting beauty, durability and quality. Built-in water reservoir encourages healthy plant growth by allowing plants to practically water themselves.

- Creates a beautiful coastal appeal
- 100% high-grade polyethylene planter with UV inhibitors
- Weather resistant, low maintenance material
- Double wall design featuring a sub-irrigation water system
- Warranty: 15-Yr Residential Use / 5-Yr Commercial Use

### PRODUCT DIMENSIONS

**Outside Dimensions:** 20in L x 20in W x 20in H (50.8cm x 50.8cm x 50.8cm)  
**Inside Dimensions:** 16.1in L x 16.1in W x 13.5in D (40.9cm x 40.9cm x 34.3cm)  
**Soil Capacity:** 11.5 Gallons (43.5 Liters)  
**Water Reservoir Capacity:** 6.5 Gallons (24.6 Liters)  
**Wall Thickness:** 0.12in (3mm)  
**Part Weight:** 13.2lbs (6.0kg)  
**Material:** Polyethylene



**MAYNE**<sup>®</sup>  
Outdoor Products of Distinction

7024 Kilbourne Rd - Unit A London, ON N6P 1K6  
Tel: 866-363-8834 | [www.gomayne.com](http://www.gomayne.com)  
[customerservice@gomayne.com](mailto:customerservice@gomayne.com)