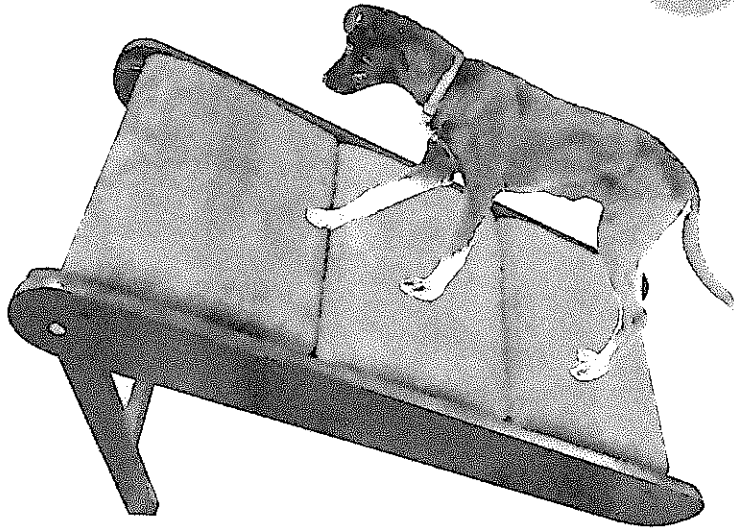




We Make Your Pet Happy!

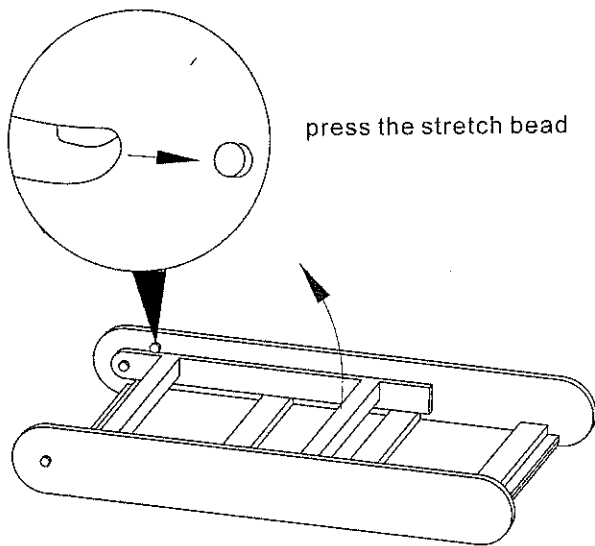
INSTRUCTION MANUAL
EXTRA-WIDE
Free Standing Pet Ramp

80-PET5072

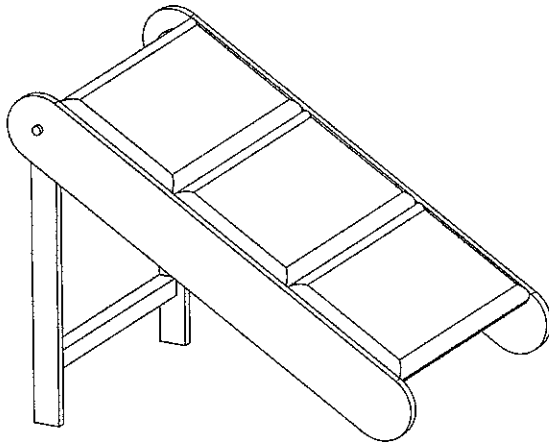


INSTRUCTIONS FOR USE

Step 1



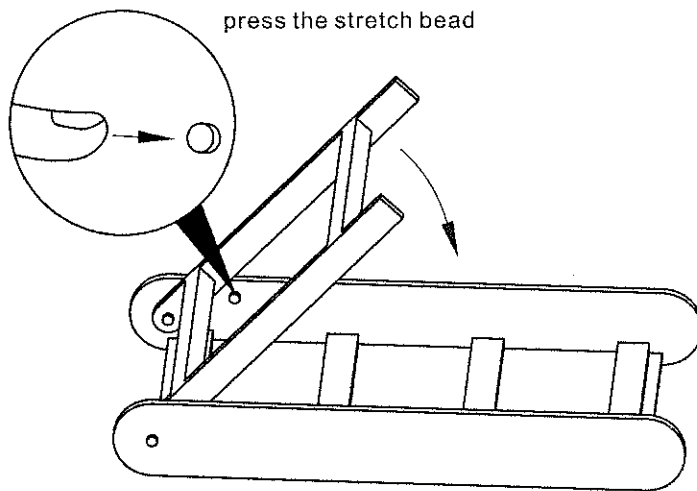
Step 2



FREE-STANDING EXTRA WIDE PET RAMP • 80-PET5072

INSTRUCTIONS FOR STORE

Step 3



⚠ WARNING!

- Before use, be sure ramp is installed according to instructions.
- Use as a pet ramp **ONLY!**
- Do not use to load people or other objects.
- Never leave the ramp unattended.
- The ramp is designed to support a maximum load of 100 lbs. when installed properly.
- Exceeding the load limit will void the product warranty and may cause injury to the pet or pet owner.
- Never use the ramp while the vehicle is in motion.

FOR PETS ONLY.

Not intended to be used as a restraining device for aggressive or dangerous animals that dig, chew or paw aggressively. Do not leave your pet unattended. **PETMAKER** is not liable for any damage caused by aggressive, destructive, immature or untrained animals. Do not use near an open or exposed flame. Failure to follow these warnings and the instructions could result in serious injury or death.

MADE IN CHINA