



# Stainless Steel Playtop Home PARTS LIST

Instructions online at [www.prevuepet.com](http://www.prevuepet.com)

## CUSTOMER SUPPORT

For assistance or replacement parts, please contact Prevue Pet Products:

**PHONE** 1 (312) 243-3624


**ONLINE** [www.prevuepet.com](http://www.prevuepet.com)

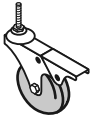
**EMAIL** [customerservice@prevuepet.com](mailto:customerservice@prevuepet.com)

## HARDWARE INCLUDED:

 Phillips-head screws  
18 pcs (installed in place on cage panels)

 Hex screws  
4 pcs (installed in place on playtop bar supports)

 Knobs  
4 pcs (installed in place on cage & playtop bar)

 **C**  
Casters  
4 pcs

(plus bagged extras : hardware & duplicate screws)

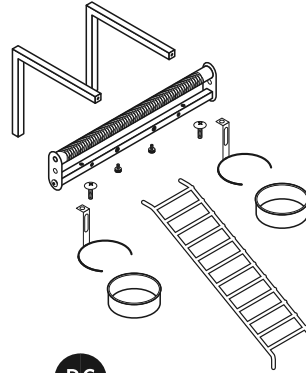
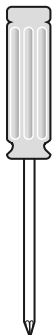
## TOOLS INCLUDED:

Allen wrench

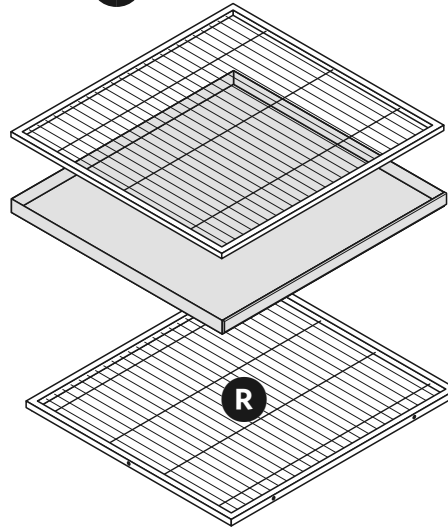


## TOOLS NOT INCLUDED:

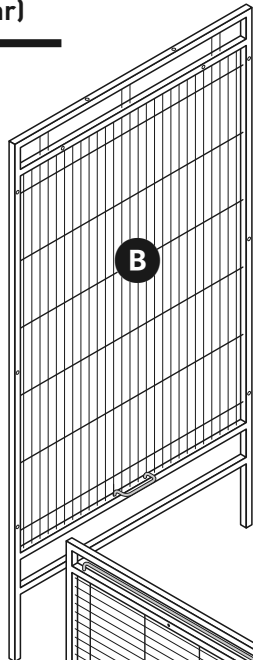
Phillips-head screwdriver



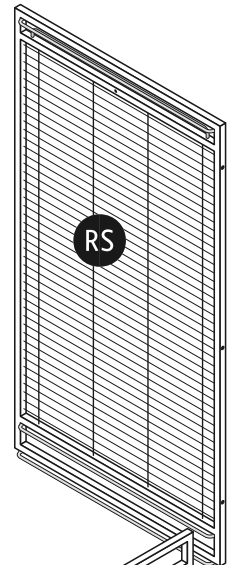
PC



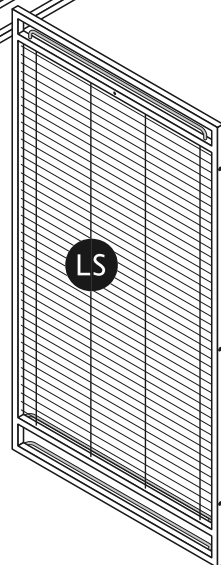
R



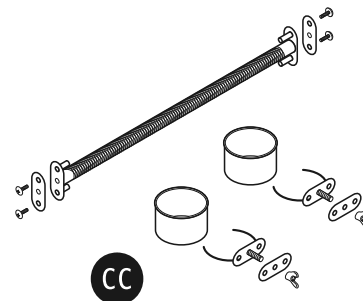
B



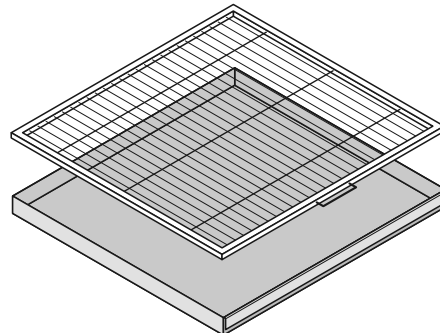
RS



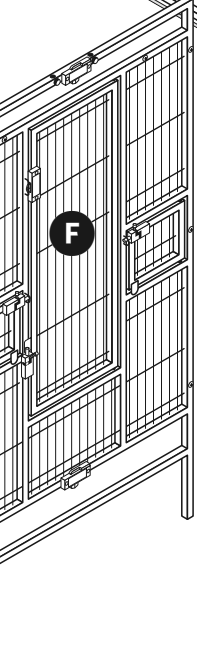
LS



CC



F



## KEY:

- B = Back panel
- LS = Left Side panel
- F = Front panel
- RS = Right Side panel
- R = Roof grille
- C = Casters
- PC = Playtop Components
- CC = Cage Components



MODEL #  
**3453**

# Stainless Steel Playtop Home

Instructions online at [www.prevuepet.com](http://www.prevuepet.com)

## CUSTOMER SUPPORT

For assistance or replacement parts, please contact Prevue Pet Products:

**PHONE** 1 (312) 243-3624

**ONLINE** [www.prevuepet.com](http://www.prevuepet.com)

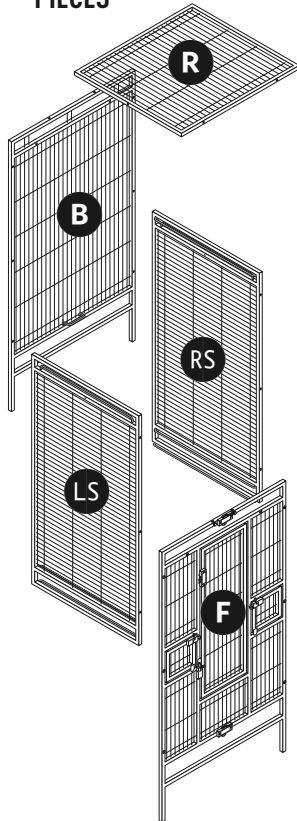
**EMAIL** [customerservice@prevuepet.com](mailto:customerservice@prevuepet.com)

TOOLS NEEDED : Phillips head screwdriver • For best results, follow Assembly Steps in order presented.

### KEY:

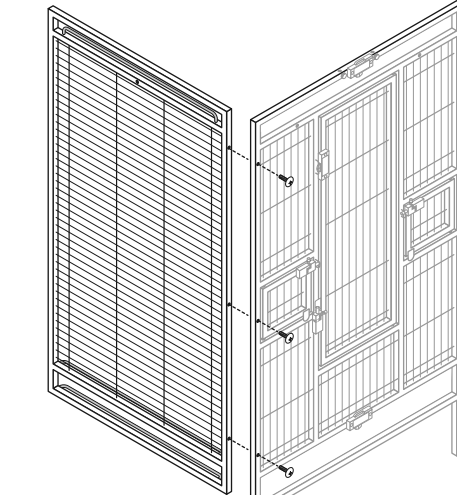
- B = Back panel
- F = Front panel
- LS = Left side panel
- RS = Right side panel
- R = Roof grille
- C = Casters
- CC = Cage Components
- PC = Playtop Components

## 1 PIECES

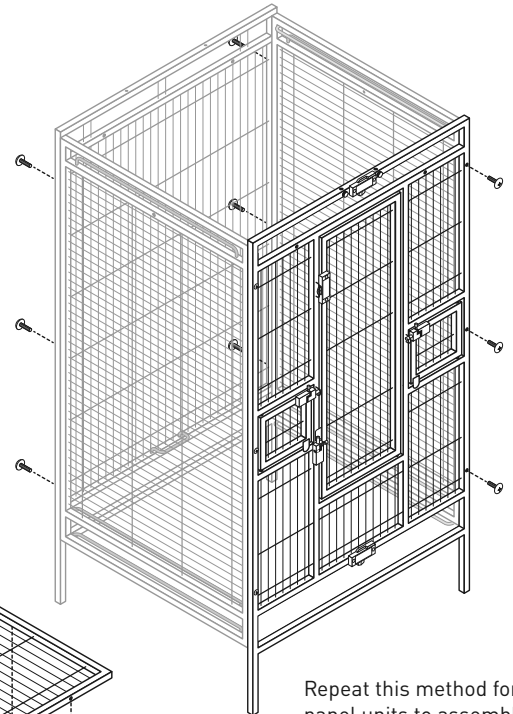


\* In most cases, we recommend two people assemble this cage. 

\* Screws are installed in place. When attaching panels or components, back the screw out, match up the components, and reinsert to attach.

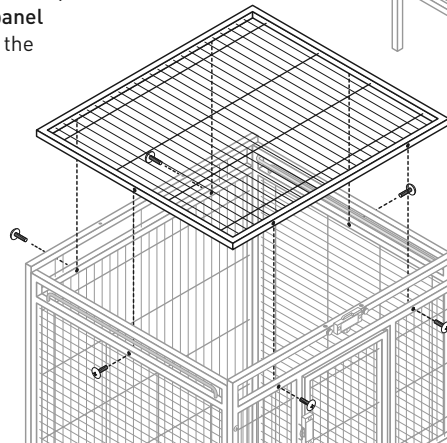


Back the Phillips-head screws out, align the **side panel unit** with the **front panel unit**, and re-tighten the screws to attach.



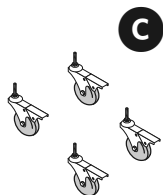
Repeat this method for all panel units to assemble the cage body.

*Note: On the back panel, the small loop should face the interior. This loop helps hold the bottom grille in place.*

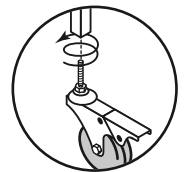
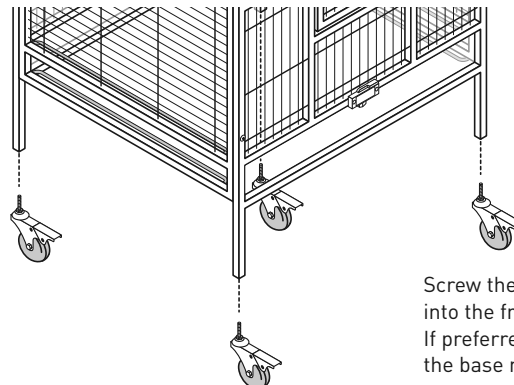


Set the **cage roof grille** in position and attach with Phillips-head screws.

## 2 PIECES

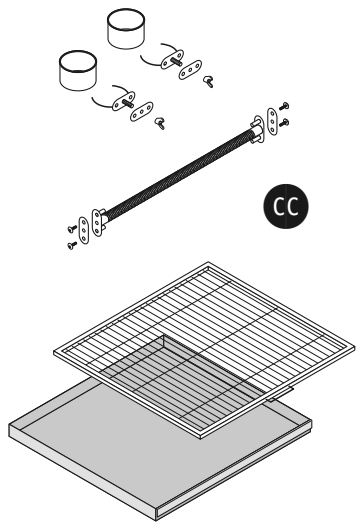


While the **lockable rolling casters** can be added at any point in the assembly, we recommend installing them at this time.

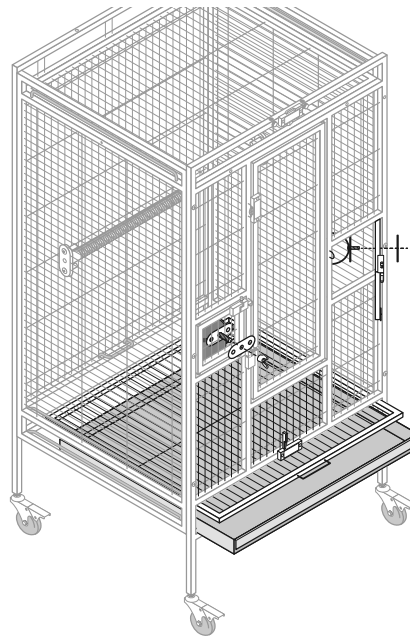
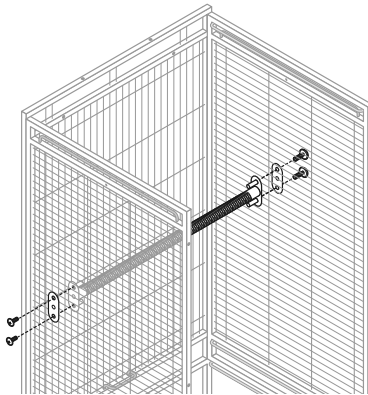


Screw the threaded caster post into the frame leg at each corner. If preferred, tighten each caster by the base nut with a slim wrench.

### 3 PIECES



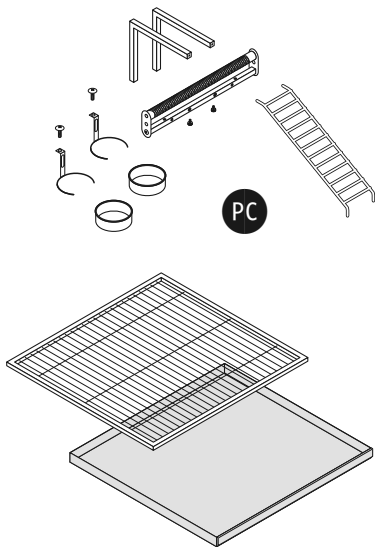
**Perch:**  
Hold the perch in place in the cage interior. On the exterior, align a Phillips-head screw through the bracket, through the cage wire, into the perch bracket. Tighten. Requires four screws to secure the perch bar.



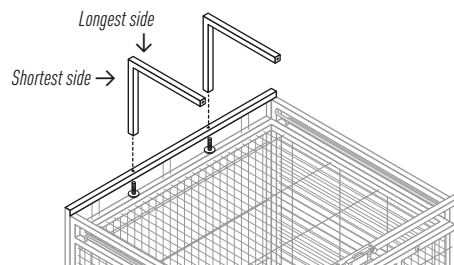
**Cups/cup holders:**  
Open the cup door.  
Insert the screw post on the cup holder through the door mesh, add the bracket on the outside, and tighten to the door with a wing nut.  
Place a deep cup into the holder.

**Grille and tray:**  
Open the grille lock.  
Slide the **grille (with handle)** into the top channel and the **deep tray** into the bottom channel.

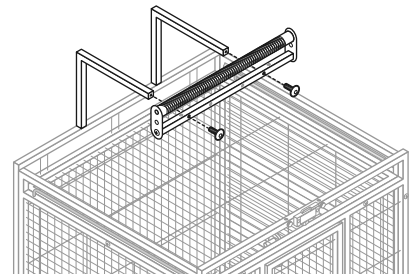
### 4 PIECES



Remove the hex screws from the ends of the perch bar supports. Install the **perch bar supports** on the back panel of the cage.

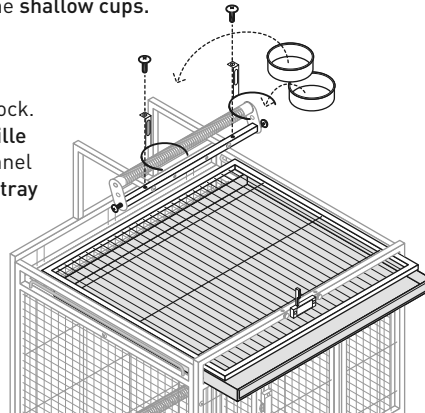


Attach the **perch bar unit** to the support rails with allen-head screws.

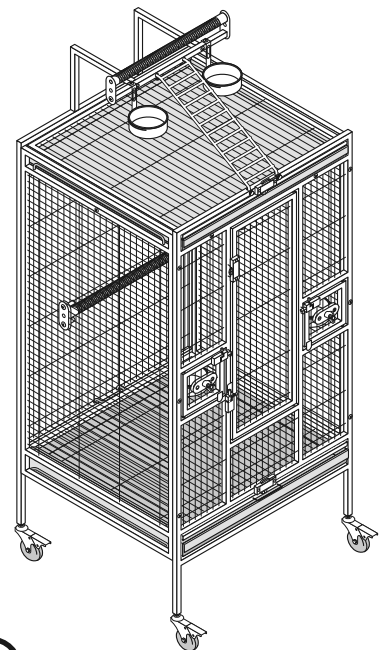
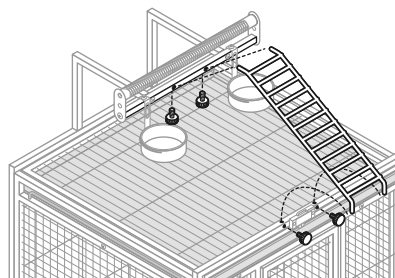


Loosen the perch brace screws and tilt the perch back. Install the cup holder brackets using Phillips-head screws. Rotate the perch back in place and retighten the brace screws. Insert the **shallow cups**.

Open the grille lock. Slide the **thin grille** into the top channel and the **shallow tray** into the bottom channel.



Loosen the knob screws on the perch bar rail and along the cage front. Insert the **ladder** and re-tighten the knob screws.



**\*** When fully assembled, check and tighten ALL screws and wing nuts over the entire cage to ensure a safe and stable home.

Assembly completed. ■