



Owner's Manual
Manuel du Propriétaire
Manual del Propietario
Bedienungsanleitung

Model Name	120V Models	240V Models
Bradley 4 Rack Digital Smoker	BTDS76P	BTDS76CE-EU
Bradley 6 Rack Digital Smoker	BTDS108P	BTDS108CE-EU
The Original Bradley Smoker	BS611*(A-Z)	BS611*(A-Z)
The Original XLT Bradley Smoker	BS815XLT*(A-Z)	BS815XLTCE*(A-Z)
The Bradley Smart Smoker	BS916	BS916CE



Bradley Technologies Canada Inc.

1-866-508-7514

info@bradleysmoker.com

www.bradleysmoker.com

Dear Sir or Madam,

Revolutionary Smoking Technology for Household Chefs

Welcome to the wonderful experience of backyard smoking and slow roast cooking. The Bradley Smoker is an insulated smoker oven designed to automatically generate a continuous flow of clean smoke. It is an outdoor electrical appliance that enables one to cook, roast, hot smoke, as well as cold smoke food with consistently superior results using minimal effort.

The Bradley Smoker is unique in that it produces smoke which is four times cleaner than traditional burn-box chips*. Because it automatically extinguishes the spent bisquette, it prevents the formation of high temperature gases and acids. In addition, the Bradley Smoker meets both North American and European appliance standards.

There are eleven different woods of the Bradley Flavor Bisquettes that are made especially for your smoker: Alder, Apple, Cherry, Hickory, Maple, Mesquite, Oak, Pecan, Pacific Blend, Special Blend and Whisky Oak. For recipes ideas, please have a look on the enclosed recipes booklet and on our website: www.bradleysmoker.com.

We also suggest you try our Bradley Recipe Collection, Flavor Cures, Bradley Jerky Racks, Bradley Original Racks, Sausage Hooks, Weather Guard Covers, Caps, Aprons, and the Bradley Digital Thermometer with meat probe that takes all the guesswork out of roasting and smoking meat.

I wish you great cooking and smoking for the years to come.

Sincerely,



Wade Bradley

**Based on studies and tests performed at The British Columbia Institute of Technology.*

Important Safety Warnings

Please Save These Instructions

Read All Instructions Before Use

Basic Safety Precautions

- Carefully read through assembly instructions to prepare smoker for use.
- Do not touch hot surfaces. Use handles or knobs.
- To protect against electric shock, do not immerse cord or plugs in water or other liquids.
- Close supervision is necessary when any appliance is used by or near children.
- Unplug from outlet when not in use and before cleaning. Allow to cool before putting on or taking off parts.
- Do not operate any appliance with a damaged cord or plug or after the appliance malfunctions or has been damaged in any manner.
- The use of accessory attachments is not recommended by the appliance manufacturer. May cause injuries.
- Do not modify your smoker from its original state.
- Do not let cord hang over edge of table or counter, or touch hot surfaces.
- Do not place on or near a hot gas or electric burner or in a heated oven.
- Extreme caution must be used when moving an appliance containing hot oil or other hot liquids.
- Always attach plug to appliance first, then plug into the wall outlet. To disconnect, turn all controls to “off”, then remove plug from wall outlet.
- Do not use appliance for other than intended use.

- Do not use any other type of wood other than Bradley Flavor Bisquettes®.
- Lift and move smoker with care to prevent strains and back injuries.
- Use caution when reaching into or around smoker.
- It is recommended that a fire extinguisher be placed near the smoker. Refer to your local authority to determine proper size and type of fire extinguisher.
- Longer detachable power supply cords or extension cords are available and may be used if care is exercised in their use.
- If a longer detachable power supply cord or extension cord is used, the marked electrical rating of the cord set or extension cord should be at least as great as the electrical rating of the appliance.
- The cord should be arranged so that it will not drape over the counter-top or tabletop where it can be pulled on by children or tripped over unintentionally.
- If an extension cord is required, the cord must be an approved heavy duty cord not over 1.85 m (6 feet) long.
- Outdoor extension cords should be used with outdoor use products and are surface marked with the suffix letter “W” and with a tag stating “Suitable for use with outdoor appliances”.
- CAUTION: risk of electric shock. Keep extension cord connection dry and off the ground.
- Properly dispose of all packaging.
- Use caution when assembling, operating, handling or cleaning your smoker as some edges on the metal parts may be sharp.

Carefully read through Assembly Instructions to prepare smoker for use

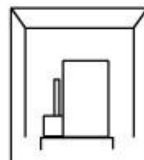
USE OUTDOORS ONLY

Carbon Monoxide Hazard Warning

- Burning wood gives off carbon monoxide, which may cause death.
- **DO NOT** burn wood chips inside homes, vehicles, tents, garages or any enclosed areas.
- Use only outdoors where it is well ventilated.
- This appliance is not intended for use by persons (including children) with reduced physical, sensory or mental capabilities, or lack of experience and knowledge, unless they have been given supervision or instruction concerning use of the appliance by a person responsible for their safety.
- Children should be supervised to ensure that they do not play with the appliance.
- During use the appliance becomes hot. Care should be taken to avoid touching heating elements inside the oven.
- **WARNING:** The appliance and its accessible parts may become hot during use.
- This appliance can be used by children aged from 8 years and above and persons with reduced physical, sensory or mental capabilities or lack of experience and knowledge if they have been given supervision or instruction concerning use of the appliance in a safe way and understand the hazards involved. Cleaning and user maintenance shall not be made by children without supervision.
- Steam cleaner is not to be used.
- Do not plug in the smoker until it is fully assembled.

When in Use

- Do not leave unattended.
- Do not cover or seal the racks or drip tray with aluminum foil. This can cause severe damage to your smoker.
- Do not move smoker when in use.
- Do not exceed a temperature of 140 °C (280 °F).
- Always wear oven mitts or gloves to protect hands from burns. Do not wear loose clothing or allow hair to hang freely.
- Do not use packaging box to cover the smoker.
- Use only approved grounded electrical outlet.
- Do not allow rainwater to come in contact with smoker at any time. Place unit under center of 3 x 3 x 2.5 m (118 x 118 x 100 inches) shelter.
- To avoid smoke and carbon monoxide, do not use product indoors, use in a well-ventilated area. ,
- To avoid electric shock hazard, please use under a shelter or gazebo. Do not use during an electrical storm or in windy conditions. Do not use when raining.
- Do not use near gasoline or other flammable liquids, gases, or where flammable vapors may be present.
- Do not immerse in water.



Empty drip bowl every 2 to 3 hours of burnt wood bisquettes and refill with fresh water

After Each Use

- Unplug smoker when it is not in use. See “Maintenance Procedures” section.
- Place extinguished Bradley Flavor Bisquettes® at a safe distance from all structures and combustible materials.

- Store the smoker in a dry covered place out of reach of children.
- Clean out any grease. Grease build up may cause fire.
- Do not steam clean this appliance.

Save these Instructions General Maintenance

Refer to the External Components List & Internal Components List Diagrams

Important Safety Precautions

- The Bradley Smoker must be maintained and cleaned after each use.
- Unplug the Long Power Cord prior to commencement of any maintenance or cleaning.
- Do not immerse smoker in water.
- Do not spray inside of smoker with any kind of appliance cleaner.
- Do not cover or seal the Racks or Drip Tray with aluminum foil. This can cause severe damage to your smoker.
- Do not leave unattended when in use.
- Do not spray or clean the smoker with excessive amounts of water. Instead use a damp cloth.

Maintenance Procedures

- Use caution when handling and cleaning your smoker as some metal edges may be sharp.
- Clean out the Drip Bowl. Dispose of all burnt Bisquettes carefully as they may still be hot.
- Wash the Drip Tray, Racks, Bottom Rectangular Tray and Drip Bowl with

hot water and dish detergent or put them in the dishwasher.

- Remove food particles and grease residue from the smoker. If the inside needs cleaning, wipe it with a damp cloth.

• Note: The tower should have smoke or black residue on the inside. The more residues, the better the product will taste.

- The Smoke Generator should be kept clean and free of wood chips and grease at all times. If loose wood chips have collected in the Smoke Generator, simply blow or vacuum these particles away.
- Unplug the Long Power Cord before removing the Smoke Generator from the Smoke Tower. Refer to “To remove Smoke Generator” in “Assembly instructions”.
- The Bisquettes Burner should be lightly scraped using a wire brush or scraper to remove any residue that has been left by the burning process.

- Clean the Damper (at the top of the Smoker) to ensure it is not stuck.
- Wipe the Door Seal with warm water and dish detergent to remove any leftover residues and food particles.

After Cleaning

- Replace Racks, Drip Tray, Bottom Rectangular Tray and Drip Bowl into the smoker, making sure all parts are clean and dry.
- Insert the Smoke Generator back into the Smoke Tower.
- Make sure the Long Power Cord is unplugged.

Trouble Shooting

No Power To Smoker

Check that all plugs are correctly and firmly inserted into sockets. Check fuse (located on smoke generator). Check to make sure the outlet, Ground Fault Circuit Interrupter (GFCI), has not been tripped.

Bisquettes Will Not Advance

Check the drive guide and clear all loose wood chips. By cleaning the smoke generator, Bisquette jamming and undue wear and tear can be avoided.

Bisquettes Will Not Burn Completely

Check to see if other electrical equipment is plugged into the circuit. The smoker should be plugged into its own dedicated wall circuit. Check to make sure the Bisquettes burner is free of residue build up.

Smoker Oven Not Reaching Temperatures

Allow smoker oven time to preheat. Remember, once food is put in the oven, the temperature will drop, and slowly rise again. Try closing the Damper slightly and keeping the smoker out of the wind. Next, try using a separate thermometer inside the smoker oven to ensure the temperature is reading correctly.

Note: Normal cooking temperature is between 95-120 °C (200-250 °F). Keep in mind that the temperature shown on the display is for reference only and is not intended to give exact internal temperatures of the food. The internal temperature will be higher closer to the Heat Element.

If you need further advice, please call our Customer Service (1-866-508-7514).

Assembly Instructions

The Original Bradley Smoker (BS611, BS611EU, BS815XLT & BS815XLTCE)

4-Rack Digital Smoker (BTDS76P & BTDS76CE-EU)

6-Rack Digital Smokers (BTDS108P & BTDS108CE-EU)

For the 4 and 6-Rack Digital Smokers, please refer to the corresponding sections.
Refer to Part Numbers in External Components List, Internal Components List and Electrical Connection Set Up

How to Assemble The Original Bradley Smoker®

1. Remove smoker from box.
2. Take all packaged parts out of smoker.
3. Remove all protective packaging materials from parts.

Install Smoke Dial Generator:

- Attach Smoke Dial Generator (1) to the Smoker Tower (2).
- Aim the Bisquettes Burner (F) toward the tower opening.
- Align Smoke Dial Generator key holes to smoker tower locating supports (3).
- Secure the Smoke Dial Generator by pushing down firmly.
- Insert the feeder tube (4) on top of the smoke dial generator and push down firmly then load it with the desired number of Bradley Flavor Bisquettes®.
- Plug the Short Power Cord (E - not shown) from the Smoke Dial Generator into the Smoker Tower.

Set Up Smoker Tower:

- Place Racks (C) onto side supports.
- Place Drip Tray (B) “V” facing down beneath the Racks on the brass side pins.

- Place the Rectangular Tray (J) on the bottom of the Smoker.
- Fill the Drip Bowl (D) half full of water and place in the center of the Rectangular Tray to catch burnt Bisquettes. During a long smoking period, empty and refill your water bowl every 2 hours.
- Plug the Long Power Cord (A) for the smoke generator into an approved grounded electrical outlet.

To Remove Smoke Dial Generator:

- Unplug Short Jumper Cord (E).
- Detach smoke dial generator from the smoker tower by raising the Smoke Dial Generator gently upward and pull it outward.

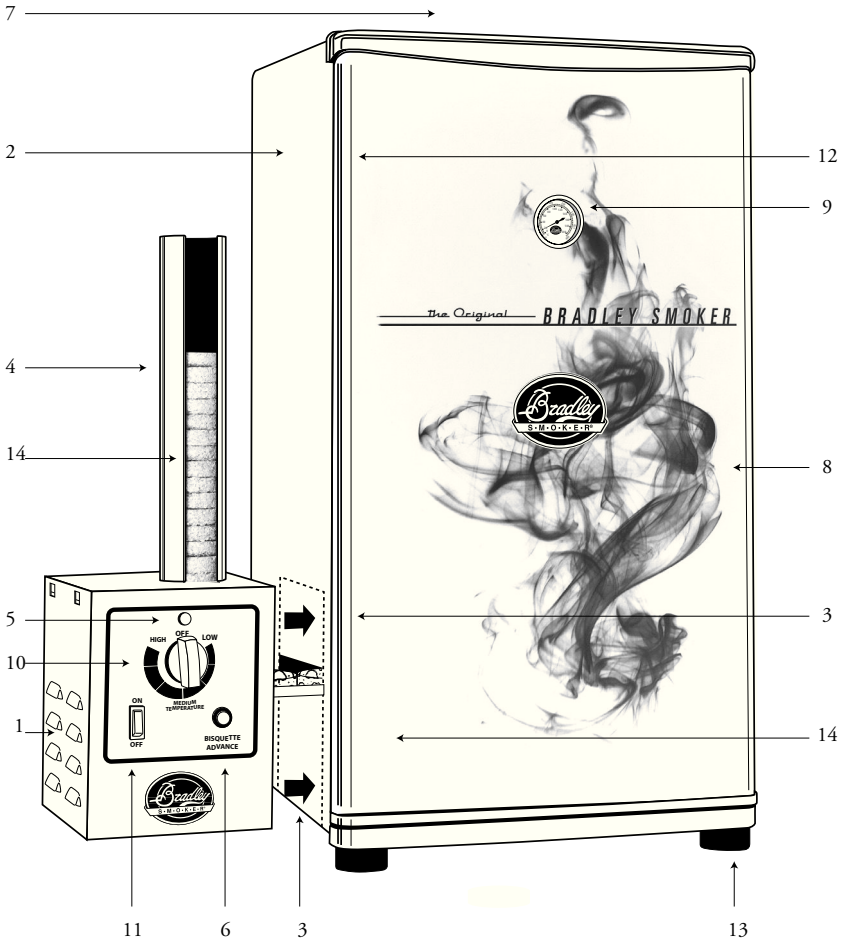
Handling of Packaging

All packaging should be discarded as per the regulations in your area. The box can be used only to store smoker when not in use. The box should not be used as a cover when smoker is in use.

The Original Bradley Smoker®

(BS611, BS611EU, BS815XLT & BS815XLTCE)

External Components List



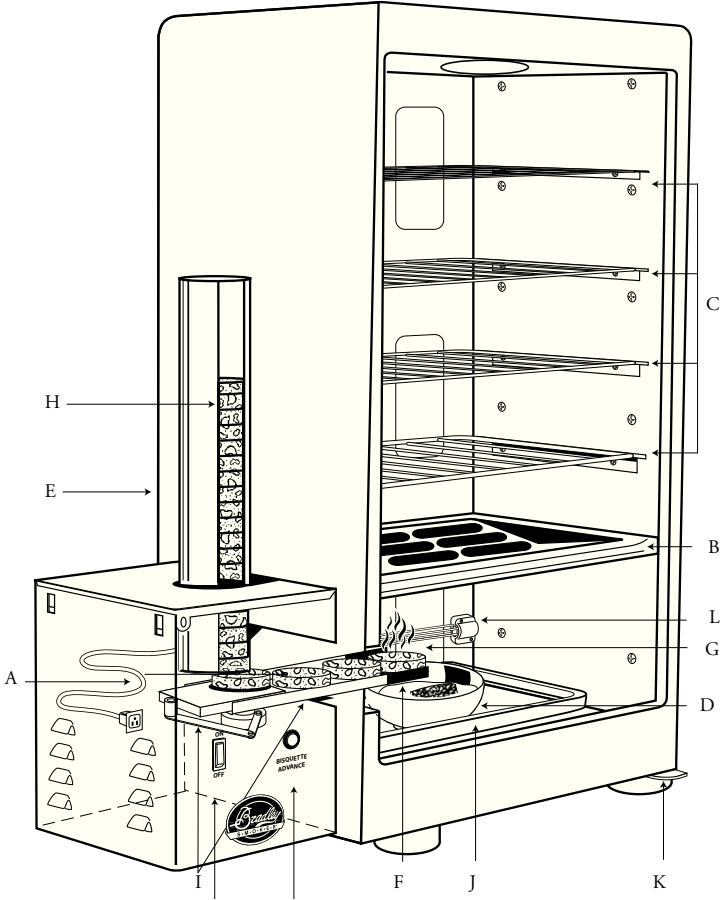
External Parts List

- | | |
|------------------------------------|--|
| 1. Smoke Dial Generator | 8. Door |
| 2. Smoker Tower | 9. Thermometer |
| 3. Generator Supports | 10. Temperature Heat On/off Control Dial |
| 4. Feeder Tube | 11. Generator On/Off Switch |
| 5. Smoke Generator Indicator Light | 12. Door Seal |
| 6. Bisquette Advance Button | 13. Rubber Feet |
| 7. Damper with handle (not shown) | 14. Bisquette (not included with smoker) |

The Original Bradley Smoker®

(BS611, BS611EU, BS815XLT & BS815XLTCE)

Internal Components List



Internal Parts List

- | | |
|---|--------------------------------------|
| A) Long Power Cord | G) 500 Watt Heating Element |
| B) Drip Tray | H) Flavor Bisquettes® (not included) |
| C) Cooking Racks | I) Drive Guide |
| D) Drip Bowl | J) Bottom Rectangular Tray |
| E) Short Power Cord (not shown)
Connects Generator | K) Door Hinge |
| F) Bisquette Burner | L) Porcelain Holder |

Operating Guidelines

The Original Bradley Smoker

(BS611, BS611EU, BS815XLT & BS815XLTCE)

Refer to the External Components List Diagram

Seasoning & Preparation For Use

Seasoning the Bradley Smoker® is an ongoing process, the more you use it, the better tasting your foods will be.

Seasoning is mainly to remove the impartial smells from your smoker. The smell of your new Bradley Smoker® is not necessarily how you want your food to taste.

Seasoning Method:

- Clean Racks, Drip Tray, Drip Bowl and Rectangular Tray and place in smoker.
- Fill the Drip Bowl half full of water.
- Load the Feeder Tube with 5 Bisquettes. The 2 extra Bisquettes are meant to push the final Bisquette onto the Burner. These last 2 Bisquettes will not advance onto the Burner.
- *Note: each Bisquette burns for 20 minutes.*
- Open the Damper at the top of the Smoker Tower.
- Plug smoker into its own designated outlet.
- Turn on the Smoke Generator by pressing the Generator On/Off Switch (11).
- Pre-heat Bisquette Burner for 20 minutes.
- Press Bisquette Advance Button (6) until a Bisquette is on the Bisquette Burner (F).
- Turn on the smoker by rotating the temperature heat on/off control dial (10) to medium (about the 6 o'clock position). Wait for 20 to 30 minutes. The Thermometer (9) should read 66°C (150°F). If it is higher, bring down the temperature by rotating the temperature heat On/Off control dial to the 3 o'clock position and vice versa until the temperature reads 66°C (150°F).
- Smoke the tower continuously at 66°C (150°F) for 1 hour, or until Bisquettes are out.
- Your Smoker will be seasoned having reached 66°C (150°F) and smoked in for 1 hour.

Getting Started

- After seasoning the smoker, refill the Drip Bowl half full of water.
- Turn on the Smoke Generator by pressing the Generator On/Off switch (11) this pre-heats the Bisquette burner.
- When the Smoker Generator Indicator Light (5) is on, this means the Generator has power.
- Press the Bisquette Advance Button (6) to push a Bisquette onto the Bisquette burner (F).

Note: After the advance button has been pressed, a new cycle will start, (or) in approximately 20 minutes the next Bisquette will advance.

- Pre-heat oven to the desired temperature you want to cook at.
 - Place your food onto the cooking racks and load them into the smoker.
 - Set the damper at the desired opening. Do not close the damper all the way when the smoke is running.
 - You may need to adjust the Heat On/off Control Dial to reach the desired temperature as per the door thermometer.
- Cold Smoke:* use the smoke generator only. Unplug the Short Power Cord.
- Hot Smoke:* the smoke generator and temperature heat on/off control dial will be on.
- Note: The thermometer will only read the air temperature inside the tower. To get a more accurate temperature of the food being smoked, use a meat thermometer. Keep in mind that the ambient temperature will affect the cooking temperature of the smoker.*

“ Remember to clean your smoker after each use.”

Assembly Instructions

4-Rack Digital Smoker (BTDS76P & BTDS76CE-EU)

6-Rack Digital Smokers (BTDS108P & BTDS108CE-EU)

For The Original Bradley Smoker Assembly Instructions, see page 6

Refer to Part Numbers in External Components List, Internal Components List and Electrical Connection Set Up

How to Assemble the Bradley Digital Smoker®

1. Remove smoker from box.
2. Take all packaged parts out of smoker.
3. Remove all protective packaging.

Install Digital Smoke Generator:

- Attach Digital Smoke Generator (1) to the Smoker Tower (2) by placing the Bisquette Burner (E) through the left side opening of the tower. Align the generator keyholes to the two supports (3) on the side and push down to secure in position.
- Insert the feeder tube (4) into the top of the smoke generator. Push down firmly. Load with desired number of Bradley Flavor Bisquettes®.

Electrical Connection Set Up (see page 13)

- Plug the Sensor Cable (1) into the back of the Smoke Generator Sensor Receptacle (A) and Smoker Tower Sensor Receptacle (B).
- Plug the Short Power Cord (2) into the back of the Smoke Generator Female Receptacle (D) and then into the back of the Smoker Tower Male Receptacle (C) - push firmly.

- Plug the Long Power Cord (3) into the power receptacle (E).

Set Up Smoker Tower:

- Place Racks, either four or six (B) onto side supports.
- Place Drip Tray (A) “V” facing down beneath the Racks on the brass side pins and under pin (I).
- Place the Rectangular Tray (D) on the bottom of the Smoker.
- Fill the Drip Bowl (C) half full with water and place in the center of Rectangular Tray (D) to catch burnt Bisquettes. During a long smoking period, the Drip Bowl will require changing the water.
- Plug the Long Power Cord (3) from the Smoke Generator into an approved grounded electrical outlet (4).

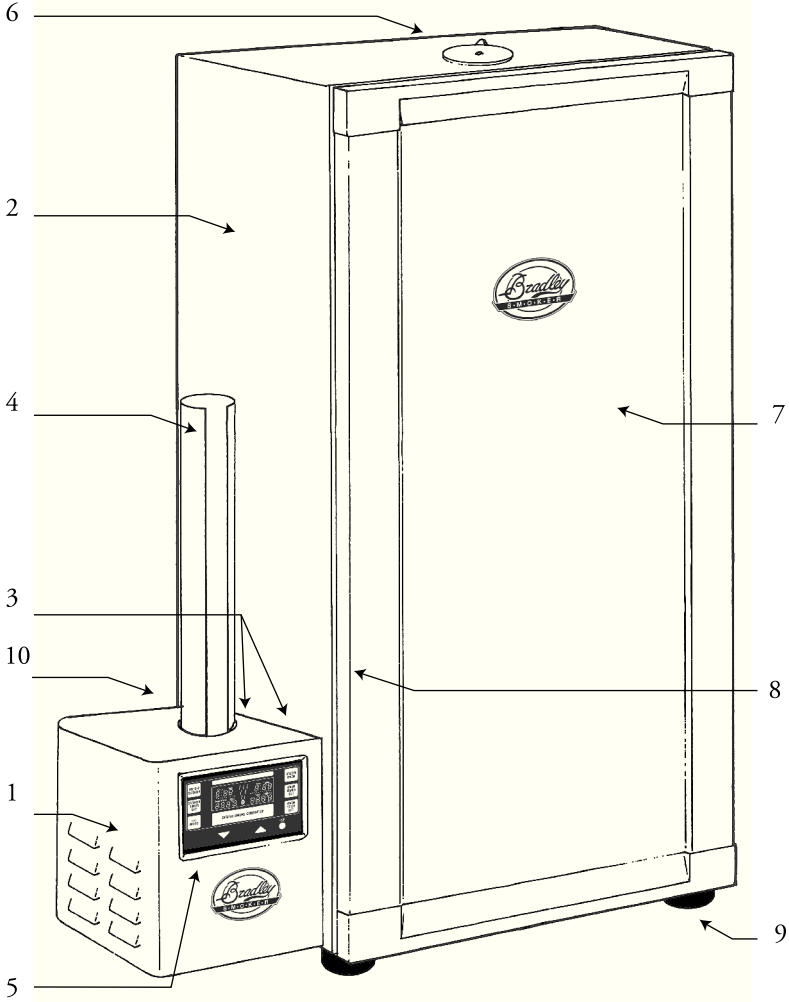
To Remove Smoke Generator (see page 13)

Make sure the Smoke Generator has had time to cool down. Unplug Long Power Cord (3) from the wall outlet (4) and from the Smoke Generator (E). Detach Sensor Cable (1) and Short Power Cord (2) and then remove Smoke Generator from the Smoker Tower by raising it gently upward and pulling it outward.

The Bradley Digital Smoker®

(BTDS76P, BTDS76CE-EU,
BTDS108P & BTDS108CE-EU)

External Components List



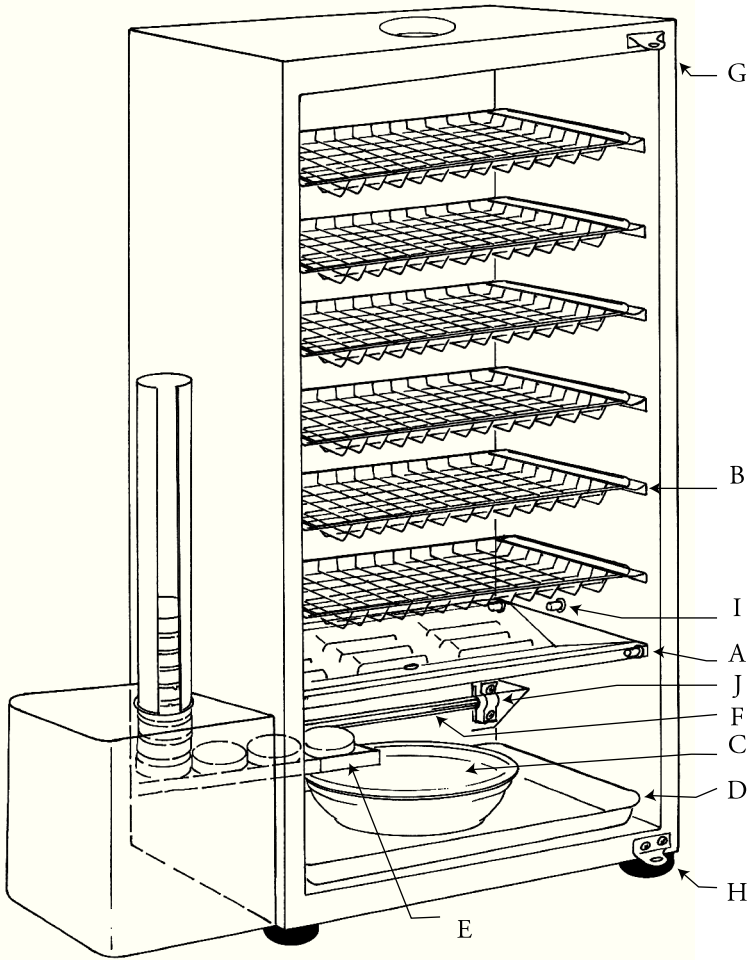
Exterior Parts List

- | | |
|-----------------------------------|---|
| 1. Digital Smoke Generator | 6. Damper |
| 2. Smoke Tower | 7. Door |
| 3. Generator Supports (not shown) | 8. Door Seal |
| 4. Feeder Tube | 9. Rubber Feet |
| 5. Digital Display Panel | 10. Sensor Cable, Short Power Cord &
Long Power Cord (not shown) |

The Bradley Digital Smoker®

(BTDS76P, BTDS76CE-EU,
BTDS108P & BTDS108CE-EU)

Internal Components List



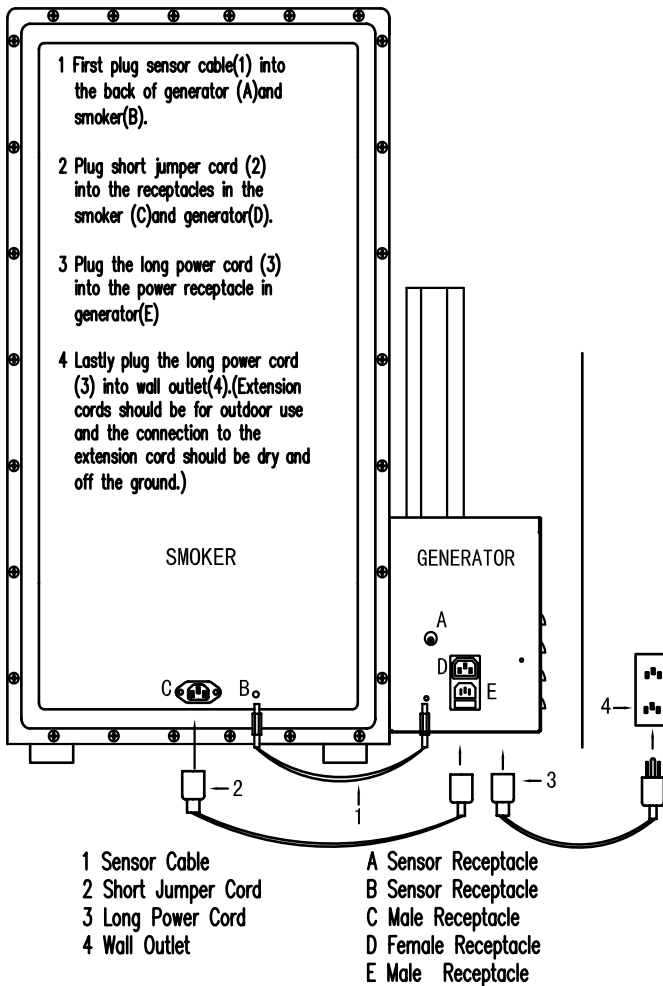
Internal Parts List

- | | |
|----------------------------|------------------------|
| A) Drip Tray | F) Heating Element |
| B) Cooking Racks (4 or 6) | G) Top Door Hinge |
| C) Drip Bowl | H) Lower Door Hinge |
| D) Bottom Rectangular Tray | I) Brass Pin |
| E) Bisquette Burner | J) Porcelain Insulator |
| (Bisquettes not included) | |

ELECTRICAL CONNECTION SET UP

After mounting Generator on side of Smoker

(IN THIS ORDER)



CAUTION

TO ENSURE CONTINUED PROTECTION AGAINST
RISK OF ELECTRICAL SHOCK CONNECT TO
PROPERLY GROUNDED OUTLET ONLY

CAUTION

DISCONNECT FROM POWER OUTLET
BEFORE CLEANING OR SERVICING

DO NOT IMMERSE/ DO NOT EXPOSE TO RAIN

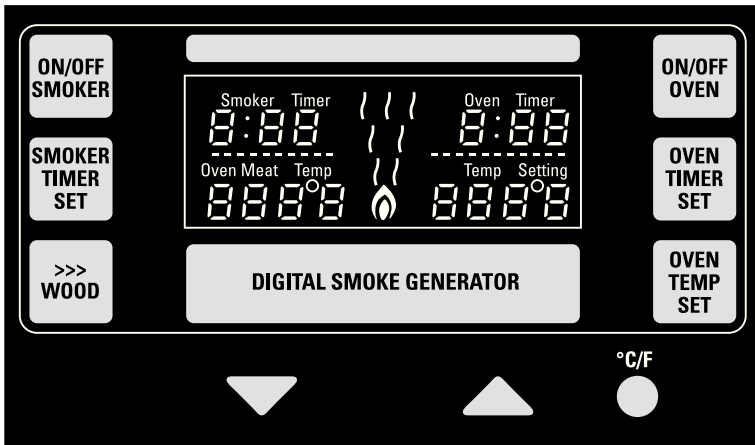
Display Function Guideline

Digital Smoke Generator

- Smoke Generator operated by left side control buttons.
- Press **“On/Off Smoker”** to turn Smoke Generator on.
- Press **“>>> Wood”** to advance Bisquettes onto Burner. Each press advances Bisquette one spot.
- Press **“Smoker Timer Set”** and then “v ^” to desired length of smoking time.
- Press **“Smoker Timer Set”** again to start 20 minute automatic advance.
- Press **“On/Off Smoker”** to turn Smoke Generator off.

Smoker Oven

- Smoker Oven operated by right side control buttons.
- Press **“On/Off Oven”** to turn Smoker Oven on.
- Press **“Oven Temp Set”** and then use “v ^” buttons to set desired temperature.
- Press **“Oven Temp Set”** again to set the temperature.
- Press **“Oven Timer Set”** and then use “v ^” to reach desired length of cooking time.
- Press **“Oven Timer Set”** again to set cooking time.
- Press **“On/Off Oven”** to turn Smoker Oven off.



Display Function

Once the **“On/Off Smoker”** button has been pressed to turn the smoke generator on, the **“Smoker Timer”** display will flash until the desired time has been set. The **“Oven Temp”** will start to read the internal temperature right away. Once the **“On/Off Oven”** button has been pressed to turn the oven on, the **“Oven Timer”** display will flash until the desired cooking time has been set. The **“Temp Setting”** will also flash until the desired temperature has been set.

Press the C/F Button to change the setting from Celsius to Fahrenheit.

Operating Guidelines

for the The Bradley Digital Smokers

BTDS76P, BTDS76CEEU, BTDS108P & BTDS108CEEU)

Refer to part numbers in the External Components List Diagram

Seasoning & Preparation For Use

- Seasoning the Bradley Digital Smoker is an ongoing process, the more you use it, the better tasting the foods will be.
- The Seasoning Process is mainly to remove the impartial smells and flavors from your smoker. The smell of your new Bradley Digital Smoker is not necessarily how you want your food to taste.

Seasoning Method

- Clean Racks, Drip Tray, Drip Bowl and Rectangular Tray and place in smoker.
- Fill the Drip Bowl half full of water.
- Load the Feeder Tube with 5 Bisquettes. Note - Each Bisquette burns for 20 minutes. The 2 extra Bisquettes are meant to push the final Bisquette onto the Burner. These last 2 Bisquettes will not advance onto the Burner.
- Open the Damper slightly at the top of smoker tower.
- Press **“On/Off Smoker”** to turn on.
- Pre-heat the Bisquette Burner for 20 minutes.
- Press **“>>>Wood”** to advance a Bisquette onto the burner.
- Set the **“Smoker Timer Set”** for 1 hour.
- Press **“On/Off Oven”** to turn on.
- Set **“Oven Temp Set”** to 66° C (150° F).
- Set the **“Oven Timer Set”** to 1 hour.

Note: Your smoker will be seasoned having reached 66° C (150° F) and smoked in for 1 hour.

Getting Started (see *“Display Function Guideline”*)

- After seasoning the smoker, refill the Drip Bowl half full with water.
- Load desired amount of Bisquettes into the Feeder Tube.
- Press the **“On/Off Smoker”** to turn the smoke generator on.
- Pre-heat the Bisquette Burner for 20 minutes.
- Press **“>>>Wood”**. Allow time for Bisquette to advance. Repeat this step twice to move a Bisquette onto the burner.
- Press **“Smoker Timer Set”** for length of smoking time.
- Set the Damper to the desired opening. Do not close damper all the way when smoke is running.
- Press the **“On/Off Oven”** to turn smoker oven on.
- Pre-heat the Smoker Oven to the desired temperature you want to cook at.
- Press **“Oven Temp Set”** to set the heat.
- Press **“Oven Timer Set”** to set length of cooking time.
- Place your food onto the Racks and load them into the smoker.
- Empty and refill your water bowl every 2 hours
- Cold Smoke - Use the generator only. Unplug the Short Power Cord (2).
- Hot Smoke - Use the generator and the oven together.

Note: The Digital Display will only read the air temperature inside the tower. To get a more accurate temperature of the food being smoked, use a meat thermometer. Keep in mind that the ambient temperature will affect the cooking temperature of the smoker.

“ Remember to clean your smoker after each use.”

Assembly Instructions

For The Bradley Smart Smoker® with iSmoke Technology®

Model BS 916 and BS 916 CE

Refer to Part Numbers in External Components List Page 17, Internal Components List Page 18 and Electrical Connection Set Up Page 19

How to Assemble the Bradley Smart Smoker®

1. Remove smoker from box.
2. Take all packaged parts out of smoker.
3. Remove all protective packaging.

Install Bluetooth® Smoke Generator:

- Attach Smoke Generator (1) to the Smoker Tower (2) by placing the Bisquette Burner (E) through the left side opening of the tower. Align the generator keyholes to the two supports (3) on the side and push down to secure in position.
- Insert the feeder tube (4) into the top of the smoke generator. Push down firmly. Load with desired number of Bradley Flavor Bisquettes®.

Electrical Connection Set Up (see page 19)

- Plug the Sensor Cable (1) into the back of the Smoke Generator Sensor Receptacle (A) and Smoker Tower Sensor Receptacle (B).
- Plug the Short Power Cord (2) into the back of the Smoke Generator Female Receptacle (D) and then into the back of the Smoker Tower Male Receptacle (C) – push firmly.
- Plug the Long Power Cord (3) into the power receptacle (E).

Set Up Smoker Tower:

- Place Racks, (B) onto side supports.
- Place Bisquette cover (A) above the Bisquette Burner (E). Align the cover keyholes to the three support pins on the side and push down to secure in position.
- Place the Rectangular Tray (D) on the bottom of the Smoker.
- Fill the Drip Bowl (C) 3/4 full with water and place in the center of Rectangular Tray (D) to catch burnt Bisquettes. Empty and refill your water bowl every 2 hours
- Plug the Long Power Cord (3) from the Smoke Generator into an approved grounded electrical outlet (4).

To Remove Smoke Generator (see page 19)

Make sure the Smoke Generator has had time to cool down. Unplug Long Power Cord (3) from the wall outlet (4) and from the Smoke Generator (E). Detach Sensor Cable (1) and Short Power Cord (2) and then remove Smoke Generator from the Smoker Tower by raising it gently upward and pulling it outward.

Warning: Changes or modifications to this unit not expressly approved by the party responsible for compliance could void the user's authority to operate the equipment.

NOTE: This equipment has been tested and found to comply with the limits for a Class B digital device, pursuant to Part 15 of the FCC Rules. These limits are designed to provide reasonable protection against harmful interference in a residential installation. This equipment generates uses and can radiate radio frequency energy and, if not installed and used in accordance with the instructions, may cause harmful interference to radio communications.

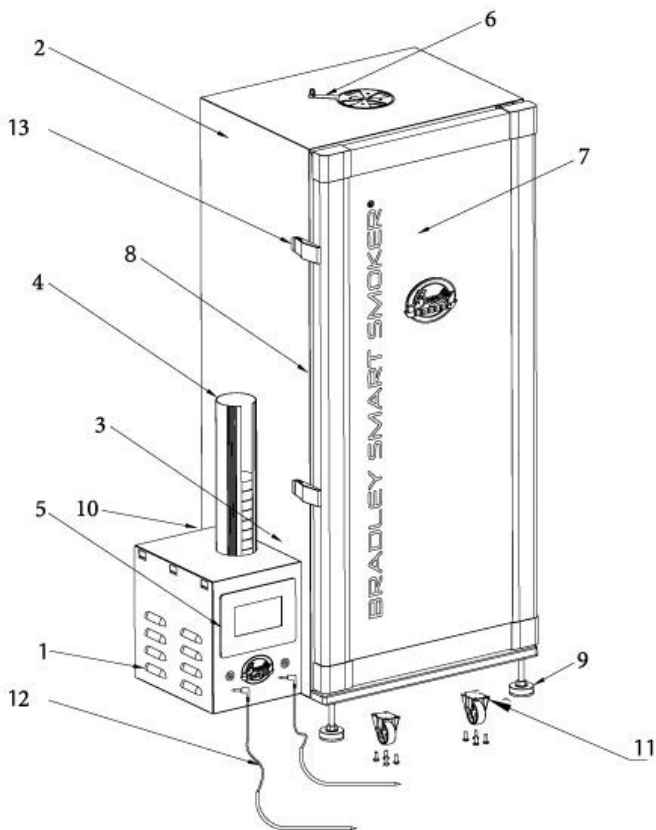
However, there is no guarantee that interference will not occur in a particular installation. If this equipment does cause harmful interference to radio or television reception, which can be determined by turning the equipment off and on, the user is encouraged to try to correct the interference by one or more of the following measures:

- Reorient or relocate the receiving antenna.
- Increase the separation between the equipment and receiver.
- Connect the equipment into an outlet on a circuit different from that to which the receiver is connected.
- Consult the dealer or an experienced radio/TV technician for help.

This device complies with Industry Canada's licence-exempt RSSs. Operation is subject to the following two conditions:

- (1) This device may not cause interference; and
- (2) This device must accept any interference, including interference that may cause undesired operation of the device

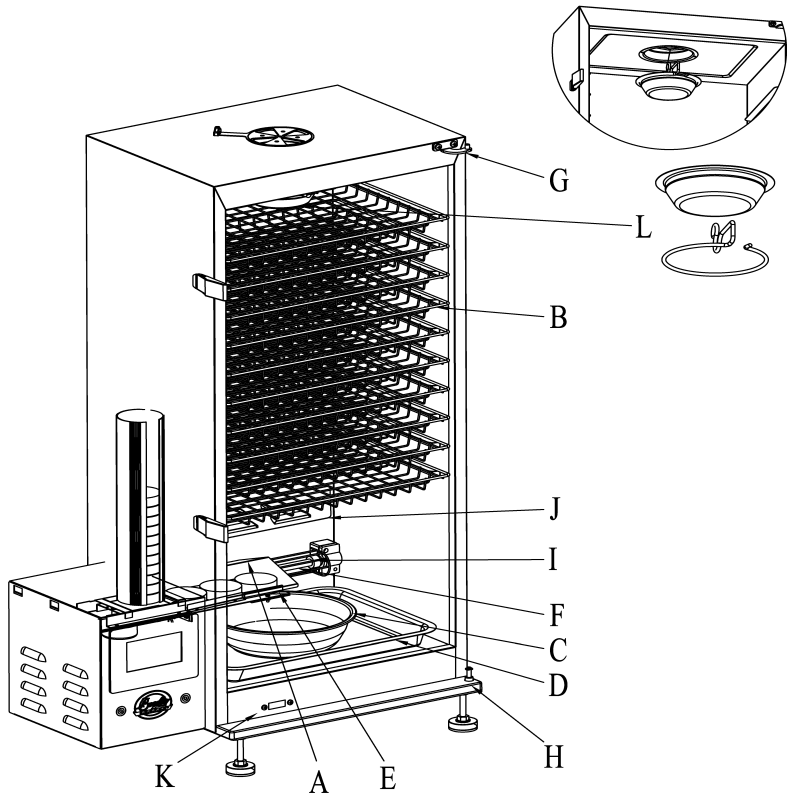
The Bradley Smart Smoker® with iSmoke Technology®
 BS 916 and BS 916 CE
 External Component List



Exterior Parts List

- | | |
|-------------------------------------|--|
| 1. Bluetooth® Smoke Generator | 8. Door Seal (not shown) |
| 2. Smoke Tower | 9. Adjustable Feet |
| 3. Generator Supports (not shown) | 10. Sensor Cable and 2 Power Cord
(not shown) |
| 4. Feeder Tube | 11. Wheels (optional) |
| 5. Bluetooth® Digital Display panel | 12. Meat probes |
| 6. Damper | 13. Door Latches |
| 7. Door | |

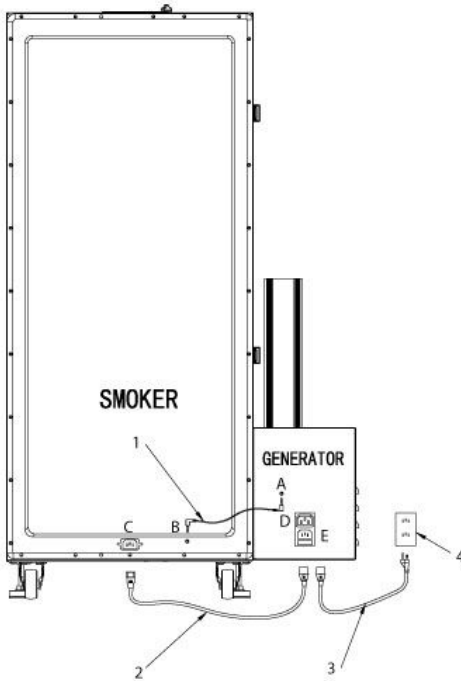
The Bradley Smart Smoker® with iSmoke Technology®
 BS916 and BS916CE
 Internal Components List



Internal Parts List

- | | |
|---|-------------------------------|
| A) Bisquette Cover | F) Heating Element |
| B) Cooking Racks (6 racks included) | G) Top Door Hinge |
| C) Drip Bowl | H) Lower Door Hinge |
| D) Bottom Rectangular Tray | I) Porcelain Insulator |
| E) Bisquette Burner (bisquettes not included) | J) Heater Element Cover |
| | K) Door Safety Switch |
| | L) Condensation bowl and hook |

ELECTRICAL CONNECTION SET UP (After mounting Generator on Side of Smoker) IN THIS ORDER



1. First plug sensor cable (1) into the back of the generator (A) and smoker (B).

2. Plug short jumper cord (2) into the receptacles in the smoker (C) and generator (D).

3. Plug the long power cord (3) into the power receptacle in generator (E).

4. Lastly plug the long cord (3) into a wall outlet (4). (Extension cords should be for outdoor use and the connection to the extension cord should be dry and off the ground).

CAUTION

TO ENSURE CONTINUED PROTECTION AGAINST RISK OF ELECTRICAL SHOCK CONNECT TO PROPERLY GROUNDED OUTLET ONLY

CAUTION

DISCONNECT FROM POWER OUTLET BEFORE CLEANING OR SERVICING
DO NOT IMMERSE / DO NOT EXPOSE TO RAIN

This device complies with Industry Canada licence-exempt RRS standard(s). Operation is subject to the following two conditions: (1) this device may not cause interference, and (2) this device must accept any interference, including interference that may cause undesired operation of the device.

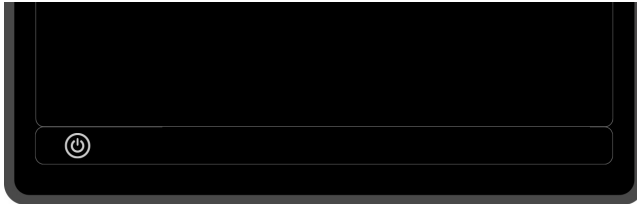
Optimum use of your Bradley Smoker

1. Bradley Smokers are made to cook low and slow. Take your time and plan ahead as your smoker was designed to smoke slowly at a low temperature. By using this method, you will end up with a better taste and aroma.
2. Do not overfill your racks – always leave space to allow for constant airflow, otherwise your smoke will be trapped and won't circulate through the entirety of your unit.
3. To evenly cook or smoke food it is recommended to rotate racks up and down and front to back.
4. Smoking times and temperature will vary based on the following conditions:
 - a) Ambient air temperature
 - b) Amount of product in the smoker
 - c) Internal temperature of whatever you're smoking
 - d) Displayed temperature readings are for reference only
5. NEVER fully close your smoker vent.
6. Empty and refill your water bowl every 2 hours
7. When cooking or smoking foods that are heavy with grease and fat, please place the pie plate or bowl directly under the food to catch as much of the rendering as possible. This will help to keep your Bradley Smoker clean and will extend the life of your smoker. It will also help to prevent the possibility of a grease fire.
8. Always keep your smoker clean to increase the longevity of your unit.

Note: Meat probes cables are not dishwasher safe. Do not submerge the cables or connecting ends into water or liquid of any sort, this will permanently damage them.

Display Function Guideline


After connecting all the cables touch screen will initiate and “On/Off” button will be illuminated at the bottom left hand corner.



Press the illuminated “On/Off” button to start up the generator screen. The Generator screen will go through the animated start screen.



Choose your operating language. (Language selection will happen only very first time you power the smoker on.) There are 15 operating languages to choose from.

Note: If you choose the wrong language, press the statistics button  and you can change the language again.

Display Function Main Screen



The **Touch Screen Display** is divided into three sections:

On the left hand side there are timers and on the right hand side there are temperature controls. At the bottom of the screen there are auxiliary controls. Pressing the Bradley Logo at any time returns to the Main Screen.

Smoke Timer

Touch or press Smoke Time numbers to adjust desired smoking time.

Example: For 3hrs and 30 mins press 0-3-3-0. After 2 seconds the timer will start and the main screen will return. Longest smoke time setting is 9:40 hrs.

Advancing the Bisquette

Touch or press the Smoking Bisquette icon and choose 1 or 2 to advance bisquettes onto burner once or twice respectively. After the Bisquette has advanced the main screen will return.

Oven timer

Touch or press Oven Time numbers to adjust desired cooking time. Example: For 3hrs and 30 mins press 0-3-3-0. After 2 seconds the timer will start and the main screen will return. Longest oven time setting is 9:40 hours.

Setting Oven Temperature

Touch or press Oven Temperature number to adjust desired cooking temperature.

Example: For 249°C press 2-4-9. After 2 seconds the main screen will return. Actual temperature shows the current inside temperature of the oven. Highest oven temperature setting is 160°C / 320°F.

Do not exceed the temperature of 140°C / 280°F

Temperature can be changed between C and F by pressing C and F respectively.

Setting the Temperature Ratings for Meat Probes


There are two color coded temperature probes supplied with Bradley Smart Smoker BS916. Insert the desired color coded probe(s) into the color coded receptacle(s) located below the screen on the generator.


Press Probe Temperature digits and Meat temperature adjustment screen will pop up. Choose the desired setting between two options By Temp or By Pre-set.

Choosing By Temp option will enable you to manually set the desired target internal meat temperature.

Choosing By Pre-set option will enable you to customize the desired target internal temperatures by built-in selection of meats and internal cooking temperature levels.


Auxiliary Display Functions

Child safety lock disables all the touchscreen functions on the generator and the lock turns red.  This will not affect the remote device.

Screen brightness can be adjusted by pressing the brightness icon. 

Temperature can be changed between Fahrenheit and Celsius by pressing F or C icon respectively.

When Bluetooth connection is established the Bluetooth sign will turn blue. 

To view various statistics or change your operating language press the statistics icon. 



Note: If you choose the wrong language, press the statistics button and you can set your language again.

To access the manual for iSmoke Technology, please download the Bradley iSmoke app from iTunes or from the Google Play store.

Operating Guidelines

*For The Bradley Smart Smoker® with iSmoke Technology® Model BS 916 and BS 916 CE
Refer to Part Numbers in External Components List Page 17.*

Seasoning & Preparation For Use

Ideal ambient operating temperature range for your Bradley Smoker is between 4°C to 21°C (40°F to 70°F). Extreme temperatures lower or higher will affect the performance and outcome of the food. Do not store in freezing temperatures.

Seasoning Method

Seasoning the Bradley Smoker® is an ongoing process, the more you use it, the better tasting your foods will be.

- Clean Racks, Bisquette Cover, Drip Bowl and rectangular Tray and place in smoker.
- Fill the Drip Bowl 3/4 full of water.
- Load the Feeder Tube with 5 Bisquettes. The 2 extra Bisquettes are to push the final Bisquette onto the Burner. The last 2 Bisquettes will not advance to the Burner.
- *Note: each Bisquette burns for 20 minutes.*
- Open the Damper at the top of the Smoker Tower.
- Plug smoker into its own designated outlet.
- Turn on the Smoke Generator by pressing the Generator On/Off Button (Page 21).
- Pre-heat Bisquette Burner for 20 minutes.
- Press Bisquette Advance Button until a bisquette is on the Bisquette Burner (E).
- Turn on the smoker (Page 22) and set the temperature to medium about 66°C (150°F). Wait for 20 to 30 minutes.
- Smoke the tower continuously at 66°C (150°F) for 1 hour, or until Bisquettes are out.

- Your Smoker will be seasoned having reached 66°C (150°F) and having produced smoke for 1 hour.

Getting Started

- After seasoning the smoker, refill the Drip Bowl 3/4 of water.
- Turn on the Smoke Generator by pressing the Generator On/Off button. This pre-heats the Bisquette Burner.
- Press the Bisquette Advance Button to push a Bisquette onto the Bisquette burner (E).

Note: After the advance button has been pressed, a new cycle will start, (or) in approximately 20 minutes the next Bisquette will advance.

- Preheat oven to the desired temperature you want to cook at. Place your food onto the cooking racks and load them into the smoker.
- Set the damper at the desired opening. Do not close the damper all the way when the smoke is running, as this could damage the smoke generator
- You may need to adjust the oven temperature to reach the desired set point.

Note: The actual temperature is the air temperature inside the tower. To get a more accurate temperature of the food being smoked, use supplied meat probes (12). Keep in mind that the ambient temperature will affect the cooking temperature of the smoker.

Remember to clean your smoker after each use.

WARRANTY

**The Bradley Smoker carries with it a 1 year limited warranty
against manufacturing defects.**

Requirements and Limitations:

Warranty is effective from the date of purchase. Keep your sales receipt as proof of purchase date. Warranty is limited to repair or replacement of part as determined by Bradley Technologies Inc.

Bradley Technologies Inc. at its discretion will provide a replacement part for any component found by Bradley Technologies Inc. to be defective and shall not be responsible for any re-assembly.

This limited warranty is non-transferable and becomes void if product is used for commercial or rental purposes. Warranty covers manufacturer's defects only. This limited warranty will not reimburse you for the cost of any inconvenience, food, personal injury or property damage.

Warranty is valid only in the country of purchase. Shipping and handling charges are the responsibility of the original consumer/purchaser for all out of warranty parts orders. Serial number of the smoker must be provided on all warranty claims.

Bradley Technologies excludes from its warranty the following:

Defects, damage resulting from accident, abuse, misuse, alteration, improper assembly /installation and vandalism are not covered. Damage resulting from weather conditions including but not limited to hail, hurricanes, tornados, earthquakes, wind, rain or snow are not covered.

Normal wear and tear, chipping and scratching on surface finishes is not covered. Discoloration from exposure to sunlight, heat or chemicals is not covered by this warranty.

Failure to perform regular maintenance, safety checks and service including but not limited to; removal of grease build up resulting in a flash fire, damage caused by grease fires is not covered by this warranty.

To ensure your satisfaction and for follow- up service, register your smoker online at:
www.bradleysmoker.com

For warranty and customer services please call: 1 866-508-7514 (toll free)



Manuel du Propriétaire

pour

Model Name	120V Models	240V Models
Bradley 4 Rack Digital Smoker	BTDS76P	BTDS76CE-EU
Bradley 6 Rack Digital Smoker	BTDS108P	BTDS108CE-EU
The Original Bradley Smoker	BS611*(A-Z)	BS611*(A-Z)
The Original XLT Bradley Smoker	BS815XLT*(A-Z)	BS815XLTCE*(A-Z)
The Bradley Smart Smoker	BS916	BS916CE



Bradley Technologies Canada Inc.

1-866-508-7514

info@bradleysmoker.com

www.bradleysmoker.com

Imprimé en Chine

Mars 2016

Madame, Monsieur,

Technologie de fumage révolutionnaire pour les chefs cuisiniers à la maison

Nous vous souhaitons de bien profiter de l'exceptionnelle expérience du fumage et de la cuisson lente par grillage dans votre propre arrière-cour. Le fumoir Bradley est un four de fumage isolé conçu pour générer automatiquement une circulation continue de fumée propre. Il s'agit d'un appareil électrique conçu pour l'extérieur permettant de cuire, de griller et rôtir ainsi que de fumer à chaud ou à froid des aliments en obtenant chaque fois des résultats supérieurs avec un minimum d'efforts.

Le fumoir Bradley est unique en son genre, car il produit une fumée qui est quatre fois plus propre que celle produite par les copeaux brûlés dans les boîtes de combustion classiques*. Parce que le fumoir éteint automatiquement la bisquette consommée, il évite la formation de gaz et acides libérés à températures élevées. En outre, le fumoir Bradley satisfait à toutes les normes pour les appareils utilisés en Amérique du Nord et en Europe.

Les briquettes de bois aromatiques Bradley Flavor Bisquettes®, fabriquées spécialement pour votre fumoir, sont offertes en 11 essences de bois : aulne, pommier, cerisier, caryer (hickory), érable, mesquite, chêne, caryer pacanier, mélange du Pacifique, mélange spécial et chêne au whisky. Consultez les idées de recettes offertes dans le livret de recettes inclus et sur notre site Web : www.bradleysmoker.com.

Nous vous recommandons également d'essayer notre collection de recettes Bradley, les assaisonnements Bradley, les grilles à viande boucanée (jerky) Bradley, les grilles et supports originaux Bradley, les crochets à saucisses, les housses de protection imperméables, les casquettes et tabliers, et notre thermomètre numérique Bradley avec sonde à viande qui élimine les incertitudes lors de la cuisson et du fumage des viandes.

Je vous souhaite de nombreuses années de plaisir à cuisiner et fumer vos aliments préférés avec notre fumoir intelligent.

Avec mes sincères salutations,



Wade Bradley

**D'après des études et des essais effectués à l'institut de technologie de la Colombie-Britannique (The British Columbia Institute of Technology).*

Importantes consignes de sécurité

Veillez conserver ces instructions

Lisez bien toutes les instructions avant l'utilisation

Précautions de sécurité fondamentales

- Lisez attentivement les instructions de montage pour préparer le fumoir à l'utilisation.
- Ne touchez pas les surfaces chaudes. Utilisez les poignées ou les boutons.
- Pour prévenir les décharges électriques, n'immergez pas les cordons d'alimentation ou les fiches électriques dans l'eau ou autre liquide.
- Exercez une étroite surveillance lorsque vous utilisez quelque appareil que ce soit en présence d'enfants ou lorsque ceux-ci les utilisent.
- Débranchez l'appareil de la prise lorsque vous ne l'utilisez pas ou avant de le nettoyer. Laissez refroidir l'appareil avant d'y fixer ou d'en retirer une pièce.
- Ne faites pas fonctionner un appareil lorsque le cordon ou la fiche sont endommagés, lorsque l'appareil lui-même est endommagé de quelque manière que ce soit ou après un défaut de fonctionnement de l'appareil.
- L'utilisation d'accessoires n'est pas recommandée par le fabricant de l'appareil, car cela peut entraîner des blessures.
- N'apportez pas de modifications à votre fumoir. Laissez-le à l'état d'origine.
- Ne laissez pas le cordon pendre sur le bord de la table ou du comptoir ni entrer en contact avec des surfaces chaudes.

- Ne placez pas l'appareil sur un élément de cuisinière au gaz ou électrique chaud ni dans un four allumé ou à proximité.
- Il faut prendre d'extrêmes précautions en déplaçant un appareil contenant de l'huile chaude ou tout autre liquide chaud.
- Toujours commencer par fixer la fiche à l'appareil avant de brancher le cordon dans la prise murale. Avant de débrancher l'appareil, tournez tous les boutons de commande à la position Arrêt (« OFF »), puis retirez la fiche de la prise murale.
- N'utilisez pas l'appareil pour un autre usage que celui pour lequel il est destiné.
- N'utilisez aucun autre type de bois que les briquettes aromatisées Bradley Flavor Bisquettes®.
- Faites attention en soulevant et déplaçant le fumoir pour éviter foulures et blessures au dos.
- Faites attention lorsque vous déposez ou prenez des aliments dans le fumoir ou lorsque vous vous déplacez autour de celui-ci.
- Nous vous recommandons de placer un extincteur à portée de la main près du fumoir. Vérifiez auprès des autorités locales pour connaître la taille et le type d'extincteur requis.

Lisez attentivement les instructions de montage pour préparer le fumoir à l'utilisation

UTILISER À L'EXTÉRIEUR SEULEMENT

Avertissements relatifs aux dangers liés au monoxyde de carbone

- Brûler du bois produit du monoxyde de carbone, qui peut entraîner la mort.
- **NE PAS** brûler de copeaux de bois à l'intérieur des maisons, des véhicules, des tentes, des garages ou dans tout endroit fermé.
- Utiliser seulement à l'extérieur là où il y a une bonne ventilation.
- Cet appareil n'est pas destiné à l'utilisation par des personnes (incluant les enfants) qui ont des capacités physiques, sensorielles ou mentales réduites ou qui ont un manque d'expérience ou de connaissances, sauf si elles sont supervisées ou si elles ont reçu des instructions relatives à l'utilisation de l'appareil par une personne responsable de leur sécurité.
- Les enfants doivent être supervisés afin d'assurer qu'ils ne jouent pas avec l'appareil.
- L'appareil devient chaud pendant l'utilisation. Une attention doit être portée afin d'éviter de toucher les éléments chauffants à l'intérieur du four.
- **AVERTISSEMENT** : L'appareil et ses pièces accessibles peuvent devenir chauds pendant l'utilisation.
- Cet appareil peut être utilisé par des enfants de 8 ans et plus et des personnes qui ont des capacités physiques, sensorielles ou mentales réduites ou qui ont un manque d'expérience ou de connaissances si elles

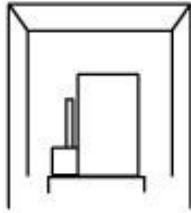
sont supervisées ou si elles ont reçu des instructions relatives à l'utilisation de l'appareil de façon sécuritaire et qu'elles comprennent les risques impliqués. Le nettoyage et l'entretien par l'utilisateur ne doivent pas être effectués par des enfants sans supervision.

- Ne pas utiliser de nettoyeur à vapeur
- Ne pas brancher le fumoir avant qu'il ne soit complètement assemblé.

Pendant l'utilisation

- Ne pas laisser sans surveillance.
- Ne pas couvrir ou sceller les supports ou la plaque d'égouttage avec un papier d'aluminium. Ceci peut causer de sérieux dommages au fumoir.
- Ne pas déplacer le fumoir lorsqu'il est utilisé.
- Ne pas excéder une température de 140 °C (280 °F).
- Toujours porter des gants de cuisine afin de protéger les mains contre les brûlures. Ne pas porter de vêtements amples ou laisser les cheveux pendre librement.
- Ne pas utiliser de boîte d'emballage pour couvrir le fumoir.

- Utiliser seulement des prises électriques approuvées avec mise à la terre.
- Ne pas laisser l'eau de pluie entrer en contact avec le fumoir en tout temps. Placer l'appareil sous le centre d'un abri de 3 x 3 x 2,5 m (118 x 118 x 100 pouces).



- Afin d'éviter la fumée et le monoxyde de carbone, ne pas utiliser le produit à l'intérieur et utiliser dans un endroit bien aéré.

- Afin d'éviter les risques de décharge électrique, veuillez utiliser sous un abri ou un kiosque de jardin. Ne pas utiliser pendant un orage ou dans des conditions venteuses. Ne pas utiliser lorsqu'il pleut.
- Ne pas utiliser à proximité de l'essence ou d'autres liquides ou gaz inflammables ou là où des vapeurs inflammables peuvent être présentes.
- Ne pas immerger dans l'eau.

Videz et remplissez votre bol d'eau toutes les 2 heures

Conservez ces instructions

Entretien général

Consultez les diagrammes accompagnant la Liste des composants externes et la Liste des composants internes

Importantes mesures de sécurité

- Il faut impérativement nettoyer et entretenir le fumoir Bradley après chaque utilisation.
- Débranchez le cordon d'alimentation long avant de commencer le nettoyage ou l'entretien.
- Ne pas immerger le fumoir dans l'eau.
- Ne pas vaporiser l'intérieur du fumoir avec un quelconque produit de nettoyage pour appareils ménagers.
- Ne couvrez pas ou ne scellez pas les grilles ou le plateau d'égouttage avec du papier d'aluminium. Cela peut endommager gravement votre fumoir.
- Ne laissez pas le fumoir sans surveillance pendant qu'il fonctionne.
- Ne pas vaporiser ni nettoyer le fumoir avec de trop grandes quantités d'eau. Il est préférable d'utiliser un chiffon humide.

Procédures d'entretien

- Faites attention lorsque vous manipulez ou nettoyez votre fumoir, car certaines des arêtes des pièces de métal peuvent être acérées.
- Nettoyez la cuvette d'égouttage. Débarrassez-vous avec précautions des bisquettes consommées, car elles peuvent être encore chaudes.
- Lavez le plateau d'égouttage, les grilles, la plaque de fond rectangulaire et la cuvette d'égouttage à l'eau chaude avec du

détergent à vaisselle ou mettez-les au lave-vaisselle.

- Retirez les particules d'aliments et les résidus de graisse du fumoir. Si l'intérieur doit être nettoyé, essuyez-le avec un chiffon humide.
- *Remarque : Il est normal de trouver des résidus de fumée noirs à l'intérieur de l'armoire du fumoir. Plus il y aura de résidus de fumée, plus les aliments auront bon goût.*
- Le générateur de fumée doit être propre et exempt de copeaux de bois et de graisse en tout temps. Lorsque des copeaux de bois s'accumulent dans le générateur de fumée, soufflez-les ou aspirez-les pour les retirer.
- Débranchez le cordon d'alimentation long avant de retirer le générateur de fumée de l'armoire. Consultez la section « Retirer le générateur de fumée » dans les « Instructions d'assemblage ».
- Grattez légèrement le brûleur à bisquettes au moyen d'une brosse d'acier ou d'un grattoir, pour enlever les résidus qui s'y sont déposés à la suite du processus de brûlage.
- Nettoyez le registre de tirage (sur le dessus du fumoir) pour vous assurer qu'il demeure mobile.
- Essuyez le joint d'étanchéité de la porte avec de l'eau chaude et du détergent à vaisselle pour en retirer tout résidu ou particule de nourriture.

Après le nettoyage

- Remettez les grilles, le plateau d'égouttage, la plaque de fond rectangulaire et la cuvette d'égouttage

dans le fumoir après vous être assuré que toutes les pièces sont propres et sèches.

- Remplacez le générateur de fumée dans l'armoire du fumoir.
- Assurez-vous que le cordon d'alimentation long est bien débranché.

Dépannage

Aucun courant n'est détecté dans le fumoir

Assurez-vous que toutes les fiches sont insérées correctement et fermement dans leurs prises respectives. Vérifiez le fusible (situé sur le générateur de fumée). Vérifiez que le disjoncteur de fuite de terre de la sortie électrique n'a pas été déclenché.

vous placerez des aliments dans le four, la température chutera, puis elle s'élèvera graduellement. Essayez de fermer le registre légèrement et de placer le fumoir à l'abri du vent. Servez-vous ensuite d'un thermomètre indépendant pour vérifier si la lecture de la température à l'intérieur du fumoir est correcte.

Les bisquettes n'avancent pas

Vérifiez le guide d'entraînement et retirez tous les copeaux de bois lâches. Nettoyer le générateur de fumée régulièrement permet d'éviter l'enrayage des bisquettes et l'usure prématurée de l'appareil.

Remarque : La température normale de cuisson se situe entre 95 et 120 °C (200 et 250 °F). N'oubliez pas que la température indiquée sur l'affichage est présentée à titre indicatif seulement et qu'elle n'est pas destinée à transmettre la température interne exacte des aliments. La température interne sera plus élevée dans les aliments situés plus près de l'élément chauffant.

Les bisquettes ne se consomment pas complètement

Vérifiez si d'autres équipements électriques sont branchés au même circuit. Le fumoir devrait être branché dans son propre circuit mural indépendant. Assurez-vous qu'il n'y a pas d'accumulation de résidus dans le brûleur à bisquettes.

Pour plus de renseignements à ce sujet, veuillez appeler notre service à la clientèle 1-866-508-7514.

Le four du fumoir n'atteint pas les températures voulues

Respectez le temps de préchauffage du four du fumoir. N'oubliez pas que lorsque

Instructions pour l'assemblage

Le Fumoir Original Bradley

(Modèles: BS611 ; BS611EU ; BS815XLT et BS815XLTCE)

Pour le fumoir noir, voir page 5; pour les fumoirs digitaux avec 4 et 6 grilles, voir page 13

*Reportez-vous aux numéros de pièces dans la liste de composants
externes internes et des connexions électrique mises en place*

Assemblage du fumoir Bradley Original®

1. Sortez le fumoir de son emballage.
2. Sortez toutes les pièces emballées du fumoir.
3. Enlevez tout emballage protecteur des éléments.

Installation du générateur de fumée :

- Fixer le générateur de fumée (1) sur l'armoire du fumoir (2).
- Insérez le brûleur de Bisquettes (F) dans l'armoire du fumoir.
- Alignez les encoches en forme de trous serrure du générateur de fumée aux supports (3) de l'armoire du fumoir.
- Attachez le générateur de fumée en appuyant fermement vers le bas.
- Insérez le tube d'alimentation (4) sur le haut du générateur de fumée en appuyant fermement vers le bas puis insérez le nombre souhaité de Bradley Flavour Bisquettes.
- Branchez le petit cordon d'alimentation (E - non illustré) entre le générateur de fumée et l'armoire de fumée.

Configuration de l'armoire du fumoir :

- Placez les grilles (C) sur les supports latéraux.
- Placez le bac récepteur (B) "V" orienté vers le bas sous les grilles, sur les goupilles latérales en laiton.
- Placez la plaque rectangulaire (J) en bas du fumoir.
- Remplissez le bol récepteur (D) à

moitié d'eau et placez-le au centre du plateau rectangulaire du bas pour récupérer les Bisquettes brûlées. Lors d'une longue période de fumage, videz et remplissez votre bol d'eau toutes les 2 heures

- Branchez le long cordon d'alimentation (A) du générateur de fumée sur une prise de terre homologuée.

Retrait du générateur de fumée :

- Débranchez le cordon court d'alimentation (E).
- Séparez le générateur de fumée de l'armoire du fumoir en soulevant délicatement le générateur de fumée et en le tirant vers l'extérieur.

Manipulation de l'emballage :

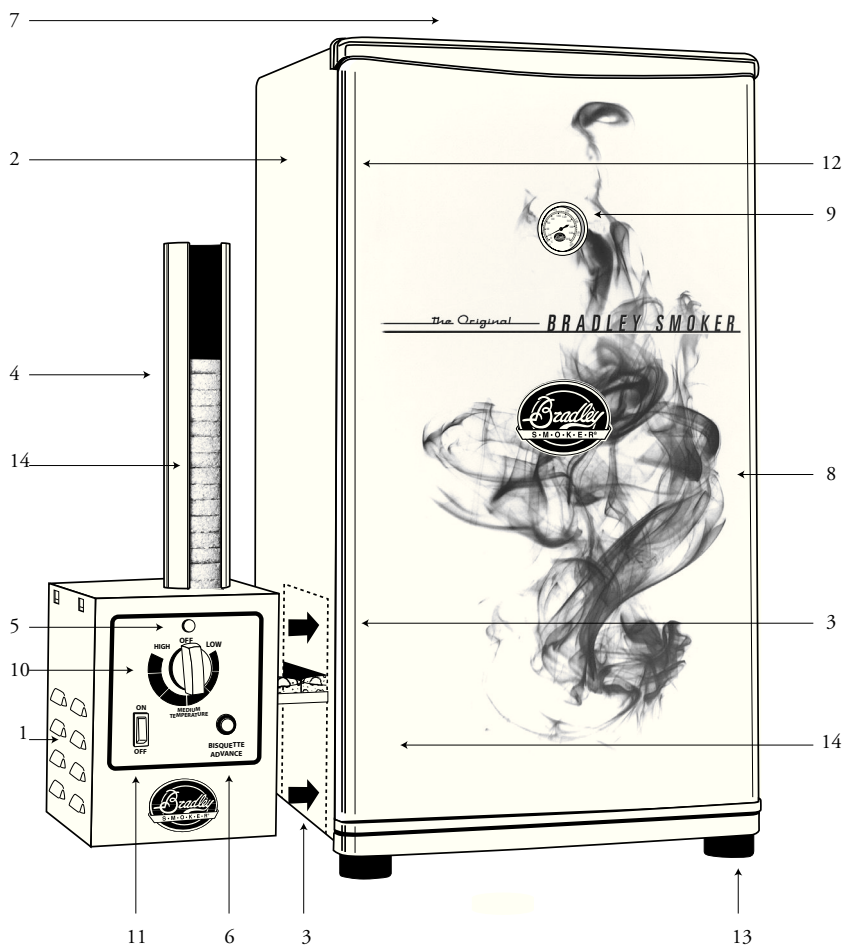
Tous les emballages doivent être jetés conformément à la réglementation dans votre région.

La boîte ne peut être utilisée que pour ranger le fumoir lorsqu'il n'est pas utilisé. La boîte ne doit pas être utilisée comme couvercle lorsque le fumoir est en cours d'utilisation.

Le Fumoir Bradley Original

(BS611 ; BS611EU ; BS815XLT et BS815XLTCE)

Liste des composants externes

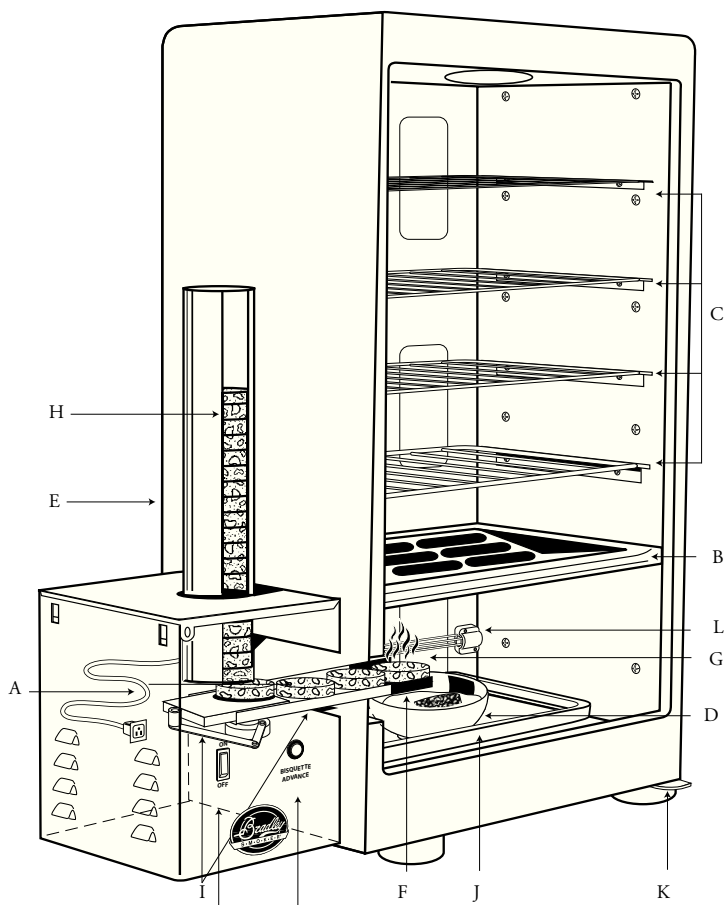


1. Générateur de fumée
2. Armoire du fumoir
3. Supports du generateur
4. Tube d'alimentation
5. Voyant lumineux du générateur de fumée
6. Bouton d'avancée de Bisquettes
7. Étuve avec poignée (non illustré)
8. Porte
9. Thermomètre
10. Bouton du commande "On/Off" du thermostat
11. Interrupteur marche/arrêt "On/Off" du générateur
12. Charnière de porte
13. Pieds en caoutchouc
14. Bisquettes (non livrées avec le fumoir)

Le Fumoir Bradley Original

(BS611 ; BS611EU ; BS815XLT et BS815XLTCE)

Liste des composants internes



Liste des pieces internes

- | | |
|--|--|
| A) Cordon d'alimentation | G) Résistance de chauffage de 500 watt |
| B) Bac récepteur | H) Flavour Bisquettes (no incluses) |
| C) Grilles | I) Couloir d'alimentation |
| D) Bol récepteur | J) Plaque rectangulaire |
| E) Conecteur (non illustré) raccordant le générateur | K) Charnière de porte |
| F) Brûleur de Bisquettes (Bisquettes non incluses) | L) Support en porcelaine |

Directives pour le fonctionnement

Fumoir Original Bradley

(BS611 ; BS611EU ; BS815XLT et BS815XLTCE)

Reportez-vous aux numéros de pièces dans la liste de composants externes internes et des connexions électrique mise en place.

Assaisonnement et mise en place

L'assaisonnement du fumoir Bradley Smoker® est un processus continu ; plus le fumoir est utilisé et meilleur sera le goût des aliments. L'assaisonnement consiste principalement à éliminer les odeurs de votre fumoir neuf. L'odeur de neuf n'est pas nécessairement l'odeur que vous souhaitez retrouver dans vos aliments.

Méthode d'assaisonnement

- Nettoyez les grilles, le bac récepteur, le bol récepteur et la plaque rectangulaire et placez-les dans le fumoir.
- Remplissez le bol récepteur à moitié d'eau.
- Placez 5 Bisquettes dans le tube d'alimentation. Les deux Bisquettes supplémentaires ont pour but d'amener la Bisquette finale sur le brûleur. Ces deux dernières Bisquettes n'avanceront pas sur le brûleur. *Remarque : chaque Bisquette brûle pendant 20 minutes.*
- Ouvrez légèrement l'étuve située sur le haut de l'armoire du fumoir.
- Branchez le fumoir.
- Mettez le générateur de fumée en marche en appuyant sur le bouton marche/arrêt (on/off) du générateur (12).
- Préchauffez le brûleur de Bisquettes pendant 20 minutes.
- Pressez sur le bouton d'avance des Bisquettes (6) jusqu'à ce qu'une Bisquette soit placée sur le brûleur de Bisquettes (F).
- Mettez le fumoir en marche en déplaçant le bouton de commande du thermostat (10) sur la position intermédiaire. Attendez 20 à 30 minutes. Le thermomètre (9) doit atteindre la température de 66 °C (150 °F). Tirez le bouton de commande du thermostat vers la gauche pour diminuer la température et vers la droite pour augmenter la température.
- Procédez à un fumage continu dans l'armoire à 66 °C (150 °F) pendant une heure ou jusqu'à ce que les 3 Bisquettes soient consommées.
- Le fumoir est prêt à l'emploi lorsqu'il a atteint 66 °C (150 °F) et que le fumage a duré une heure.

Mise en route

- Après avoir assaisonné le fumoir, remplissez le bol récepteur à moitié d'eau.
- Mettez le générateur de fumée en marche en appuyant sur le bouton de marche/arrêt (on/off) du générateur (12).
- Quand le voyant lumineux du générateur de fumée (5) est allumé, cela signifie que le générateur est sous tension.
- Appuyez sur le bouton d'avance des Bisquettes (6) pour pousser une Bisquette sur le brûleur de Bisquettes (F).
Remarque : un nouveau cycle démarre lorsqu'on appuie sur le bouton d'avance des Bisquettes, ou toutes les 20 minutes, lorsqu'une nouvelle Bisquette avance sur le brûleur.
- Préchauffez le four à la température de cuisson désirée.
- Hors du fumoir, placez les aliments sur les grilles et disposez-les dans le fumoir.
- Réglez l'ouverture de l'étuve sur la position souhaitée. Ne la fermez pas complètement quand un fumage est en cours.
- Déplacez le bouton de commande du thermostat jusqu'à la température souhaitée, selon l'indication du thermomètre sur la porte du fumoir.

Fumage à froid utilisez uniquement le générateur de fumée. Débranchez le câble servant de bretelle de raccordement.

Fumage à chaud le générateur de fumée et le bouton de commande du thermostat sont en marche.

Remarque : le thermomètre indique la température à l'intérieur de l'armoire. Pour obtenir plus précisément la température des aliments en cours de fumage, utilisez un thermomètre de cuisson pour la viande. N'oubliez pas que la température ambiante affecte la température interne du fumoir.

N'oubliez pas de nettoyer le fumoir après chaque utilisation.

Instructions d'assemblage

Le Fumoir numérique Bradley à 4 et 6 grilles

(BTDS76P, BTDS76CE-EU, BTDS108P et BTDS108CE-EU)

Pour le Fumoir Black Bradley ou le Fumoir Bradley Original
référez-vous aux sections dédiées.

*Reportez-vous aux schémas des composants externes et internes et à la section concernant les
raccordements électriques ci-après.*

Assemblage du fumoir Original Bradley®

1. Sortez le fumoir de son emballage.
2. Sortez toutes les pièces emballées du fumoir.
3. Enlevez tout emballage protecteur des éléments.

Installation du générateur de fumée :

- Fixez le générateur de fumée (1) sur l'armoire du fumoir (2) en emboîtant le brûleur de Bisquettes (F) dans l'ouverture latérale gauche armoire du fumoir.

- Alignez les encoches en forme de trous serrure du générateur de fumée (dial) aux 2 supports (3) de l'armoire du fumoir.

- Attachez le générateur de fumée en appuyant fermement vers le bas.

- Insérez le tube d'alimentation (4) sur le haut du générateur de fumée en appuyant fermement vers le bas puis insérez le nombre souhaité de Bradley Flavour Bisquettes.

Configuration des raccordements électriques :

- Branchez le câble du capteur (sensor cable) (1) à la prise du générateur de fumée (A) et du fumoir (B).

- Branchez le cordon court servant de bretelle de raccordement (2) à l'arrière du générateur de fumée avec prise femelle (D) à la prise du générateur de fumée à l'arrière de l'armoire du fumoir avec prise male (C) – et appuyez fermement.

- Branchez le cordon d'alimentation (3) sur la prise d'alimentation (E).

Configuration de l'armoire du fumoir :

- Placez les grilles (B) sur les supports latéraux.

- Placez le bac récepteur (A), "V" orienté vers le bas, sous les grilles, sur les goupilles latérales en laiton (I).

- Placez la plaque rectangulaire (D) en bas du fumoir.

- Remplissez le bol récepteur (C) à moitié d'eau et placez-le au centre du plateau rectangulaire du bas pour récupérer les Bisquettes brûlées. Lors d'une longue période de fumage, veillez à remplacer l'eau du bol récepteur toutes les 2-3 heures.

- Branchez le long cordon d'alimentation électrique (3) du générateur de fumée sur une prise de terre homologuée (4).

Comment séparer le générateur de fumée :

- Assurez-vous que le générateur de fumée ait refroidi.

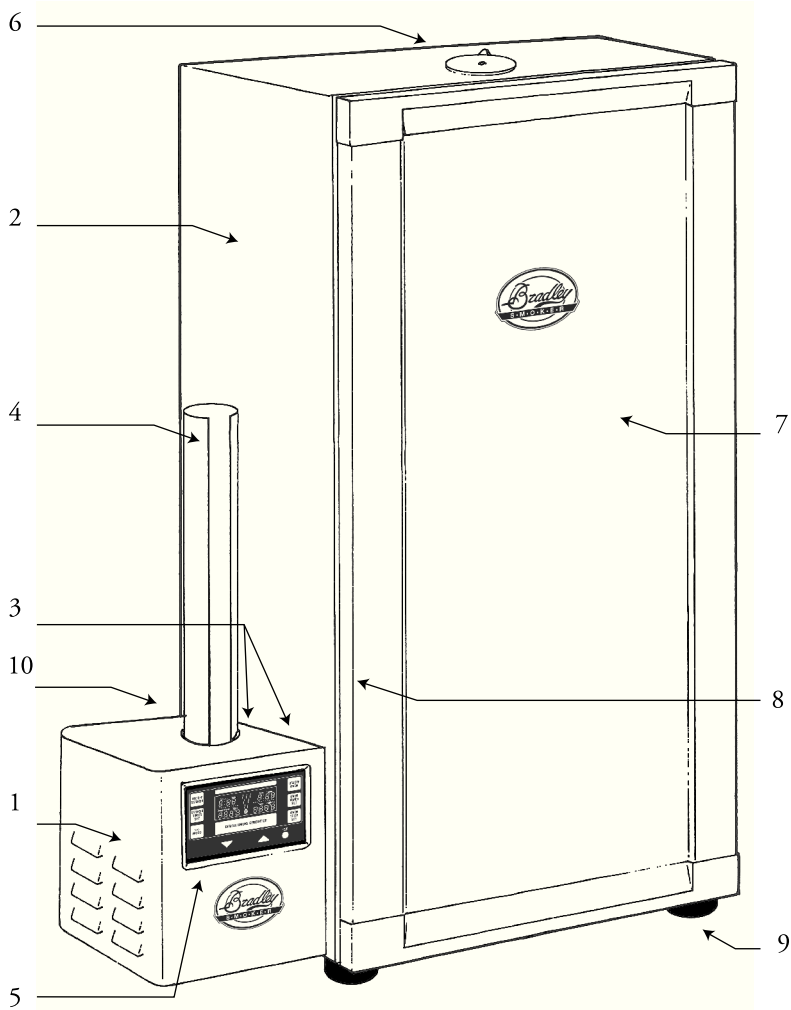
- Débranchez le cordon court d'alimentation (E) et le câble connecteur.

- Débranchez le câble du capteur (1) et le cordon court servant de bretelle de raccordement (2).

- Séparez le générateur de fumée de l'armoire du fumoir en soulevant délicatement le générateur de fumée et en le tirant vers l'extérieur.

Le Fumoir Numériques Bradley® (BTDS76P, BTDS76CE-EU, BTDS108P et BTDS108CE-EU)

Liste des composants externes



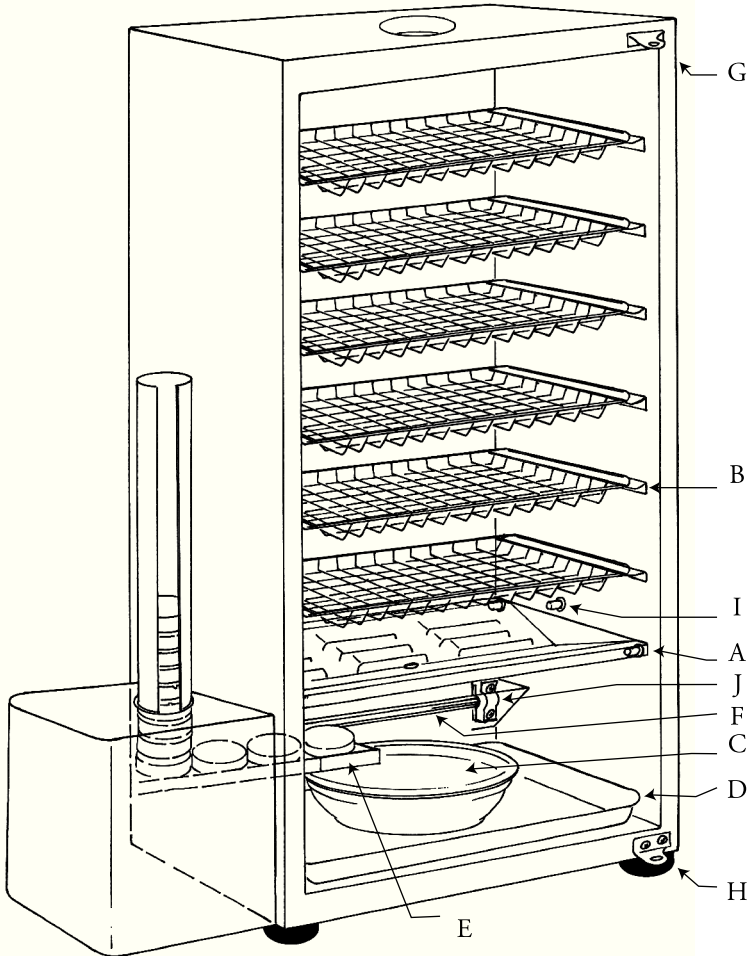
1. Générateur numérique du fumoir
2. Armoire de fumoir
3. Supports du générateur (non illustrés)
4. Tube d'alimentation.
5. Affichage numérique
6. Étuve

7. Porte
8. Joint de porte
9. Pieds en caoutchouc
10. Câble du capteur, cordon court servant de bretelle de raccordement et cordon d'alimentation électrique long (non illustré)

Les Fumeurs Numériques Bradley®

(BTDS76P et BTDS76CE-EU, BTDS108P et BTDS108CE-EU)

Liste des composants internes



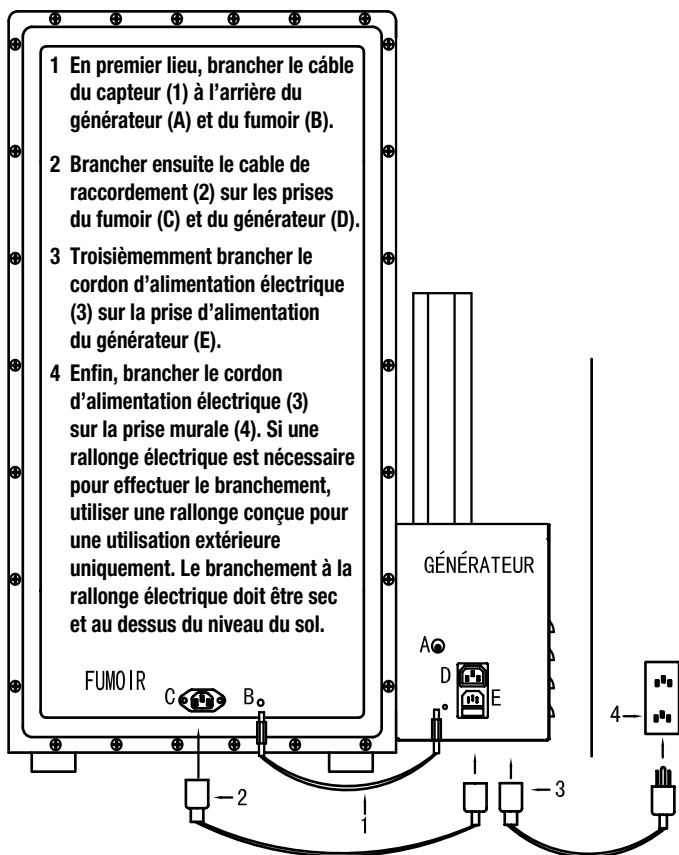
- A) Bac récepteur
- B) Grilles (4 ou 6)
- C) Bol récepteur
- D) Plateau rectangulaire
- E) Brûleur de bisquettes
(Bisquettes non incluses)

- F) Résistance de chauffage
- G) Charnière supérieure de la porte
- H) Charnière inférieure de la porte
- I) Goupille en laiton
- J) Isolateur en porcelaine

CONFIGURATION DES RACCORDEMENTS ÉLECTRIQUES

Après montage du générateur sur le côté du fumoir

(DANS L'ORDRE INDIQUÉ)



- | | |
|-------------------------------------|---|
| 1. câble capteur | A. Prise du capteur (générateur) |
| 2. cordon de raccordement | B. Prise du capteur (fumoir) |
| 3. cordon d'alimentation électrique | C. Prise pour cordon de raccordement au générateur (mâle) |
| 4. Prise murale | D. Prise pour cordon de raccordement au fumoir (femelle) |
| | E. Prise du cordon d'alimentation électrique (mâle) |

ATTENTION

POUR ASSURER UNE PROTECTION CONTINUE CONTRE LE RISQUE DE CHOC ÉLECTRIQUE BRANCHER À UNE PRISE DE COURANT CORRECTEMENT MISE À LA TERRE SEULEMENT

ATTENTION

DÉBRANCHER DE LA PRISE DE COURANT AVANT DE NETTOYER OU POUR L'ENTRETIEN

NE PAS IMMERGER / NE PAS EXPOSER À LA PLUIE

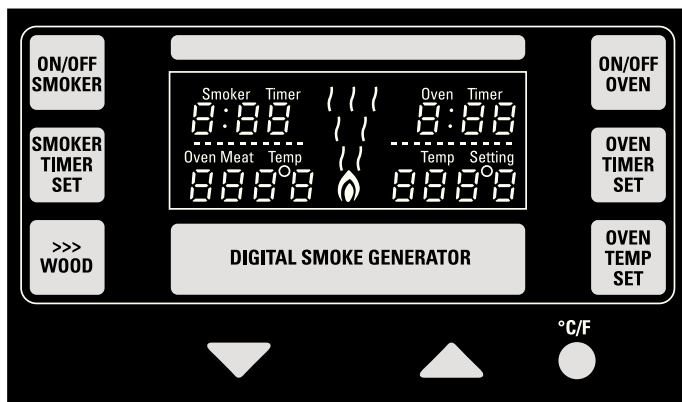
Guide des fonctions affichées

Générateur de fumée numérique

- Générateur de fumée commandé par des boutons de commande sur le côté gauche.
- Appuyer sur « **Fumoir marche/arrêt** » pour mettre le générateur de fumée en marche.
- Appuyer sur « >>> **Bois** » pour faire avancer les Bisquettes sur le brûleur.
- Appuyer sur « **Réglage de la minuterie du fumoir** », puis sur les boutons « v ^ » jusqu'à obtention de la durée souhaitée du temps de fumage.
- Appuyer de nouveau sur « **Réglage de la minuterie du fumoir** » pour faire débiter 20 minutes d'avance automatique.
- Appuyer sur « **Fumoir marche/arrêt** » pour mettre le générateur de fumée à l'arrêt.

Four du fumoir

- Four du fumoir commandé par des boutons de commande sur le côté droit.
- Appuyer sur « **Four marche/arrêt** » pour mettre le four du fumoir en marche.
- Appuyer sur « **Réglage de la température du four** » puis sur les boutons « v ^ » jusqu'à obtention de la température souhaitée.
- Appuyer de nouveau sur « **Réglage de la température du four** » pour régler la température.
- Appuyer sur « **Réglage de la minuterie du four** », puis sur les boutons « v ^ » jusqu'à obtention de la durée souhaitée du temps de cuisson.
- Appuyer de nouveau sur « **Réglage de la minuterie du four** » pour régler la durée de cuisson.
- Appuyer sur « **Four marche/arrêt** » pour mettre le four du fumoir à l'arrêt.



Affichage des fonctions

Une fois que l'on a appuyé sur le bouton « **Fumoir marche/arrêt** » pour mettre le générateur de fumée en marche, l'affichage « **Minuterie du fumoir** » clignote jusqu'à ce que la durée souhaitée ait été configurée. L'indicateur « **Température du four pour la viande** » commence immédiatement à lire la température interne. Une fois que l'on a appuyé sur le bouton « **Four marche/arrêt** » pour mettre le four en marche, l'affichage « **Minuterie du four** » clignote jusqu'à ce que la durée de cuisson souhaitée ait été configurée. L'affichage « **Réglage de la température** » clignote aussi jusqu'à ce que la température souhaitée ait été configurée.

Appuyer sur le bouton C/F pour passer des degrés Celsius aux degrés Fahrenheit.

Guide de fonctionnement

pour le BTDS76P, BTDS76CE-EU, BTDS108P et BTDS108CE-EU

- Le Fumoir Digital Bradley

Reportez-vous aux numéros de pièces dans la liste de composants externes

Apprêt et préparation à l'emploi

- L'apprêt du fumoir numérique Bradley Smoker® est un processus continu, à savoir, plus on utilise le fumoir et meilleur est le goût des aliments.
- L'apprêt consiste principalement à éliminer les odeurs et les saveurs impartiales du fumoir. L'odeur de votre fumoir neuf Bradley Smoker® n'est pas nécessairement celle que vous souhaitez retrouver dans le goût de vos aliments.

Méthode d'apprêt

- Nettoyer les grilles, la plaque d'égouttage, la cuvette d'égouttage et la plaque rectangulaire et placer ces éléments dans le fumoir.
- Remplir la cuvette d'égouttage à moitié avec de l'eau.
- Placer 5 Bisquettes dans le tube d'alimentation. Remarque : chaque Bisquette brûle pendant 20 minutes. Les deux Bisquettes supplémentaires ont pour but de pousser la Bisquette finale sur le brûleur. Ces deux dernières Bisquettes n'avancent pas sur le brûleur.
- Ouvrir légèrement le registre situé au sommet de l'armoire du fumoir.
- Appuyer sur « **Fumoir marche/arrêt** » pour mettre en marche.
- Appuyer sur « >>>Bois »
- Régler la minuterie du fumoir « **Réglage de la minuterie du fumoir** » sur une (1) heure.
- Appuyer sur « **Four marche/arrêt** » pour mettre en marche.
- Configurer « **Réglage de la température du four** » à **66 °C (150 °F)**.
- Configurer « **Réglage de la minuterie du four** » sur une (1) heure.

Remarque : le fumoir est apprêté lorsqu'il a atteint 66 °C (150 °F) et que le fumage a duré une heure.

Mise en route (voir « Guide des fonctions affichées »)

- Après avoir apprêté le fumoir, remplir la cuvette d'égouttage à moitié avec de l'eau.
- Charger le nombre souhaité de Bisquettes dans le tube d'alimentation.
- Appuyer sur « **Fumoir marche/arrêt** » pour mettre le générateur de fumée en marche.
- Appuyer sur « >>>Bois ». Attendre que la Bisquette avance. Recommencer cette étape deux fois pour placer une Bisquette sur le brûleur.
- Appuyer sur « **Réglage de la minuterie du fumoir** » pour configurer la durée de fumage.
- Placez les aliments sur les grilles et les charger dans le fumoir.
- Régler l'ouverture du registre à la position souhaitée. Ne pas fermer complètement le registre quand le fumage est en cours.

Appuyer sur « **Four marche/arrêt** » pour mettre le four du fumoir en marche.

Appuyer de nouveau sur « **Réglage de la température du four** » pour régler la température.

Appuyer sur « **Réglage de la minuterie du four** » pour régler la durée de cuisson.

Vider la cuvette d'égouttage toutes les deux à trois heures lorsque les Bisquettes brûlent et la remplir d'eau douce.

- Fumage à froid utiliser uniquement le générateur de fumée. Débrancher le cordon court servant de bretelle de raccordement (2).
- Fumage à chaud utiliser ensemble le générateur et le four.

Remarque : l'affichage numérique indique seulement la température de l'air à l'intérieur de l'armoire. Pour obtenir plus précisément la température des aliments en cours de fumage, utiliser un thermomètre de cuisson pour la viande. Il faut se rappeler que la température ambiante affecte la température de cuisson du fumoir.

« **Se rappeler qu'il faut nettoyer le fumoir après chaque utilisation.** »

Instructions d'assemblage

Fumoir intelligent Bradley Smart Smoker® avec technologie iSmoke®

Modèles BS916 et BS916 CE

Référez-vous aux numéros de pièces de la Liste des composants externes, page 18, de la Liste des composants internes, page 19, et de la Configuration des connexions électriques, page 20.

Comment assembler le fumoir intelligent Bradley Smart Smoker®

1. Retirez le fumoir de son emballage.
2. Retirez du fumoir toutes les pièces emballées séparément.
3. Enlevez tous les emballages protecteurs.

Installation du générateur de fumée Bluetooth® :

- Fixez le générateur de fumée (1) à l'armoire du fumoir (2) en insérant le brûleur à bisquettes (E) dans l'ouverture sur le côté gauche de l'armoire. Alignez les ouvertures en forme de trous de serrure du générateur avec les deux supports (3) sur le côté de l'armoire et poussez vers le bas pour le fixer en place.
- Insérez le tube d'alimentation (4) dans la partie supérieure du générateur de fumée. Enfoncez-le fermement vers le bas. Chargez le nombre voulu de briquettes Bradley Flavor Bisquettes®.

Configuration des connexions électriques

- Branchez le câble capteur (1) à l'arrière du capteur du générateur de fumée (prise A) et dans le capteur de l'armoire du fumoir (prise B).
- Branchez le cordon d'alimentation court (2) dans la prise femelle à l'arrière du générateur de fumée (D) et ensuite dans la prise mâle à l'arrière de l'armoire du fumoir (C) – enfoncez fermement.

- Branchez le cordon d'alimentation long (3) dans la prise d'alimentation électrique du générateur (E).

Configuration de l'armoire du fumoir :

- Déposez les grilles (B) sur les supports latéraux.
- Placez le protège-bisquettes (A) au-dessus du brûleur à bisquettes (E). Alignez les ouvertures en forme de trous de serrure sur les trois goupilles de support sur le côté, et enfoncez vers le bas pour fixer en place. Déposez la plaque rectangulaire (D) au fond du fumoir. Remplissez la cuvette d'égouttage (C) aux trois quarts (3/4) avec de l'eau et posez-la au centre de la plaque rectangulaire (D) pour recevoir les bisquettes consommées. Videz et remplissez votre bol d'eau toutes les 2 heures.
- Branchez le cordon d'alimentation long (3) du générateur de fumée dans une prise électrique mise à la terre homologuée (4).

Pour retirer le générateur de fumée

Assurez-vous que le générateur de fumée a eu le temps de refroidir. Débranchez le cordon d'alimentation long (3) de la prise murale (4) et du générateur de fumée (E). Détachez le câble capteur (1) et le cordon d'alimentation court (2), et retirez le générateur de fumée de l'armoire du fumoir en le soulevant délicatement vers le haut et en le tirant vers l'extérieur.

Avvertissement: Toute modification ou transformation de cette unité non expressément approuvée par l'autorité responsable de la conformité pourrait priver l'utilisateur de son droit à se servir de l'équipement.

REMARQUE : cet équipement a été testé et certifié conforme aux limites autorisées pour un appareil numérique de Classe B, en vertu de la section 15 des réglementations de la FCC. Ces limites sont destinées à fournir une protection raisonnable contre les interférences nuisibles dans une installation résidentielle. Cet équipement génère, utilise et peut émettre de l'énergie radioélectrique et, s'il n'est pas installé et utilisé conformément aux instructions, il est susceptible de produire des interférences nuisibles avec les communications radio.

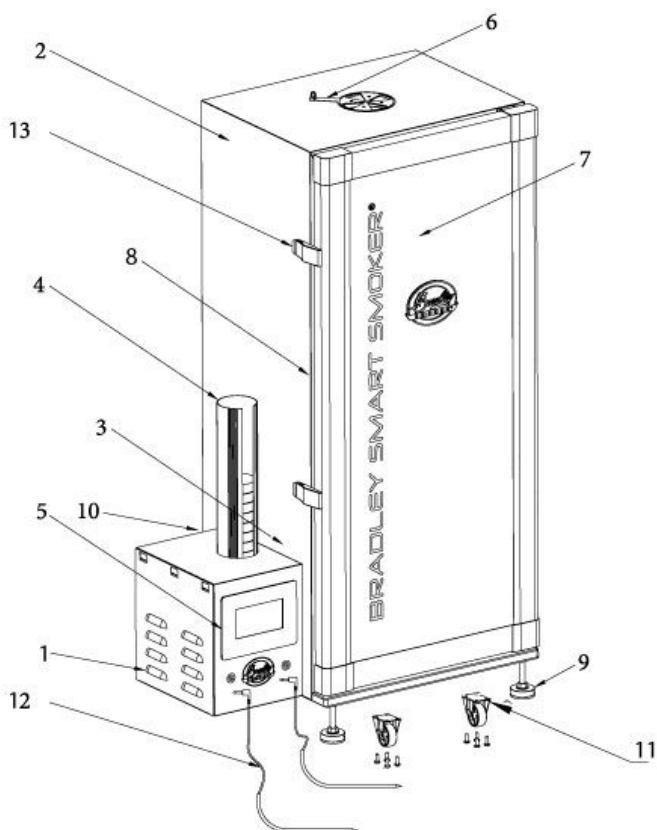
Toutefois, il n'y a aucune garantie que l'interférence ne surviendra pas dans une installation spécifique. Si cet équipement produit des interférences nuisibles avec la réception radio ou télé, ce qui peut être déterminé en l'éteignant et en le rallumant, il est conseillé à l'utilisateur de résoudre le problème de l'une des manières suivantes:

- Réorienter ou déplacer l'antenne réceptrice.
- Augmenter la distance entre l'équipement et le récepteur.
- Brancher l'équipement sur une prise reliée à un circuit différent de celui sur lequel est branché le récepteur.
- Demander de l'aide au distributeur ou à un technicien radio/télé expérimenté.

Cet appareil est conforme aux CNR d'Industrie Canada applicables aux appareils radio exempts de licence. Son exploitation est autorisée aux deux conditions suivantes :

- (1) L'appareil ne doit pas produire de brouillage; et
- (2) L'appareil doit accepter tout brouillage radioélectrique subi, même si le brouillage est susceptible d'en perturber le fonctionnement.

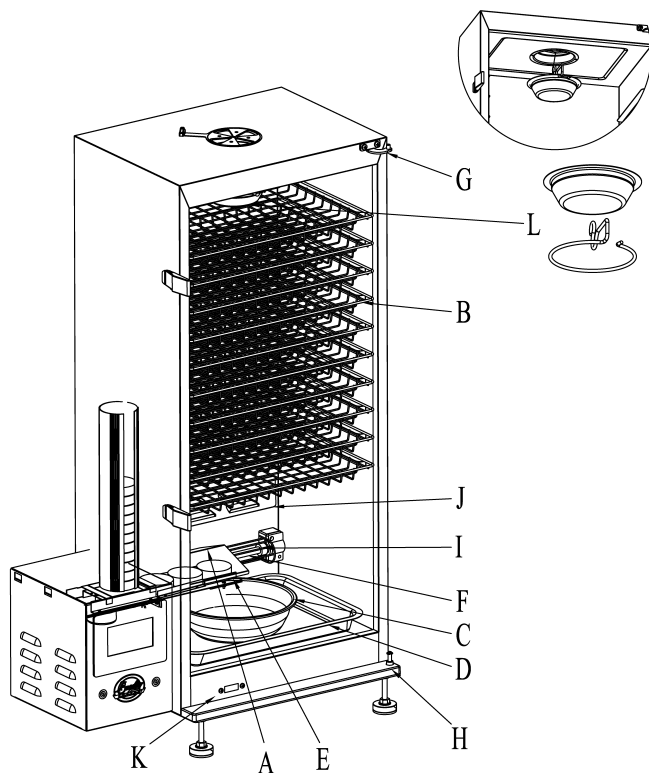
Fumoir intelligent Bradley Smart Smoker® avec technologie iSmoke®
 Modèles BS916 et BS916 CE
 Liste des composants externes



Liste des pièces externes

- | | |
|---|---|
| 1. Générateur de fumée Bluetooth® | 8. Joint de porte (non illustré) |
| 2. Armoire du fumoir | 9. Pieds réglables |
| 3. Supports du générateur (non illustrés) | 10. Câble capteur et 2 cordons d'alimentation (non illustrés) |
| 4. Tube d'alimentation | 11. Roulettes (optionnelles) |
| 5. Panneau d'affichage numérique Bluetooth® | 12. Sondes à viande |
| 6. Registre de tirage | 13. Loquets |
| 7. Porte | |

Fumoir intelligent Bradley Smart Smoker® avec technologie iSmoke®
Modèles BS916 et BS916 CE
Liste des composants internes



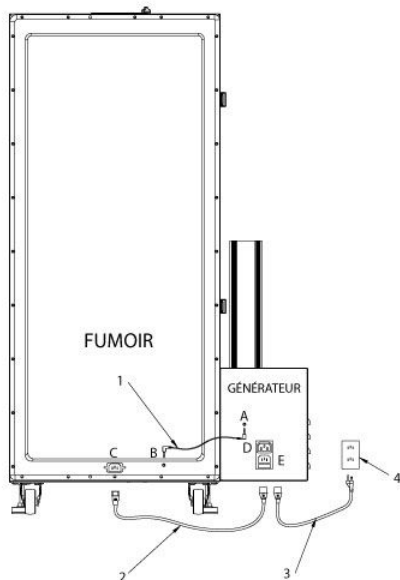
Liste des pièces internes

- | | |
|--|---|
| A) Protège-bisquettes | H) Charnière de porte inférieure |
| B) Grilles de cuisson (6 grilles incluses) | I) Isolateur en porcelaine |
| C) Cuvette d'égouttage | J) Protecteur d'élément chauffant |
| D) Plaque de fond rectangulaire | K) Interrupteur de sécurité de la porte |
| E) Brûleur à bisquettes (bisquettes non comprises) | L) Bol de condensation et crochet |
| F) Élément chauffant | |
| G) Charnière de porte supérieure | |

CONFIGURATION DES CONNEXIONS ÉLECTRIQUES

(Après avoir installé le générateur sur le côté du fumoir)

DANS L'ORDRE SUIVANT



1. Brancher d'abord le câble capteur (1) à l'arrière du générateur (A) et du fumoir (B).

2. Brancher le cordon court (2) dans les prises du fumoir (C) et du générateur de fumée (D).

3. Brancher le cordon d'alimentation long (3) dans la prise d'alimentation électrique du générateur (E).

4. Enfin, brancher le cordon d'alimentation long (3) dans une prise murale (4). (Toujours utiliser une rallonge électrique pour usage extérieur seulement et s'assurer que le branchement à la rallonge est sec et qu'il ne repose pas sur le sol.)

ATTENTION

POUR UNE PROTECTION CONTINUE CONTRE LE RISQUE DE DÉCHARGE ÉLECTRIQUE, BRANCHER UNIQUEMENT À UNE PRISE MISE À LA TERRE

ATTENTION

DÉBRANCHER L'APPAREIL DE LA PRISE D'ALIMENTATION AVANT LE NETTOYAGE OU L'ENTRETIEN
NE PAS IMMERGER/NE PAS EXPOSER À LA PLUIE

Le présent appareil est conforme aux CNR d'Industrie Canada applicables aux appareils radio exempt de licence. L'exploitation est autorisée aux deux conditions suivantes : (1) l'appareil ne doit pas produire de brouillage, et (2) l'utilisateur de l'appareil doit accepter tout brouillage radioélectrique subi, même se le brouillage est susceptible d'en compromettre le fonctionnement.

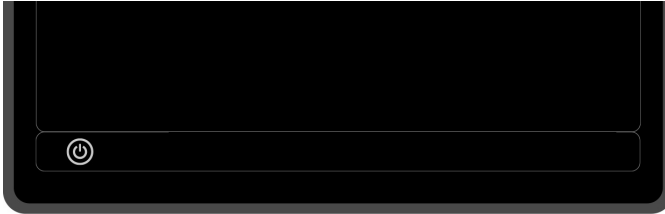
Utilisation optimale de votre fumoir Bradley

1. Les fumoirs Bradley sont conçus pour cuire lentement à basse température. Prenez votre temps et planifiez vos repas en fonction de cette caractéristique. Avec cette méthode, vous obtiendrez le meilleur goût et le meilleur arôme possible.
2. Ne surchargez pas les grilles – laissez toujours suffisamment d'espace entre les aliments pour assurer la circulation constante de l'air, à défaut de quoi la fumée sera emprisonnée et ne pourra pas circuler librement dans la totalité de l'armoire de fumage.
3. Pour cuire ou fumer les aliments de manière uniforme, nous vous recommandons d'effectuer une rotation des grilles, de haut en bas et d'avant en arrière.
4. Les durées et les températures de fumage varient selon les conditions suivantes :
 - a) Température de l'air ambiant;
 - b) Quantité d'aliments dans le fumoir;
 - c) Température interne des aliments que vous fumez;
 - d) Les températures affichées sont à des fins de référence seulement.
5. Ne fermez JAMAIS complètement l'évent de votre fumoir.
6. Videz et remplissez votre bol d'eau toutes les 2 heures.
7. Lorsque vous cuisez ou fumez des aliments contenant beaucoup de graisse, veillez à placer l'assiette à tarte ou la cuvette directement sous les aliments pour recueillir le plus de gras fondu possible. Cela contribuera au maintien de la propreté de votre fumoir Bradley et en prolongera le cycle de vie, tout en prévenant l'éventualité d'un incendie de graisse.
8. Assurez-vous que votre fumoir est toujours propre pour en augmenter la durée de vie.

Remarque : Les sondes à viande ne vont PAS au lave-vaisselle. N'immergez pas ces câbles dans l'eau ni dans aucun autre liquide, car cela les endommagera de manière permanente.

Guide d'affichage des fonctions

Après avoir branché tous les câbles, l'écran tactile s'initialisera et la touche « Marche/Arrêt » s'illuminera dans le coin inférieur gauche.



Appuyez sur la touche « Marche/Arrêt » pour allumer l'écran du générateur de fumée. L'écran du générateur affichera l'animation des écrans de démarrage.



Choisissez la langue d'affichage. (Le choix de langue apparaîtra uniquement la première fois que vous allumerez le fumoir.) Il existe 15 langues proposées parmi lesquelles choisir.

Remarque : Si vous vous trompez en choisissant la langue d'affichage, appuyez sur la touche Statistique pour pouvoir de nouveau changer de langue.



Changez le mode de température en appuyant sur C et F, respectivement, pour Celsius ou Fahrenheit.

Écran principal d'affichage des fonctions



L'**écran d'affichage tactile** se divise en trois sections :

À gauche se trouvent les minuteries, et à droite, les commandes de températures. Au bas de l'écran se trouvent les commandes auxiliaires. Appuyer sur le logo Bradley ramène en tout temps à l'écran principal.

Minuterie de fumage

Appuyez sur les chiffres de la fonction Temp Four pour régler la durée de fumage désirée. Exemple : Pour 3 heures et 30 minutes, appuyez sur 0-3-3-0. Après 2 secondes, la minuterie démarre et l'affichage revient à l'écran principal. Le réglage de la durée de fumage la plus longue est 9 heures 40 minutes (9:40).

Faire avancer les bisquettes

Appuyez sur l'icône Minuterie Fumage et choisissez 1 ou 2 pour faire avancer les bisquettes sur le brûleur une fois ou deux, respectivement. Lorsque la bisquette aura avancé, l'affichage reviendra à l'écran principal.

Minuterie du four

Appuyez sur les chiffres de la fonction Minuterie Four pour régler la durée de cuisson désirée. Exemple : Pour 3 heures et 30 minutes, appuyez sur 0-3-3-0. Après 2 secondes, la minuterie démarre et l'affichage revient à l'écran principal. Le réglage de la durée de cuisson au four la plus longue est de 9 heures 40 minutes (9:40).

Réglage de la température du four

Appuyez sur les chiffres de la fonction Temp Four pour régler la température de cuisson désirée. Exemple : Pour 249 °C, appuyez sur 2-4-9. Après 2 secondes, l'affichage revient à l'écran principal. La température affichée est la température à l'intérieur du four. Le réglage le plus élevé de température du four est 160 °C (320 °F).

La température ne devrait jamais dépasser 140 °C (280 °F)

Changez le mode de température en appuyant sur C et F, respectivement, pour °C ou °F.

Réglage des températures nominales des sondes à viande


Deux sondes de températures chromocodées sont fournies avec le fumoir Bradley Smart Smoker BS916. Insérez la sonde chromocodée choisie dans la prise de couleur correspondante située sous l'écran sur le générateur de fumée.


Appuyez sur les chiffres de la fonction Température sonde (Probe Temperature) pour faire apparaître l'écran de réglage Température viande (Meat temperature). Choisissez le réglage désiré à partir de l'une des deux options Temp (By Temp) ou Préréglé (By Preset).

L'option Temp vous permet de régler manuellement la température interne désirée.


L'option Préréglé vous permet de personnaliser les températures internes désirées au moyen des choix préétablis de viande et des niveaux de température interne de cuisson.


Affichage des fonctions auxiliaires

Le verrouillage de sécurité désactive les fonctions de l'écran tactile du générateur de fumée lorsque le petit cadenas devient rouge, pour empêcher les enfants de modifier les réglages. Cela n'a pas d'incidence sur le dispositif à distance. 

Il est possible de régler la luminosité de l'écran en appuyant sur l'icône correspondant. 

Il est possible de changer le mode de température en appuyant sur C et F pour Celsius ou Fahrenheit, respectivement.

Lorsque la connexion Bluetooth est établie, l'icône Bluetooth devient bleue. 

Pour voir diverses statistiques ou modifier la langue d'affichage, appuyez sur l'icône Statistique. 



Pour accéder au manuel sur la technologie iSmoke, veuillez télécharger l'application Bradley iSmoke depuis iTunes ou Google Play Store.

Guide de fonctionnement

Fumoir intelligent Bradley Smart Smoker® avec technologie iSmoke®

Modèles BS916 et BS916 CE

Se référer aux numéros de pièces indiqués dans la Liste des composants externes, page 18.

Apprêt et préparation à l'emploi

La plage idéale d'utilisation ambiante de votre Bradley Smoker se situe entre 4 °C to 21 °C (40 °F to 70 °F). Des températures extrêmes (basses ou élevées) auront une incidence sur le rendement de l'appareil et les résultats de cuisson des aliments.

Méthode d'apprêt :

L'apprêt du fumoir Bradley est un processus continu; plus vous l'utiliserez, meilleurs seront les aliments.

- Nettoyez les grilles, le protège-bisquettes, la cuvette d'égouttage et la plaque rectangulaire et déposez-les dans le fumoir.
- Remplissez la cuvette d'égouttage aux trois quarts (3/4) avec de l'eau.
- Placez 5 bisquettes dans le tube d'alimentation. Les 2 bisquettes additionnelles serviront à pousser la dernière bisquette sur le brûleur. Ces 2 dernières bisquettes n'avanceront pas jusque sur le brûleur.

• *Remarque : chaque bisquette brûle pendant 20 minutes.*

• Ouvrez le registre situé sur le dessus de l'armoire du fumoir.

Branchez le fumoir dans la prise murale dédiée.

- Allumez le générateur de fumée en appuyant sur la touche Générateur marche/arrêt [Generator On/Off] (page 22).

- Préchauffer le brûleur pendant 20 minutes.
- Appuyez sur la touche Avancer bisquette.
- Allumez le fumoir (page 23) et réglez la température à moyen, soit environ 66 °C (150 °F). Attendez de 20 à 30 minutes. Enfumez l'armoire de manière continue à 66 °C (150 °F) pendant 1 heure, ou jusqu'à ce que les bisquettes soient entièrement consommées.
- L'apprêt de votre fumoir sera terminé lorsqu'il aura atteint 66 °C (150 °F) et produit de la fumée pendant 1 heure.

Pour commencer

- Une fois le processus d'apprêt du fumoir terminé, remplissez de nouveau la cuvette d'eau aux 3/4.
- Allumez le générateur de fumée en appuyant sur la touche Générateur marche/arrêt [Generator On/Off]. Cela met en marche le préchauffage du brûleur à bisquettes.

- Appuyez sur la touche Avancer bisquette pour pousser une bisquette sur le brûleur (E).

Remarque : Appuyer sur la touche Avancer fait démarrer un nouveau cycle (ou) environ 20 minutes plus tard, la bisquette suivante s'avancera sur le brûleur.

- Préchauffez le four à la température de cuisson désirée.
- Déposez vos aliments sur les grilles de cuisson et enfournez-les dans le fumoir.

- Réglez le registre à l'ouverture voulue. Ne fermez pas complètement le registre lorsqu'il y a production de fumée, car cela pourrait endommager le générateur.
- Il se peut que vous ayez à régler la température du four pour atteindre le point de cuisson désiré.

Remarque : La température réelle est celle de la température de l'air à l'intérieur de l'armoire. Pour obtenir une idée plus précise de la température des aliments que vous faites fumer, servez-vous des sondes à viande (12) fournies avec l'appareil. N'oubliez pas que la température extérieure aura une incidence sur la température de cuisson du fumoir.

N'oubliez pas de nettoyer votre fumoir après chaque utilisation.

GARANTIE

Le fumoir Bradley comporte une garantie limitée de 1 an contre les défauts de fabrication

Exigences et restrictions :

La garantie prend effet à partir de la date d'achat. Conservez vos reçus de caisse comme preuve de la date d'achat. La garantie se limite à la réparation et au remplacement de pièces tel qu'établi par Bradley Technologies inc.

À sa discrétion, Bradley Technologies fournira une pièce de remplacement pour tout composant que Bradley Technologie inc. juge défectueux et ne saurait être tenue responsable d'assembler de nouveau le composant en question.

Cette garantie limitée n'est pas transférable et devient nulle si le produit est utilisé à des fins commerciales ou de location. La garantie couvre uniquement les défauts de fabrication. Cette garantie limitée ne permet pas le remboursement de coûts relatifs aux inconvénients, à la perte de nourriture, aux blessures personnelles ou aux dommages à la propriété.

La garantie est valide uniquement dans le pays d'achat de l'appareil. Il incombe à l'acheteur d'origine d'assumer les frais d'expédition et de manutention afférents à la commande de pièces non couvertes par la garantie. Le numéro de série du fumoir doit être indiqué sur toute réclamation en vertu de la garantie.

Bradley Technologies exclut de sa garantie les éléments suivants :

Les défauts, les dommages résultant d'un accident, l'utilisation excessive ou une mauvaise utilisation, la modification, un assemblage ou une installation incorrects et le vandalisme ne sont pas couverts. Les dommages résultant de conditions météorologiques, y compris, sans toutefois s'y limiter, la grêle, les ouragans, les tornades, les tremblements de terre, le vent, la pluie ou la neige ne sont pas couverts.

L'usure normale, l'écaillage ou les rayures sur les surfaces peintes ne sont pas couverts. La décoloration résultant de l'exposition au soleil, à la chaleur ou aux produits chimiques n'est pas couverte par cette garantie.

Le manquement à effectuer un entretien régulier, des vérifications de sécurité et des réparations incluant, sans toutefois s'y limiter, l'enlèvement de l'accumulation de graisse ayant causé une inflammation instantanée, les dommages causés par un incendie de graisse ne sont pas couverts par cette garantie.

Afin d'assurer votre satisfaction, et à des fins de service de suivi, veuillez enregistrer votre fumoir en ligne à l'adresse www.bradleysmoker.com.

Pour tout ce qui a trait à la garantie et aux services à la clientèle, veuillez composer le 1 866-508-7514 (sans frais).



Manual del Proprietario

para

Model Name	120V Models	240V Models
Bradley 4 Rack Digital Smoker	BTDS76P	BTDS76CE-EU
Bradley 6 Rack Digital Smoker	BTDS108P	BTDS108CE-EU
The Original Bradley Smoker	BS611*(A-Z)	BS611*(A-Z)
The Original XLT Bradley Smoker	BS815XLT*(A-Z)	BS815XLTCE*(A-Z)
The Bradley Smart Smoker	BS916	BS916CE



Bradley Technologies Canada Inc.

1-866-508-7514

info@bradleysmoker.com

www.bradleysmoker.com

Impreso en China

Marzo de 2016

Estimado/a señor/a:

Revolucionaria tecnología de ahumado para cocinar en su hogar

Le presentamos la maravillosa experiencia de ahumar y asar lentamente en el patio de su casa. El Bradley Smoker es un horno ahumador aislado diseñado para generar humo puro de manera automática y continua. Es un aparato eléctrico para exteriores que le permite cocinar, asar y ahumar comidas —tanto en caliente como en frío— con resultados superiores siempre y de manera muy fácil.

El Bradley Smoker es único porque produce un humo cuatro veces más puro que los ahumadores tradicionales a virutas*. Esto se debe a que extingue automáticamente las Bisquettes —pastillas de madera prensada— consumidas, para evitar la formación de gases y ácidos a temperatura alta. Además, el Bradley Smoker cumple con las normas de aparatos de Europa y Norteamérica.

Las Bisquettes de sabor Bradley vienen en once variedades y están elaboradas especialmente para su ahumador: aliso, manzano, cerezo, nogal americano, mezquite, roble, arce, pacana, mezcla del Pacífico, roble de whisky y mezcla especial. Para ideas sobre qué comidas preparar, consulte el libro de recetas adjunto y nuestro sitio web: www.bradleysmoker.com.

También le recomendamos probar nuestra colección de recetas, las mezclas saborizadas para curado, las parrillas para carne seca, las parrillas originales, los ganchos para salchichas, las fundas protectoras, los gorros, los delantales y el termómetro digital con sonda para carne (así deja de adivinar la temperatura al asar y ahumar carne).

Le deseo un excelente asado y ahumado de aquí en adelante.

Atentamente,



Wade Bradley

**Basado en estudios y pruebas realizadas en el Instituto de tecnología de la Columbia Británica.*

Advertencias importantes de seguridad

Guarde estas instrucciones

Lea todas las instrucciones antes de usar

Precauciones básicas de seguridad

- Lea atentamente las instrucciones de armado para preparar el ahumador para su uso.
- No toque las superficies calientes. Use los mangos o las perillas.
- Para evitar descargas eléctricas, no sumerja ni el cable ni el enchufe en agua, ni en ningún otro líquido.
- Debe estar muy atento cuando cualquier tipo de aparato se utiliza cerca de niños.
- Desenchúfelo cuando no lo esté usando y antes de limpiarlo. Déjelo enfriar antes de colocar o quitar piezas.
- No encienda ningún aparato si el cable o el enchufe están dañados, o después de notar que el aparato funciona mal o se ha roto de alguna manera.
- El fabricante del aparato no recomienda el uso de complementos accesorios, ya que puede provocar lesiones.
- No altere la condición original del ahumador.
- No deje colgando el cable por fuera del borde de una mesa o mesada, ni permita que entre en contacto con superficies calientes.
- No coloque el aparato sobre una cocina a gas o eléctrica, ni en su proximidad.
- Debe tener mucho cuidado al mover un aparato si contiene aceite u otros líquidos calientes.
- Conecte siempre el cable al aparato antes de enchufarlo al tomacorriente. Para desconectarlo, coloque todos los controles

en la posición OFF (APAGADO) y luego desconecte el enchufe del tomacorriente.

- No utilice el aparato con fines para los que no fue diseñado.
- No use ningún otro tipo de madera que no sean las Bisquettes® de sabor Bradley.
- Levante y traslade el ahumador con cuidado para evitar sobrecargas y lesiones en la espalda.
- Tenga cuidado al introducir la mano en el ahumador o al acercarla.
- Se recomienda colocar un extintor cerca del ahumador. Consulte a las autoridades locales para determinar el tamaño y el tipo de extintor adecuados.
- Dispone de cables de alimentación o cables prolongadores más largos desmontables; puede usarlos si tiene cuidado al hacerlos.
- Si utiliza un cable de alimentación o cable prolongador más largo desmontable, la clasificación eléctrica indicada del cable debe ser por lo menos tan alta como la clasificación eléctrica del aparato.
- Debe colocar el cable de manera que no pase por encima de la mesada o mesa donde un niño pueda tirar de él o tropezarse sin intención.
- Si necesita un cable prolongador, debe usar un cable industrial aprobado de no más de 1,85 m (6 pies) de largo.

Lea atentamente las instrucciones de armado para preparar el ahumador para su uso.

PARA USO EXTERIOR

ÚNICAMENTE

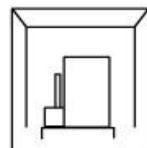
Advertencia:

peligro de monóxido de carbono

- Quemar madera emite monóxido de carbono, que puede causar la muerte.
- **NO** queme briquetas de madera dentro del hogar, vehículo, carpa, garaje o lugares cerrados.
- Usar solamente en el exterior donde haya suficiente ventilación.
- Este artefacto no debe ser utilizado por personas (incluidos niños) con capacidades físicas sensoriales o mentales reducidas, o con falta de experiencia o conocimiento, excepto que estén supervisadas o haya sido instruidas sobre cómo usar el artefacto con seguridad, por un adulto responsable.
- Se debe supervisar que los niños no jueguen con este artefacto.
- Durante el uso, el artefacto levanta temperatura. Se debe tener cuidado de no tocar los elementos térmicos dentro del horno.
- **ADVERTENCIA:** El artefacto y sus partes accesibles pueden calentarse durante el uso.
- Este artefacto puede ser usado por niños de 8 años en adelante y por personas con limitaciones físicas, sensoriales o mentales o personas sin experiencia ni conocimiento siempre que sean supervisadas o que reciban instrucción para utilizar el artefacto de manera segura y comprendiendo los peligros implicados. La limpieza y mantenimiento no deben ser realizados por niños sin supervisión.
- No se deben utilizar limpiadores a vapor.
- No conecte el ahumador hasta que esté completamente armado.

Durante el uso

- No lo deje sin supervisión.
- No tape ni selle las rejillas o bandeja de goteo con papel de aluminio. Esto puede dañar severamente su ahumador.
- No mueva el ahumador durante su uso.
- No superar la temperatura de 140 °C (280 °F).
- Use siempre manoplas o guantes para horna para evitar quemarse las manos. No use ropa suelta ni tenga el pelo suelto.
- No use la caja de embalaje para cubrir el ahumador.
- Conéctelo únicamente a un tomacorriente con descarga a tierra aprobado.
- Evite que el ahumador entre en contacto con la lluvia en cualquier momento. Coloque la unidad en el centro de un sitio techado de 3 x 3 x 2.5 m (118 x 118 x 100 pulgadas).
- Para evitar el humo y la emisión de monóxido de carbono, no use el producto en el interior, úselo en un área bien ventilada.
- Para evitar el riesgo de choque eléctrico, usar debajo de un techo, toldo o tienda. No usar durante tormentas eléctricas o en condiciones ventosas. No usar si está lloviendo.
- No usar cerca de gasolina u otros líquidos combustibles, gases o donde hubiera vapores combustibles.
- No sumergir en agua.



**Vaciar y rellenar el cuenco de agua
cada dos horas**

Después de cada uso

- Desenchufe el ahumador cuando deje de usarlo. Consulte la sección “Tareas de mantenimiento”.
- Coloque las Bisquettes® de sabor Bradley consumidas a una distancia segura de cualquier estructura y de materiales combustibles.
- Coloque el ahumador en un lugar seco cubierto, lejos del alcance de los niños.
- Limpie toda la grasa. La grasa acumulada puede provocar un incendio.
- No limpie a vapor este aparato.

Guarde estas instrucciones

Mantenimiento general

Consulte los diagramas de la Lista de componentes externos y de la Lista de componentes internos

Precauciones importantes de seguridad

- Después de cada uso del Bradley Smoker, debe llevar a cabo tareas de mantenimiento y limpieza.
- Desenchufe el cable largo de alimentación antes de comenzar cualquier mantenimiento o limpieza.
- No sumerja el ahumador en agua.
- No rocíe ningún tipo de limpiador de electrodomésticos en el interior del ahumador.

- No cubra ni selle las parrillas ni la bandeja para goteo con papel de aluminio. Esto puede dañar mucho al ahumador.
- No deje el ahumador sin supervisión cuando está funcionando.
- No rocíe ni limpie el ahumador con demasiada agua. Use un paño mojado en su lugar.

Tareas de mantenimiento

- Tenga cuidado al manipular y limpiar el ahumador, ya que algunos bordes de las partes metálicas pueden ser filosos.

- Limpie el tazón de goteo. Deseche todas las Bisquettes quemadas con cuidado, ya que todavía pueden estar calientes.
- Lave la bandeja para goteo, las parrillas, la bandeja inferior rectangular y el tazón de goteo con agua caliente y detergente común, o colóquelos en el lavavajillas.
- Quite cualquier resto de alimento y residuo de grasa del ahumador. Si es necesario limpiar el interior, hágalo con un paño mojado.
- *Nota: la torre debe tener humo o residuo negro en el interior. Cuanto más residuo haya, mejor será el sabor de lo que ahúme.*
- El generador de humo debe estar siempre limpio y libre de virutas de madera y grasa. Si se acumulan virutas de madera sueltas en el generador de humo, quítelas soplando o usando una aspiradora.
- Desenchufe el cable de alimentación largo antes de desconectar el generador de humo de la torre de humo. Consulte la sección

“Cómo desconectar el generador de humo” en “Instrucciones de armado”.

- Use un raspador o un cepillo de alambre para raspar el quemador de Bisquettes y quitar cualquier residuo que haya quedado del proceso de quemado.
- Limpie el humidificador (en la parte superior del ahumador) para asegurarse de que no esté bloqueado.
- Limpie el sello de la puerta con agua tibia y detergente común para quitar cualquier residuo y resto de comida.

Después de la limpieza

- Vuelva a colocar las parrillas, la bandeja para goteo, la bandeja inferior rectangular y el tazón de goteo en el ahumador, asegurándose de que todo esté limpio y seco.
- Conecte el generador de humo a la torre de humo.
- Asegúrese de que el cable de alimentación largo esté desenchufado.

Solución de problemas

El ahumador no enciende

Verifique que todos los enchufes estén conectados correcta y firmemente. Revise el fusible (ubicado en el generador de humo). Asegúrese de que no se haya activado el interruptor del circuito de fallos de conexión a tierra del tomacorriente.

Las Bisquettes no avanzan

Revise la guía de impulso y quite cualquier viruta de madera suelta. Limpie el generador de humo para evitar el desgaste innecesario y que se traben las Bisquettes.

Las Bisquettes no se consumen por completo

Verifique que no haya otros equipos eléctricos enchufados al circuito. El ahumador debe estar conectado a un circuito de pared exclusivo. Revise que no se haya acumulado residuo en el quemador de Bisquettes.

El horno del ahumador no llega a la temperatura necesaria

Dele tiempo al horno del ahumador para que se precaliente. Recuerde: cuando coloque comida en el horno, la temperatura bajará y luego volverá a subir lentamente. Pruebe cerrando un poco el humidificador y protegiendo al ahumador del viento. A continuación, use un termómetro independiente en el interior del horno, para garantizar que la temperatura se esté midiendo correctamente.

Nota: la temperatura normal de cocción es entre 95 y 120 °C (200 y 250 °F). Tenga en cuenta que la temperatura que aparece en la

pantalla es solo para referencia y no representa la temperatura interna exacta de la comida. La temperatura interna será más alta cuanto más cerca esté del elemento calentador.

Para otras consultas, llame al Servicio de atención al cliente 1-866-508-7514.

Instrucciones de ensamblaje

Bradley Smoker original (BS611, BS611EU, BS815XLT y BS815XLTCE)

Consulte los números de piezas en los diagramas de la lista de componentes externos, la lista de componentes internos y el diagrama de instalación de la conexión eléctrica.

Cómo ensamblar el Bradley Smoker® original

1. Extraiga el ahumador de la caja.
2. Extraiga todas las piezas embaladas del ahumador.
3. Quite todos los materiales de embalaje de protección de las piezas.

Como Ensamblar el Ahumador Original Bradley

1. Remueva el ahumador de la caja.
2. Saque todas las partes empacadas fuera del ahumador.
3. Remueva todo el empaçado protector.

Instale el generador de humo con perilla:

- Conecte el generador de humo con perilla (1) a la torre del ahumador (2).
- Dirija el quemador de Bisquettes (F) hacia la abertura de la torre.
- Alinee las bocallaves del generador de humo con perilla con los soportes de ubicación de la torre del ahumador (3).
- Fije el generador de humo empujando hacia abajo con firmeza.
- Introduzca el tubo alimentador (4) en la parte superior del generador de humo con perilla y empuje firmemente hacia abajo, y luego cárguelo con la cantidad deseada de Bisquettes de sabor Bradley.
- Enchufe el cable de alimentación corto (E – no se muestra) del generador de humo con perilla en la torre del ahumador.
- Instale la torre del ahumador:

- Coloque las parrillas (C) sobre los soportes laterales.
- Coloque la bandeja de goteo en “V” (B) mirando hacia abajo, debajo de las parrillas y sobre los pasadores laterales de bronce.
- Coloque la bandeja rectangular (J) en el fondo del ahumador.
- Llene el tazón de goteo (D) con agua hasta la mitad y colóquelo en el centro de la bandeja rectangular para captar las Bisquettes quemadas. Vaciar y rellenar el cuenco de agua cada dos horas.

- Enchufe el cable de alimentación largo (A) del generador de humo en una toma de corriente eléctrica con conexión a tierra aprobada.

Para retirar el generador de humo con perilla:

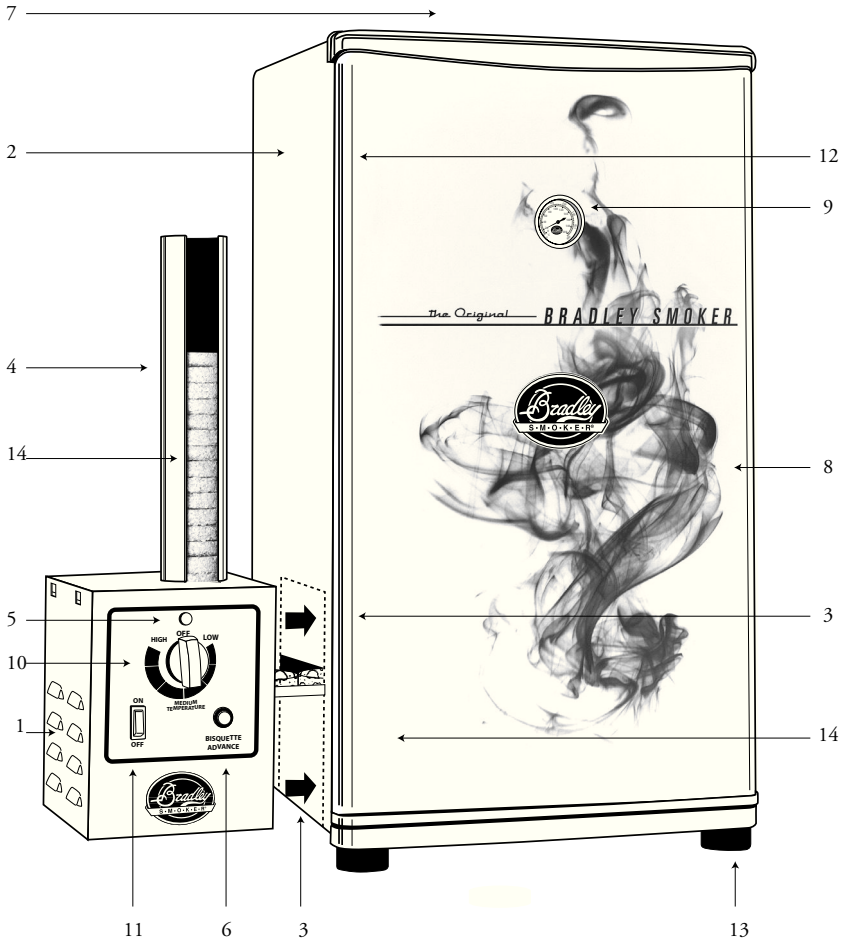
- Desenchufe el cable de acoplamiento corto (E).
- Separe el generador de humo con perilla de la torre del ahumador, levantando suavemente hacia arriba el generador de humo con perilla y tirando hacia afuera.

Manejo del embalaje

Todo el embalaje debe desecharse de acuerdo con las reglamentaciones de su área. La caja puede usarse únicamente para guardar el ahumador cuando no lo use. La caja no debe usarse para cubrir el ahumador mientras se está usando.

Bradley Smoker® original (BS611, BS611EU, BS815XLT y BS815XLTCE)

Lista de componentes externos



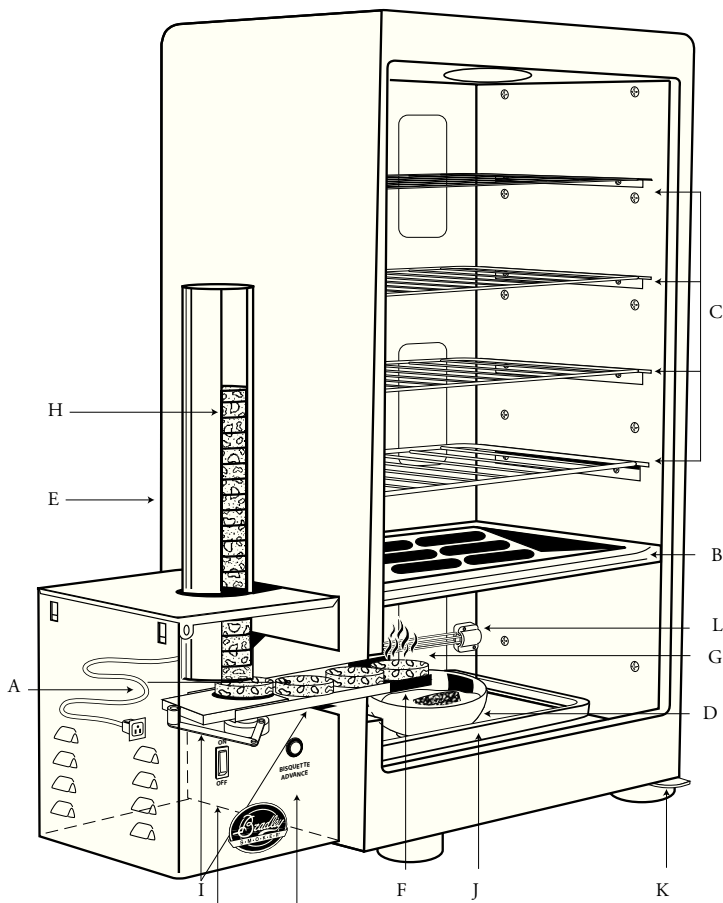
1. Generador de humo con perilla
2. Torre del ahumador
3. Soportes del generador
4. Tubo de alimentación
5. Luz indicadora del generador de humo
6. Botón de avance de Bisquettes
7. Regulador de tiro con manija (no se muestra)
8. Puerta

9. Termómetro
10. Perilla de encendido/apagado y control de calor y temperatura
11. Interruptor de encendido/apagado del generador
12. Sello de la puerta
13. Patas de goma
14. Bisquette (no se incluye con el ahumador)

El Ahumador Original Bradley

(BS611, BS611EU, BS815XLT y BS815XLTCE)

Lista de componentes internos



- A) Cable de alimentación largo
- B) Bandeja de goteo
- C) Parrillas de cocción
- D) Tazón de goteo
- E) Cable de alimentación (no se muestra)
- F) para conectar el generador
- G) Quemador de Bisquettes

- H) Elemento de calentamiento de 500 W
- I) Bisquettes® de sabor (no incluidas)
- J) Guía de transmisión
- K) Bandeja rectangular inferior
- L) Bisagra de puerta
- M) Asidero de porcelana

Guía de Funcionamiento

Para el BS611 y BS611EU – El Ahumador Original Bradley, BS815XLT y BS815XLTCE

Consulte los números de las partes en el Diagrama de la Lista de Componentes Externos

Curado y preparación para

usar

El curado del Ahumador Bradley es un proceso continuo; mientras más lo use, mejor será el sabor de sus alimentos .

El curado es principalmente para remover los olores imparciales de su ahumador. El olor de su nuevo Ahumador Bradley no es necesariamente como quiere usted que su comida sepa.

Método de curado

- Enchufe el ahumador a su propia salida designada.
- Encienda el generador de humo oprimiendo el interruptor On/Off del generador (11)
- Precaliente el quemador de bisquettes por 20 minutos.
- Oprima el botón de avance de bisquettes (6) hasta que un bisquette este en el quemador de bisquettes. (F)
- Encienda el ahumador girando la perilla de control de temperatura de calor On/Off (10) hacia medium (cerca de la posición hora 6) . Espere de 20 a 30 minutos. El termómetro (9) deberá leer 66°C (150°F) . Si es mas alta, baje la temperatura girando el control de temperatura de calor a la posición de hora 3 y viceversa hasta que la temperatura lee 66°C (150°F)
- Ahume la torre continuamente a 66°C (150°F) por 1 hora o hasta que los bisquettes estén fuera.
- Su ahumador estará curado al alcanzar 150°F y ahumado adentro por 1 hora.

Cómo comenzar

- Después de curar el ahumador, vuelva a llenar el tazón de goteo con agua hasta la mitad.
- Encienda el generador de humo presionando el interruptor de encendido/

apagado del generador (11). Esto precalienta el quemador de Bisquettes.

- Cuando la luz indicadora del generador del ahumador (5) está encendida, esto significa que el generador está recibiendo alimentación eléctrica.
- Presione el botón de avance de Bisquettes (6) para empujar una Bisquette al quemador de Bisquettes (F).

Nota: Después de haber presionado el botón de avance, comenzará un nuevo ciclo (o alternativamente), en alrededor de 20 minutos, avanzará la siguiente Bisquette.

- Precaliente el horno a la temperatura deseada para cocinar.
- Coloque los alimentos en las parrillas de cocción y cárguelas en el ahumador.
- Disponga el regulador de tiro en la abertura deseada. No cierre el regulador de tiro completamente cuando haya humo.
- Es posible que deba usar la perilla de encendido/apagado y control de calor para alcanzar la temperatura deseada, de acuerdo al termómetro de la puerta.

Ahumado en frío: use únicamente el generador de humo. Desenchufe el cable de alimentación corto.

Ahumado en caliente: el generador de humo y la perilla de encendido/apagado y control de calor y temperatura estarán encendidos.

Nota: El termómetro únicamente registrará la temperatura del aire dentro de la torre.

Para obtener una temperatura más precisa de los alimentos que se están ahumando, use un termómetro para carnes. Tenga en cuenta que la temperatura ambiente afectará la temperatura de cocción del ahumador.

Recuerde limpiar el ahumador después de cada uso.

Instrucciones de ensamblaje

Ahumadores digitales de 4 parrillas (BTDS76P y BTDS76CE-EU) y

Ahumadores digitales de 6 parrillas (BTDS108P y BTDS108CE-EU)

Consulte los números de piezas en la lista de componentes externos, la lista de componentes internos y el diagrama de conexión eléctrica.

Cómo ensamblar el ahumador

Bradley Smoker® digital

1. Extraiga el ahumador de la caja.
2. Extraiga todas las piezas embaladas del ahumador.
3. Quite todos los materiales de embalaje de protección.

Instale el generador de humo digital:

- Para conectar el generador de humo digital (1) a la torre del ahumador (2), coloque el quemador de Bisquettes (E) hacia la abertura del lado izquierdo de la torre. Alinee las bocallaves del generador con los dos soportes (3) laterales y empuje hacia abajo con firmeza para fijarlo en su posición.

- Introduzca el tubo alimentador (4) en la parte superior del generador de humo y empuje firmemente hacia abajo. Cárguelo con la cantidad deseada de Bisquettes® de sabor Bradley.

Instalación de la conexión eléctrica (vea la pagina 14)

- Enchufe el cable del sensor (1) en el contacto del sensor en la parte posterior del generador de humo (A) y en el contacto del sensor en la torre del ahumador (B).

- Enchufe el cable de alimentación corto (2) en el tomacorriente hembra en la parte posterior del generador de humo (D) y luego en el tomacorriente macho en la parte posterior de la torre de humo (C); presione firmemente.

- Enchufe el cable de alimentación largo (3) en el tomacorriente (E).

Instale la torre del ahumador:

- Coloque las parrillas, ya sean cuatro o seis (B), sobre los soportes laterales.

- Coloque la bandeja de goteo en “V” (A) mirando hacia abajo, debajo de las parrillas, sobre los pasadores laterales de bronce y debajo del pasador (I).

- Coloque la bandeja rectangular (D) en la parte inferior del ahumador.

- Llene el tazón de goteo (C) con agua hasta la mitad y colóquelo en el centro de la bandeja rectangular (D) para captar las Bisquettes quemadas. Durante un período largo de ahumado, se deberá cambiar el agua del tazón de goteo.

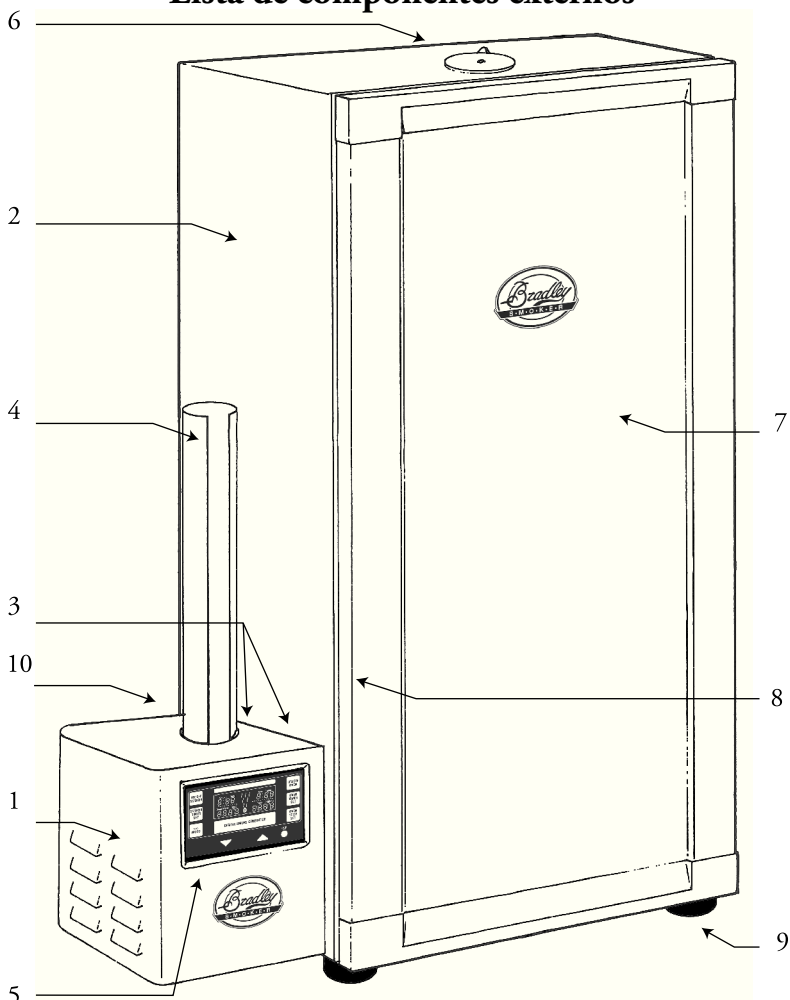
- Enchufe el cable de alimentación largo (3) del generador de humo en una toma de corriente eléctrica con conexión a tierra aprobada (4).

Para extraer el generador de humo (vea la pagina 14)

Asegúrese de que el generador de humo haya tenido tiempo para enfriarse. Desenchufe el cable de alimentación largo (3) de la toma de corriente de la pared (4) y del generador de humo (E). Desconecte el cable del sensor (1) y el cable de alimentación corto (2), y luego extraiga el generador de humo de la torre del ahumador levantándolo suavemente hacia arriba y tirando hacia afuera.

Bradley Smoker® digital
(BTDS76P, BTDS76CE-EU, BTDS108P y BTDS108CE-EU)

Lista de componentes externos

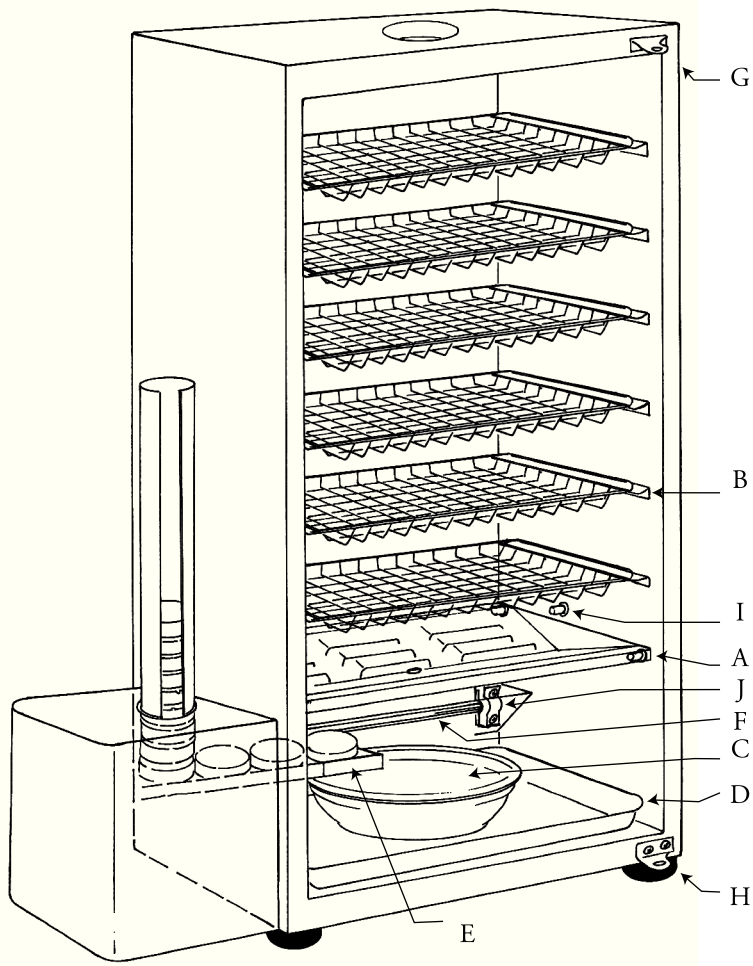


1. Generador de Humo Digital
2. Torre de humo
3. Soportes del generador (no se muestran)
4. Tubo de alimentación
5. Panel de pantalla digital (vea la página 18)
6. Regulador de tiro

7. Puerta
8. Sello de la puerta
9. Patas de goma
10. Cable del sensor, cable de alimentación corto y cable de alimentación largo (no se muestran, vea la página 17)

Bradley Smoker® digital
(BTDS76P, BTDS76CE-EU, BTDS108P y BTDS108CE-EU)

Lista de componentes internos

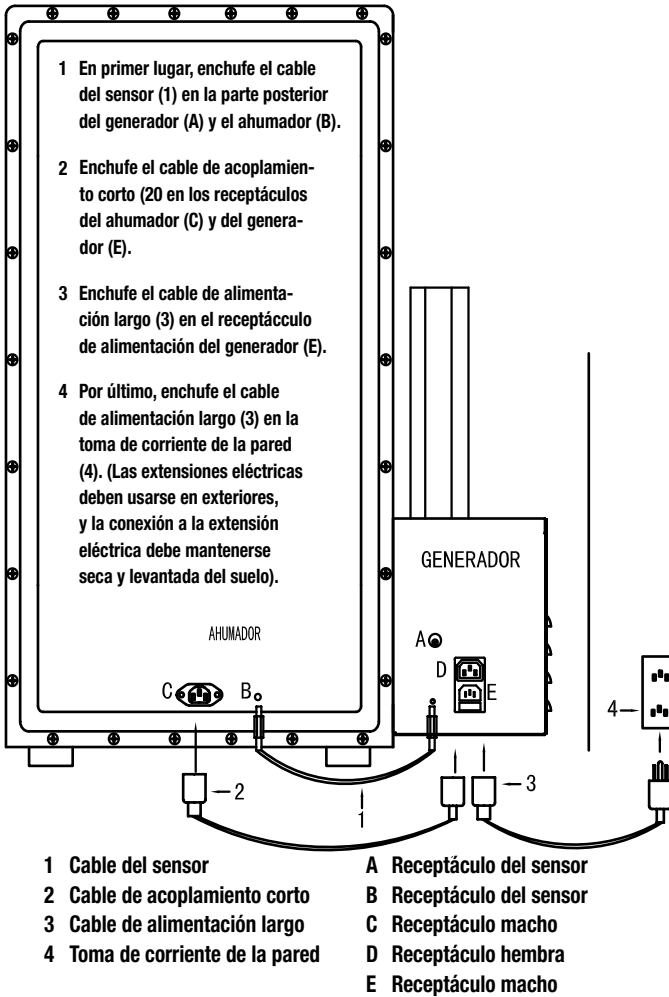


- A) Bandeja de goteo
- B) Parrillas de cocción (4 o 6)
- C) Tazón de goteo
- D) Bandeja rectangular inferior
- E) Quemador de Bisquettes (no se incluyen las Bisquettes)

- F) Elemento de calentamiento
- G) Bisagra superior de la puerta
- H) Bisagra inferior de la puerta
- I) Pasador de bronce
- J) Aislador de cerámica

INSTALACIÓN DE LA CONEXIÓN ELÉCTRICA

Después de colocar el generador al costado del ahumador
(EN ESTE ORDEN)



PRECAUCIÓN

PARA ASEGURAR UNA PROTECCIÓN CONTINUA CONTRA EL RIESGO DE DESCARGA ELÉCTRICA CONECTE ÚNICAMENTE A UN ENCHUFE DEBIDAMENTE CONECTADO A TIERRA

PRECAUCIÓN

DESENCHUFE DE LA TOMA DE CORRIENTE ANTE DE HACER LIMPIEZA O MANTENIMIENTO

NO SUMERGIR / NO EXPONGA A LA LLUVIA

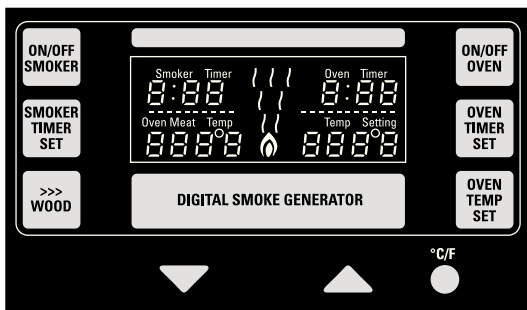
Guía de las funciones de la pantalla

Generador de humo digital

- El generador de humo se opera mediante los botones de control del lado izquierdo.
- Oprima **“On/Off Smoker”** (encender/ apagar ahumador) para encender el generador de humo.
- Oprima **“>>>Wood”** (>>>madera) para avanzar los discos al quemador.
- Oprima **“Smoker Timer Set”** (Programar temporizador del ahumador) y luego presione los botones **“v ^”** para programar el tiempo de ahumado deseado.
- Oprima **“Smoker Timer Set”** nuevamente para comenzar el avance automático cada 20 minutos.
- Oprima **“On/Off Smoker”** (Encender/apagar ahumador) para apagar el generador de humo.

Horno Ahumador

- El horno ahumador se opera mediante los botones del lado derecho.
- Oprima **“On/Off Oven”** (Encender/apagar horno) para encender el horno ahumador.
- Oprima **“Oven Temp Set”** (Programar temperatura del horno) y luego use los botones **v ^** para programar la temperatura deseada.
- Oprima **“Oven Temp Set”** nuevamente para fijar la temperatura.
- Oprima **“Oven Timer Set”** (Programar temporizador del horno) y luego use los botones **v ^** para programar el tiempo de cocción deseado.
- Oprima **“Oven Timer Set”** nuevamente para fijar el tiempo de cocción.
- Oprima **“On/Off Oven”** (Encender/apagar horno) para apagar el horno ahumador.



Funciones de la Pantalla

Una vez que se haya oprimido el botón **“On/Off Smoker”** para encender el generador de humo, la pantalla **“Smoker Timer”** (temporizador del ahumador) titilará hasta que se haya programado el tiempo deseado. La pantalla **“Oven Meat Temp”** (Temperatura de la carne en el horno) comenzará a registrar de inmediato la temperatura interna. Una vez que se haya oprimido el botón **“On/Off”** para encender el horno, la pantalla **“Oven Timer”** titilará hasta que se haya programado el tiempo de cocción deseado. La pantalla **“Temp Setting”** (Programación de la temperatura) también titilará hasta que se haya programado la temperatura deseada.

Oprima el botón **“C/F”** para cambiar el valor programado de Celsius a Fahrenheit.

Guía de funcionamiento para los ahumadores Bradley Smoker digitales (BTDS76P, BTDS76CE-EU, BTDS108P y BTDS108CE-EU)

Consulte los números de piezas en el diagrama de la lista de componentes externos.

Curado y preparación para usar

- El curado del ahumador Bradley Smoker digital es un proceso continuo, cuanto más lo use, mejor será el sabor de los alimentos.
- El proceso de curado se realiza básicamente para eliminar los olores y sabores imparciales de su ahumador. El olor de su nuevo ahumador Bradley Smoker digital no es necesariamente el olor que desea que tengan los alimentos.

Método de curado

- Limpie las parrillas, la bandeja de goteo, el tazón de goteo y la bandeja rectangular, y colóquelos en el ahumador.
- Llene el tazón de goteo con agua hasta la mitad.
- Cargue el tubo de alimentación con 5 Bisquettes. Nota: cada Bisquette se quema durante 20 minutos. Las 2 Bisquettes adicionales sirven para empujar la última Bisquette al quemador. Estas 2 últimas Bisquettes no avanzan al quemador.
- Abra el regulador de tiro levemente en la parte superior de la torre del ahumador.
- Oprima **“On/Off Smoker”** para encender el aparato.
- Precaliente el quemador de bisquettes durante 20 minutos.
- Presione **“>>>Wood”** para avanzar un bisquette en el quemador.
- Programe **“Smoker Timer Set”** (Programar temporizador de; ahumador) para 1 hora.
- Presione **“On/Off Oven”** (Encender/apagar horno) para encender el horno.
- Programe **“Oven Temp Set”** (Programar temperatura del horno) en 150 °F (66 °C).
- Programe **“Oven Timer Set”** (Programar temporizador del horno) en 1 hora.

Nota: El ahumador estará curado cuando se haya alcanzado una temperatura de 66 °C (150 °F) y haya ahumado durante 1 hora.

Cómo comenzar (vea “Guía de funciones de la pantalla”)

- Después de curar el ahumador, vuelva a llenar el tazón de goteo con agua hasta la mitad.
- Cargue la cantidad deseada de bisquettes en el tubo de alimentación.
- Presione **“On/Off Smoker”** (Encender/apagar ahumador) para encender el generador de humo.
- Precaliente el quemador de bisquettes durante 20 minutos.
- Presione **“>>>Wood”** (>>> madera). Deje transcurrir un tiempo para que el bisquette avance. Repita este paso dos veces para mover un bisquette al quemador.
- Presione **“Smoker Timer Set”** (Programar temporizador de; ahumador) para el tiempo de ahumado.
- Coloque los alimentos en las parrillas y cárguelos en el ahumador.
- Abra el regulador de tiro tanto como lo desee. No cierre el regulador de tiro completamente cuando haya humo.
- Presione **“On/Off Oven”** (Encender/apagar horno) para encender el horno ahumador.
- Presione **“Oven Temp Set”** (Programar temperatura del horno) nuevamente para programar el calor.
- Presione **“Oven Timer Set”** (Programar temporizador del horno) para programar el tiempo de cocción.
- Vaciar y rellenar el cuenco de agua cada dos horas

- Ahumado en frío: use únicamente el generador. Desenchufe el cable de acoplamiento corto (2).
- Ahumado en caliente: use el generador de humo y el horno juntos.

Nota: La pantalla digital únicamente registrará la temperatura del aire dentro de la torre. Para obtener una temperatura más precisa de los alimentos que se están ahumando, use un termómetro para carnes. Tenga en cuenta que la temperatura ambiente afectará la temperatura de cocción del ahumador. Recuerde limpiar el ahumador después de cada uso.

“Recuerde limpiar su ahumador después de cada uso”.

Instrucciones de armado

Para el Bradley Smart Smoker® con iSmoke Technology®

Modelos BS 916 y BS 916 CE

Consulte los números de pieza en la Lista de componentes externos (página 18), en la Lista de componentes internos (página 19) y en la Configuración de las conexiones eléctricas (página 20)

Cómo armar el Bradley Smart Smoker®

1. Saque el ahumador de la caja.
2. Retire todas las piezas embaladas del ahumador.
3. Quite todo el embalaje protector.

Instalación del generador de humo con Bluetooth®:

- Conecte el generador de humo (1) a la torre de humo (2), colocando el quemador de Bisquettes (E) en la abertura izquierda de la torre. Alinee las ranuras del generador con los dos soportes (3) al costado y empújelo hacia abajo para fijarlo.
- Introduzca el tubo de alimentación (4) en la parte superior del generador de humo. Empuje hacia abajo con fuerza. Cárguelo con la cantidad deseada de Bisquettes® de sabor Bradley.

Configuración de las conexiones eléctricas

- Conecte el cable del sensor (1) a la parte trasera del receptáculo (A) del sensor del generador de humo y al receptáculo (B) del sensor de la torre de humo.
- Conecte el cable de alimentación corto (2) a la parte trasera del receptáculo hembra (D) del generador de humo y luego a la parte trasera del receptáculo macho (C) de la torre de humo; empújelo bien.
- Conecte el cable de alimentación largo (3) al receptáculo de alimentación (E).

Armado de la torre del ahumador:

- Coloque las parrillas (B) sobre los soportes laterales.
- Coloque la tapa (A) de las Bisquettes sobre el quemador de Bisquettes (E). Alinee las ranuras de la tapa con los tres pasadores del soporte al costado y empújela hacia abajo para fijarla.
- Coloque la bandeja rectangular (D) en la base del ahumador.
- Llene el tazón de goteo (C) hasta $3/4$ con agua y colóquelo en el centro de la bandeja rectangular (D) para recolectar las Bisquettes quemadas. Vaciar y rellenar el cuenco de agua cada dos horas
- Conecte el cable de alimentación largo (3) desde el generador de humo hasta un tomacorriente aprobado con puesta a tierra (4).

Desarmado del generador de humo

Asegúrese de que el generador de humo haya tenido tiempo para enfriarse. Desenchufe el cable de alimentación largo (3) del tomacorriente (4) y del generador de humo (E). Desconecte el cable del sensor (1) y el cable de alimentación corto (2), y luego retire el generador de humo de la torre de humo, elevándolo y tirando hacia afuera cuidadosamente.

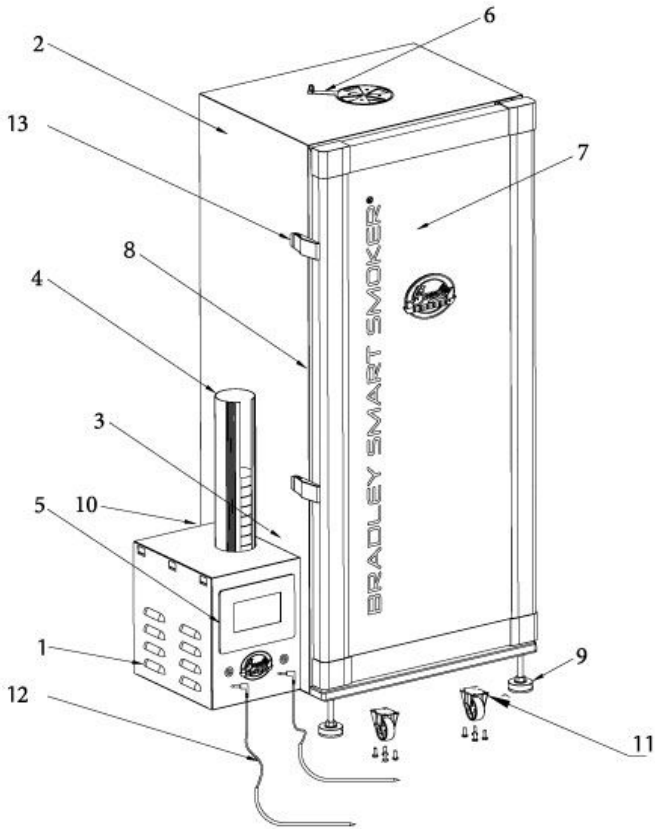
Advertencia: los cambios o modificaciones en esta unidad que no estén expresamente aprobados por la parte responsable del cumplimiento normativo podrían anular la autoridad del usuario para manejar el equipo.

NOTA: este equipo ha sido probado y se ha demostrado que cumple con los límites para los dispositivos digitales de Clase B, conforme a la Parte 15 de las normativas FCC. Estos límites están diseñados para proporcionar protección razonable contra interferencias en un entorno residencial. Este equipo genera, usa y puede emitir energía de radiofrecuencia y, si no se instala y utiliza de acuerdo con las instrucciones, puede provocar interferencias dañinas a comunicaciones de radio.

Sin embargo, no hay garantía de que no ocurran interferencias en una instalación en particular. Si este equipamiento provoca interferencias dañinas para la recepción de radio o televisión, lo cual puede determinarse encendiendo y apagando el equipamiento, se anima al usuario a intentar corregir la interferencia mediante una o más de las siguientes medidas:

- Reoriente o cambie de ubicación la antena receptora.
- Aumente la separación entre el equipo y el receptor.
- Conecte el equipo a una salida de un circuito diferente de aquel en el que el receptor está conectado.
- Consulte con el vendedor o con un técnico experimentado de radio/TV para obtener asistencia.

Bradley Smart Smoker® con iSmoke Technology®
BS 916 y BS 916 CE
Lista de componentes externos



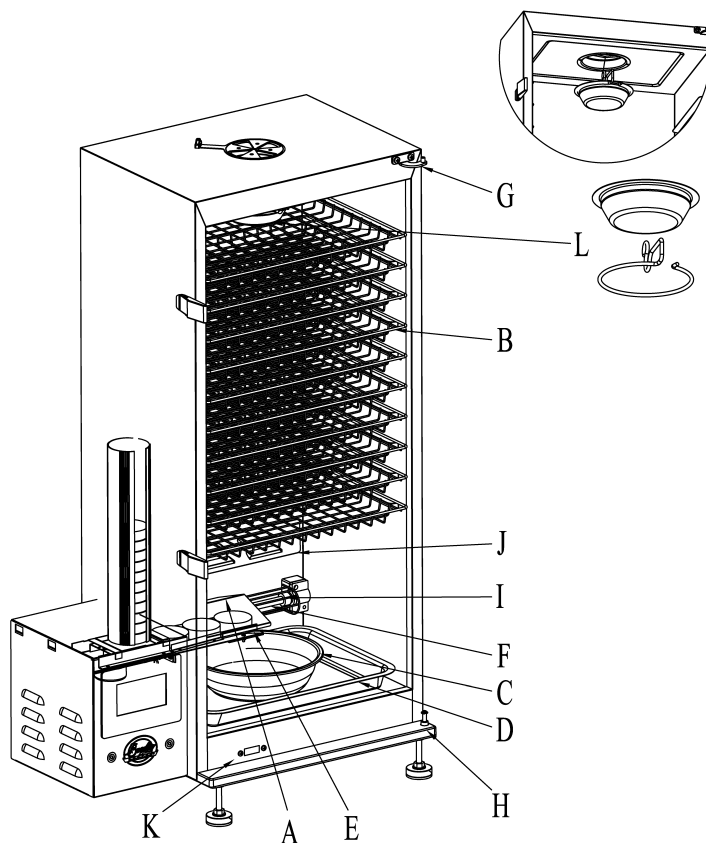
Lista de piezas exteriores

- | | |
|--|--|
| 1. Generador de humo con Bluetooth® | 8. Sello de la puerta (no se ve en la imagen) |
| 2. Torre de humo | 9. Pies ajustables |
| 3. Soportes del generador (no se ven en la imagen) | 10. Cable del sensor y dos cables de alimentación (no se ven en la imagen) |
| 4. Tubo de alimentación | 11. Ruedas (opcionales) |
| 5. Panel digital con Bluetooth® | 12. Sondas para carne |
| 6. Humidificador | 13. Pestillos de la puerta |
| 7. Puerta | |

Bradley Smart Smoker® con iSmoke Technology®

BS916 y BS916CE

Lista de componentes internos



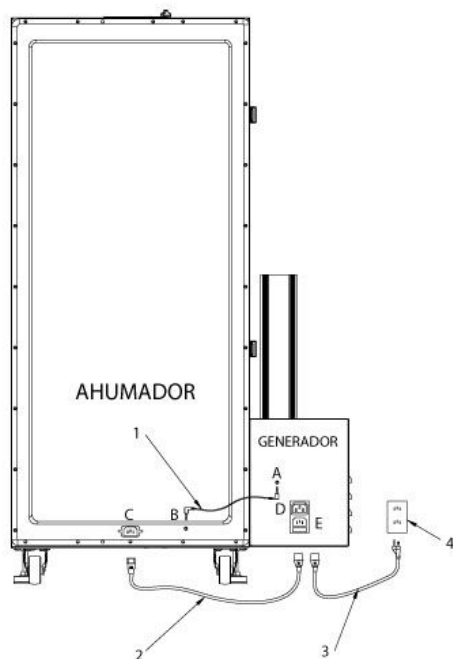
Lista de piezas internas

- | | |
|---|--|
| A) Tapa de Bisquettes | G) Bisagra superior de la puerta |
| B) Parrillas (se incluyen 6) | H) Bisagra inferior de la puerta |
| C) Tazón de goteo | I) Aislante de porcelana |
| D) Bandeja inferior rectangular | J) Tapa del elemento calentador |
| E) Quemador de Bisquettes (no se incluyen Bisquettes) | K) Interruptor de seguridad de la puerta |
| F) Elemento calentador | L) Bol de condensación y gancho |

CONFIGURACIÓN DE LAS CONEXIONES ELÉCTRICAS

(después de instalar el generador al lado del ahumador)

EN ESTE ORDEN



1. Conecte el cable del sensor (1) a la parte trasera del generador (A) y del ahumador (B).
2. Conecte el cable puente corto (2) en los receptáculos del ahumador (C) y del generador (D).
3. Conecte el cable de alimentación largo (3) al receptáculo de alimentación (E) del generador.
4. Por último, conecte el cable largo (3) a un tomacorriente (4). Debe usar cables prolongadores para exteriores y la conexión del cable debe estar seca y no entrar en contacto con el suelo.

PRECAUCIÓN

PARA GARANTIZAR UNA PROTECCIÓN CONSTANTE CONTRA RIESGO DE DESCARGAS ELÉCTRICAS, SOLO CONÉCTELO A UN TOMACORRIENTE CON PUESTA A TIERRA ADECUADA

PRECAUCIÓN

DESCONÉCTELO DEL TOMACORRIENTE ANTES DE CUALQUIER TAREA DE LIMPIEZA O MANTENIMIENTO

NO LO SUMERJA EN AGUA NI LO EXPONGA A LA LLUVIA

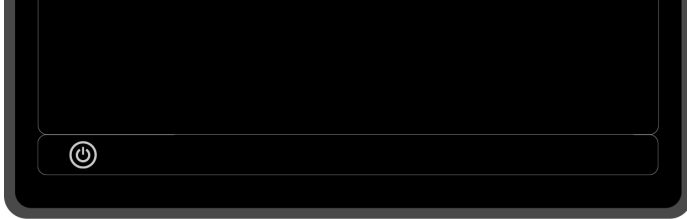
Uso óptimo de su Bradley Smoker

1. El Bradley Smoker está diseñado para cocinar a baja temperatura y lentamente. Tómese su tiempo y haga los planes correspondientes, ya que este ahumador fue diseñado para ahumar lentamente a una temperatura baja. De esta manera, el resultado final tiene un mejor sabor y un mejor aroma.
2. No sobrecargue las parrillas: siempre deje espacio para permitir un flujo constante de aire; de lo contrario, el humo quedará atrapado y no circulará por toda la unidad.
3. Para cocinar o ahumar comidas de manera uniforme, se recomienda alternar las parrillas de arriba a abajo, y de adelante a atrás.
4. El tiempo y la temperatura del ahumado varía según las siguientes condiciones:
 - a) La temperatura ambiente
 - b) La cantidad de alimento en el ahumador
 - c) La temperatura interna de lo que esté ahumando
 - d) Las mediciones de temperatura en la pantalla son solo a modo de referencia
5. NUNCA cierre por completo la ventilación del ahumador.
6. Vaciar y rellenar el cuenco de agua cada dos horas.
7. Al cocinar o ahumar alimentos con mucho aceite y mucha grasa, coloque el plato o tazón justo debajo de la comida, para recolectar la mayor cantidad de grasa posible. Esto ayudará a mantener el Bradley Smoker limpio y prolongará su vida útil. También ayudará a evitar la posibilidad de que se produzca un incendio por la grasa.
8. Para aumentar la vida útil del ahumador, manténgalo siempre limpio.

Nota: los cables de las sondas para carne no pueden lavarse en un lavavajillas. No sumerja los cables en agua ni en ningún tipo de líquido; esto los dañará de manera permanente.

Guía de funciones de la pantalla

Después de conectar todos los cables, la pantalla táctil se iniciará y el botón "On/Off" (Encendido/Apagado) se iluminará en la esquina inferior izquierda.



Presione el botón "On/Off" (Encendido/Apagado) para encender la pantalla del generador. La pantalla del generador reproducirá una animación de inicio.



Escoja el idioma de funcionamiento (solo deberá escoger el idioma la primera vez que encienda el ahumador). Puede escoger entre 15 idiomas.

Nota: si se equivoca al escoger el idioma, presione el botón de estadísticas para cambiar el idioma.



Pantalla principal de funciones



La **pantalla táctil** se divide en tres secciones:

A la izquierda se encuentran los temporizadores y a la derecha los controles de temperatura. En la parte inferior de la pantalla se encuentran los controles auxiliares. Para regresar a la pantalla principal en cualquier momento, presione el logotipo de Bradley Smoker.

Temporizador de ahumado

Toque o presione los números en TIEMPO AHUMADO para cambiar el tiempo de ahumado que quiera. Ejemplo: para 3 horas y 30 minutos, presione 0-3-3-0. El temporizador se iniciará luego de 2 segundos y volverá a aparecer la pantalla principal. La configuración máxima de tiempo de ahumado es 9:40 h.

Avance de Bisquettes

Toque o presione el icono de la Bisquette humeante y escoja 1 o 2 para impulsar Bisquettes al quemador, una o dos veces respectivamente. Una vez que se haya enviado la Bisquette, regresará a la pantalla principal.

Temporizador del horno

Toque o presione los números en TIEMPO HORNEADO para cambiar el tiempo de horneado que quiera. Ejemplo: para 3 horas y 30 minutos, presione 0-3-3-0. El temporizador se iniciará luego de 2 segundos y volverá a aparecer la pantalla principal. La configuración máxima de tiempo de horneado es 9:40 h.

Configuración de la temperatura del horno

Toque o presione el número en TEMP. HORNO para cambiar la temperatura de horneado que quiera. Ejemplo: para 249 °C, presione 2-4-9. Regresará a la pantalla principal después de 2 segundos. En el campo Actual, se muestra la temperatura actual en el interior del horno. La configuración máxima de temperatura es 160 °C (320 °F).

No sobrepase los 140 °C (280 °F) de temperatura.

Puede cambiar la temperatura entre Celsius y Fahrenheit presionando C y F respectivamente.

Cómo configurar la medición de temperatura de las sondas para carne

El Bradley Smart Smoker BS916 incluye dos sondas de dos colores diferentes. Introduzca cualquiera de las dos en el receptáculo del mismo color, ubicado debajo de la pantalla del generador.


Presione los dígitos de TEMP. SONDA y aparecerá la pantalla de ajuste de temperatura de la carne.


Escoja la configuración que quiera: POR TEMP. o PREDEF.

Si escoge la opción POR TEMP., podrá establecer manualmente la temperatura interna objetivo de la carne.


Si escoge la opción PREDEF., podrá personalizar las temperaturas internas objetivo en la selección de carnes y en los niveles de temperatura interna de cocción incorporados.


Funciones auxiliares de la pantalla

El bloqueo de seguridad para niños deshabilita todas las funciones táctiles del generador y el candado se vuelve rojo. Esto no afecta al dispositivo remoto. 

Puede modificar el brillo de la pantalla presionando el icono de .

Puede cambiar la temperatura entre Fahrenheit y Celsius presionando los iconos F o C respectivamente.

Cuando se establezca una conexión Bluetooth, el icono de Bluetooth se pondrá azul. 

Para ver diferentes tipos de estadísticas o cambiar el idioma de funcionamiento, presione el icono de estadísticas. 



Para consultar el manual de iSmoke Technology, descargue la aplicación Bradley iSmoke de iTunes o de la tienda Google Play.

Guía de uso

Para el Bradley Smart Smoker® con iSmoke Technology®

Modelos BS 916 y BS 916 CE

Consulte los números de las piezas en la Lista de componentes externos (página 18).

Curado y preparación para uso

El rango de operación ambiental ideal para el Bradley Smoker oscila entre 4°C y 21°C (40°F a 70°F). Si se encuentra en un lugar con una temperatura más baja o más alta, el rendimiento del ahumador y el resultado de la comida se verán afectados.

Método de curado:

El curado del Bradley Smoker® es un proceso continuo; cuanto más lo use, mejor sabor tendrán las comidas.

- Limpie las parrillas, la tapa de Bisquettes, el tazón de goteo y la bandeja rectangular; coloque todo en el ahumador.
- Llene con agua 3/4 del tazón de goteo.
- Cargue el tubo de alimentación con 5 Bisquettes. Las 2 Bisquettes adicionales empujarán a la Bisquette final al quemador. Estas últimas 2 Bisquettes no avanzarán hacia el quemador.
- *Nota: cada Bisquette se quema durante 20 minutos.*
- Abra el humidificador en la parte superior de la torre de humo.
- Enchufe el ahumador a un tomacorriente exclusivo.
- Encienda el generador de humo presionando el botón On/Off (Encendido/Apagado) del generador (página 22).
- Precaliente el quemador de Bisquettes durante 20 minutos.

- Presione el botón AVANZAR BISQUETTE hasta que haya una Bisquette en el quemador de Bisquettes (E).
- Encienda el ahumador (página 23) y configure la temperatura a un nivel intermedio de 66 °C (150 °F). Espere de 20 a 30 minutos.
- Genere humo en la torre de manera continua a 66 °C (150 °F) durante una hora o hasta que se hayan consumido las Bisquettes.
- El ahumador estará curado al llegar a 66 °C (150 °F) y al haber producido humo durante una hora.

Cómo comenzar

- Después de curar el ahumador, vuelva a llenar con agua 3/4 del tazón de goteo.
- Encienda el generador de humo presionando el botón On/Off (Encendido/Apagado) del generador. Esto precalienta el quemador de Bisquettes.
- Presione el botón AVANZAR BISQUETTE.
Nota: después de presionar el botón de avanzar Bisquette, comenzará un nuevo ciclo o, en aproximadamente 20 minutos, avanzará la siguiente Bisquette.
- Precaliente el horno a la temperatura a la que quiere cocinar.
- Coloque la comida sobre las parrillas de horneado e introdúzcalas en el ahumador.
- Modifique la abertura del humidificador según su preferencia. No cierre por

completo el humidificador cuando se esté produciendo humo, ya que esto podría dañar el generador de humo.

- Quizá tenga que modificar la temperatura del horno para llegar al punto deseado.

Nota: la temperatura en el campo Actual es la temperatura del aire en el interior de la torre. Para medir con más precisión la temperatura de la comida que está ahumando, use las sondas para carne incluidas (12). Tenga en cuenta que la temperatura ambiente influye en la temperatura de cocción del ahumador.

Recuerde limpiar el ahumador después de cada uso.

GARANTÍA

El Bradley Smoker tiene 1 año de garantía limitada en caso de defectos de fabricación.

Requisitos y limitaciones:

La garantía entra en vigencia a partir del día de la compra. Conserve la factura como prueba de la fecha de compra. La garantía está limitada a la reparación o a la sustitución de piezas según lo determina Bradley Technologies Inc.

Según su criterio, Bradley Technologies Inc. suministrará una pieza de repuesto de cualquier componente que Bradley Technologies Inc. determine como defectuoso y no se hará cargo de ningún tipo de rearmado.

Esta garantía no es transferible y se anulará si el producto se utiliza con fines comerciales o si se alquila. La garantía solo cubre defectos de fábrica. Esta garantía limitada no le reembolsará el gasto por ningún problema, alimento, lesión personal o daño a la propiedad.

La garantía es solo válida en el país donde haya hecho la compra. Los cargos por envío y manipulación de todos los pedidos de piezas fuera de garantía son responsabilidad del cliente/comprador original. Debe incluir el número de serie del ahumador en todos los reclamos de garantía.

Bradley Technologies excluye de su garantía lo siguiente:

No están cubiertos los defectos y daños como resultado de accidentes, abusos, usos inadecuados, alteraciones, armado/instalación incorrectos y vandalismo. No están cubiertos los daños provocados por condiciones climáticas como, entre otras, granizo, huracanes, tornados, terremotos, viento, lluvia o nieve.

Esta garantía no cubre el desgaste por uso normal, ni las roturas ni rayones en el acabado de la superficie. La decoloración por exposición a la luz solar, el calor o sustancias químicas tampoco está cubierta por esta garantía.

Esta garantía no cubre daños causados por llamaradas o incendios de grasa acumulada a causa de no realizar, entre otros, el mantenimiento regular y las comprobaciones de seguridad y servicio.

Para garantizar su satisfacción y a los fines de un servicio de seguimiento, registre su ahumador en línea en: www.bradleysmoker.com.

Para consultas sobre la garantía y atención al cliente, llame al: 1 866-508-7514 (sin cargo).



Bedienungsanleitung

Model Name	120V Models	240V Models
Bradley 4 Rack Digital Smoker	BTDS76P	BTDS76CE-EU
Bradley 6 Rack Digital Smoker	BTDS108P	BTDS108CE-EU
The Original Bradley Smoker	BS611*(A-Z)	BS611*(A-Z)
The Original XLT Bradley Smoker	BS815XLT*(A-Z)	BS815XLTCE*(A-Z)
The Bradley Smart Smoker	BS916	BS916CE



Bradley Technologies Canada Inc.

1-866-508-7514

info@bradleysmoker.com

www.bradleysmoker.com

Gedruckt in China

März 2016

Sehr geehrte Damen und Herren,

Revolutionäre Räuchertechnologie für den Chefkoch im eigenen Heim

Wir heißen Sie herzlich bei uns und unseren bahnbrechenden Räucheröfen zum Räuchern und schonenden Schmoren für den Hausgebrauch willkommen. Der Bradley Smoker ist ein isolierter Räucherofen, der für die kontinuierliche Erzeugung sauberen Rauchs konzipiert ist. Mit diesem Elektrogerät für den Außenbereich können Lebensmittel gekocht, gebraten oder heiß und kalt geräuchert werden, und das stets mit herausragenden Ergebnissen und minimalem Aufwand.

Der Bradley Smoker besticht durch seine einzigartige Technologie, deren Rauch vier Mal sauberer ist als Rauch von herkömmlichen Spänen in einer Brennpfanne*. Automatisches Löschen der verbrannten Bisquette verhindert die Entstehung von Gasen und Säuren bei hohen Temperaturen. Darüber hinaus entspricht der Bradley Smoker sowohl nordamerikanischen als auch europäischen Haushaltsgerätenormen.

Die eigens für Ihren Smoker hergestellten Bradley Aromabisquettes werden in elf verschiedenen Holzsorten angeboten: Erle, Apfel, Kirsche, Hickory, Ahorn, Mesquite, Eiche, Pecannuss, Pacific Blend, Special Blend und Whiskey Eiche. Kochideen finden Sie im beiliegenden Rezeptheft sowie auf unserer Website: www.bradleysmoker.com.

Probieren Sie doch auch unsere Bradley Rezeptsammlung, Beizen, Bradley Jerkyroste, Bradley Originalroste, Wursthaken, Wetterschutzhüllen, Kappen, Schürzen und das Bradley Digitalthermometer mit Fleischsonde für punktgenaues Schmoren und Räuchern von Fleisch.

Ich wünsche Ihnen in den kommenden Jahren viel Spaß beim Kochen und Räuchern!

Herzliche Grüße,



Wade Bradley

**Basierend auf Studien und Tests, durchgeführt vom British Columbia Institute of Technology.*

Wichtige Sicherheitshinweise

Bitte bewahren Sie diese Anweisungen sorgfältig auf.

Lesen Sie vor Inbetriebnahme des Geräts alle Anweisungen sorgfältig durch.

Grundlegende Sicherheitsvorschriften •

Lesen Sie die Montageanleitung sorgfältig durch, um Ihren Smoker fachgerecht zusammensetzen zu können.

- Heiße Oberflächen nicht berühren. Nutzen Sie die Griffe und Knöpfe.
- Tauchen Sie Kabel und Stecker nicht in Wasser oder andere Flüssigkeiten, um die Gefahr eines Stromschlags zu vermeiden.
- Besondere Aufsicht ist notwendig, wenn das Gerät von oder in der Nähe von Kindern benutzt wird.
- Ziehen Sie vor einer Reinigung oder wenn Sie das Gerät nicht benutzen den Netzstecker aus der Steckdose. Lassen Sie das Gerät abkühlen, bevor Teile angebracht oder entfernt werden.
- Haushaltsgeräte mit beschädigten Stromkabeln oder Steckern bzw. nach Störung oder Beschädigung nicht verwenden.
- Verwenden Sie aufgrund der möglichen Verletzungsgefahr keine Zubehörteile und Zusatzgeräte, die nicht vom Hersteller empfohlen wurden.
- Führen Sie keine Veränderungen am Originalzustand Ihres Smokers durch.
- Kabel dürfen nicht über Tischkanten und Arbeitsflächen hängen oder mit heißen Oberflächen in Berührung kommen.

- Nicht auf oder in die Nähe eines heißen Gas- oder Elektroofens oder in einen geheizten Ofen stellen.

- Beim Bewegen eines Geräts, das heißes Öl oder andere heiße Flüssigkeiten enthält, ist extreme Vorsicht geboten.

- Stromkabel immer erst am Gerät und danach in die Wandsteckdose einstecken. Zum Ausschalten des Geräts stellen Sie alle Bedienelemente auf "OFF" und ziehen dann den Stecker aus der Steckdose.

- Benutzen Sie das Gerät nur für den vorgesehenen Verwendungszweck.

- Nutzen Sie keine anderen Holzsorten als die Bradley Aromabisquettes®.

- Beim Heben und Bewegen des Smokers Vorsicht walten lassen, um Zerrungen und Rückenverletzungen zu vermeiden.

- Beim Umgang mit dem Smoker, beim Öffnen und darin Hantieren Vorsicht walten lassen.

- Es wird empfohlen, einen Feuerlöscher in Reichweite des Smokers zu positionieren. Wenden Sie sich bezüglich der Größe und Art des benötigten Feuerlöschers an Ihre örtliche Behörde.

- Längere abnehmbare Netzanschlussleitungen oder Verlängerungskabel sind erhältlich und können bei vorsichtiger Anwendung eingesetzt werden.

Lesen Sie die Montageanleitung sorgfältig durch, um Ihren Smoker fachgerecht vorzubereiten.

Nur im Freien Verwenden

Warnung Kohlenmonoxidgefahr

- Bei der Verbrennung von Holz wird Kohlenmonoxid freigesetzt, was zum Tode führen kann.
- Holzkohle **NIEMALS** im Innern von Wohnungen, Fahrzeugen, Zelten, Garagen oder geschlossenen Räumen verwenden.
- Nur zur Verwendung im Freien mit guter Belüftung.
- Sollte eine längere, abnehmbare Netzanschlussleitung oder ein Verlängerungskabel genutzt werden, müssen die auf dem Produkt vermerkten Stromanforderungen mindestens so hoch sein wie die des Geräts.
- Um Stolpergefahr zu vermeiden und zu verhindern, dass Kinder an dem Kabel ziehen, sollte dieses so arrangiert werden, dass es nicht über die Kante der Arbeitsfläche herunterhängt.
- Sollte ein Verlängerungskabel benötigt werden, muss es sich um ein zugelassenes Hochleistungskabel von maximal 1,85 m (6 Feet) Länge handeln.
- Für Geräte, die im Freien genutzt werden, sollten Verlängerungskabel für den Außengebrauch eingesetzt werden. Diese sind mit der DIN-Norm "IP44" sowie der Aufschrift "Für den Einsatz im Freien" gekennzeichnet.
- **ACHTUNG: Stromschlaggefahr!** Sorgen Sie dafür, dass die Verbindung des Verlängerungskabels trocken bleibt und nicht auf dem Boden aufliegt.
- Verpackungsmaterial vorschriftsgemäß entsorgen.
- Vorsicht bei Montage, Betrieb, Handhabung und Säuberung Ihres Smoker, da manche Metallkanten scharf sein könnten.

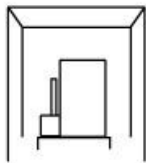
- Dieses Gerät ist nicht für die Nutzung durch Personen (einschließlich Kinder) mit eingeschränkten körperlichen, geistigen oder sensorischen Fähigkeiten oder ohne ausreichende Erfahrung und Fachkenntnis geeignet, es sei denn, sie werden durch eine Person, die für ihre Sicherheit verantwortlich ist, beaufsichtigt oder von ihr bezüglich der Nutzung des Geräts eingewiesen.
- Kinder müssen beaufsichtigt werden, um sicherzugehen, dass sie nicht mit dem Gerät spielen.
- Dieses Gerät wird bei Verwendung heiß. Es sollte darauf geachtet werden, die Heizelemente im Inneren des Ofens nicht zu berühren.
- **WARNUNG:** Zugängliche Teile können während der Nutzung heiß werden. Um Verbrennungen zu vermeiden, sollten kleine Kinder von dem Gerät ferngehalten werden.
- **WARNUNG:** Das Gerät und seine zugänglichen Teile werden während der Nutzung heiß.
- Es sollte darauf geachtet werden, die Heizelemente nicht zu berühren.
- Kinder, die jünger sind als 8 Jahre, sollten von dem Gerät ferngehalten werden, es sei denn, sie befinden sich unter permanenter Beaufsichtigung.
- Dieses Gerät kann von Kindern, die 8 Jahre und älter sind sowie von Personen mit eingeschränkten körperlichen, geistigen oder sensorischen Fähigkeiten oder ohne ausreichende Erfahrung und Fachkenntnis genutzt werden, wenn sie Anweisungen für den sicheren Gebrauch des Geräts erhalten haben,

die involvierten Risiken kennen oder unter Aufsicht stehen. Kinder dürfen nicht mit dem Gerät spielen.

- Reinigung und Wartungsarbeiten sollten nicht von Kindern ohne Aufsicht durchgeführt werden.
- Die Oberflächen der Roste können heiß werden.
- Zur Reinigung keinen Dampfstrahlreiner verwenden.

Während der Nutzung:

- Nicht unbeaufsichtigt lassen.
- Smoker erst nach abgeschlossener Montage an das Stromnetz anschließen.
- Roste und Abtropfschale nicht mit Alufolie abdecken oder abdichten, da dies Ihren Smoker erheblich beschädigen könnte.
- Smoker während der Nutzung nicht bewegen.
- Die Temperatur von 140 °C (280 °F) nicht überschreiten.
- Zur Vermeidung von Verbrennungen an den Händen grundsätzlich Ofenhandschuhe tragen.
- Keine weite Kleidung oder lange Haare offen tragen.
- Verpackungskarton nicht als Abdeckung für den Smoker verwenden.
- Ausschließlich zugelassene, geerdete Steckdosen nutzen.
- Den Räucherofen grundsätzlich vor Regenwasser schützen. Gerät unter einer Abdeckung von 3 x 3 x



2,5m (118 x 118 x 100 Zoll) positionieren. Um die Entwicklung von Rauch und Kohlenmonoxid zu vermeiden, das Gerät nicht in geschlossenen Räumen verwenden. Zur Vermeidung eines Stromschlags das Gerät unter einem Schutzstand oder einer Pergola nutzen.

- Nicht bei windigen Wetterverhältnissen oder während Gewitter nutzen.
- Nicht in der Nähe von Benzin oder anderen brennbaren Flüssigkeiten, Gasen oder bei möglichem Vorhandensein feuergefährlicher Dämpfe verwenden.
- An einem für Kinder und Haustiere unzugänglichen Ort aufstellen.
- Nicht in Wasser eintauchen.

Leeren Sie Ihre Wasserschüssel alle 2 Stunden und befüllen Sie sie neu

Nach jeder Verwendung

- Smoker bei Nichtgebrauch von der Stromversorgung nehmen. Siehe Abschnitt "Allgemeine Wartungshinweise".
- Erlöschene Bradley Aromabisquetten® in sicherer Entfernung von allen Gebäuden und brennbaren Stoffen entsorgen.
- Smoker an einem trockenen, abgedeckten, für Kinder unzugänglichen Ort aufbewahren.
- Fett sorgfältig entfernen. Fettansammlung kann zu Brandgefahr führen.
- Dieses Gerät darf nicht mit einem Dampfstrahler gereinigt werden.

Diese Anweisungen sorgfältig aufbewahren.

Allgemeine Wartungshinweise

Siehe Darstellung und Liste der externen und internen Bauteile

Wichtige Sicherheitsvorschriften

- Der Bradley Smoker muss nach jeder Verwendung gewartet und gereinigt werden.
- Vor Wartung oder Reinigung das lange Stromkabel von der Stromversorgung abnehmen.
- Smoker nicht in Wasser eintauchen.
- Das Innere des Smokers darf mit keiner Art von Reinigungsmittel besprüht werden.
- Roste und Abtropfschale nicht mit Alufolie abdecken oder abdichten, da dies Ihren Smoker erheblich beschädigen könnte.
- Während der Nutzung nicht unbeaufsichtigt lassen.
- Smoker nicht mit übermäßig viel Wasser säubern oder abspritzen. Verwenden Sie zur Reinigung einen feuchten Lappen.

Wartungsvorschriften

- Vorsicht bei Handhabung und Säuberung Ihres Smoker, da manche Metallkanten scharf sein könnten.
- Auffangschale sorgfältig säubern. Alle verbrannten Bisquetten vorsichtig entsorgen, da diese immer noch heiß sein können.
- Die Luftklappe (auf der Oberseite des Smokers) säubern, um sicherzugehen, dass sie nicht feststeckt.
- Zum Entfernen von Rückständen und Essensresten die Türdichtung mit

- Die Abtropfschale, Roste, das untere rechteckige Becken und die Auffangschale mit heißem Wasser und Geschirrspülmittel säubern oder in der Geschirrspülmaschine waschen.
 - Essens- und Fettreste aus dem Smoker entfernen. Sollte der Innenraum des Smokers gesäubert werden müssen, einen feuchten Lappen verwenden.
 - *Anmerkung: Die Räucherammer sollte Rauch oder schwarze Rückstände auf der Innenseite aufweisen. Je mehr Rückstände vorhanden sind, desto besser ist der Geschmack des Endprodukts.*
 - Der Raucherzeuger muss immer sauber und fettfrei sein. Späne grundsätzlich entfernen. Im Raucherzeuger angesammelte lose Späne einfach weggeblasen oder absaugen.
 - Ziehen Sie das lange Stromkabel ab, bevor Sie den Raucherzeuger von der Smoker-Räucherammer entfernen. Siehe „Raucherzeuger entfernen“ in der „Montageanleitung“. Zum Entfernen etwaiger Verbrennungsrückstände den Bisquetten-Brenner leicht mit einer Drahtbürste oder einem Schaber abbürsten.
- warmem Wasser und Geschirrspülmittel abwischen.

Nach dem Reinigen

- Prüfen Sie, ob die Auffangschale, das untere rechteckige Becken und die Tropfwanne sauber und trocken sind, bevor Sie sie in den Smoker zurückstellen.

- Raucherzeuger wieder in die Räucherkammer zurückschieben.
- Stellen Sie sicher, dass das lange Stromkabel vom Stromnetz abgezogen ist.

Problembehandlung

Keine Stromzufuhr in der Räucherkammer

Überprüfen Sie, ob alle Stecker ordnungsgemäß und komplett in den Steckdosen eingesteckt sind. Überprüfen Sie die Sicherung, die sich am Raucherzeuger befindet. Vergewissern Sie sich, dass der Fehlerstromschutzschalter der Steckdose nicht ausgelöst wurde.

Bisquetten rücken nicht vor

Überprüfen Sie den Vorrückmechanismus und entfernen Sie alle losen Holzspäne. Das Steckenbleiben der Bisquetten sowie unnötiger Verschleiß kann durch die Reinigung des Raucherzeugers vermieden werden.

Bisquetten verbrennen nicht vollständig

Überprüfen Sie, ob weitere Geräte an diesem Stromkreis angeschlossen sind. Der Smoker sollte über seinen eigenen Stromkreis verfügen. Stellen Sie sicher, dass der Bisquetten-Brenner keine abgelagerten Rückständen aufweist.

Räucherkammer erreicht die Temperaturen nicht

Geben Sie der Räucherkammer ausreichend Zeit zum Vorheizen. Beachten Sie, dass die Temperatur absinkt, wenn Sie die Tür öffnen, um Lebensmittel in den Ofen zu stellen, und danach erst langsam wieder ansteigt. Schließen Sie die Luftklappe ein wenig und schützen Sie den Smoker vor Wind. Verwenden Sie ein separates Thermometer innerhalb der Räucherkammer, um sicherzustellen, dass die Temperaturanzeige funktioniert.

Anmerkung: Die normale Gartemperatur liegt zwischen 95 - 120 °C (200 – 250 °F). Denken Sie daran, dass die auf dem Display angezeigte Temperatur nur als Hinweis dient und nicht die exakte Kerntemperatur der Lebensmittel angibt. Die Kerntemperatur steigt, je näher sich die Lebensmittel am Heizelement befinden.

Sollten Sie weitere Hilfe benötigen, setzen Sie sich bitte mit unserem Kundendienst unter der folgenden Telefonnummer in Verbindung 1-866-508-7514.

MONTAGEANLEITUNG

The Original Bradley Smoker

(Model: BS611; BS611EU; BS815XL; BS815XLCE)

Für den Black Smoker siehe S. 5 für 4-Rost und 6-Rost Digital Smoker S. 12

Siehe Bauteilnummern in den Listen der externen und internen Bauteile sowie Schaltverbindungen

Wie man den Original Bradley Smoker® aufbaut

1. Smoker aus der Verpackung heben.
2. Alle verpackten Teile aus dem Smoker nehmen.
3. Sämtliche Schutzverpackungen entfernen.

Raucherzeuger mit Drehschalter installieren:

- Raucherzeuger m. Drehschalter (1) an der Räucherkammer (2) anbringen.
- Bisquetten-Brenner (F) durch die linke Kammeröffnung schieben.
- Die Raucherzeuger-Stiftöffnungen auf die beiden Stützen (3) an der Seite ausrichten.
- Raucherzeuger mit Drehschalter fest andrücken.
- Das Füllrohr (4) an der Oberseite des Raucherzeugers einführen und festdrücken. Mit der gewünschten Anzahl Bradley Aromabisquetten® bestücken.
- Kurzes Stromkabel (E nicht abgebildet vom Raucherzeuger mit Drehschalter an der Räucherkammer einstecken.

Räucherkammer aufstellen:

- Roste (C) auf Seitenstützen schieben.
- Auffangschale (B), mit „V“ nach unten unter die Roste auf die seitlichen Messingstifte stellen.
- Das rechteckige Becken (J) unten in den Smoker schieben.
- Die Tropfwanne (D) zur Hälfte mit Wasser füllen und zum Auffangen der ausgebrannten Bisquetten in die Mitte des rechteckigen Beckens stellen. Bei längerer Räucherdauer das Wasser in der Tropfwanne alle 2-3 St. auswechseln.
- Das lange Stromkabel (A) des Raucherzeugers in eine zugelassene geerdete Steckdose stecken.

Ausbau des Raucherzeugers mit Drehschalter

- Kurzes Startkabel abziehen (E).
- Raucherzeuger mit Drehschalter von der Räucherkammer loslösen, indem man ihn vorsichtig anhebt und nach oben hin herauszieht.

Verpackung

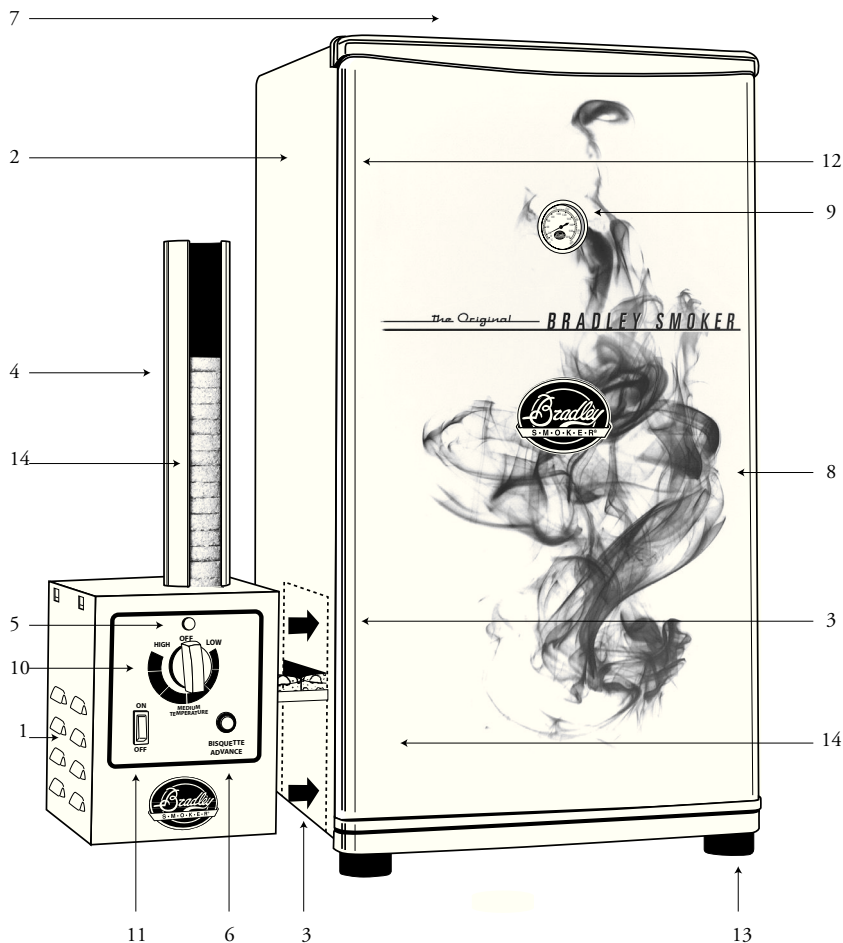
Verpackungsmaterial ordnungsgemäß entsorgen. Verpackungsschachtel nicht als Abdeckung für den Smoker verwenden.

The Original Bradley Smoker®

BS611 and BS611EU

BS815XLT, BS815XLTCE

Liste der externen Bauteile



Liste der externen Komponenten

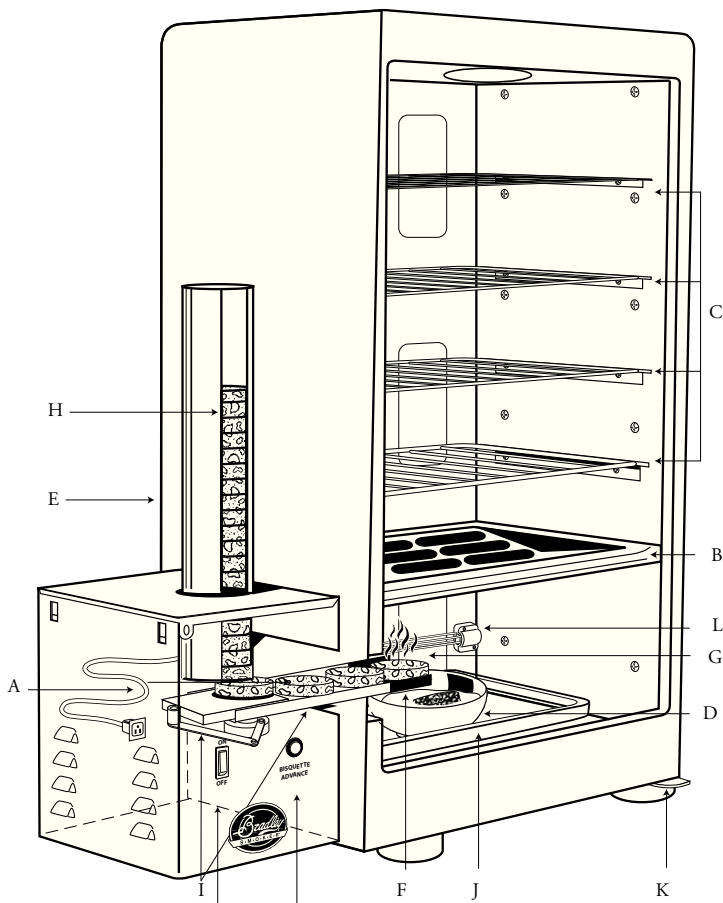
- | | |
|---|---|
| 1. Raucherzeuger m. Drehschalter | 8. Tür |
| 2. Räucherammer | 9. Thermometer |
| 3. Generator-Stützen | 10. Temperatur-Drehschalter (ein/aus) |
| 4. Füllrohr | 11. Generator Ein/Aus-Schalter |
| 5. Raucherzeuger Anzeigeleuchte | 12. Türdichtung |
| 6. Bisquette Vorrückschalter | 13. Gummifüße |
| 7. Regulierklappe m. Griff (nicht abgebil.) | 14. Bisquette (nicht mit Smoker mitgeliefert) |

The Original Bradley Smoker®

BS611 and BS611EU

BS815XLT AND BS815XLTCE

Liste der internen Bauteile



Liste der internen Komponenten

- | | |
|--|--|
| A) Langes Stromkabel | G) 500 Watt- Heizelement |
| B) Auffangschale | H) Aromabisquettes® (nicht mitgeliefert) |
| C) Bratroste | I) Führungsnut |
| D) Tropfwanne | J) Unteres rechteckiges Becken |
| E) kurzes Startkabel (nicht abgeb.) zum Anschluss an den Generator | K) Türangel |
| F) Bisquettes-Brenner | L) Porzellanhalterung |

Bedienungshinweise

Für den BS611 und den BS611EU - Original Bradley Smoker BS815XLT, BS815XLTCE

Beziehen Sie sich auf die Bauteilnummern auf der Abbildung der externen Bauteile

Einfuern u. Vorbereitung für die Verwendung

Das Einfuern des Bradley Smoker® ist ein kontinuierlicher Vorgang: Je öfter Sie ihn verwenden, desto besser schmeckt das Endprodukt. Das Einfuern dient hauptsächlich dazu, den neuen Geruch aus Ihrem Bradley Smoker® zu entfernen, denn Ihr Essen sollte ja nicht nach Ihrem neuen Smoker schmecken.

Einfuermethode:

- Roste, Auffangschale, Tropfwanne und rechteckiges Becken reinigen und in den Smoker stellen.
- Tropfwanne zur Hälfte mit Wasser füllen.
- Das Füllrohr mit 5 Bisquetten bestücken. (Anm.: Jede Bisquette brennt 20 Minuten.) Die 2 zusätzlichen Bisquetten dienen dazu, die letzte Bisquette auf den Brenner zu schieben. Diese 2 Bisquetten gelangen nicht auf den Brenner.
- Die Regulierklappe oben auf der Räucherammer etwas öffnen.
- Smoker in designierte Steckdose einstecken.
- Raucherzeuger durch Drücken auf Generator-Ein/Aus-Schalter anstellen (11.)
- Auf den Bisquette Vorrückschalter (6) drücken, bis sich die Bisquette auf dem Bisquetten-Brenner(F) befindet.
- Smoker anschalten, d.h. den Temperatur-Dreh-schalter (10) auf Medium stellen (6-Uhr-Position) 20-30 Min. warten. Thermometer (9) sollte 66°C (150°F) anzeigen. Bei höheren Temperaturen zur Temperatursenkung den Temperatur-Dreh-schalter auf 3-Uhr-Position einstellen u. bei Temperaturen unter 66°C (150°F) in die andere Richtung drehen.
- Räuchern Sie ununterbrochen 1 Stunde lang bei 66°C (150°F) oder bis die Bisquetten ausgehen.
- Der Smoker ist eingefeuert, wenn er eine Temperatur von 66°C erreicht hat und eine Stunde lang eingefeuert wurde.

Einführung

- Nach Einfuern des Smokers die Tropfwanne zur Hälfte mit Wasser füllen.
- Den Raucherzeuger mit dem Generator Ein/Aus-Schalter (11) einschalten.
- Wenn die Anzeileuchte (5) des Smoker Generators an ist, hat der Generator Strom.
- Auf den Bisquette Vorrückschalter (6) drücken, um eine Bisquette auf den Bisquetten-Brenner (F) zu schieben Anm.: Nach Drücken des Vorrückschalters beginnt ein neuer Zyklus, (oder) in ca. 20 Minuten rückt die nächste Bisquette vor.
- Smoker auf die erwünschte Temperatur vorheizen.
- Die Lebensmittel auf die Bratroste legen und diese in den Smoker schieben.
- Regulierklappe nach Wunsch öffnen. Regulierklappe während des Betriebs des Smokers nicht vollständig schließen.
- Falls Wärme erforderlich ist, den Wärmeschalter langsam gemäß der Thermometeranzeige auf die erwünschte Temperatur einstellen.

Kalt Räuchern – Dabei wird nur der Raucherzeuger verwendet. Das kurze Startkabel abziehen.

Heiß Räuchern – Raucherzeuger und Temperatur-Dreh-schalter sind angestellt.

Anm.: Das Thermometer zeigt nur die Lufttemperatur in der Räucherammer an. Für eine genauere Temperaturmessung des Räuchergruts ein Stechthermometer verwenden. Denken Sie daran, dass sich die Außentemperatur auf die Kochtemperatur des Smokers auswirkt.

„Nicht vergessen: Smoker nach jeder Verwendung säubern.“

MONTAGEANLEITUNG

4-Rost Digital Smoker (Modell: BTDS76P; BTDS76CE-EU)

6-Rost Digital Smokers (Modell: BTDS108P; BTDS108CE-EU)

Für die Original Smoker Montageanleitung siehe Seite 8

Siehe Bauteilnummern in den Listen der externen und internen Bauteile sowie Schaltverbindungen

Wie man den Bradley Digital Smoker® aufbaut

1. Smoker aus der Verpackung heben.
2. Alle verpackten Teile aus dem Smoker nehmen.
3. Sämtliche Schutzverpackungen entfernen.

Digitalen Raucherzeuger installieren:

• Der Digitale Raucherzeuger (1) wird an der Räucherkammer (2) angebracht, indem man den Bisquetten-Brenner (E) durch die linke Kammeröffnung schiebt. Die Raucherzeuger-Stiftöffnungen auf die beiden Stützen (3) an der Seite ausrichten und andrücken.

• Das Füllrohr (4) an der Oberseite des Raucherzeugers einführen und festdrücken. Mit der gewünschten Anzahl Bradley Aromabisquetten® bestücken.

Schaltverbindungen (Siehe S. 14)

- Das Sensor-Kabel- (1) auf der Rückseite des Raucherzeugers (A) und Smokers (B) einstecken.
- Das kurze Startkabel (2) an (2) der Rückseite des Raucherzeugers (D) und dann an der Rückseite der Kammer (C) einstecken.
- Langes Stromkabel (3) in die Steckdose (E) stecken.

Räucherkammer aufstellen:

- Roste, entweder vier oder sechs (B) auf Seitenstützen schieben.
- Auffangschale (A), mit „V“ nach unten unter die Roste auf die seitlichen Messingstifte (I) stellen. Das rechteckige Becken (D) unten in den Smoker schieben.
- Die Tropfwanne (C) zur Hälfte mit Wasser füllen und zum Auffangen der ausgebrannten Bisquetten in die Mitte des rechteckigen Beckens stellen. Bei längerer Räucherdauer das Wasser in der Tropfwanne auswechseln.
- Das lange Stromkabel (3) des Raucherzeugers in eine zugelassene geerdete Steckdose stecken (4.) (Siehe S. 16.)

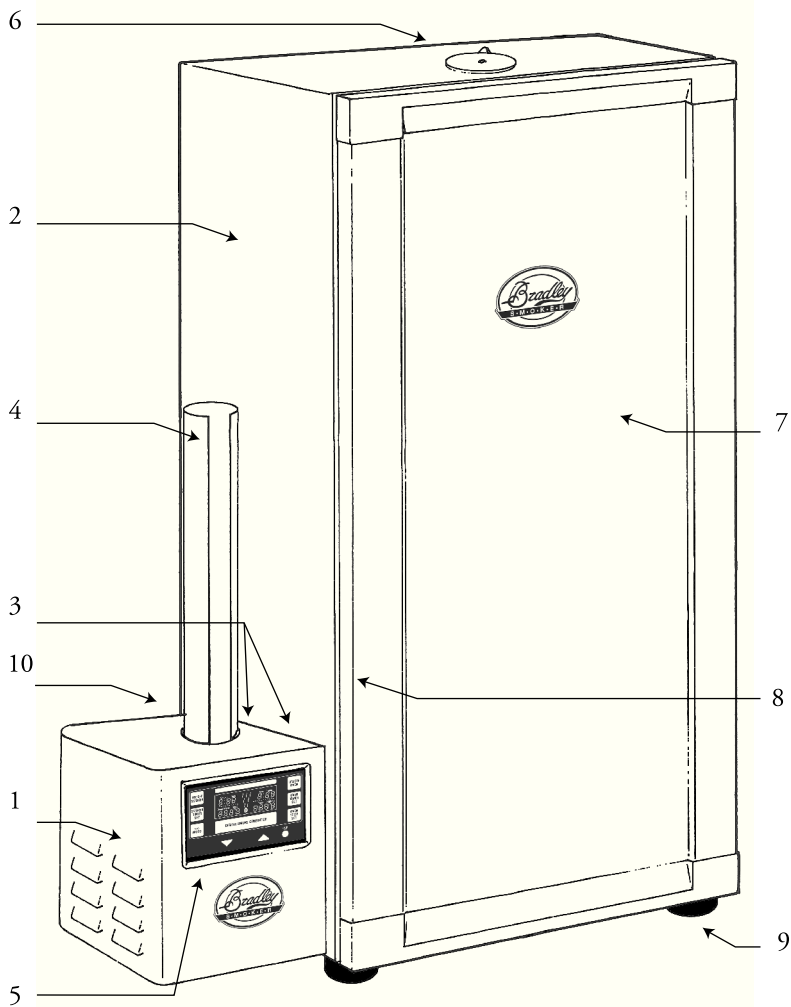
Ausbau des Raucherzeugers (Siehe S. 14)

- Sicherstellen, dass der Raucherzeuger Zeit zum Abkühlen hatte. Langes Stromkabel aus der Wand-Steckdose (4) und dem Raucherzeuger (E) ziehen. Sensor-Kabel (1) und kurzes Startkabel (2) abziehen und dann den Raucherzeuger von der Räucherkammer loslösen, indem man ihn vorsichtig anhebt und nach oben hin herauszieht.

The Bradley Digital Smoker®

BTDS76P and BTDS76CE-EU
BTDS108P and BTDS108CE-EU

Liste der externen Bauteile



Liste der externen Komponenten

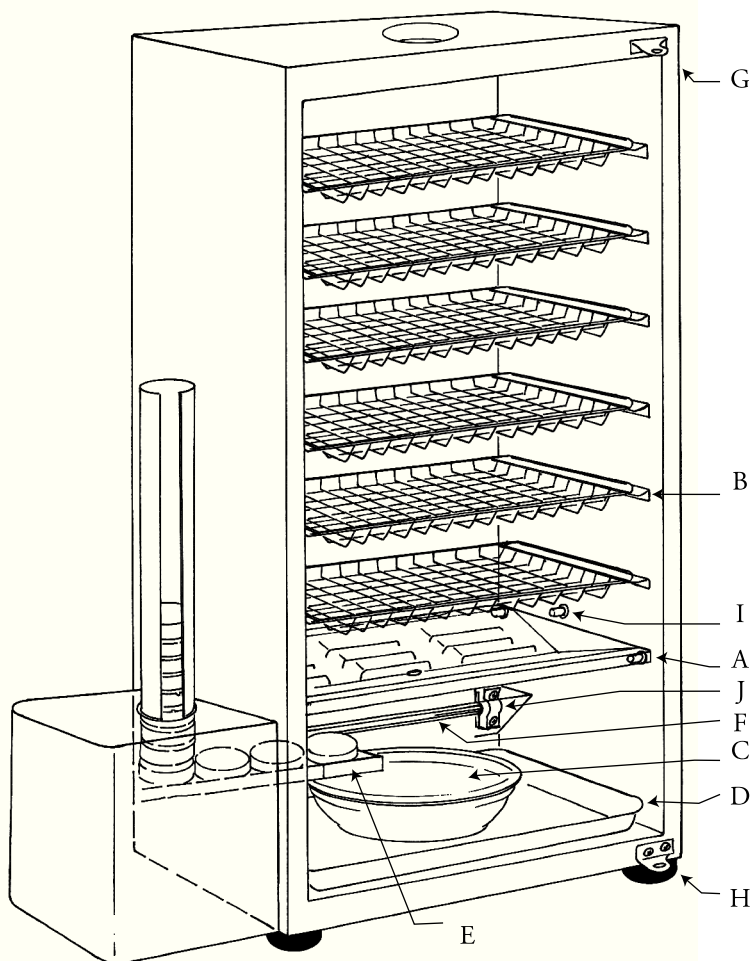
- | | |
|-------------------------------------|---|
| 1. Digitaler Raucherzeuger | 7. Tür |
| 2. Smoker-Räucherkammer | 8. Türdichtung |
| 3. Generatorstützen(nicht abgebil.) | 9. GummifüÙe |
| 4. Füllrohr | 10. Sensor-Kabel, kurzes Startkabel u.
langes Stromkabel (nicht abgebildet,
siehe Seite 12) |
| 5. Digitales Display (siehe S.17) | |
| 6. Regulierklappe | |

The Bradley Digital Smoker®

BTDS76P and BTDS76CE-EU

BTDS108P and BTDS108CE-EU

Liste der internen Bauteile

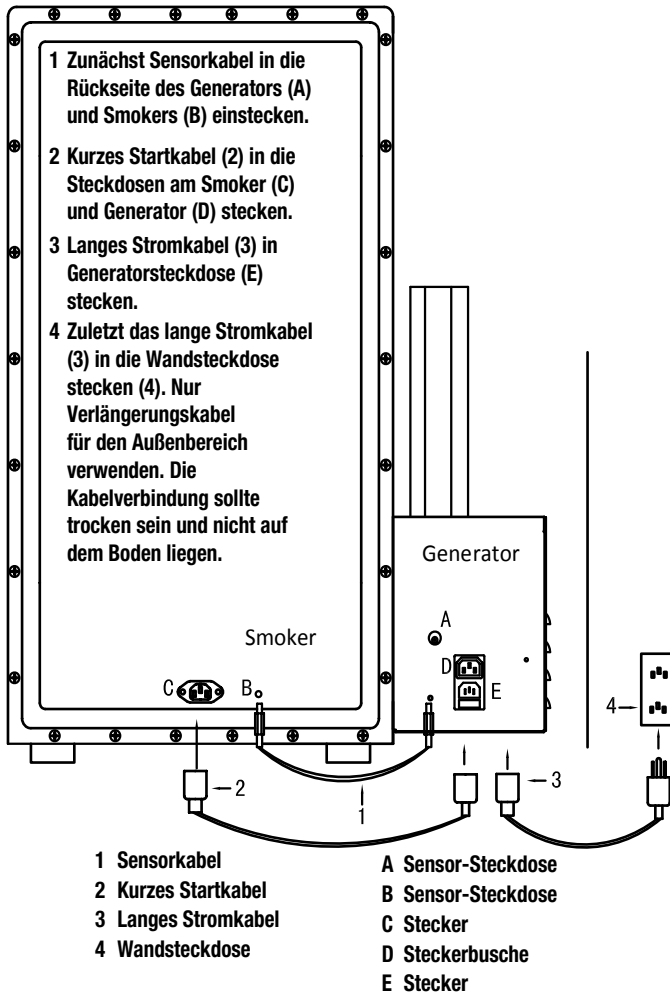


Liste der internen Komponenten

- | | |
|---|-------------------------|
| A) Auffangschale | F) Heizelement |
| B) Koch-Roste (4 oder 6) | G) Oberes Türscharnier |
| C) Tropfwanne | H) Unteres Türscharnier |
| D) Unteres rechteckiges Becken | I) Messingstift |
| E) Bisquetten-Brenner (Bisquetten nicht mitgeliefert) | J) Porzellanisolator |

SCHALTVERBINDUNGEN

Nach Anbringen des Generators auf der Seite des Smokers
(IN DIESER REIHENFOLGE)



ACHTUNG

ZUR SICHERSTELLUNG EINES KONTINUIERLICHEN SCHUTZES
VOR ELEKTRISCHEM STROMSCHLAG NUR MIT EINER
VORSCHRIFTSMÄSSIG INSTALLIERTEN STECKDOSE VERBINDEN

ACHTUNG

VOR REINIGUNGS- ODER WARTUNGSARBEITEN
GERÄT VOM STROMNETZ TRENNEN

NICHT IN WASSER EINTAUCHEN ODER DEM REGEN AUSSETZEN

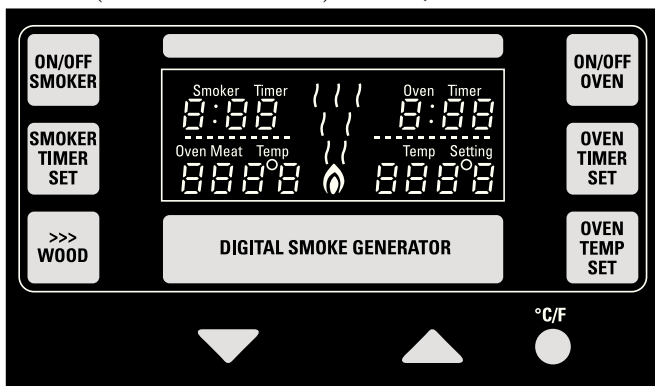
Display-Funktionen

Digitaler Raucherzeuger

- Der Raucherzeuger wird mit den linken Tasten bedient.
- „**On/Off Smoker**“ (Smoker Ein/Aus) drücken, um den Raucherzeuger anzustellen.
- „**>>> Wood**“ (>>>Holz) drücken, um die Bisquetten auf den Brenner zu befördern.
- „**Smoker Timer Set**“ (Zeiteinstellung) und dann auf „v ^“ drücken, um die erwünschte Räucherzeit einzustellen.
- „**Smoker Timer Set**“ erneut drücken, um das 20-minütige automatische Vorrücken zu starten.
- „**On/Off Smoker**“ (Smoker Ein/Aus) drücken, um den Raucherzeuger abzustellen.

Räucherofen

- Der Räucherofen wird mit den rechten Tasten bedient.
- „**On/Off Oven**“ (Ofen Ein/Aus) drücken, um den Räucherofen einzuschalten.
- „**Oven Temp Set**“ (Temperatureinstellung) drücken und dann mit „v ^“ die gewünschte Temperatur auswählen.
- „**Oven Temp Set**“ erneut drücken, um die Temperatur einzustellen.
- „**Oven Timer Set**“ (Zeiteinstellung Ofen) drücken und dann mit „v ^“ die gewünschte Räucherzeit auswählen.
- „**Oven Timer Set**“ erneut drücken, um die Räucherzeit einzustellen.
- „**On/Off Oven**“ (Räucherofen Ein/Aus) drücken, um den Smoker auszustellen.



Display-Funktion

Wenn das „**On/Off Smoker**“- Schaltfeld zum Anschalten des Raucherzeugers gedrückt wurde, blinkt die „**Smoker Timer**“- Anzeige, bis die gewünschte Zeitdauer eingestellt wird. „**Oven Meat Temp**“ beginnt sofort, die interne Temperatur zu messen. Wenn das „**On/Off Oven**“- Schaltfeld zum Anschalten des Räucherofens gedrückt wurde, blinkt die „**Oven Timer**“- Anzeige, bis die gewünschte Räucher- bzw. Schmorzeit eingestellt wird. Die „**Temp Setting**“- Anzeige blinkt auch, bis die gewünschte Temperatur eingestellt wird. Drücken Sie auf die C/F Taste, um die Einstellung von Fahrenheit auf Celsius zu ändern.

Bedienungshinweise

Für den BTDS76P, BTDS76CEEU, BTDS108P und BTDS108CEEU- Bradley Digital Smoker

*Siehe Bauteilnummern in den Listen der externen und internen
Bauteile sowie Schaltverbindungen*

Einfuern und Vorbereitung für den Betrieb

- Das Einfuern des Bradley Digital Smoker ist ein kontinuierlicher Vorgang: Je öfter Sie ihn verwenden, desto besser schmeckt das Endprodukt.
- Einfuern dient hauptsächlich dazu, die neuen Gerüche und Aromen aus Ihrem Smoker zu entfernen, denn Ihr Essen sollte ja nicht nach Ihrem neuen Bradley Digital Smoker schmecken.

Einfueuerungsmethode

- Roste, Auffangschale, Tropfwanne und rechteckiges Becken säubern, zurück in den Smoker stellen
- Tropfwanne zur Hälfte mit Wasser füllen.
- Füllrohr mit 5 Bisquetten bestücken. Anm.: Jede Bisquette brennt 20 Minuten. Die 2 extra Bisquetten sollen die letzte Bisquette auf den Brenner schieben. Diese 2 Bisquetten rücken nicht auf den Brenner vor.
- Die Regulierklappe oben auf der Räucherammer etwas öffnen.
- „**On/Off Smoker**“ (Smoker Ein/Aus) zum Einschalten drücken.
- „>>>**Wood**“ (>>>Holz) drücken.
- „**Smoker Timer Set**“ (Smoker Zeiteinstellung) auf 1 Stunde einstellen.
- „**On/Off Oven**“ zum Einschalten drücken.
- „**Oven Temp Set**“ (Räucherofen Temperatureinstellung) auf 66° C einstellen.
- „**Oven Timer Set**“ (Räucherofen Zeiteinstellung) auf 1 Stunde einstellen.

Anm.: Ihr Smoker ist eingefeuert, wenn 66° C erreicht wurden und er 1 Stunde lang eingefeuert wurde.

Einführung (siehe „**Display-Funktionen**“)

- Nach Einfuern des Smokers die Tropfwanne zur Hälfte mit Wasser nachfüllen.
- Das Füllrohr mit der gewünschten Anzahl Bisquetten bestücken.
- Auf das „**On/Off Smoker**“- Schaltfeld drücken, um den Raucherzeuger einzuschalten.
- Auf „>>>**Wood**“ drücken. Lassen Sie den Bisquetten genug Zeit zum Vorrücken. Dieser Schritt wird zweimal wiederholt, um eine Bisquette auf den Brenner zu befördern.
- „**Smoker Timer Set**“ drücken, um die erwünschte Räucherzeit einzustellen.
- Lebensmittel auf die Roste legen und in den Smoker schieben
- Regulierklappe wunschgemäß öffnen. Regulierklappe nicht vollständig schließen, wenn Smoker läuft.
- „**On/Off Oven**“ drücken, um Räucherofen einzuschalten.
- „**Oven Temp Set**“ drücken, um die Temperatur einzustellen.
- „**Oven Timer Set**“ drücken, um die gewünschte Räucherzeit einzustellen.
- Leeren Sie Ihre Wasserschüssel alle 2 Stunden und befüllen Sie sie neu

• Kalt Räuchern – dabei wird nur der Generator (Raucherzeuger) verwendet. Kurzes Startkabel (2) aus der Steckdose ziehen.

• Heiß Räuchern – dabei werden Raucherzeuger und Kammer zusammen verwendet.

Anm.: Die Digitalanzeige zeigt nur die Lufttemperatur in der Kammer an. Um die Temperatur des Räuchergutes genau zu messen, verwendet man ein Stechthermometer. Denken Sie daran, dass sich die Außentemperatur auf die Kochtemperatur des Smokers und die Kochtemperatur des Smokers auswirkt.

„Nicht vergessen: Smoker nach jeder Verwendung säubern.“

Montageanleitung für den Bradley Smart Smoker® mit iSmoke Technology® Modell BS 916 und BS 916 CE

Beziehen Sie sich auf die Bauteilnummern der externen Bauteilliste auf Seite 18, die interne Bauteilliste auf Seite 19 sowie den Abschnitt über die elektrischen Schaltverbindungen auf Seite 20.

Zusammenbau des Bradley Smart Smoker®

1. Nehmen Sie den Smoker aus dem Karton.
2. Nehmen Sie alle verpackten Teile aus dem Smoker.
3. Entfernen Sie alle Schutzverpackungen.

Installation des Bluetooth® Smoke Generator (Raucherzeuger):

- Raucherzeuger (1) an der Räucherkammer (2) anbringen, indem Sie den Bisquetten-Brenner (E) durch die Öffnung auf der linken Seite der Räucherkammer schieben. Die Raucherzeuger-Öffnungen auf den beiden Kammer-Passstützen (3) ausrichten und für eine sichere Positionierung fest nach unten drücken.
- Das Füllrohr (4) an der Oberseite des Raucherzeugers einführen. Fest nach unten drücken. Mit der gewünschten Anzahl Bradley Aromabisquetten® bestücken.

Elektrische Schaltverbindungen

- Das Sensorkabel (1) auf der Rückseite des Raucherzeugers einstecken • Stecker (A) und Räucherkammer-Sondenstecker (B).
- Kurzes Stromkabel (2) auf der rückwärtigen Seite des Raucherzeugers in die dreipolige Chassisbuchse (D) und anschließend in den Einbaustecker (C) auf der Rückseite der Räucherkammer einstecken – fest hineindrücken.

- Stecken Sie das lange Stromkabel (3) in die Netzanschlussbuchse (E).

Räucherkammer aufstellen:

- Roste (B) auf Seitenstützen schieben.
- Platzieren Sie die Bisquetten-Abdeckung (A) über den Bisquetten-Brenner (E). Die Löcher der Abdeckung auf den drei seitlichen Stützstiften ausrichten und für eine sichere Positionierung die Abdeckung fest nach unten drücken.
- Das rechteckige Becken (D) unten in die Räucherkammer schieben.
- Die Auffangschale (C) 3/4 mit Wasser füllen und zum Auffangen der ausgebrannten Bisquetten in die Mitte des rechteckigen Beckens (D) stellen. Leeren Sie Ihre Wasserschüssel alle 2 Stunden und befüllen Sie sie neu
- Das lange Stromkabel (3) des Raucherzeugers in eine zugelassene geerdete Netzsteckdose stecken.

Entfernen des Raucherzeugers

Stellen Sie sicher, dass der Raucherzeuger ausreichend Zeit zum Abkühlen hatte. Ziehen Sie das lange Stromkabel (3) aus der Wandsteckdose (4) und aus dem Raucherzeuger (E). Entfernen Sie zunächst das Sensorkabel (1) sowie das kurze Stromkabel (2) und trennen Sie anschließend den Raucherzeuger von der Räucherkammer, indem Sie ihn vorsichtig an- und dann herausheben.

Warnhinweis: Änderungen oder Modifikationen an diesem Gerät, die nicht ausdrücklich von der zuständigen Stelle genehmigt wurden, können zum Erlöschen der Betriebserlaubnis des Benutzers führen.

HINWEIS: Dieses Gerät wurde getestet und erfüllt die Grenzwerte für ein digitales Gerät der Klasse B gemäß Teil 15 der FCC-Vorschriften. Diese Grenzwerte sollen einen angemessenen Schutz vor schädlichen Störungen in Wohngebieten gewährleisten.

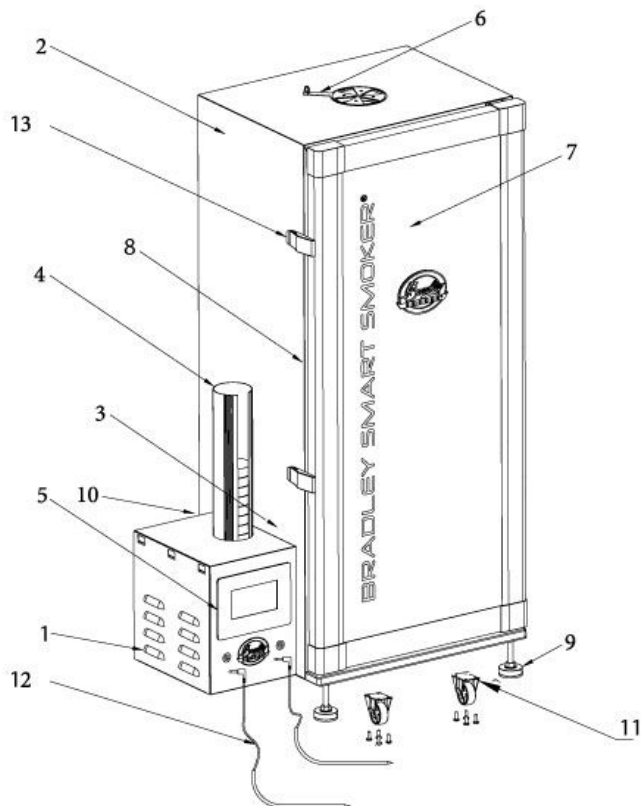
Dieses Gerät erzeugt und verwendet Hochfrequenzenergie und kann diese abstrahlen. Wenn es nicht in Übereinstimmung mit der Anleitung installiert und verwendet wird, kann es den Funkverkehr stören.

Es gibt jedoch keine Garantie, dass bei einer bestimmten Installation keine Störungen auftreten.

Wenn dieses Gerät Störungen des Radio- oder Fernsehempfangs verursacht, was durch Aus- und Einschalten des Geräts festgestellt werden kann, wird der Benutzer aufgefordert, die Störungen durch eine oder mehrere der folgenden Maßnahmen zu beheben:

- Richten Sie die Empfangsantenne neu aus oder positionieren Sie sie neu.
- Erhöhen Sie den Abstand zwischen dem Gerät und dem Empfänger.
- Schließen Sie das Gerät an einen vom Empfänger getrennten Stromkreis an.
- Bitten Sie den Händler oder einen erfahrenen Radio-/Fernsehtechniker um Hilfe.

Der Bradley Smart Smoker® mit iSmoke Technology®
 BS 916 und BS 916 CE
 Liste der externen Komponenten

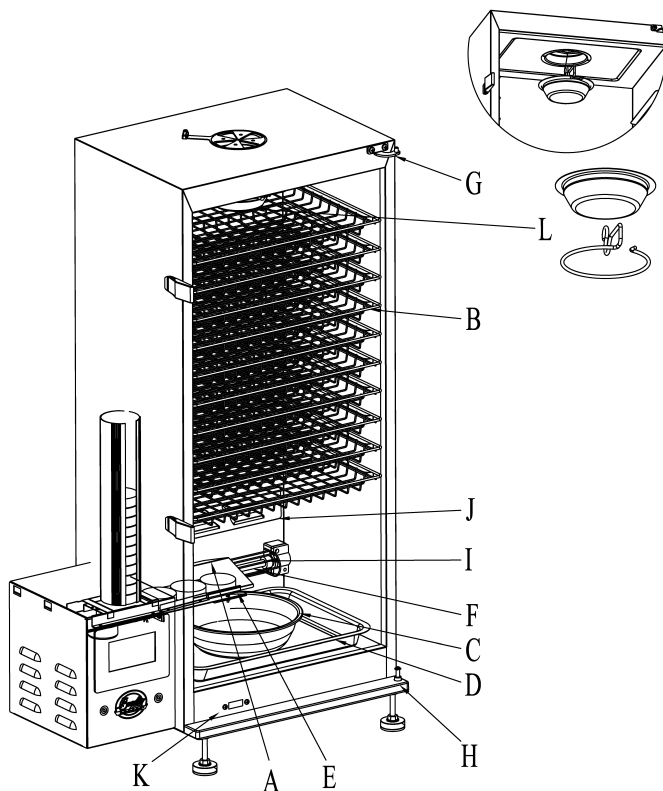


Liste der externen Bauteile

- | | |
|---|---|
| 1. Bluetooth® Raucherzeuger | 8. Türdichtung (nicht abgebildet) |
| 2. Räucherkammer | 9. Verstellbare Stellfüße |
| 3. Stützen für den Raucherzeuger (nicht abgebildet) | 10. Sensorkabel und 2 Stromkabel (nicht abgebildet) |
| 4. Füllrohr | 11. Räder (optional) |
| 5. Digitales Bluetooth® Display | 12. Messsonden |
| 6. Luftklappe | 13. Türriegel |
| 7. Tür | |

Der Bradley Smart Smoker® mit iSmoke Technology® BS916 und BS916CE

Liste der internen Komponenten

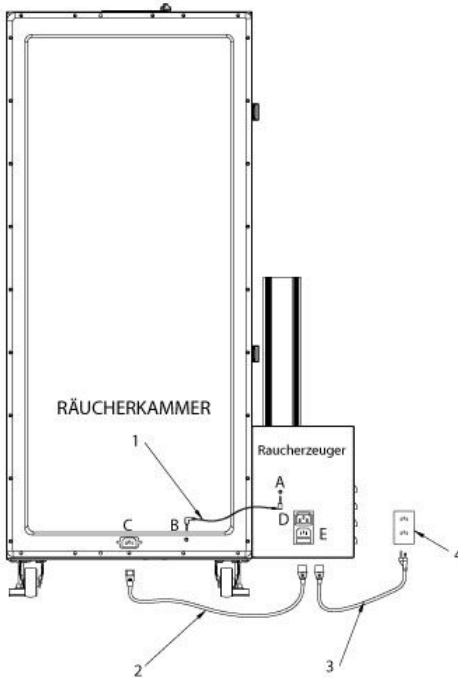


Liste der internen Bauteile

- | | |
|--|--------------------------------|
| A) Bisquetten-Abdeckung | G) Oberes Türscharnier |
| B) Bratroste (6 Roste inklusive) | H) Unteres Türscharnier |
| C) Auffangschale | I) Porzellan-Isolator |
| D) Unteres rechteckiges Becken | J) Hezelement-Abdeckung |
| E) Bisquetten-Brenner (Bisquetten nicht inklusive) | K) Sicherheitstürschalter |
| F) Hezelement | L) Kondensatschüssel und Haken |

ELEKTRISCHE SCHALTVERBINDUNGEN

(Nach Anbringen des Raucherzeugers auf der Seite der Räucherkammer)
IN DIESER REIHENFOLGE



1. Stecken Sie zuerst das Sensorkabel (1) in den entsprechenden Anschluss auf der Rückseite des Raucherzeugers (A) und der Räucherkammer (B).

2. Kurzes Startkabel (2) in die Anschlüsse der Räucherkammer (C) und des Raucherzeugers (D) stecken.

3. Langes Stromkabel (3) in die Netzanschlussbuchse des Raucherzeugers stecken (E).

4. Zuletzt das lange Stromkabel (3) in die Wandsteckdose (4) stecken. (Verlängerungskabel sollten für die Nutzung im Freien geeignet sein. Die Verbindung zum Verlängerungskabel sollte trocken sein und nicht auf dem Boden aufliegen).

VORSICHT

ZUR SICHERSTELLUNG DES SCHUTZES GEGEN STROMSCHLÄGE NUR AN
ORDNUNGSGEMÄSS GEERDETE STECKDOSEN ANSCHLIESSEN

VORSICHT

VOR REINIGUNG ODER WARTUNG VON DER STROMVERSORUNG
ABNEHMEN

NICHT IN WASSER EINTAUCHEN / NICHT REGEN AUSSETZEN

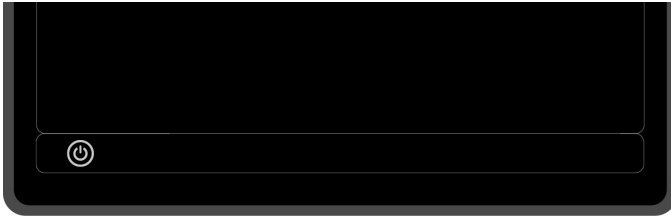
Optimale Nutzung Ihres Bradley Smokers

1. Bradley Smokers wurden für einen langsamen Garprozess bei niedrigen Temperaturen konzipiert. Nehmen Sie sich daher Zeit und planen Sie voraus. Durch die Nutzung dieser Garmethode erhalten Sie Gerichte mit einem besseren Geschmack und Aroma.
2. Überfüllen Sie die Grillroste nicht - lassen Sie ausreichend Platz, um einen kontinuierlichen Luftstrom zu ermöglichen. Sollte dies nicht gegeben sein, kann sich der Rauch nicht entfalten und durch die gesamte Räucherkammer zirkulieren.
3. Für einen gleichmäßigen Gar- oder Räucherprozess wird empfohlen, die Grillroste von oben nach unten und von hinten nach vorne zu rotieren.
4. Räucherzeiten und -temperaturen variieren je nach den folgenden Bedingungen:
 - a) Umgebungstemperatur
 - b) Menge der Lebensmittel in der Räucherkammer
 - c) Jeweilige Kerntemperatur der Lebensmittel
 - d) Angezeigte Temperaturen dienen nur als Hinweis.
5. Schließen Sie die Luftklappe der Räucherkammer NIEMALS vollständig.
6. Leeren Sie Ihre Wasserschüssel alle 2 Stunden und befüllen Sie sie neu.
7. Platzieren Sie die Platte oder Auffangschale beim Kochen oder Räuchern von Speisen, die einen hohen Fettanteil enthalten, direkt unter der Speise, um dadurch so viel wie möglich des abtropfenden Fetts aufzufangen. Diese Vorgehensweise trägt zur Sauberkeit und Langlebigkeit Ihres Bradley Smokers bei und schränkt darüber hinaus die Brandgefahr ein.
8. Halten Sie Ihren Smoker grundsätzlich sauber, um die Langlebigkeit des Geräts zu erhöhen.

Anmerkung: Messsondekabel sind nicht spülmaschineneignet. Tauchen Sie die Kabel nicht in Wasser oder andere Flüssigkeiten ein, da sie dadurch dauerhaft beschädigt werden.

Display-Funktionen

Nach Anschluss aller Kabel schaltet sich der Touchscreen ein und eine Schaltfläche mit der Aufschrift "On/Off" erscheint in der unteren linken Ecke.



Drücken Sie auf die beleuchtete "On/Off"-Schaltfläche, um den Generator-Bildschirm aufzurufen. Der Generator-Bildschirm führt Sie durch die animierten Startbildschirme.



Wählen Sie Ihre Betriebssprache aus (die Sprachauswahl wird Ihnen nur bei der ersten Inbetriebnahme des Smokers angezeigt). Sie können aus 15 verschiedenen Sprachen auswählen.

Anmerkung: Sollten Sie versehentlich die falsche Sprache ausgewählt haben, drücken Sie bitte auf das Statistiksymbold, um erneut zur Sprachauswahl zu gelangen.



Display-Funktion des Hauptbildschirms



Das Touchscreen-Display ist in drei Abschnitte aufgeteilt:

Auf der linken Seite befinden sich Zeitschaltuhren, auf der rechten Seite die Temperaturregler. Am unteren Bildschirmrand befinden sich weitere Bedienelemente. Das Drücken des Bradley-Logos bringt Sie jederzeit zum Hauptbildschirm zurück.

Smoke Timer (Räucherofen-Zeit)

Berühren oder drücken Sie auf die Zeitangabe unter Räucherofen Zeit, um die gewünschte Räucherdauer einzustellen. Beispiel: Für eine Garzeit von 3 Std. und 30 Min. drücken Sie 0-3-3-0. Nach 2 Sekunden startet die Zeitschaltuhr und der Hauptbildschirm wird wieder eingeblendet. Die längstmögliche Räucherzeit beträgt 9 Stunden und 40 Minuten.

Weiterschieben der Bisquetten

Berühren oder drücken Sie das Bisquetten-Symbol und wählen Sie 1 oder 2 aus, um jeweils eine oder zwei Bisquetten auf den Brenner zu schieben. Nachdem die Bisquette vorgeschoben wurde, wird der Hauptbildschirm wieder eingeblendet.

Oven Timer (Ofen-Zeit)

Berühren oder drücken Sie auf die Zeitangabe unter Ofen-Zeit, um die gewünschte Gardauer einzustellen. Beispiel: Für eine Garzeit von 3 Std. und 30 Min. drücken Sie 0-3-3-0. Nach 2 Sekunden startet die Zeitschaltuhr und der Hauptbildschirm wird wieder eingeblendet. Die längstmögliche Garzeit beträgt 9 Stunden und 40 Minuten.

Setting Oven Temperature (Einstellung der Ofentemperatur)

Berühren oder drücken Sie auf die Zeitangabe unter Kerntemperatur, um die gewünschte Gartemperatur einzustellen. Beispiel: Für eine Gartemperatur von 249 °C drücken Sie 2-4-9. Nach 2 Sekunden wird der Hauptbildschirm wieder eingeblendet. Die angegebene Temperatur gibt die aktuelle Temperatur innerhalb des Ofens an.

Die höchstmögliche Temperatureinstellung beträgt 160 °C/320 °F.

Überschreiten Sie die Temperatur von 140 °C (280 °F) nicht.

Die Temperaturangaben können von Celsius auf Fahrenheit und vice versa geändert werden, indem Sie C beziehungsweise F drücken.

Setting the Temperature Ratings for Meat Probes (Einstellung der Temperatureinstufungen der Messsonden)

Der Bradley Smart Smoker BS916 wird mit zwei farbcodierten Temperatursonden geliefert. Stecken Sie die gewünschte(n) farbcodierten Sonde(n) in den/die farblich entsprechend gekennzeichneten Anschluss/Anschlüsse unterhalb des Bildschirms auf den Raucherzeuger.


Drücken Sie auf die Zahlen der Temperatursonde und der Bildschirm zur Einstellung der Fleischtemperatur öffnet sich.


Wählen Sie die gewünschte Einstellung zwischen den zwei Optionen Temperatur (By Temp) oder Voreinstellung (By Pre-set) aus.

Die Einstellung "Temperatur" (By Temp) ermöglicht Ihnen die manuelle Einstellung der gewünschten Ziel-Kerntemperatur.


Mittels der Einstellung "Voreinstellung" (By Pre-set) können Sie die gewünschte Ziel-Kerntemperatur gemäß einer Auswahl verschiedener Fleischsorten und den für sie empfohlenen Kerntemperaturleveln auszuwählen.

Hilfefunktionen in der Anzeige


Die Kindersicherung deaktiviert alle Touchscreen-Funktionen auf dem Display und das Schloss wird rot angezeigt. Dies hat keinen Einfluss auf die Fernbedienung. 

Die Bildschirmhelligkeit kann durch das Drücken des Helligkeitssymbols angepasst werden. 

Die Temperatur kann durch Drücken des Symbols F beziehungsweise C auf Fahrenheit beziehungsweise Celsius eingestellt werden.

Nachdem eine Bluetooth-Verbindung hergestellt wurde, wird das Bluetooth-Symbol blau angezeigt. 



Zum Ändern der Betriebssystemsprache oder für einen Zugriff auf verschiedene Statistiken drücken Sie bitte das Statistiksymboll. 

Zugang zu der Bedienungsanleitung für die iSmoke Technology erhalten Sie, indem Sie die Bradley iSmoke app von iTunes oder aus dem Google Play Store herunterladen.

Betriebsanweisungen

für den Bradley Smart Smoker® mit iSmoke Technology®

Modell BS 916 und BS 916 CE

Beziehen Sie sich auf die Bauteilnummern der externen Bauteilliste auf Seite 18.

Einfuern & Vorbereitung für den Gebrauch

Der ideale Umgebungstemperaturbereich für Ihren Bradley Smoker liegt zwischen 4° C und 21° C (40° F bis 70° F). Extreme Temperaturen - höher oder niedriger als dieser Betriebsbereich - haben Auswirkungen auf die Leistung des Smokers und die Qualität des Endprodukts.

Einfuermethode:

Das Einfuern des Bradley Smoker® ist ein fortlaufender Prozess. Je öfter Sie ihn einsetzen, desto besser schmeckt das darin zubereitete Essen.

- Roste, Bisquettenabdeckung, Auffangschale und rechteckiges Becken reinigen und in die Räucherammer stellen.
- Auffangschale 3/4 mit Wasser füllen.
- Das Füllrohr mit 5 Bisquetten bestücken. Die 2 zusätzlichen Bisquetten dienen dazu, die letzte Bisquette auf den Brenner zu schieben. Diese 2 letzten Bisquetten werden nicht auf den Brenner geschoben.
- *Hinweis: Jede Bisquette brennt 20 Minuten.*
- Die Luftklappe auf der Oberseite der Räucherammer öffnen.
- Stromkabel der Räucherammer in designierte Steckdose stecken.
- Raucherzeuger durch Drücken des ON/OFF-Schalters auf dem Raucherzeuger einschalten (Seite 22).

- Bisquetten-Brenner 20 Minuten vorheizen.
- Auf den Bisquette-Vorrückschalter drücken.
- Räucherammer einschalten (Seite 23) und die Temperatur auf 66 °C (150 °F), d. h. Medium stellen. Warten Sie 20 bis 30 Minuten.
- Räuchern Sie ununterbrochen 1 Stunde bei 66 °C (150 °F) oder bis die Bisquetten ausgehen.
- Der Smoker ist eingefeuert, wenn er eine Temperatur von 66 °C (150°F) erreicht hat und eine Stunde lang eingefeuert wurde.

Einführung

- Nach Einfuern der Räucherammer die Auffangschale erneut zu 3/4 mit Wasser füllen.
- Raucherzeuger durch Drücken des ON/OFF-Schalters auf dem Raucherzeuger einschalten (Seite 21). Dies heizt den Bisquetten-Brenner vor.
- Auf den Bisquette-Vorrückschalter drücken, bis sich die Bisquette auf dem Bisquetten-Brenner (E) befindet.
Anmerkung: Nach Drücken des Vorrückschalters beginnt ein neuer Zyklus, (oder) in ca. 20 Minuten rückt die nächste Bisquette vor.
- Räucherammer auf die erwünschte Temperatur vorheizen.
- Lebensmittel auf die Bratroste legen und diese in die Räucherammer schieben.
- Luftklappe nach Wunsch öffnen. Luftklappe während des Betriebs der

Räucherammer nicht vollständig schließen, da dies den Raucherzeuger beschädigen kann.

- Eventuell müssen Sie die Ofentemperatur anpassen, um den gewünschten Sollwert zu erreichen.

Anmerkung: Das Thermometer zeigt die Lufttemperatur in der Räucherammer an. Für eine genauere Temperaturmessung des Räucherguts die mitgelieferten Messsonden (12) verwenden. Beachten Sie bitte, dass sich die Außentemperatur auf die Kochtemperatur des Smokers auswirkt.

Vergessen Sie bitte nicht, den Smoker nach jeder Nutzung zu reinigen.

GARANTIE

Wir gewähren eine einjährige eingeschränkte Garantie auf Material- und Verarbeitungsfehler des Bradley Smokers.

Anforderungen und Beschränkungen:

Die Garantie gilt ab dem Kaufdatum. Bewahren Sie Ihre Quittung als Nachweis des Kaufdatums auf. Die Garantie beschränkt sich auf die Reparatur oder den Austausch von Bauteilen gemäß den Vorgaben von Bradley Technologies Inc.

Bradley Technologies Inc. liefert nach eigenem Ermessen Ersatzteile für alle Bauteile, die von Bradley Technologies Inc. für defekt befunden wurden, ist jedoch für den Einbau nicht verantwortlich.

Diese beschränkte Garantie ist nicht übertragbar und erlischt, wenn das Produkt zu gewerblichen Zwecken oder zur Vermietung verwendet wird. Die Garantie deckt ausschließlich Herstellungsfehler ab. Im Rahmen dieser beschränkten Garantie werden keine Kosten erstattet, die aufgrund von Unannehmlichkeiten, Schäden an Lebensmitteln, Personen- oder Sachschäden entstanden sind.

Die Garantie gilt nur im Einkaufsland. Versand- und Bearbeitungsgebühren für sämtliche Bestellungen von Teilen, für die keine Garantie gilt, sind vom ursprünglichen Benutzer/Käufer zu tragen. Die Seriennummer des Smokers ist auf allen Garantieansprüchen anzugeben.

Bradley Technologies übernimmt keine Haftung für:

Mängel, Schäden aufgrund von Unfällen, Missbrauch, Fehlgebrauch, Änderungen, falscher Montage/Installation, Vandalismus. Wetterbedingte Schäden, inklusive aber nicht beschränkt auf Hagel, Orkane, Wirbelstürme, Erdbeben, Wind, Regen oder Schnee.

Normalen Verschleiß, Absplittern oder Zerkratzen der lackierten Oberflächen. Verfärbungen durch Sonneneinstrahlung, Hitze oder Chemikalien. Mangelhafte Wartung, nicht durchgeführte Sicherheitsprüfungen und Pflege inklusive aber nicht beschränkt auf die Entfernung von Fettresten, die zu Fettbränden führen, sowie Schäden aufgrund von Fettbränden.

Zur Sicherstellung Ihrer Zufriedenheit und der Inanspruchnahme des Kundendienstes registrieren Sie Ihren Smoker online auf: www.bradleysmoker.com
Infos zu Garantieleistungen und Kundendienst erhalten Sie unter: 1 866-508-7514 (gebührenfrei)

