

**NEVER LEAVE THE HEATER UNATTENDED WHILE BURNING!**

## OPERATING INSTRUCTIONS AND OWNERS MANUAL



# GAS-FIRED INFRA-RED PORTABLE HEATER

Model #

MH15

**READ INSTRUCTIONS CAREFULLY:** Read and follow all instructions. Place instructions in a safe place for future reference. Do not allow anyone who has not read these instructions to assemble, light, adjust or operate the heater.



CYLINDER NOT INCLUDED

### LANGUAGES INCLUDED:

- ENGLISH
- SPANISH

**WARNING:** If the information in this manual is not followed exactly, a fire or explosion may result causing property damage, personal injury or loss of life.

- Do not store or use gasoline or other flammable vapors and liquids in the vicinity of this or any other appliance.
- An LP cylinder not connected for use shall not be stored in the vicinity of this or any other appliance.
- WHAT TO DO IF YOU SMELL GAS
  - Do not try to light appliance.
  - Extinguish any open flame.
  - Shut off gas to appliance.
- Service must be performed by a qualified service agency.
- DO NOT LEAVE HEATER UNATTENDED OR IN OPERATION WHILE SLEEPING

This is an unvented gas-fired portable heater. It uses air (oxygen) from the area in which it is used. Adequate combustion and ventilation air must be provided. Refer to page 4.

**⚠️WARNING:**

YOUR SAFETY IS IMPORTANT TO YOU AND TO OTHERS, SO PLEASE READ THESE INSTRUCTIONS BEFORE YOU OPERATE THIS HEATER.

**⚠️GENERAL HAZARD WARNING:**

FAILURE TO COMPLY WITH THE PRECAUTIONS AND INSTRUCTIONS PROVIDED WITH THIS HEATER, CAN RESULT IN DEATH, SERIOUS BODILY INJURY AND PROPERTY LOSS OR DAMAGE FROM HAZARDS OF FIRE, EXPLOSION, BURN, ASPHYXIATION, CARBON MONOXIDE POISONING, AND/OR ELECTRICAL SHOCK ONLY PERSONS WHO CAN UNDERSTAND AND FOLLOW INSTRUCTIONS SHOULD USE OR SERVICE THIS HEATER.

IF YOU NEED ASSISTANCE OR HEATER INFORMATION SUCH AS AN INSTRUCTION MANUAL, LABELS, ETC. CONTACT THE MANUFACTURER.

**⚠️ WARNING:** THIS PRODUCT CAN EXPOSE YOU TO CHEMICALS INCLUDING LEAD AND LEAD COMPOUNDS, WHICH ARE KNOWN TO THE STATE OF CALIFORNIA TO CAUSE CANCER AND BIRTH DEFECTS OR OTHER REPRODUCTIVE HARM. FOR MORE INFORMATION GO TO [WWW.P65WARNINGS.CA.GOV](http://WWW.P65WARNINGS.CA.GOV)

**⚠️WARNING:**

NOT FOR HOME OR RECREATIONAL VEHICLE USE

**⚠️WARNING:**

FIRE, BURN, INHALATION AND EXPLOSION HAZARD. KEEP SOLID COMBUSTIBLES, SUCH AS BUILDING MATERIALS, PAPER OR CARDBOARD, A SAFE DISTANCE AWAY FROM THE HEATER AS RECOMMENDED BY THE INSTRUCTIONS NEVER USE THE HEATER IN SPACES WHICH DO OR MAY CONTAIN VOLATILE OR AIRBORNE COMBUSTIBLES, OR PRODUCTS SUCH AS GASOLINE, SOLVENTS, PAINT THINNER, DUST PARTICLES OR UNKNOWN CHEMICALS.

**⚠️ WARNING:** Fuels used in liquefied propane gas appliances, and the products of combustion of such fuel, can expose you to chemicals including benzene, which is known to the state of California to cause cancer and cause birth defects or other reproductive harm, for more information go to [www.P65Warnings.ca.gov](http://www.P65Warnings.ca.gov).

**⚠️WARNING:** CARBON MONOXIDE CAN KILL YOU. USING A PORTABLE GAS CAMPING HEATER INSIDE A TENT, RV, CAMPER, VEHICLE, SHELTER OR OTHER ENCLOSED AREAS CAN PRODUCE DEADLY CARBON MONOXIDE.

**CONTENTS**

Warnings..... 2

Assembly Information..... 2

Odor Fade Warning ..... 3

General Information..... 4

Safe Operation..... 5

Ventilation ..... 5

Minimum Clearance from Combustible Materials ..... 5

Assembly Procedure..... 6

Lighting Instructions ..... 6

Shutdown and Storage Information ..... 6

Parts List..... 7

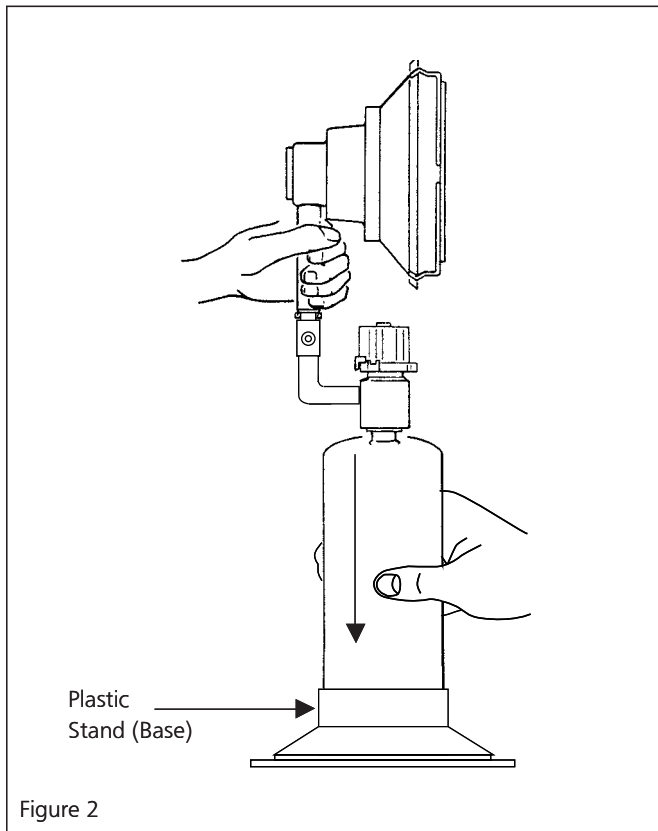
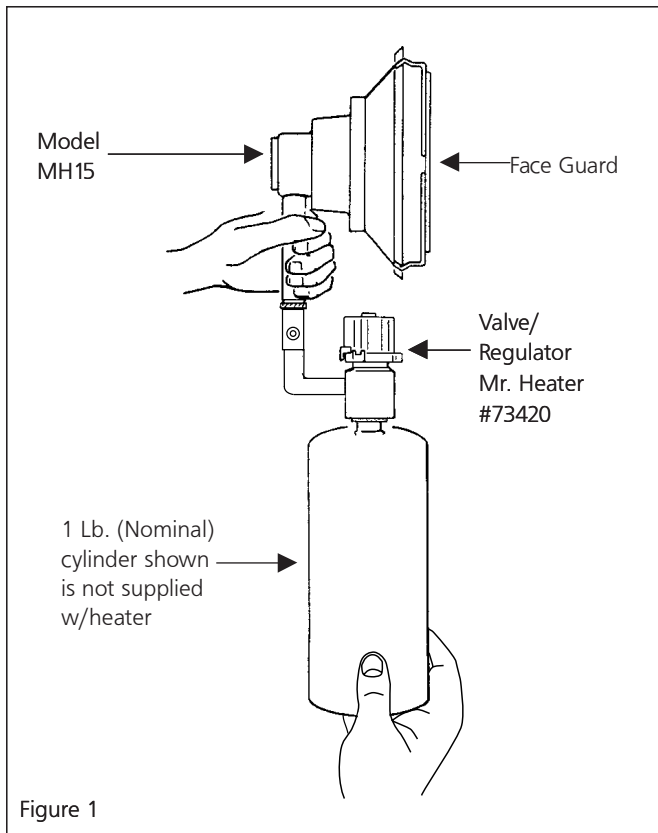
Warranty Information..... 8

Instructions for Ordering Parts..... 8

**ASSEMBLY INFORMATION**

- 1.1 Heater model MH15 is packaged completely assembled except for plastic stand. Propane cylinders are not included with MH15.
- 1.2 Remove heater from carton.
- 1.3 Hold heater in one hand and with other hand hold propane cylinder vertically and carefully turn clockwise into heater valve-regulator until snug. (Careful not to cross-thread) – Fig. 1
- 1.4 Use only LP-gas cylinders constructed for use with propane only (HD-5) and marked in accordance with the specifications for LP-gas cylinders of the U.S. Department of Transportation (DOT Spec. 39).
- 1.5 Use propane fuel cylinders of not more than 75 cubic inches (2-1/2 pounds nominal water capacity) and connect to cylinder valve outlet connection No. 600 as specified in the Compressed Gas Associations Limited Standard Cylinder Valve Outlet Connection for propane-small valve series.
  - 2.1 Grasp heater in one hand and hold cylinder vertically in other hand.
  - 2.2 Firmly push cylinder into plastic stand.– Fig. 2

# NEVER LEAVE THE HEATER UNATTENDED WHILE BURNING!



2.3 Check to assure that bottom of cylinder is in contact with base plastic lugs. – Fig. 2.

2.4 **WARNING**  
Never touch heater while in operation to avoid injury. Move heater by grasping the propane cylinder carefully.

2.5 Read all instructions before lighting heater.

**WARNING**  
STOP-LOOK-READ-UNDERSTAND these warning instructions to avoid serious injury, fire, asphyxiation, death or other life threatening conditions.

**WARNING**  
DO NOT LEAVE HEATER UNATTENDED OR IN OPERATION WHILE SLEEPING

## ODOR FADE WARNING

### WARNING

#### Asphyxiation Hazard

- Do not use this heater for heating human living quarters.
- Do not use in unventilated areas.
- The flow of combustion and ventilation air must not be obstructed.
- Proper ventilation air must be provided to support the combustion air requirements or the heater being used.
- Refer to the specification section of the heater's manual, heater data plate, or contact the factory to determine combustion air ventilation requirements of the heater.
- Lack of proper ventilation air will lead to improper combustion.
- Improper combustion can lead to carbon monoxide poisoning leading to serious injury or death.
- Symptoms of carbon monoxide poisoning can include headache, dizziness and difficulty in breathing.

# NEVER LEAVE THE HEATER UNATTENDED WHILE BURNING!

## FUEL GAS ODOR

**LP gas and natural gas have man-made odorants added specifically for detection of fuel gas leaks.**

**If a gas leak occurs you should be able to smell the fuel gas. Since Propane (LP) is heavier than air you should smell for the gas odor low to the floor. ANY GAS ODOR IS YOUR SIGNAL TO GO INTO IMMEDIATE ACTION!**

- Do not take any action that could ignite the fuel gas. Do not operate any electrical switches. Do not pull any power supply or extension cords. Do not light matches or any other source of flame. Do not use your telephone.
- Get everyone out of the building and away from the area immediately.
- Close all propane (LP) gas tank or cylinder fuel supply valves, or the main fuel supply valve located at the meter if you use natural gas.
- Propane (LP) gas is heavier than air and may settle in low areas. When you have reason to suspect a propane leak, keep out of all low areas.
- Use your neighbor's phone and call your fuel gas supplier and your fire department. Do not re-enter the building or area.
- Stay out of the building and away from the area until declared safe by the firefighters and your fuel gas supplier.
- FINALLY, let the fuel gas service person and the firefighters check for escaped gas. Have them air out the building and area before you return. Properly trained service people must repair any leaks, check for further leakages, and then relight the appliance for you.

## ODOR FADING - NO ODOR DETECTED

- Some people cannot smell well. Some people cannot smell the odor of the man-made chemical added to propane (LP) or natural gas. You must determine if you can smell the odorant in these fuel gases.
- Learn to recognize the odor of propane (LP) gas and natural gas. Local propane (LP) gas dealers will be more than happy to give you a scratch and sniff pamphlet. Use it to become familiar with the fuel gas odor.
- Smoking can decrease your ability to smell. Being around an odor for a period of time can affect your sensitivity to that particular odor. Odors present in animal confinement buildings can mask fuel gas odor.
- **The odorant in propane (LP) gas and natural gas is colorless and the intensity of its odor can fade under some circumstances.**
- If there is an underground leak, the movement of gas through the soil can filter the odorant.
- Propane (LP) gas odor may differ in intensity at different levels. Since Propane (LP) gas is heavier than air, there may be more odor at lower levels.
- **Always be sensitive to the slightest gas odor.** If you continue to detect any gas odor, no matter how small, treat it as a serious leak. Immediately go into action as discussed previously.

## ATTENTION - CRITICAL POINTS TO REMEMBER!

- Propane (LP) gas has a distinctive odor. Learn to recognize these odors. (Reference Fuel Gas Odor and Odor Fading sections to the left and above).
- Even if you are not property trained in the service and repair of the heater, ALWAYS be consciously aware of the odors of

propane (LP) gas and natural gas.

- If you have not been properly trained in repair and service of propane (LP) gas then do not attempt to light heater, perform service or repairs, or make any adjustments to the heater on the propane (LP) gas fuel system.
- A periodic sniff test around the heater or at the heater's joints; i.e. hose, connections, etc., is a good safety practice under any conditions. If you smell even a small amount of gas, CONTACT YOUR FUEL GAS SUPPLIER IMMEDIATELY. DO NOT WAIT!

## GENERAL INFORMATION

- The MH15 is a high pressure propane appliance and is designed to be operated from a 14.1 or 16.4 ounce disposable propane cylinder. (Propane cylinder not included.) Every unit is tested during manufacturing and shipped fully assembled except for the plastic stand.
- These heaters are equipped with automatic Safety Shutoff Valves. The gas flow will automatically stop if the heater fails to operate for any reason.
- Maximum safety and convenience have been built into the Hi-Med-Lo Control Valve/Regulator. The following table lists the approximate BTU's consumed and the operating hours you can reasonably expect from disposable propane cylinders.

Valve Position	BTU Input	Cylinder 14.1 oz.	Cylinder 16.4 oz.
Hi	15,000	1.3 hours	1.5 hours
Med	12,000	1.6 hours	1.8 hours
Lo	10,000	1.9 hours	2.2 hours

Figure 3

**NEVER LEAVE THE HEATER UNATTENDED WHILE BURNING!**

**FOR SAFE OPERATION**

A. **READ INSTRUCTIONS CAREFULLY:** Read and adhere to these instructions. Do not allow anyone who **has not read** the instructions to assemble, light, adjust or operate the heater.

**⚠ WARNING:**  
Keep the heater out of the reach of children.

- B. **PROPANE IS VERY FLAMMABLE:** In the event of a leak, propane will accumulate and the possibility of a fire is present. Propane gas is scented and its strong odor is readily detectable. Never strike a match or bring any flame or create an electric spark in an enclosure when you smell propane gas. Ventilate the area thoroughly, move the heater outside, find and correct the source of the leak before attempting to light any appliance. If you are unsure of these instructions evacuate immediately and call for help.
- C. **GAS LEAKAGE:** If the leak cannot be corrected, do not tamper with the heater. Follow the shut down **instructions** and return the heater to the dealer or address given on the last page.
- D. **LEAK DETECTION:** Before each use of the heater, check all fittings and connections with a soap solution to be sure there are no leaks. **NEVER, NEVER USE ANY FLAME FOR LEAK TEST.**
- E. **CONNECTING HEATER TO PROPANE CYLINDER:** Always connect the heater to the disposable cylinder in the outdoors or in a well ventilated area. **NEVER** connect this heater to a cylinder near an open flame.
- F. **USE OF HEATER:** Always operate the heater with the propane cylinder in an upright position on a level non-combustible surface. **NEVER** place the cylinder on its side when operating the heater.
- G. **ATTEND HEATER:** Do not leave heater unattended while it is in operation.
- H. **ALWAYS USE A MATCH TO LIGHT HEATER: NEVER** attempt to light the heater with a spark lighter
- I. **DO NOT TAMPER:** Should the heater not perform properly, such as little or no heat when operating in the "Hi" position, or for any other reason, **DO NOT ATTEMPT TO REPAIR OR TAMPER** with the heater. Any tampering could make the use of the heater unsafe and dangerous. Return the heater to the dealer or the address given on the last page for repair or replacement.

- J. **FOR STORAGE:** The heater Hi-Med-Lo-Off regulating valve should always be turned to "off" when the heater is not in use. Allow at least 15 minutes for cooling before handling and storing. Detach propane cylinder from heater before storing. **DO NOT** store propane cylinders near open flame or heat.
- K. **DO NOT TRANSPORT OR MOVE APPLIANCE WHILE IN OPERATION OR WHILE HEATER IS ATTACHED. FOLLOW SHUTDOWN AND STORAGE INSTRUCTIONS TO TRANSPORT OR MOVE THIS APPLIANCE.**

**VENTILATION**

- A. **WARNING: This heater is an unvented appliance and MUST be used ONLY in a well ventilated area. NEVER** attempt to operate the heater inside any vehicle, camper or enclosure.
- B. **FOR OUTDOOR USE ONLY.** Any combustion process requires and consumes oxygen, and will produce carbon monoxide..
- C. **WARNING:** Provide ample ventilation. This heater consumes air (oxygen). Do not use this heater in unventilated structures to avoid endangering your life. Provide additional ventilation for any additional fuel-burning appliances and additional occupants.

**MINIMUM CLEARANCE FROM COMBUSTIBLE MATERIALS**

- A. When operating, the heater surfaces are extremely hot. Keep sleeping bags, clothing, and all combustible materials clear of the heater by at least the following distances:
- B. **WARNING:** To avoid injury or property damage never allow clothing, tents, or other combustible material within 30" of the heater. This heater must be located at least 24" above the floor level when in use. Never operate the heater while sleeping.
- C. **WARNING:** Never direct the heat output of this heater toward any propane tank within 20 feet.

BTU/HR. Rating		Normal Operating Procedure	Clearances to Combustibles			
Model No.	Propane Gas		From C.L. of HTR. To Floor	Sides	Rear	Ceiling
MH15	15,000	Vertical	24"	30"	30"	36"

Figure 4

# NEVER LEAVE THE HEATER UNATTENDED WHILE BURNING!

## ASSEMBLY PROCEDURE

- Make sure the regulator knob on the heater is "off" by turning knob clockwise to the "OFF" position.
- Screw disposable cylinder hand tight into the Inlet tapping of the regulator. Make sure gas cylinder is in upward position.
- Firmly place disposable cylinder into plastic stand. (See Fig. 2.)

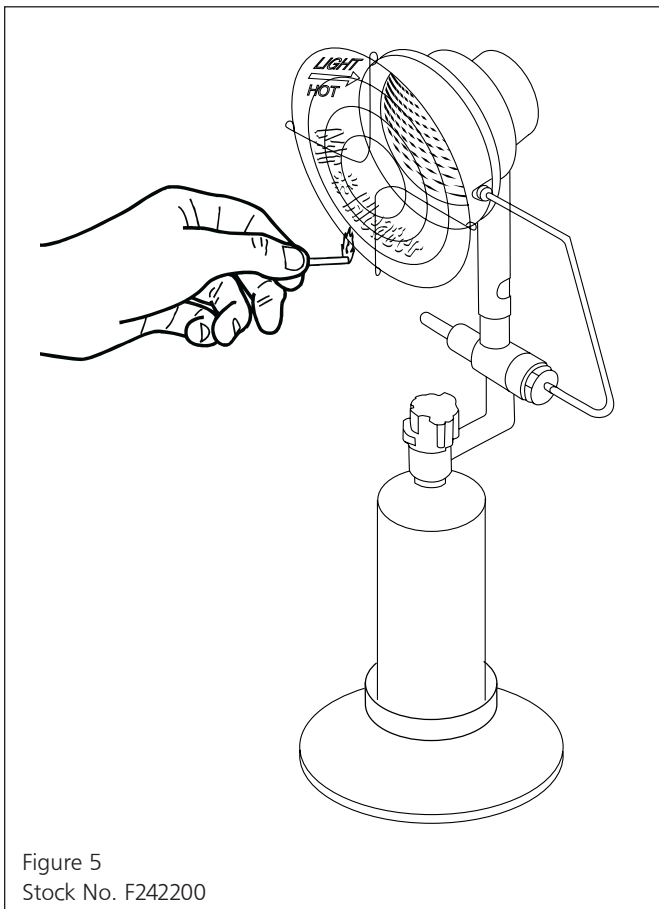
## LIGHTING INSTRUCTIONS

- Before attempting to light the heater, check all fittings and connections with a soap solution. **NEVER USE A MATCH TO CHECK FOR LEAKS.** Should a gas leak occur, do not attempt to repair or use heater. Return the heater to your dealer or the address given on the last page.
- Turn the heater's "Hi-Med-Lo-Off" regulator knob to "Med" (counterclockwise).
- To light heater, place a lit match across the mesh screen where you see "light here" on reflector. (See Fig. 5 and Fig. 6). THEN push in valve button on Safety Shutoff Valve. After the heater is lit, continue to hold valve button in for 30 seconds, then release the button slowly. **CAUTION: DO NOT PUSH IN VALVE BUTTON BEFORE INSERTING LIT MATCH. NEVER use a spark lighter to light heater.**

- If burner does not light within 30 seconds, turn the heater's regulator knob to "off" (clockwise) and allow at least five minutes for gas to dissipate before attempting to relight.
- NOTE:** Should the orifice become clogged as indicated by low volume of gas when operating on "Hi" with a full cylinder, or should the heater fail to operate properly for any reason, return the heater to the dealer or the address given on the last page for repair or replacement. **DO NOT ATTEMPT TO REPAIR OR TAMPER WITH THE HEATER.**
- Adjust heat output by turning knob to desired position.

## SHUTDOWN AND STORAGE INSTRUCTIONS

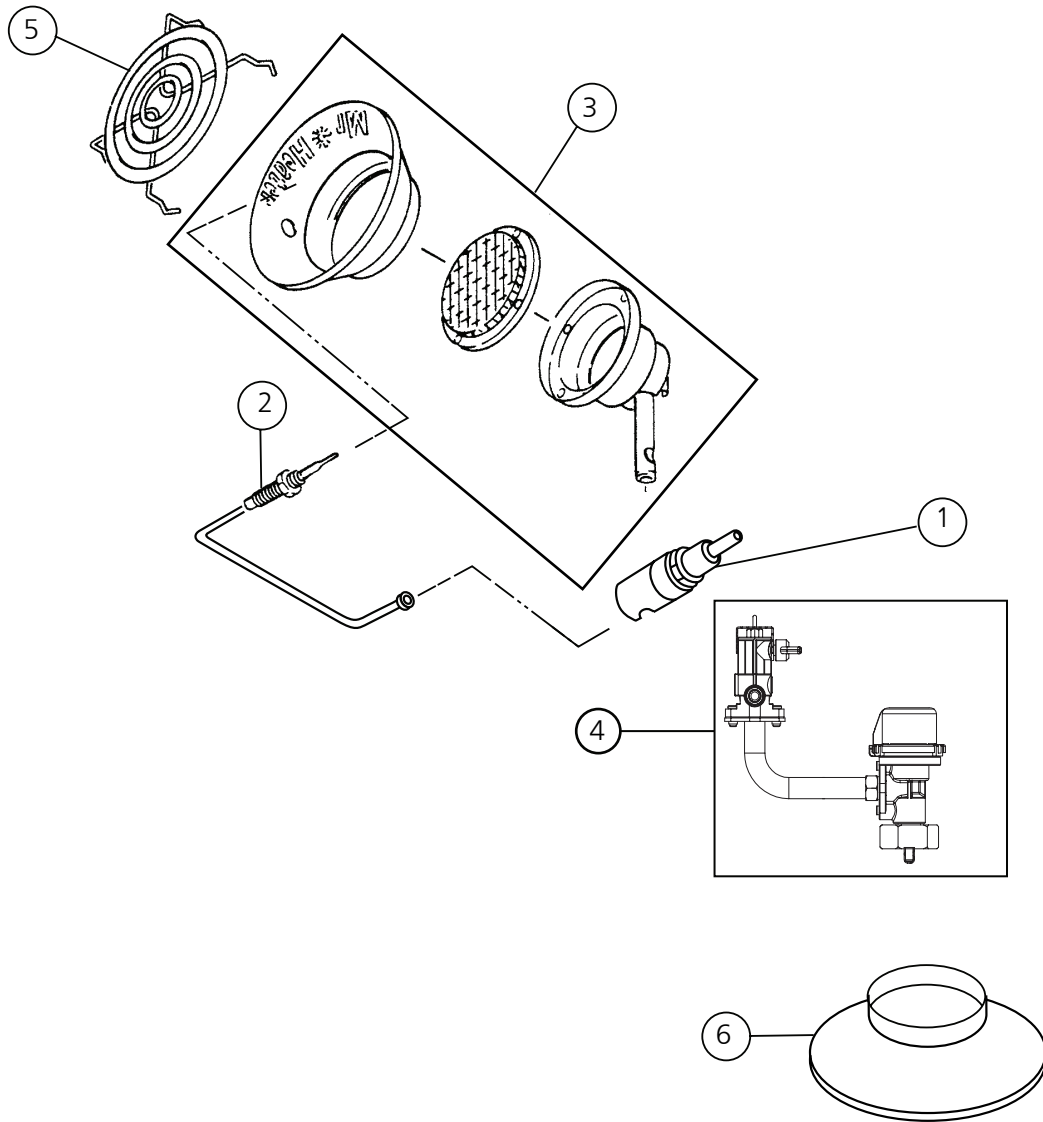
- When shutting off the heater, turn the regulator knob on the heater to "OFF" (clockwise). (See Fig. 5).
- CAUTION:** After turning unit off, heater will remain extremely hot. Allow at least 15 minutes for cooling before handling and storing.
- HEATER STORAGE:** Always remove the propane cylinder from the heater when not in use. Always store propane cylinders in a cool, well ventilated place away from any flame or heat and in a location not used for habitation. **DO NOT STORE PROPANE TANK WITHIN 60 FEET OF OPEN FLAME OR HEAT.**
- See Figure 6 for spare parts list.



**NOTE: WHEN LIGHTING BURNER WITH A MATCH OR TAPER, LIGHT AT SCREEN. (NOT AT ORIFICE)**

**NEVER LEAVE THE HEATER UNATTENDED WHILE BURNING!**

**Mr. Heater • Gas-Fired Infra-Red Portable Heater • Model #MH15**



**Replacement Parts List for Heater Model MH15**

Item No.	Stock No.	Description
1	F237416	Replacement Safety Shutoff w/ Orifice Assembly
2	F237425	12" Thermocouple Lead
3	42110	Complete Assembly (Reflector, Screen, Plenum)
4	42131	Replacement Regulator w/Safety Shutoff and Thermocouple
5	17413	Wire Guard
6	75217	Plastic Stand

Figure 6

ALL WARRANTY CLAIMS REQUIRE PROOF OF PURCHASE



**NEVER LEAVE THE HEATER UNATTENDED WHILE BURNING!**



# OPERATING INSTRUCTIONS AND OWNER'S MANUAL

Model #

MH15



**Gas-Fired Infra-Red  
Portable Heater**

## **WARNING:**

USE ONLY MANUFACTURER'S REPLACEMENT PARTS. USE OF ANY OTHER PARTS COULD CAUSE INJURY OR DEATH. REPLACEMENT PARTS ARE ONLY AVAILABLE DIRECT FROM THE FACTORY AND MUST BE INSTALLED BY A QUALIFIED SERVICE AGENCY.

## **PARTS ORDERING INFORMATION:**

**PURCHASING:** Accessories may be purchased at any Mr. Heater local dealer or direct from the factory

### **FOR INFORMATION REGARDING SERVICE**

Please call Toll-Free 800-251-0001

[www.mrheater.com](http://www.mrheater.com)

Our office hours are 8:00 AM – 5:00 PM, EST, Monday through Friday.

Please include the model number, date of purchase, and description of problem in all communication.

## **LIMITED WARRANTY**

The company warrants this product to be free from imperfections in material or workmanship, under normal and proper use in accordance with instructions of The Company, for a period of one year from the date of delivery to the buyer. The Company, at its option, will repair or replace products (except glass parts, gaskets and/or mantles which are considered consumable parts) returned by the buyer to the factory, transportation prepaid within said one year period and found by the Company to have imperfections in material or workmanship.

If a part is damaged or missing, call our Technical Support Department at 800-251-0001.

Address any Warranty Claims to the Service Department, Mr. Heater, Inc., 4560 W. 160TH ST., CLEVELAND, OHIO 44135. Include your name, address and telephone number and include details concerning the claim. Also, supply us with the purchase date and the name and address of the dealer from whom you purchased our product.

The foregoing is the full extent of the responsibility of the Company. There are no other warranties, express or implied. Specifically there is no warranty of fitness for a particular purpose and there is no warranty of merchantability. In no event shall the Company be liable for delay caused by imperfections, for consequential damages, or for any charges of the expense of any nature incurred without its written consent. The cost of repair or replacement shall be the exclusive remedy for any breach of warranty. There is no warranty against infringement of the like and no implied warranty arising from course of dealing or usage of trade. This warranty will not apply to any product which has been repaired or altered outside of the factory in any respect which in our judgment affects its condition or operation.

Some states do not allow the exclusion or limitation of incidental or consequential damages, so the above limitation or exclusion may not apply to you. This Warranty gives you specific legal rights, and you may have other rights which vary from state to state.

Mr. Heater, Inc. reserves the right to make changes at any time, without notice or obligation, in colors, specifications, accessories, materials and models.

**PRODUCT REGISTRATION:** Thank you for your purchase.

Please log in to <http://www.egiregistration.com> to register your product.

ENERCO GROUP, INC., 4560 W. 160TH ST., CLEVELAND, OHIO 44135 • 800-251-0001

Mr. Heater is a registered trademarks of Enerco Group, Inc.

© 2021, Mr. Heater. All rights reserved



**¡NUNCA DEJE EL CALENTADOR DESATENDIDO MIENTRAS SE QUEMA!**

## INSTRUCCIONES DE USO Y MANUAL DEL PROPIETARIO



# CALENTADOR PORTÁTIL INFRARROJO A GAS

Modelo #

MH15

**LEA CUIDADOSAMENTE LAS INSTRUCCIONES:** Lea y siga todas las instrucciones. Conserve estas instrucciones en un lugar seguro para futura referencia. No permita que nadie que no haya leído estas instrucciones arme, encienda, ajuste o use el calentador.



NO INCLUYE CILINDRO

### IDIOMAS INCLUIDO:

- INGLÉS
- ESPAÑOL

**ADVERTENCIA:** Si no se siguen al pie de la letra las instrucciones de este manual, podría producirse un incendio o una explosión que provocaría daños materiales, lesiones o muertes.

- No almacene ni utilice gasolina ni ningún otro vapor ni líquido inflamable cerca de este ni de ningún otro artefacto.
- Los cilindros LP que no están conectados al calentador no deben almacenarse cerca de este ni de ningún otro artefacto.
- QUÉ HACER SI DETECTA OLOR A GAS
  - No intente encender el artefacto.
  - Apague todas las llamas expuestas.
  - Corte el suministro de gas al artefacto.
- El mantenimiento debe realizarlo una agencia de servicios calificada.
- NO DEJE EL CALENTADOR DESATENDIDO Y NO LO DEJE FUNCIONANDO MIENTRAS DUERME

Este calentador portátil a gas no tiene una fuente propia de ventilación. Utiliza el aire (oxígeno) del área en la cual se emplea. Debe suministrarse el aire necesario para la ventilación y la combustión. Ver página 4.

**⚠️ ADVERTENCIA:**

SU SEGURIDAD ES IMPORTANTE PARA USTED Y PARA LOS DEMÁS, ASÍ QUE POR FAVOR LEA ESTAS INSTRUCCIONES ANTES DE UTILIZAR EL CALENTADOR.

**⚠️ ADVERTENCIA GENERAL DE PELIGRO:**

EL NO CUMPLIR CON LAS PRECAUCIONES E INSTRUCCIONES QUE VIENEN CON ESTE CALENTADOR PUEDE CAUSAR LA MUERTE, LESIONES GRAVES Y PÉRDIDAS Y DAÑOS MATERIALES DERIVADOS DEL PELIGRO DE INCENDIO, EXPLOSIÓN, QUEMADURAS, ASFIXIA, ENVENENAMIENTO CON MONÓXIDO DE CARBONO, Y/O DESCARGAS ELÉCTRICAS. SOLO LAS PERSONAS QUE ENTIENDAN Y PUEDAN SEGUIR LAS INSTRUCCIONES DEBEN USAR O MANTENER ESTE CALENTADOR. SI NECESITA AYUDA O INFORMACIÓN ACERCA DEL CALENTADOR, COMO UN MANUAL DE INSTRUCCIONES, ETIQUETAS, ETC., PÓNGASE EN CONTACTO CON EL FABRICANTE.

**⚠️ ADVERTENCIA:**

**EL MONÓXIDO DE CARBONO PUEDE CAUSARLE LA MUERTE.**

UTILIZAR UN CALENTADOR PORTÁTIL A GAS PARA ACAMPAR DENTRO DE UNA CARPA, CASA RODANTE, CAMPER, VEHÍCULO, REFUGIO O CUALQUIER OTRO LOCAL CERRADO PUEDE PRODUCIR MONÓXIDO DE CARBONO LETAL.

**⚠️ ADVERTENCIA:**

NO APTO PARA USAR EN EL HOGAR NI EN CASAS RODANTES.

**⚠️ ADVERTENCIA:**

PELIGRO DE INCENDIO, QUEMADURAS, INHALACIÓN Y EXPLOSIÓN. MANTENGA LOS COMBUSTIBLES SÓLIDOS, TALES COMO MATERIALES DE CONSTRUCCIÓN, PAPEL O CARTÓN, A UNA DISTANCIA SEGURA DEL CALENTADOR. COMO SE RECOMIENDA EN LAS INSTRUCCIONES, NUNCA USE EL CALENTADOR EN ESPACIOS QUE CONTENGAN O PODRÍAN CONTENER COMBUSTIBLES VOLÁTILES O GASEOSOS, NI PRODUCTOS COMO GASOLINA, SOLVENTES, DILUYENTES DE PINTURA, PARTÍCULAS DE POLVO O PRODUCTOS QUÍMICOS DESCONOCIDOS.

**⚠️ ADVERTENCIA:**

LOS COMBUSTIBLES USADOS EN EQUIPOS PARA LICUAR GAS PROPANO, ASÍ COMO LOS PRODUCTOS DE SU COMBUSTIÓN, PUEDEN EXPONERTE A SUSTANCIAS QUÍMICAS, ENTRE ELLAS EL BENCENO, QUE EL ESTADO DE CALIFORNIA RECONOCE COMO CAUSA DE CÁNCER Y DE MALFORMACIONES CONGÉNITAS Y OTROS DAÑOS AL SISTEMA REPRODUCTOR. PARA MÁS INFORMACIÓN, IR WWW.P65WARNINGS.CA.GOV.

**⚠️ ADVERTENCIA:**

ESTE PRODUCTO PUEDE EXPONERLE A PLOMO Y COMPUESTOS DE PLOMO, QUE ES CONOCIDO (A) POR EL ESTADO DE CALIFORNIA COMO CAUSANTE DE CÁNCER. LÁVESE LAS MANOS DESPUÉS DE MANIPULAR ESTE PRODUCTO. PARA MAYOR INFORMACIÓN, IR WWW.P65WARNINGS.CA.GOV.

**CONTENIDO**

Advertencias ..... 2

Información de armado ..... 2

Advertencia de disipación del olor ..... 3

Información general ..... 4

Seguridad en el uso ..... 5

Ventilación ..... 5

Distancia mínima de materiales combustibles ..... 5

Procedimiento de armado ..... 6

Instrucciones de encendido ..... 6

Información de apagado y almacenamiento ..... 6

Lista de partes ..... 7

Información de garantía ..... 8

Instrucciones para ordenar partes ..... 8

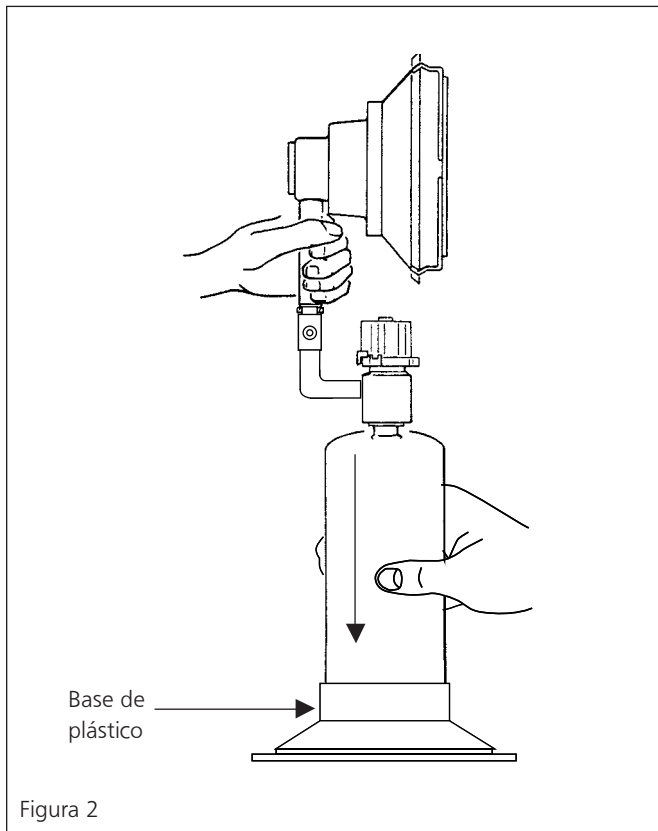
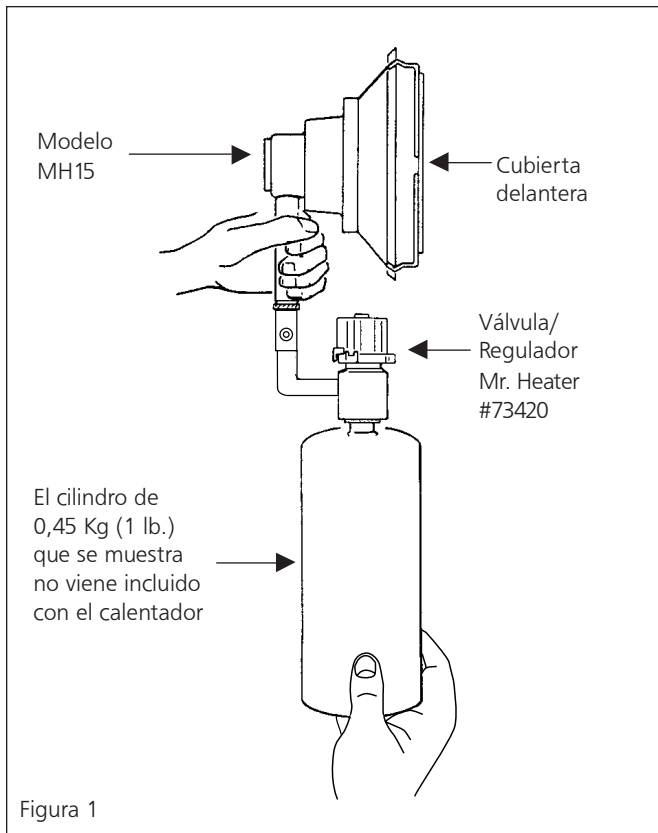
**INFORMACIÓN DE ARMADO**

1.1 El modelo de calentador MH15 se empaqa completamente

armado, exceptuando la base de plástico. Los cilindros de propano no vienen incluidos con el modelo MH15.

- 1.2 Saque el calentador de la caja.
- 1.3 Sostenga el calentador con una mano y con la otra mano sostenga el cilindro de propano verticalmente y conéctelo con el regulador de válvula del calentador haciéndolo girar en sentido horario hasta que quede ajustado. (Verifique que la rosca se acople bien para no dañarla) – Fig. 1.
- 1.4 Use únicamente cilindros de gas LP construidos para uso exclusivo con propano (HD-5) y marcados de acuerdo con las especificaciones para cilindros de gas LP del Departamento de Transporte Estadounidense (DOT SPEC. 39).
- 1.5 Utilice cilindros de combustible de propano de no más de 1,2 litros (75 pulgadas cúbicas) (2-1/2 libras de capacidad nominal de agua) y conéctelos a la toma de la válvula del cilindro No. 600, como se especifica en las Conexiones de Salida de Válvula de Cilindro Estándar Limitadas de las Asociaciones de Gas Comprimido para series de válvulas pequeñas de propano.
  - 2.1 Sostenga el calentador con una mano y sostenga el cilindro verticalmente con la otra.
  - 2.2 Empuje firmemente el cilindro dentro de la base de plástico - Fig. 2.

# ¡NUNCA DEJE EL CALENTADOR DESATENDIDO MIENTRAS SE QUEMA!



2.3 Verifique que la parte de abajo del cilindro esté en contacto con los topes de la base de plástico. – Fig. 2.

- 2.4 **ADVERTENCIA**  
Nunca toque el calentador cuando esté funcionando para evitar heridas. Mueva el calentador sosteniendo cuidadosamente el cilindro de propano.
- 2.5 Lea todas las instrucciones antes de encender el calentador.

**ADVERTENCIA**  
**DETÉNGASE-MIRE-LEA-COMPRENDA** estas advertencias para evitar heridas graves, incendios, asfixia, muerte u otras condiciones que pongan en riesgo su vida.

**ADVERTENCIA**  
**NO DEJE EL CALENTADOR DESATENDIDO Y NO LO DEJE FUNCIONANDO MIENTRAS DUERME**

## ADVERTENCIA DE DISIPACIÓN DEL OLOR

- ADVERTENCIA**
- ⚠ Peligro de asfixia**
- No utilice este calentador para calentar locales habitados por personas.
  - No lo utilice en áreas sin ventilación.
  - No obstruya el flujo de aire necesario para la combustión y la ventilación.
  - Deberá suministrar la ventilación adecuada para garantizar que el calentador disponga del aire que necesita para la combustión.
  - Consulte la sección de especificaciones del manual del calentador, la placa del calentador, o póngase en contacto con el fabricante para conocer los requerimientos de ventilación del calentador.
  - Si la ventilación no es la adecuada, la combustión no se llevará a cabo correctamente.
  - Una combustión inadecuada puede producir envenenamiento con monóxido de carbono con graves daños para la salud, o causar la muerte.
  - Los síntomas de envenenamiento con monóxido de carbono incluyen dolores de cabeza, mareos y dificultad al respirar.

## OLOR A GAS COMBUSTIBLE

Los gases LP y el gas natural contienen sustancias aromáticas artificiales añadidas específicamente para facilitar la detección de fugas de gas.

**Si se produjera una fuga de gas, usted debe poder oler el gas combustible. Dado que el propano (LP) es más pesado que el aire, debe tratar de detectar el olor lo más cerca del piso posible. ¡CUALQUIER OLOR A GAS SERÁ LA SEÑAL PARA TOMAR MEDIDAS INMEDIATAMENTE!**

- No haga nada que pudiera inflamar el gas combustible. No active ningún interruptor eléctrico. No desconecte ninguna toma de corriente ni cables de extensión. No encienda fósforos ni ninguna otra fuente de llamas. No utilice su teléfono.
- Saque a todas las personas del edificio y aléjelos del área inmediatamente.
- Cierre todas las válvulas de suministro de combustible de los tanques o del tanque del gas propano (LP), o la válvula principal de suministro de combustible que se encuentra en el metro contador si emplea gas natural.
- El gas propano (LP) es más pesado que el aire y puede asentarse en áreas bajas. Cuando sospeche que puede haber una fuga de propano, manténgase alejado de las áreas bajas.
- Utilice el teléfono de su vecino y llame a su proveedor de gas y a su departamento de bomberos. No vuelva a entrar al edificio ni se acerque al área.
- Manténgase alejado del edificio y del área hasta que los bomberos y su proveedor de gas hayan declarado que no hay peligro.
- **POR ÚLTIMO**, permita que la persona del servicio de gas y los bomberos revisen si hay fugas de gas. Haga que ventilen el edificio y el área antes de su regreso. Un agente de servicios calificado debe reparar cualquier fuga, revisar si hay otras fugas, y volver a encender el artefacto por usted.

## DISIPACIÓN DEL OLOR - NO SE DETECTA NINGÚN OLOR

- Algunas personas tienen problemas de olfato. Algunos no pueden detectar el olor del químico artificial añadido al propano (LP) o al gas natural. Debe determinar si es capaz de oler la sustancia aromática que contienen estos gases combustibles.
- Aprenda a reconocer el olor del gas propano (LP) y del gas natural. Los distribuidores locales de propano (LP) le darán con gusto un panfleto con muestras de olores. Utilícelo para familiarizarse con el olor del gas combustible.
- El hábito de fumar puede disminuir su sentido del olfato. Exponerse a un olor durante un período de tiempo puede afectar su sensibilidad a ese olor específico. Los olores presentes en instalaciones donde se crían animales pueden enmascarar el olor del gas combustible.
- **La sustancia aromática presente en el gas propano (LP) y en el gas natural es incolora y la intensidad de su olor puede desvanecerse en algunas circunstancias.**
- Si hay una fuga subterránea, el recorrido del gas a través del suelo filtrará esta sustancia aromática.
- El aroma del gas propano (LP) puede variar en intensidad a diferentes niveles. Dado que el gas propano (LP) es más pesado que el aire, el olor puede ser más intenso en los niveles más bajos.
- **Manténgase siempre alerta al más mínimo olor a gas.** Si continúa percibiendo el olor a gas, no importa cuán poco sea, proceda como si fuera una fuga seria. Tome medidas inmediatamente como se explicó anteriormente.

## ATENCIÓN - ¡PUNTOS IMPORTANTES A RECORDAR!

- El gas propano (LP) tiene un olor característico. Aprenda a reconocer estos olores. (Vea las secciones Olor a gas combustible y Disipación del olor de la izquierda y de arriba).
- Aunque usted no esté capacitado para dar mantenimiento y reparar el calentador, SIEMPRE esté al tanto de los olores del gas propano (LP) y del gas natural.
- Si no ha recibido capacitación para reparar y dar mantenimiento a equipos que emplean gas propano (LP), no intente encender el calentador, ni darle mantenimiento o repararlo, ni haga ningún ajuste al calentador en el sistema de combustible de gas propano.
- Una prueba olfativa periódica en las proximidades del calentador o en las conexiones del calentador, por ejemplo, en la manguera, los acoples, etc., es una buena medida de seguridad en todo momento. Si huele la más mínima cantidad de gas, PÓNGASE EN CONTACTO CON SU PROVEEDOR DE GAS INMEDIATAMENTE. ¡NO ESPERE!

## INFORMACIÓN GENERAL

- El MH15 es un artefacto de propano de alta presión diseñado para conectarse a un cilindro desechable de propano de 400 g a 465 g (14,1 a 16,4 onzas). (Cilindro de propano no incluido). Todas las unidades se someten a prueba durante la fabricación y se distribuyen completamente armadas, excepto por la base de plástico.
- Estos calentadores están equipados con llaves de paso de seguridad automáticas. El flujo de gas se detendrá automáticamente si el calentador deja de funcionar por cualquier motivo.
- El Regulador/Válvula de control Hi-Med-Lo-Off (Alto-Medio-Bajo-Apagado) le proporciona máxima seguridad y comodidad. La siguiente tabla indica aproximadamente el consumo en BTU y las horas de funcionamiento que puede esperar de cilindros desechables de propano.

Posición de la válvula	BTU de entrada	Cilindro de 400 g (14.1 oz.)	Cilindro de 465 g (16.4 oz.)
Hi	15.000	1,3 horas	1,5 horas
Med	12.000	1,6 horas	1,8 horas
Lo	10.000	1,9 horas	2,2 horas

Figura 3

**PARA UN FUNCIONAMIENTO SEGURO**

A. **LEA CUIDADOSAMENTE LAS INSTRUCCIONES:** Lea y siga las siguientes instrucciones. No permita que nadie que **no haya leído** las instrucciones arme, encienda, ajuste o use el calentador.

**⚠ ADVERTENCIA:**  
Mantenga el calentador fuera del alcance de los niños.

- B. **EL PROPANO ES MUY INFLAMABLE:** De producirse una fuga, el propano se acumulará y podría desatarse un incendio. El gas propano tiene un olor característico fuerte que puede ser detectado fácilmente. Nunca encienda fósforos ni ningún tipo de llama, ni provoque una chispa eléctrica en un recinto donde haya olor a gas propano. Ventile el área a fondo, saque el calentador al exterior, encuentre y repare la fuente de la fuga antes de encender cualquier electrodoméstico. Si no está seguro de estas instrucciones desaloje el área inmediatamente y pida ayuda.
- C. **FUGAS DE GAS:** Si no puede reparar la fuga, no intente modificar el calentador. Siga las instrucciones para apagarlo y retórnelo al distribuidor o a la dirección que figura en la última página.
- D. **DETECCIÓN DE FUGAS:** Antes de utilizar el calentador, revise siempre todos los conductos y conexiones utilizando agua jabonosa para asegurarse de que no haya fugas. **NUNCA UTILICE NINGÚN TIPO DE LLAMA PARA LA COMPROBACIÓN DE FUGAS.**
- E. **CONEXIÓN DEL CALENTADOR AL CILINDRO DE PROPANO:** Siempre conecte el calentador al cilindro desechable al aire libre, o en un área bien ventilada. **NUNCA** conecte este calentador al cilindro cerca de una llama expuesta.
- F. **USO DEL CALENTADOR:** Utilice siempre el calentador con el cilindro de propano en posición vertical en una superficie nivelada no combustible. **NUNCA** coloque el cilindro acostado al utilizar el calentador.
- G. **SUPERVISIÓN DEL CALENTADOR:** No deje el calentador desatendido mientras está funcionando.
- H. **USE SIEMPRE UN FÓSFORO PARA ENCENDER EL CALENTADOR:** **NUNCA** intente encender el calentador con un encendedor a chispa.
- I. **NO MODIFICAR:** Si el calentador no funciona correctamente, si por ejemplo calienta poco o no calienta en la posición "Hi" (Alto), o por cualquier otra razón, **NO INTENTE REPARARLO NI HACERLE MODIFICACIÓN ALGUNA.** Cualquier modificación podría hacer que el uso del calentador se torne riesgoso o peligroso. Retorne el calentador al distribuidor o a la dirección que aparece en la última página para su reparación o para cambiarlo por otro.

- J. **ALMACENAMIENTO:** La válvula de regulación Hi-Med-Lo-Off (Alto-Medio-Bajo-Apagado) del calentador siempre debe encontrarse en la posición de "Off" cuando no lo esté utilizando. Déjelo enfriar por al menos 15 minutos antes de manipularlo y guardarlo. Desconecte el cilindro de propano del calentador antes de guardarlo. **NO** guarde los cilindros de propano cerca de llamas expuestas o fuentes de calor.
- K. **NO TRANSPORTE NI MUEVA EL ARTEFACTO MIENTRAS ESTÉ FUNCIONADO NI CUANDO ESTÉ CONECTADO EL CALENTADOR. SIGA LAS INSTRUCCIONES DE APAGADO Y ALMACENAMIENTO PARA TRANSPORTAR O MOVER ESTE ARTEFACTO.**

**VENTILACIÓN**

- A. **ADVERTENCIA:** Este calentador es un artefacto sin ventilación y **DEBE** usarse **ÚNICAMENTE** en un área bien ventilada. **NUNCA** intente usar el calentador dentro de un vehículo, camper o lugar cerrado.
- B. **PARA USO AL AIRE LIBRE SOLAMENTE.** Todo proceso de combustión requiere y consume oxígeno, y produce monóxido de carbono.
- C. **ADVERTENCIA:** Proporcione buena ventilación. Este calentador consume aire (oxígeno). No use este calentador en lugares sin ventilación para evitar poner su vida en peligro. Proporcione ventilación adicional por cada artefacto a combustible y ocupantes adicionales.

**DISTANCIA MÍNIMA DE MATERIALES COMBUSTIBLES**

- A. Al usar el calentador, sus superficies se calientan mucho. Mantenga las bolsas de dormir, la ropa y los materiales combustibles lejos del calentador, por lo menos a las distancias indicadas a continuación:
- B. **ADVERTENCIA:** Para evitar heridas o daños materiales, nunca permita que haya ropa, carpas o cualquier otro material combustible a menos de 76 cm. (30") del calentador. Este calentador debe ubicarse por lo menos a 61 cm. (24") por encima del piso cuando se use. Nunca use el calentador mientras duerme.
- C. **ADVERTENCIA:** Nunca apunte la salida del calentador hacia un tanque de propano que esté a menos de 6 m. (20 pies).

BTU/HORA		Posición normal de funcionam.	Distancia a combustibles			
Modelo No.	Gas propano		Desde el centro del calent. al piso	Lados	Atrás	Techo
MH15	15.000	Vertical	60 cm (24")	76 cm (30")	76 cm (30")	91 cm (36")

Figura 4

## PROCEDIMIENTO DE ARMADO

- A. Verifique que la perilla del regulador del calentador esté en apagado, girándola hasta la posición "OFF".
- B. Atornille el cilindro desechable ajustándolo con la mano a la toma de entrada del regulador. Asegúrese de que el cilindro de gas esté en posición vertical.
- C. Coloque firmemente el cilindro desechable dentro de la base de plástico. (Ver Fig. 2).

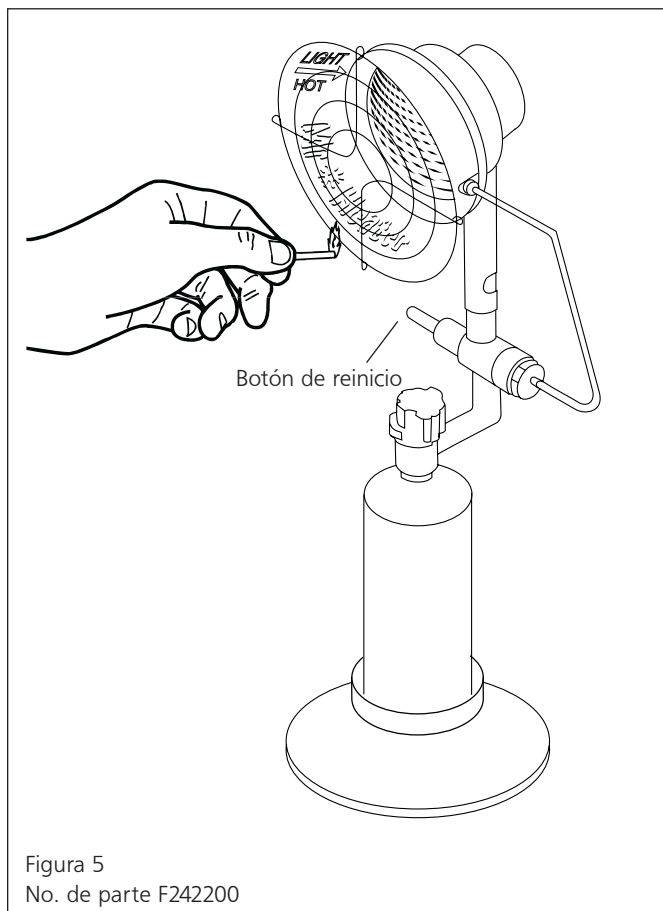
## INSTRUCCIONES DE ENCENDIDO

- A. Antes de encender el calentador, verifique todos los acoples y conexiones con una solución de jabón. **NUNCA USE UN FÓSFORO PARA BUSCAR FUGAS.** Si encuentra una fuga de gas, no intente reparar o usar el calentador. Devuelva el calentador al distribuidor o a la dirección que aparece en la última página.
- B. Ajuste la perilla del regulador "Hi-Med-Lo-Off" a la posición de "Med" (en sentido contra horario).
- C. Para encender el calentador, coloque un fósforo encendido sobre la rejilla protectora donde aparece la indicación "Light here" (Encender aquí) en el reflector. (Ver Fig. 5 y Fig. 6). A **CONTINUACIÓN** presione el botón de la válvula en la llave de paso de seguridad. Una vez encendido el calentador, mantenga presionado el botón de la válvula durante 30 segundos, luego suéltelo lentamente.  
**CUIDADO: NO PRESIONE EL BOTÓN DE LA VÁLVULA ANTES**

- DE INSERTAR EL FÓSFORO ENCENDIDO. **NUNCA** intente encender el calentador con un encendedor a chispa.
- D. Si el quemador no se enciende dentro de los 30 segundos, mueva el botón del regulador del calentador a la posición de "Off" (en sentido horario) y deje disipar el gas durante al menos 5 minutos antes de volver intentar encenderlo.
- E. **NOTA:** Si se atascara el orificio, lo que podría notar si hay un bajo volumen de gas mientras el equipo funciona en "Hi" (Alto) con un cilindro lleno, o si el calentador dejara de funcionar correctamente por cualquier razón, devuelva el calentador al distribuidor o a la dirección que aparece en la última página para reparación o para cambiarlo por uno nuevo. **NO INTENTE REPARAR O MODIFICAR EL CALENTADOR.**
- F. Ajuste el nivel de calor llevando el botón a la posición deseada.

## INSTRUCCIONES DE APAGADO Y ALMACENAMIENTO

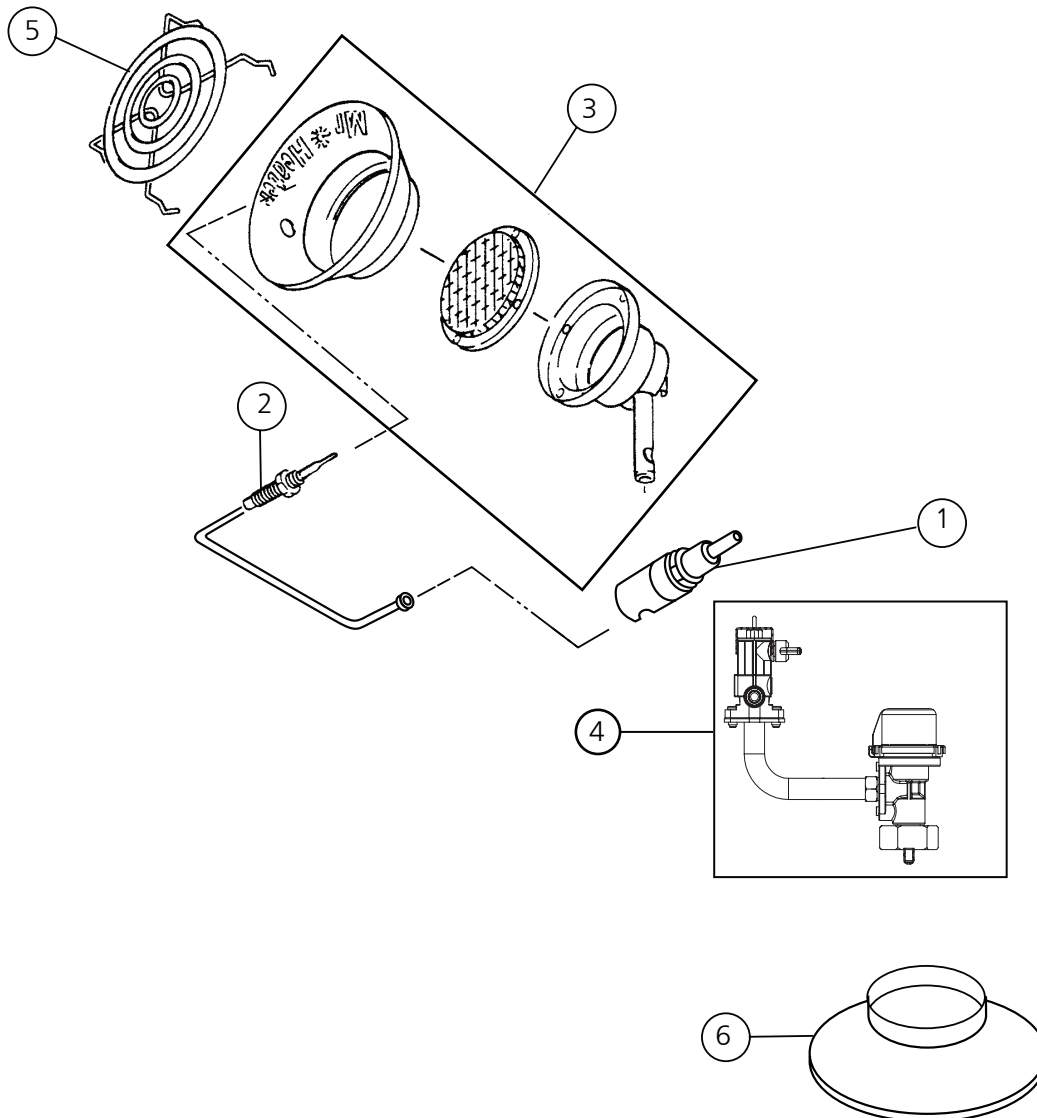
- A. Para apagar el calentador, lleve el botón de regulación del calentador a la posición de "OFF" (en sentido horario). (Ver Fig. 5).
- B. **CUIDADO:** Después de apagar la unidad, el calentador permanecerá extremadamente caliente. Déjelo enfriar por al menos 15 minutos antes de manipularlo y guardarlo.
- C. **ALMACENAMIENTO DEL CALENTADOR:** Siempre retire el cilindro de propano del calentador cuando no lo esté utilizando. Guarde siempre los cilindros de propano en un lugar fresco, bien ventilado, lejos de cualquier llama o fuente de calor y en un local no habitado. **NO GUARDE EL TANQUE DE PROPANO A MENOS DE 18 METROS DE DISTANCIA DE LLAMAS EXPUESTAS O FUENTES DE CALOR.**
- D. Ver Figura 6 por la lista de partes de repuesto.



**NOTA: CUANDO ENCIENDA EL QUEMADOR CON UN FÓSFORO O ENCENDEDOR, DIRIJA LA LLAMA A LA REJILLA. (NO AL ORIFICIO)**



**Mr. Heater • Calentador portátil infrarrojo a gas • Modelo #MH15**



**lista de partes de repuesto para el calentador modelo MH15**

Referencia	No. de Parte	Descripción
1	F237416	Reemplazo de llave de paso de seguridad con orificio
2	F237425	Cable de termocupla de 30 cm (12")
3	42110	Ensamble Completo (Reflector, Reja, Cámara de aire)
4	42131	Regulador reemplazo con llave de paso de seguridad con orificio and Cable de termocupla de 30 cm (12")
5	17413	Cubierta de alambre
6	75217	Plastice Stand

Figura 6

TODOS LOS RECLAMOS DE GARANTÍA REQUERIR PRUEBA DE COMPRA





# INSTRUCCIONES DE USO Y MANUAL DEL USUARIO

Modelo #  
MH15



**Calentador portátil infrarrojo a gas**

## ADVERTENCIA:

USE SOLAMENTE PARTES DE REEMPLAZO DEL FABRICANTE. EL USO DE CUALQUIER OTRA PARTE PODRÍA CAUSAR HERIDAS O LA MUERTE. LAS PARTES DE REEMPLAZO ESTÁN DISPONIBLES ÚNICAMENTE EN LA FÁBRICA Y DEBEN SER INSTALADAS POR UNA AGENCIA DE SERVICIO CALIFICADA.

## INFORMACIÓN PARA ORDENAR PARTES:

**COMPRAS:** Puede comprar accesorios en cualquier distribuidor local de Mr. Heater o directamente de la fábrica.

### POR INFORMACIÓN ACERCA DE REPARACIONES

Llame sin cargo al 800-251-0001

[www.mrheater.com](http://www.mrheater.com)

Nuestro horario de trabajo es de 8:00 AM a 5:00 PM, de lunes a viernes, hora del este.

Por favor, incluya el número de modelo, la fecha de compra y la descripción del problema en todas sus comunicaciones.

## GARANTÍA LIMITADA

La compañía garantiza que este producto estará libre de imperfecciones materiales y de fabricación, bajo condiciones de uso normales y adecuadas de acuerdo con las instrucciones de la Compañía, por un período de un año a partir de la fecha de entrega al comprador. La Compañía, según decida, reparará o reemplazará los productos (excepto las partes de vidrio, juntas y/o los revestimientos, los que se consideran insumos) que el comprador devuelva a la fábrica, con transportación prepagada dentro del mencionado período de un año y que la Compañía determine que presentan imperfecciones materiales o de fabricación.

Si alguna de las partes está dañada o si le falta alguna, llame a nuestro Departamento de Asistencia Técnica al 800-251-0001.

Dirija sus reclamos de garantía a: Service Department, Mr. Heater, Inc., 4560 W. 160TH ST., CLEVELAND, OHIO 44135. Incluya su nombre, dirección y número telefónico en su comunicación e incluya los detalles relacionados con el reclamo. Además, infórmenos la fecha de la compra y el nombre y la dirección del proveedor de quien adquirió nuestro producto.

Lo anterior describe las responsabilidades de la Compañía en toda su extensión. No hay otras garantías, ni explícitas ni implícitas. Específicamente, no hay garantías acerca de la adecuación para un propósito particular y no hay garantías de comerciabilidad. En ningún caso la Compañía será responsable por demoras causadas por imperfecciones, por daños consecuentes, ni por ningún otro cargo de gastos de ninguna naturaleza realizado sin su consentimiento escrito. El costo de reparación o reemplazo será la única compensación por cualquier incumplimiento de la garantía. No hay garantía ni se derivará garantía implícita alguna del proceso de comercialización ni de las prácticas comerciales comunes. Esta garantía no será válida para productos que hayan sido reparados o alterados fuera de la fábrica en cualquier sentido que a nuestro criterio afecte su estado o funcionamiento.

Algunos estados no permiten la exclusión o limitación de daños incidentales ni consecuentes, así que la limitación o exclusión anterior puede no tener validez en su caso. Esta Garantía le otorga derechos legales específicos, y usted puede tener otros derechos que varían de un estado a otro.

Mr. Heater Inc. se reserva el derecho de hacer cambios en cualquier momento, sin previo aviso, en los colores, especificaciones, accesorios, materiales y modelos.

REGISTRO DEL PRODUCTO: Gracias por su compra.  
Inicie sesión en <http://www.egiregistration.com> para registrar su producto.