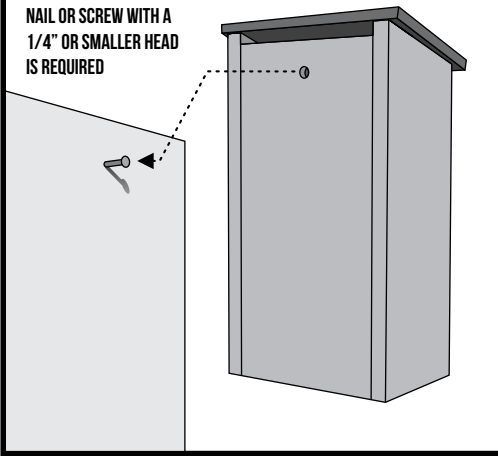


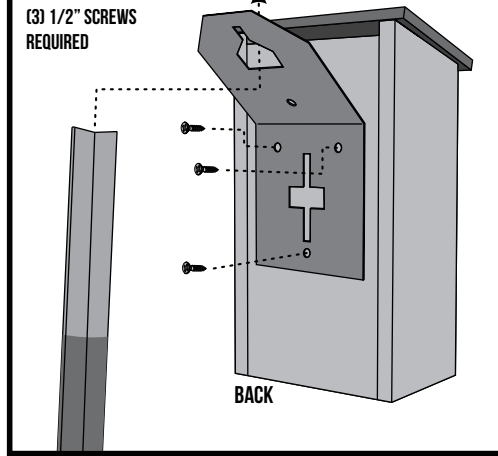
### WALL MOUNTING

NAIL OR SCREW WITH A 1/4" OR SMALLER HEAD IS REQUIRED



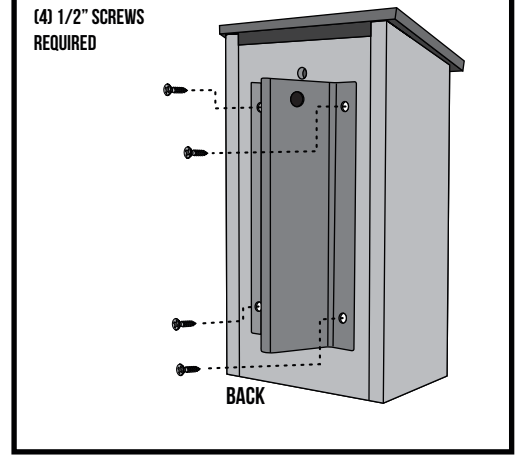
### T-POST ADAPTER

(3) 1/2" SCREWS REQUIRED



### BAT HOUSE ADAPTER

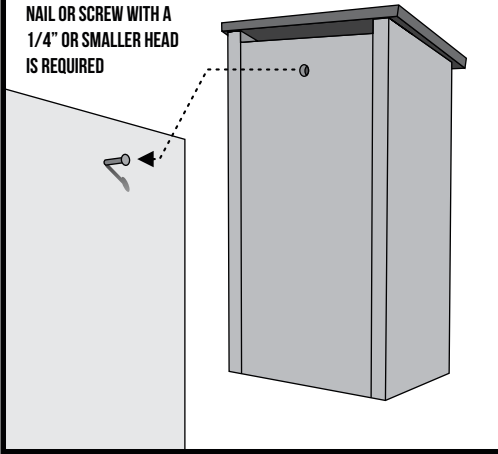
(4) 1/2" SCREWS REQUIRED



\* ADDITIONAL HARDWARE AND POLES ARE NOT INCLUDED.

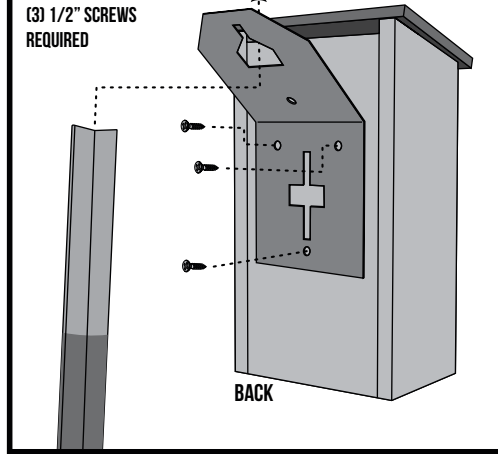
### WALL MOUNTING

NAIL OR SCREW WITH A 1/4" OR SMALLER HEAD IS REQUIRED



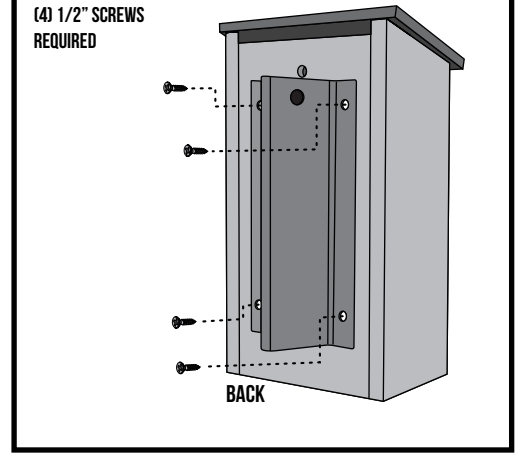
### T-POST ADAPTER

(3) 1/2" SCREWS REQUIRED



### BAT HOUSE ADAPTER

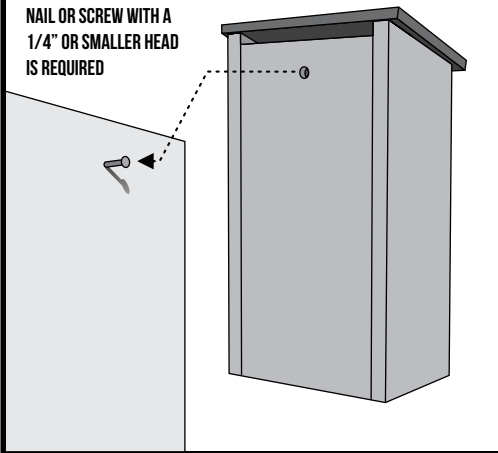
(4) 1/2" SCREWS REQUIRED



\* ADDITIONAL HARDWARE AND POLES ARE NOT INCLUDED.

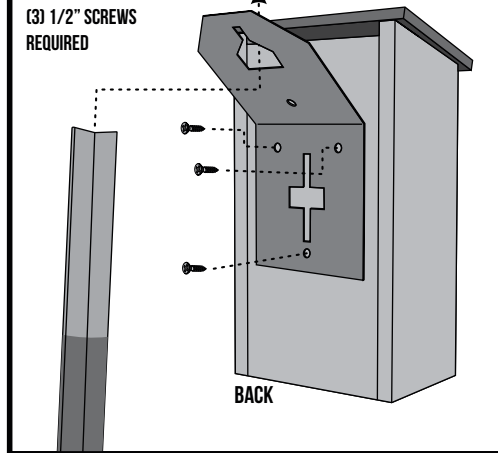
### WALL MOUNTING

NAIL OR SCREW WITH A 1/4" OR SMALLER HEAD IS REQUIRED



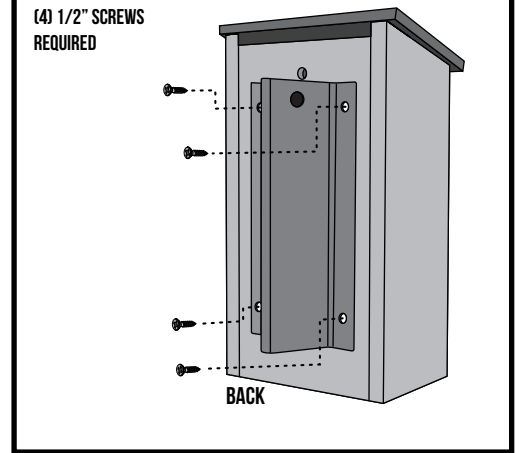
### T-POST ADAPTER

(3) 1/2" SCREWS REQUIRED



### BAT HOUSE ADAPTER

(4) 1/2" SCREWS REQUIRED



\* ADDITIONAL HARDWARE AND POLES ARE NOT INCLUDED.