

Installation Instructions

BDB1385 Drawbar

Capacity

15,000 lbs. Maximum Vertical (tongue) Load
60,000 lbs. Maximum Gross Trailer Weight

NOTE: When used for hinged tongue trailer applications where maximum vertical load cannot exceed 500 lbs., the maximum gross trailer weight is 90,000 lbs.

WARNING

Maintain adequate vertical (tongue) load to properly control the trailer (generally 10% G.T.W.) but do not exceed the above rated capacities.

Description

Drop forged steel drawbar with 4-bolt mounting base. 3" I.D. eye with 1-5/8" dia. section.

Towing Applications

For trailers, full trailers (including doubles) and equipment designed for over-the-road towing within the stated capacities. For off-road applications reduce the above capacities by 25% and use in conjunction with swivel style coupler.

Mounting

1. Use a mounting structure of sufficient strength to support the rated capacity of the drawbar in accordance with SAEJ849 and SAEJ847
2. Bolt pattern described on reverse.
3. Use four 3/4" grade 8 fasteners, properly tightened.

Operation & Maintenance

1. Inspect drawbar regularly for wear and damage. If wear exceeds 1/8", replace drawbar.
2. Check the mounting fasteners for proper torque.



WARNING DURING OPERATION

1. Check to see if drawbar size is compatible with coupling device being used on tow vehicle.
2. Do not damage the coupling components. Take extra care during coupling and uncoupling operations.
3. Before use inspect coupling device on the tow vehicle.
4. Consult O.S.H.A. and D.O.T. regulations and American Trucking Assoc. guidelines for complete operating procedures.

General Information

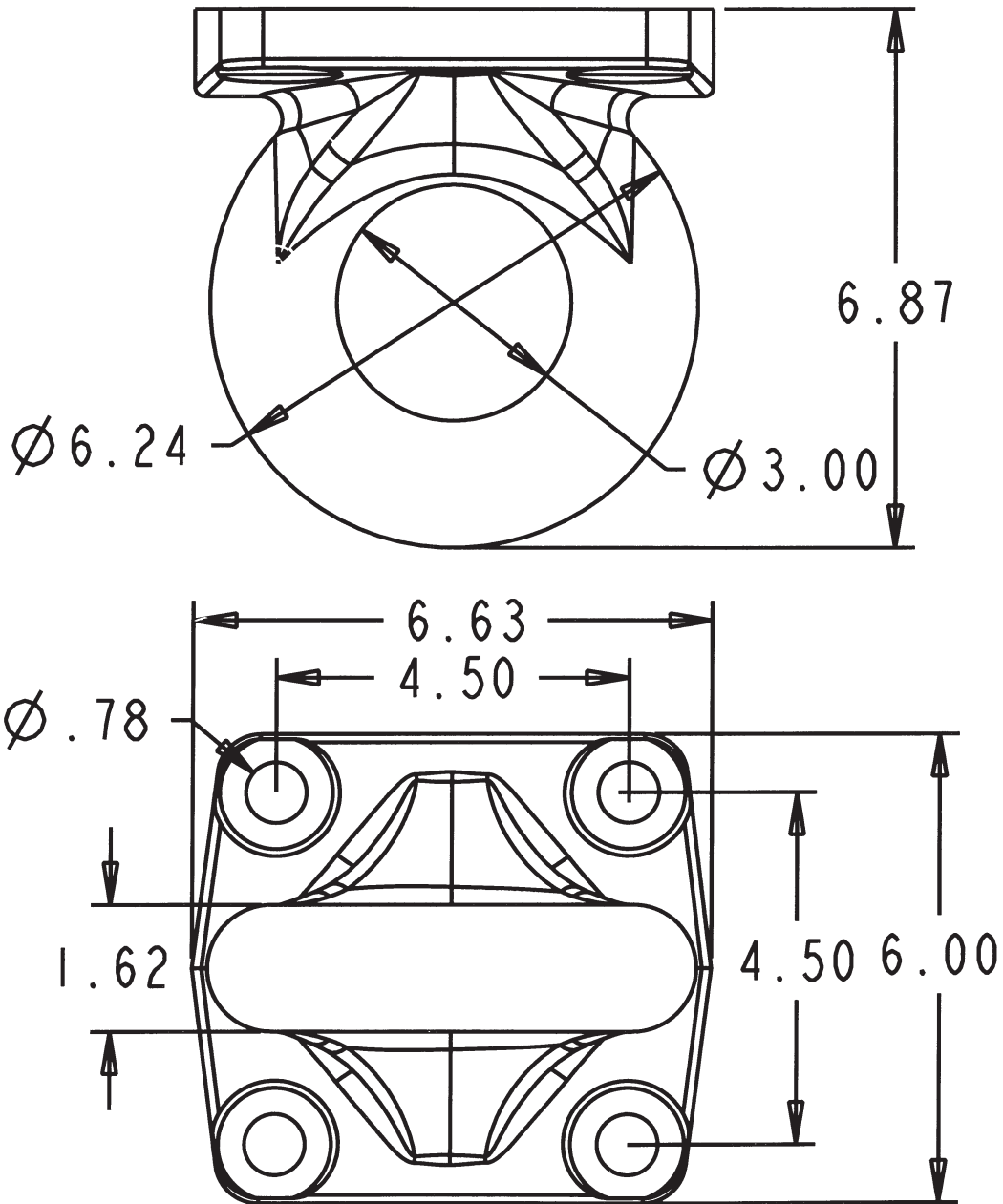
1. Do NOT modify or add to this product.
2. Wear safety goggles during installation, removal and rebuilding.
3. Never strike any part of the item with a steel hammer.
4. Do NOT weld on this product without written permission from the factory.

WARNING

This product must not be used or maintained in a careless manner.

WARNING

It is the user's responsibility to be sure that the pin-tle hook mounting surface is capable of 15,000 lbs. vertical load and 60,000 lbs. gross trailer wt.



Warranty

Buyers Products Co. warrants all truck/trailer hardware manufactured or distributed by it, to be free from defects in material and workmanship for a period of one year from date of shipment. Parts must be properly installed and used under normal conditions. Any product which has been altered, including modification, misuse, accident or lack of maintenance will not be considered under warranty. Normal wear is excluded. The sole responsibility of Buyers Products Co. under this warranty is limited to repairing or replacing any part or parts which are returned, prepaid, and are found to be defective by Buyers Products Co. Authorization from Buyers Products Co. must be obtained before returning any part. No charges for transportation or labor performed on Buyers' products will be allowed under this warranty.