

Installation Instructions

BP880 Heavy Duty Swivel Pintle Hook

Capacity

20,000 lbs. Maximum Vertical Load

100,000 lbs. Maximum Gross Trailer Weight

WARNING

Maintain adequate vertical (tongue) load to properly control the trailer (generally 10%) but do not exceed the above rated capacities.

Towing Applications

Use with trailers and equipment designed for over the road towing within the stated capacities. Use only with non-swivel type drawbar. This pintle hook is ideal for use in the utility and construction industries. For off-road applications, reduce the stated capacities by 25%.

Drawbar Eye Dimensions

3" I.D. with a 1-5/8" cross section.

Mounting

1. Use a mounting structure of sufficient strength to support the rated capacity to the pintle hook in accordance with S.A.E. J849 and J847.
2. Use the hole pattern shown on the reverse side of this sheet.
3. Install hitch assembly using four 7/8" grade 8 bolts and nuts, properly tightened. Torque the mounting fasteners to a minimum torque of 300 ft-lbs. Do not exceed the bolt manufacturer's recommended torque.
4. Verify that there is no fore and aft movement of pintle hitch. If the hitch has fore and aft movement torque the nut (FHN225045219) to 100 ft-lbs and re-install cotter pin. If necessary, loosen nut slightly to align the closest cotter pin hole.

Operating Instructions

1. Before operating, check for proper operation, worn, damaged, or missing parts and secure mounting bolts. Replace missing or worn parts as required.
2. Verify pintle is in the proper coupling position as shown (latch on top).
3. Open latch (3016168) by removing safety pin (3017021) and lifting the toggle and then the jaw assembly.
4. Lower drawbar eye over the horn of the pintle.



5. Close latch, insert and secure safety pin.
6. Verify that the latch is secure by lifting on toggle. The toggle and/or latch should not rotate open with safety pin installed.

WARNING: Other steps and inspections are also required. Consult D.O.T. regulations and American Trucking Association for complete coupling and uncoupling procedures.

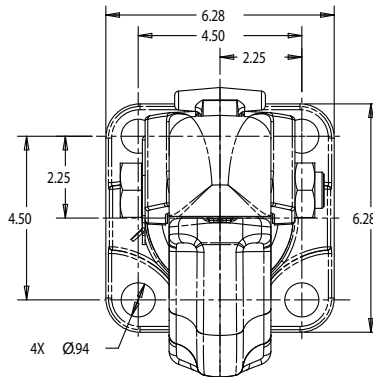
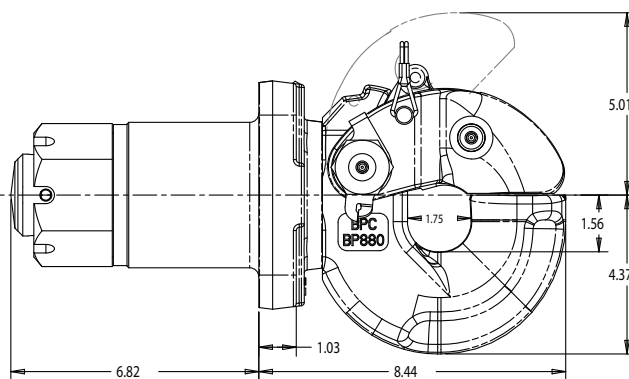
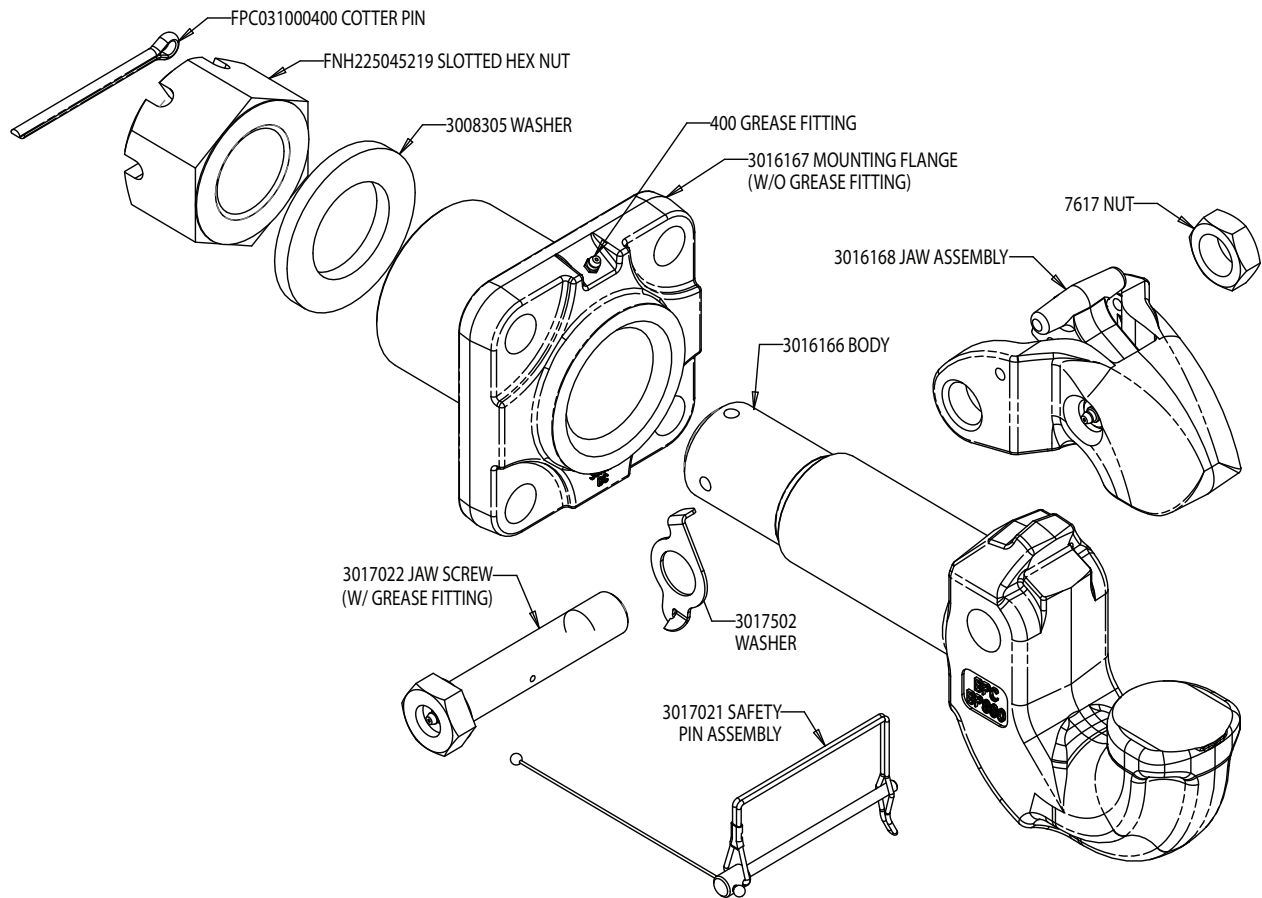
Maintenance & General Information

For proper performance, perform the following every 3,000 miles or 3 months, whichever comes first.

1. Clean and inspect for proper operation.
2. Inspect for worn, loose, or missing parts. Replace missing or worn parts, and check the torque of the mounting fasteners. Replace pintle hook after wear has exceeded 3/16" from the original surface.
3. Check for fore and aft movement of the pintle hook in the mounting flange. If hitch moves fore and aft, re-torque large nut as described in the Mounting step 4.
4. Lubricate hitch pivots. Apply a small quantity of grease through the grease zerks in the mounting bracket, and latch pivot points.
5. Do not add to, or modify this product.
6. Wear safety lens during installation, removal and rebuilding.
7. Never strike any part of the item with a steel hammer.
8. Do not weld on any part of this product.

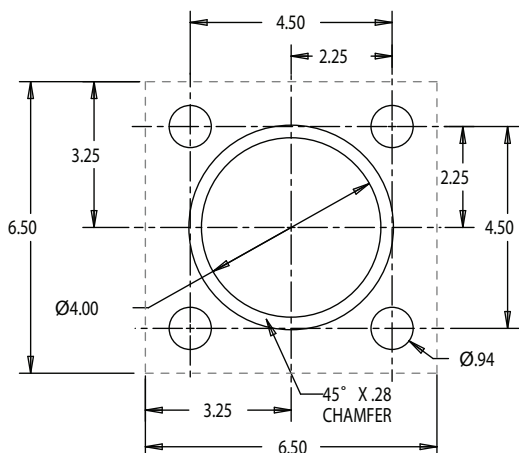
WARNING

It is the user's and/or installer's responsibility to be sure that the pintle hook mounting surface is capable of 20,000 lbs. vertical load and 100,000 lbs. gross trailer weight.



All dimensions shown are nominal.

MOUNTING HOLE PATTERN



Warranty

Buyers Products Co. warrants all truck/trailer hardware manufactured or distributed by it, to be free from defects in material and workmanship for a period of one year from date of shipment. Parts must be properly installed and used under normal conditions. Any product which has been altered, including modification, misuse, accident or lack of maintenance will not be considered under warranty. Normal wear is excluded. The sole responsibility of Buyers Products Co. under this warranty is limited to repairing or replacing any part or parts which are returned, prepaid, and are found to be defective by Buyers Products Co. Authorization from Buyers Products Co. must be obtained before returning any part. No charges for transportation or labor performed on Buyers' products will be allowed under this warranty.