

Installation Instructions

BP100A 15-Ton Pintle Hook

Capacity

30,000 lbs. MGTW

6,000 lbs. MVL

WARNING

Maintain adequate vertical (tongue) load to properly control the trailer (generally 10%) but do not exceed the above rated capacities.

Description

Swivel type pintle hook with spring cushion. Swivel provides torsional relief and spring provides some shock absorption at coupling.

Towing Applications

Use with trailers and equipment designed for over the road towing within the stated capacities. **Use only with non-swivel type drawbar.** This pintle hook is ideal for use in the utility and construction industries. For off road applications reduce the stated capacities by 25%.

Drawbar Eye Dimensions

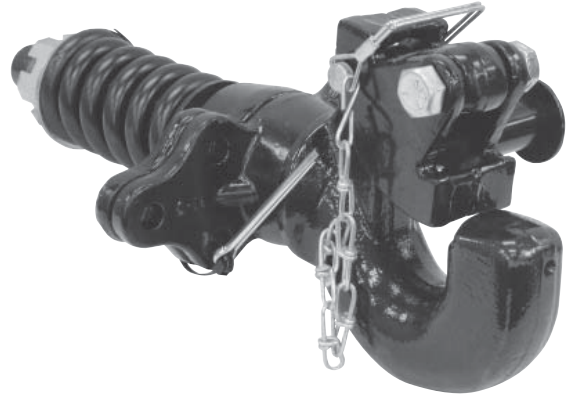
2-3/8" to 3" I.D. with 1-1/4" to 1-5/8" diameter section.

WARNING

Other steps and inspections are also required. Consult DOT regulations and American Trucking Association for complete coupling and uncoupling procedures.

Mounting

1. Use a mounting structure of sufficient strength to support the rated capacity of the pintle hook in accordance with S.A.E. J 849B.
2. Use the hole pattern shown on the reverse.
3. Remove the cotter pin, nut, washer, spring and both flanges.
4. Install flanges using six - 1/2" grade 8 bolts properly tightened.
5. Install pintle, spring, washer(s) and nut. Use one washer for 3/4" mounting thickness and two washers for 5/8" mounting thickness. Tighten nut to slightly compress spring and install cotter key in nut castellation. Spread cotter pin.



WARNING

Do not damage the latch. Be particularly careful with the drawbar when coupling and uncoupling

Operating Instructions

1. Before operating, check for proper operation, worn, damaged or missing parts and secure mounting. Correct flaws before use.
2. Move pintle to correct coupling position as shown above. (Latch on top)
3. Open latch by removing safety pin, pulling plunger, and rotating latch open.
4. Position drawbar eye over the horn of the pintle and lower into place.
5. To close latch, pull plunger, rotate latch closed and release plunger. Plunger must be fully engaged to lock the latch. Assemble safety lock pin.

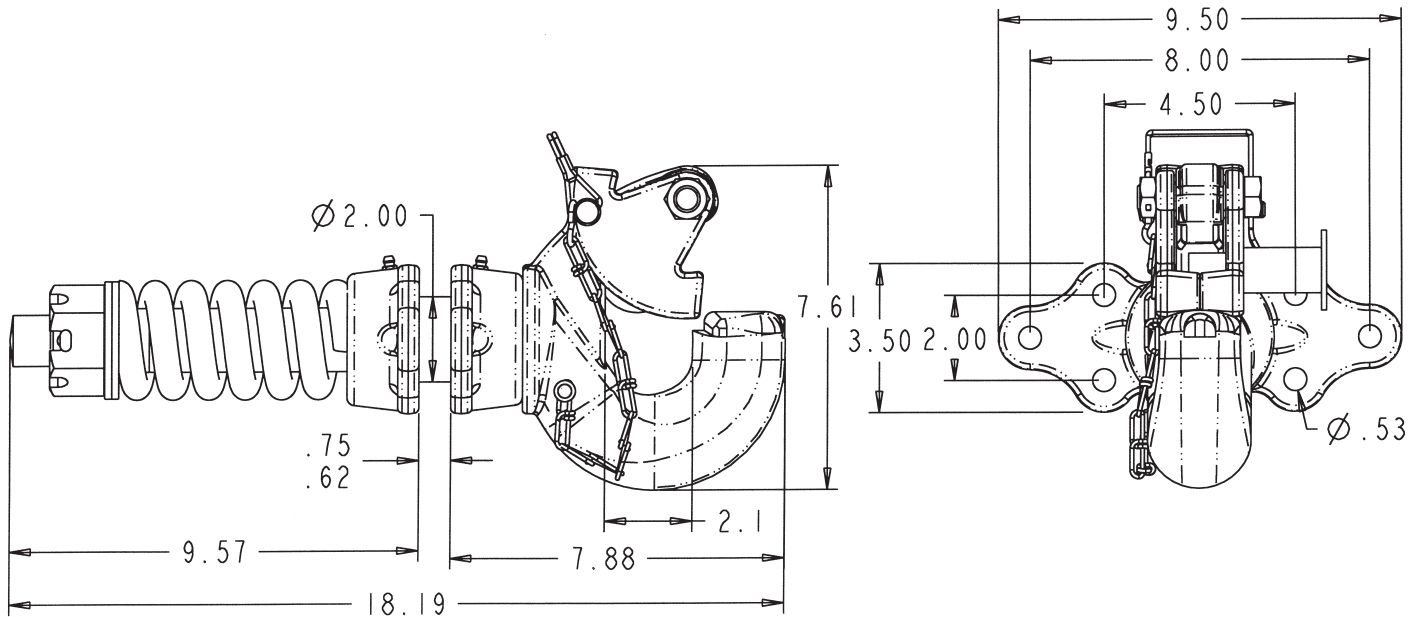
Maintenance

For proper performance, perform the following every 3,000 miles or 3 months, whichever comes first.

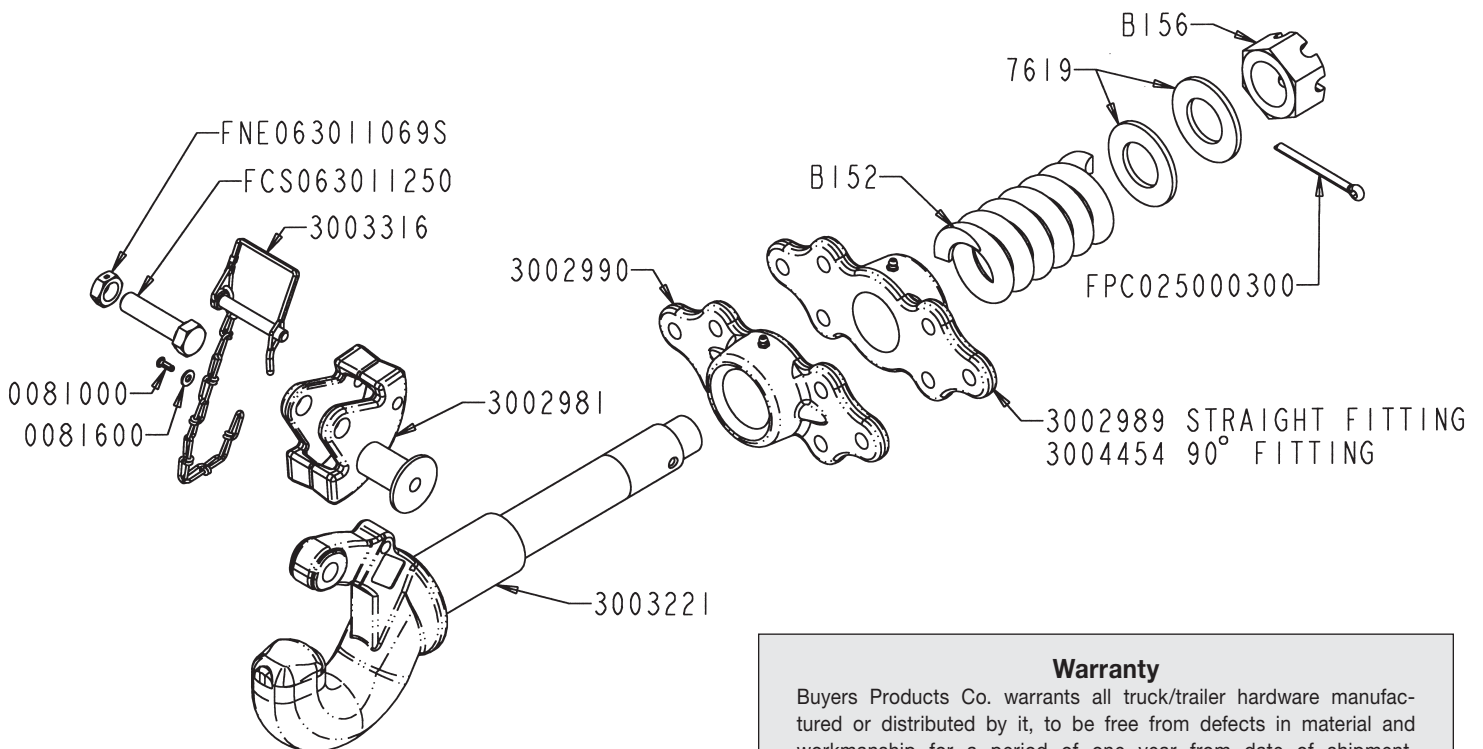
1. Clean and inspect for proper operation.
2. Inspect, in particular, the coupling area. Replace when wear exceeds 1/8" (.125") from the original surface profile.
3. Inspect for worn, damaged or missing parts. Replace as required.
4. Regularly lubricate latch and lock pivots with a light oil lubricant.
5. Check the mounting bolts for proper torque.

WARNING

It is the user's responsibility to be sure that the pintle hook mounting surface is capable of 6,000 lbs. vertical load and 50,000 lbs. gross trailer weight.



All dimensions shown are nominal.



Warranty

Buyers Products Co. warrants all truck/trailer hardware manufactured or distributed by it, to be free from defects in material and workmanship for a period of one year from date of shipment. Parts must be properly installed and used under normal conditions. Any product which has been altered, including modification, misuse, accident or lack of maintenance will not be considered under warranty. Normal wear is excluded. The sole responsibility of Buyers Products Co. under this warranty is limited to repairing or replacing any part or parts which are returned, prepaid, and are found to be defective by Buyers Products Co. Authorization from Buyers Products Co. must be obtained before returning any part. No charges for transportation or labor performed on Buyers' products will be allowed under this warranty.