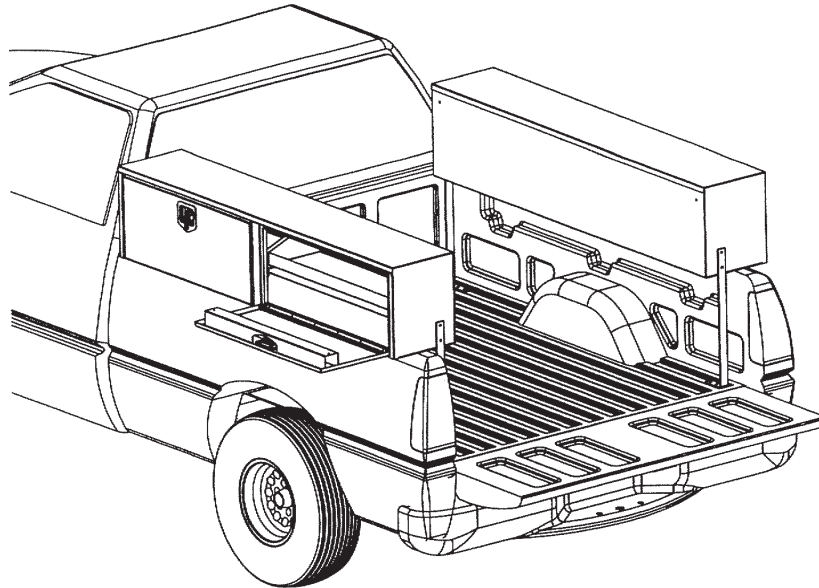


Installation Instructions

Topsider Toolbox



Before you begin installing:

1. Read and understand these instructions completely.
2. Verify that you have received all the parts listed in the bill of materials.

To prevent rust touch up any drilled holes with aerosol paint. To prevent leaks, seal drilled holes with a silicone sealant around the fasteners.

1. Park the vehicle on a level surface.
2. Turn the toolbox over and at each end of the box mark a line about 6" long, about 1" inside of and parallel to the end of the box. Mark 2 more lines centered in the box 12" apart. See figure 1.
3. Place the mounting pad in position on the top of the truck fender as shown in Figure 2. You may want to tape the pad to the fender to keep it from moving during installation.
4. Place the toolbox in position on top of the truck bed and support the rear of the box so the box can sit safely by itself. Support the box with scrap lumber or similar material. Level the box so it is horizontal when viewed from the rear.

Fasten the support legs directly to the truck floor and not to any bed liner or floor mat.

Tools Required:

- (2) 1/2" Open or Boxed End Wrench
- Ratchet Wrench with 1/2" Deep Well Socket
- Electric Drill
- 1/2" and 3/8" Drill Bits
- Carpenters Square
- Utility Knife or Scissors
- Tape
- 9/16" Open or Boxed End Wrench

CAUTION

To keep foreign materials out of your eyes when working, drilling or checking the underside of the vehicle, always wear protective eyewear.

DANGER

Do not use this toolbox for storing or transporting flammables, explosives, hazardous waste, gasoline, solvents, propane tanks, acetylene tanks or cutting torches. This product is only intended and safe for storing and transporting small tools and equipment. Any modifications or unintended use of this toolbox could create a hazardous condition that could result in death or serious personal injury or property damage.

5. Place one support leg as close to the rear corner of the box as possible and use a square to get proper vertical alignment. The closer the legs are mounted to the rear of the box, the more stable the box will be.

The foot of each of the support legs must be squarely mounted on or between the floor ribs.

6. Mark both leg foot holes on the floor of the truck bed and both leg top holes on the end of the toolbox.

7. Repeat the leg placement and marking process at the other end of the toolbox.

8. Using the bed lip as a guide, scribe a mark across the lines drawn in Step 2 on the underside of the box and at the point where the box and bed lip meet. If there is a stake pocket in the truck bed below the point where any of the 6" long lines intersect the truck bed, draw a new line just outside the stake pocket area and complete step 8 for that location.

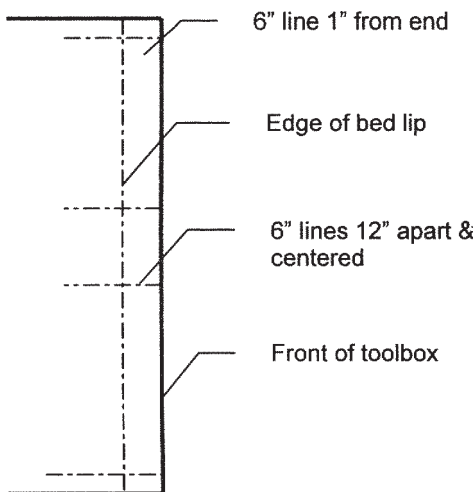


Fig. 1

9. Remove the toolbox from the truck, turn it over and mark the bottom 1/2" toward the inside of the toolbox at the 4 scribed lines created in Step 8. This is where the holes should be drilled.

10. Drill the necessary 3/8" diameter holes into the sides and bottom of the toolbox as well as the truck bed floor.

11. Fasten the legs to the toolbox and install the box into the truck bed. Fasten the leg feet to the floor and install the "J" bolts as shown in Figure 3.

WARNING

Check under vehicle for locations of fuel tanks, fuel lines, brake lines, electrical wiring, etc. before drilling any holes. Floor bolts near a gas tank should be installed from the bottom of the truck to guard against puncturing the tank in the event of collision.

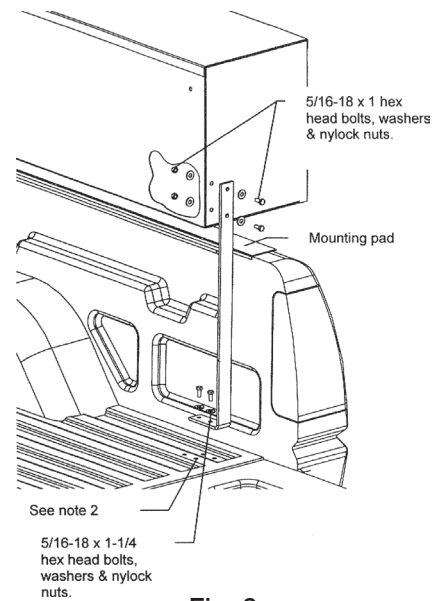


Fig. 2

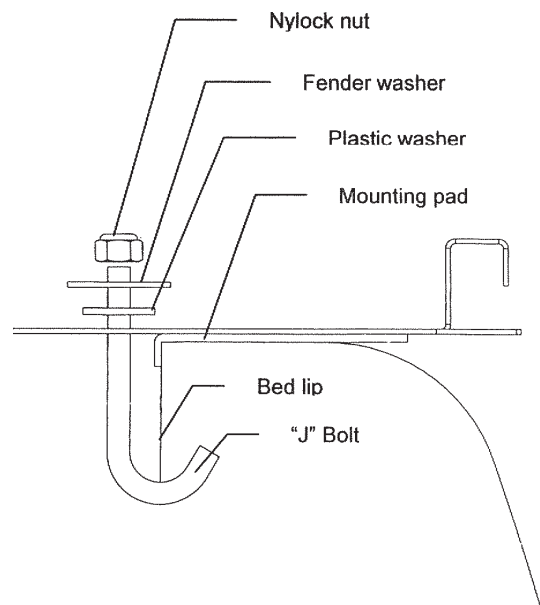


Fig. 3

WARRANTY

Buyers Products Co. warrants all truck/trailer hardware manufactured or distributed by it, to be free from defects in material and workmanship for a period of one year from date of shipment. Parts must be properly installed and used under normal conditions. Any product which has been altered, including modification, misuse, accident or lack of maintenance will not be considered under warranty. Normal wear is excluded. The sole responsibility of Buyers Products Co. under this warranty is limited to repairing or replacing any part or parts which are returned, prepaid, and are found to be defective by Buyers Products Co. Authorization from Buyers Products Co. must be obtained before returning any part. No charges for transportation or labor performed on Buyers' products will be allowed under this warranty.