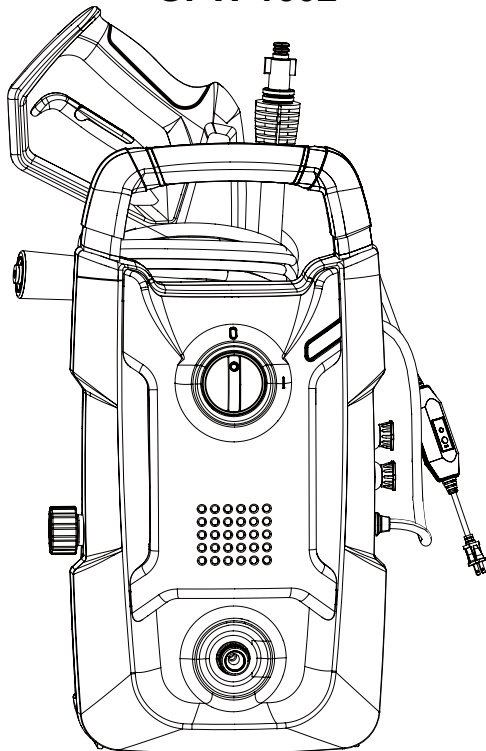




**1600 PSI / 1.2 GPM
ELECTRIC PRESSURE WASHER
GPW 1602**



OPERATOR'S MANUAL

TOLL-FREE HELPLINE: 1-888-90WORKS (888.909.6757)



Read all safety rules and instructions carefully before operating this tool.

www.greenworkstools.com

INSTRUCTION

Imporatant Safety Instructions.....	3
Specific Safety Rules.....	4-5
Symbols.....	6-7
Electrical.....	8
Know Your Pressure Washer.....	9
Packing List.....	10
Assembly.....	11-14
Operation.....	15-19
Maintenance.....	20-22
Troubleshooting.....	23-25
Warranty.....	26
Exploded View.....	27
Parts List.....	28-29

PRODUCT SPECIFICATION

Universal Motor.....	120V,60Hz, 13Amps
Power Cord with In-Line GFCI.....	35ft
Max. Pounds Per Square Inch Pressure.....	1600psi
Rated Gallons Per Minute.....	1.2gpm
Maximum Inlet Water Temperature.....	104°F (40 C)
Cleaning Units.....	1920 C.U
Unit Weight.....	19.07lbs(8.64kg)



IMPORTANT SAFETY INTRODUCTIONS

WARNING

Read and understand all instructions. Failure to follow all instructions listed below may result in electric shock, fire, and /or serious personal injury.

WARNING

When using this product, basic precaution should always be followed, including the following.

READ ALL INSTRUCTIONS BEFORE USING THIS PRODUCT

- To reduce the risk of injury, close supervision is necessary when a product is used near children.
- Be thoroughly familiar with controls. Know how to stop the product and release pressure quickly.
- Stay alert and exercise control. Watch what you are doing and use common sense. Do not operate the product when you are tired. Do not rush.
- Do not operate the product while under the influence of drugs, alcohol, or any medication.
- Keep the area of operation clear of all people, particularly small children, and pets.
- Don't overreach or stand on unstable support. Keep proper footing and balance at all times.
- Follow the maintenance instructions specified in this manual.


WARNING

Risk of injection or injury – Do not direct discharge stream at people or animals.

GROUND FAULT CIRCUIT INTERRUPTER PROTECTION

This pressure washer is provided with a ground fault circuit interrupter (GFCI) built into the plug of the power supply cord. This device provides additional protection from the risk of electric shock. Should replacement of the plug or cord become necessary, use only identical replacement parts that include GFCI protection.

SERVICING OF A DOUBLE-INSULATED APPLIANCE

In a double-insulated product, two systems of insulation are provided instead of grounding. No grounding means is provided on a double-insulated product, nor should a means for grounding be added to the product. Servicing a double insulated product requires extreme care and knowledge of the system, and should be done only by qualified service personnel. Replacement parts for a double insulated product must be identical to the parts they replace. A double insulated product is marked with the words "DOUBLE INSULATION" or "DOUBLE INSULATED." The symbol  may also be marked on the product.

EXTENSION CORDS

- Do not use with extension cord. Plug directly into receptacle.

WARNING

To reduce the risk of electrocution, keep all connections dry and off the ground. Do not touch plug with wet hands.

SPECIFIC SAFETY RULES

- **Know your product. Read the operator's manual carefully.** Learn the machine's applications and limitations as well as the specific potential hazards related to this product.
- **To reduce the risk of injury, keep children and visitors away.** All visitors should wear safety glasses and be kept a safe distance from the work area.
- **Use the right product for the job.** Don't force the product or the attachments to do a job it was not designed for. Don't use it for a purpose not intended.
- **Dress properly.** Do not wear loose clothing, gloves, neckties, or jewellery. They can get caught and draw you into moving parts. Rubber gloves and nonskid footwear are recommended when working outdoors. Also wear protective hair covering to contain long hair.
- **Do not operate the equipment while barefoot or when wearing sandals or similar lightweight footwear.** Wear protective footwear that will protect your feet and improve your footing on slippery surfaces.
- **Exercise caution to avoid slipping or falling.**
- **Always wear eye protection with side shields marked to comply with ANSI Z87.1.** Following this rule will reduce the risk of serious personal injury.
- **Use only recommended accessories.** The use of improper accessories may cause risk of injury.
- **Check damaged parts.** Before further use of the product, all parts should be carefully checked to determine that they will operate properly and perform their intended function. Check for alignment of moving parts, binding of moving parts, breakage of parts, mounting, and any other conditions that may affect its operation. A guard or other part that is damaged must be properly repaired or replaced by an authorized service center to avoid risk of personal injury.
- **Never leave product running unattended.** Turn power off. Do not leave the product until it comes to a complete stop.
- **Keep the motor free of grass, leaves, or grease to reduce the chance of a fire hazard.**
- **Follow manufacturer's recommendations for safe loading, unloading, transport, and storage of machine.**
- **Keep product dry, clean, and free from oil and grease.** Always use a clean cloth when cleaning. Never use brake fluids, gasoline, petroleum-based products, or any solvents to clean product.
- **Check the work area before each use.** Remove all objects such as rocks, broken glass, nails, wire, or string which can be thrown by the machine.
- **Do not use product if switch does not turn it off.** Have defective switches replaced by an authorized service center.
- **Avoid dangerous environment.** Don't expose to rain. Keep work area well lit.
- **Do not abuse the cord.** Never use the cord to carry the product or to disconnect the plug from an outlet. Keep cord away from heat, oil, sharp edges, or moving parts. Replace damaged cords immediately. Damaged cords increase the risk of electric shock.
- **Ground Fault Circuit Interrupter (GFCI) protection should be provided on the circuit(s) or outlet(s) to be used for the product** Receptacles are available having built-in GFCI protection and may be used for this measure of safety.
- **To reduce the risk of electric shock, this product has a polarized plug (one blade is wider than the other) and will require the use of a polarized extension cord.** The plug will fit into a polarized extension cord only one way. If the plug does not fit fully into the extension cord, reverse the plug. If the plug still does not fit, obtain a correct polarized extension cord. A polarized extension cord will require the use of a polarized wall outlet. This plug will fit into the polarized wall outlet only one way. If the plug does not fit fully into the wall outlet, reverse the plug. If the plug still does not fit, contact a qualified electrician to install the proper wall outlet. Do not change the equipment plug, extension cord receptacle, or extension cord plug in any way.

SPECIFIC SAFETY RULES

- **Make sure your extension cord is in good condition.** When using an extension cord, be sure to use one heavy enough to carry the current your product will draw. A wire gauge size (A.W.G.) of at least 14 is recommended for an extension cord 25 feet or less in length. If in doubt, use the next heavier gauge. The smaller the gauge number, the heavier the cord. An undersized cord will cause a drop in line voltage resulting in loss of power and overheating.
- **Inspect extension cords periodically and replace if damaged.** Keep handles dry, clean, and free from oil or grease.
- **Never direct a water stream toward people or pets, or any electrical device.**
- **Before starting any cleaning operation, close doors and windows.** Clear the area to be cleaned of debris, toys, outdoor furniture, or other objects that could create a hazard.
- **Do not use acids, alkalines, solvents, flammable material, bleaches, or industrial grade solutions in this product.** These products can cause physical injuries to the operator and irreversible damage to the machine.

WARNING

High pressure jets can be dangerous if subject to misuse. The jet must not be directed at people, animals, electrical devices, or the machine itself.

- **Keep the motor away from flammables and other hazardous materials.**
- **Check bolts and nuts fixing the pressure washer shell for looseness before each use.** A loose bolt or nut may cause serious motor problems.
- **Before storing, allow the motor to cool.**
- **When servicing use only identical replacement parts.** Use of any other parts may create a hazard or cause product damage.
- **ONLY use cold water.**
- **Make sure minimum clearance of 3 feet is maintained from combustible materials.**
- **Connect pressure washer only to an individual branch circuit.**
- **Hold the handle and wand securely with both hands.** Expect the trigger handle to move when the trigger is pulled due to reaction forces. Failure to do so could cause loss of control and injury to yourself and others.
- **Save these instructions.** Refer to them frequently and use them to instruct other users. If you loan someone this product, loan them these instructions also.

WARNING

Some dust created by power sanding, sawing, grinding, drilling, and other construction activities contains chemicals known to cause cancer, birth defects or other reproductive harm. Some examples of these chemicals are:

- Lead from lead-based paints
- Crystalline silica from bricks and cement and other masonry products
- Arsenic and chromium from chemically-treated lumber








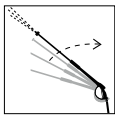


Your risk from these exposures varies, depending on how often you do this type of work. To reduce your exposure to these chemicals: work in a well ventilated area, and work with approved safety equipment, such as those dust masks that are specially designed to filter out microscopic particles.

WARNING

This product contains chemical(s) including lead, known to the State of California to cause cancer, birth defects, and other reproductive harm. Do not drink water from this hose. Wash hands after use.




SYMBOLS

Some of the following symbols may be used on this product. Please study them and learn their meaning. Proper interpretation of these symbols will allow you to operate the product better and safer.

SYMBOL	NAME	DESIGNATION/EXPLANATION
V	Volts	Voltage
A	Amperes	Current
Hz	Hertz	Frequency (cycles per second)
W	Watt	Power
no	No Load Speed	Rotational speed, at no load
	Alternating Current	Type of current
.../min	Per Minute	Revolutions, strokes, surface speed, orbits etc., per minute
	Class II Construction	Double-insulated construction
	Safety Alert	Indicates a potential personal injury hazard.
	Read Operator's Manual	To reduce the risk of injury, user must read and understand operator's manual before using this product.
	Eye Protection	Always wear eye protection with side shields marked to comply with ANSI Z87.1.
	Wet Conditions Alert	Do not expose to rain or use in damp locations.
	Risk of Injection	To reduce the risk of injection or injury, never direct a water system towards people or pets or place any body part in the stream. Leaking hoses and fittings are also capable of causing injection injury. Do not hold hoses or fittings.
	Kickback	To reduce the risk of injury from kickback, hold the spray wand securely with both hands when the machine is on.
	Electric Shock	Failure to use in dry conditions and to observe safe practices can result in electric shock.
	Chemical Burns	To reduce the risk of injury or damage, DO NOT USE ACIDS, ALKALINES, BLEACHES, SOLVENTS, FLAMMABLE MATERIAL, OR INDUSTRIAL GRADE SOLUTIONS in this product.

SYMBOLS

The following signal words and meanings are intended to explain the levels of risk associated with this product.

SYMBOL	SIGNAL	MEANING
	DANGER	Indicates an imminently hazardous situation, which, if not avoided, will result in death or serious injury.
	WARNING	Indicates a potentially hazardous situation, which, if not avoided, could result in death or serious injury.
	CAUTION	Indicates a potentially hazardous situation, which, if not avoided, may result in minor or moderate injury.
	CAUTION	(Without Safety Alert Symbol) Indicates a situation that may result in property damage.

SERVICE

Servicing requires extreme care and knowledge and should be performed only by a qualified service technician. For service, return the product to your nearest **AUTHORIZED SERVICE CENTER** for repair. When servicing, use only identical replacement parts.

WARNING

To avoid serious personal injury, do not attempt to use this product until you read thoroughly and understand completely the operator's manual. If you do not understand the warnings and instructions in the operator's manual, do not use this product. Call GREENWORKS customer service for assistance.



The operation of any power tool can result in foreign objects being thrown into your eyes, which can result in severe eye damage. Before beginning power tool operation, always wear safety goggles or safety glasses with side shields and, when needed, a full face shield. We recommend Wide Vision Safety Mask for use over eyeglasses or standard safety glasses with side shields. Always use eye protection which is marked to comply with ANSI Z87.1.

ELECTRICAL

⚠ WARNING

The double insulated system is intended to protect the user from shock resulting from a break in the product's internal insulation. Observe all normal safety precautions to avoid electrical shock.

DOUBLE INSULATED

Double insulation is a concept in safety in electric power tools, which eliminates the need for the usual three-wire grounded power cord. All exposed metal parts are isolated from the internal metal motor components with protecting insulation. Double insulated products do not need to be grounded.

NOTE: Servicing of a product with double insulation requires extreme care and knowledge of the system and should be performed only by a qualified service technician. For service, we suggest you return the product to your nearest authorized service center for repair. Always use identical replacement parts when servicing.

ELECTRICAL CONNECTION

This product has a precision-built electric motor. It should be connected to a power supply that is 120 volts, 60 Hz, AC only (normal household current). Do not operate this product on direct current (DC). A substantial voltage drop will cause a loss of power and the motor will overheat. If the product does not operate when plugged into an outlet, double check the power supply.

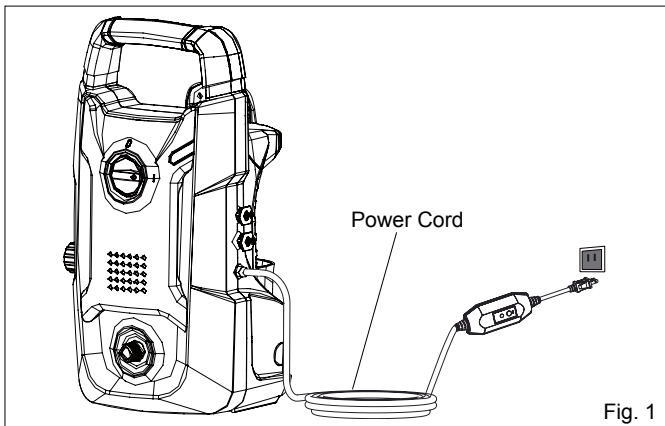


Fig. 1

GROUND FAULT CIRCUIT INTERRUPTER

This unit is equipped with a Ground Fault Circuit Interrupter (GFCI), which guards against the hazards of ground fault currents. An example of ground fault current is the current that would flow through a person who is using an appliance with faulty insulation and, at the same time, is in contact with an electrical ground such as a plumbing fixture, wet floor, or earth. GFCI plugs do not protect against short circuits, overloads, or shocks.

KNOW YOUR PRESSURE WASHER

The safe use of this product requires an understanding of the information on the tool and in this operator's manual, as well as a knowledge of the project you are attempting. Before using this product, familiarize yourself with all operating features and safety rules. (See Figure 2.)

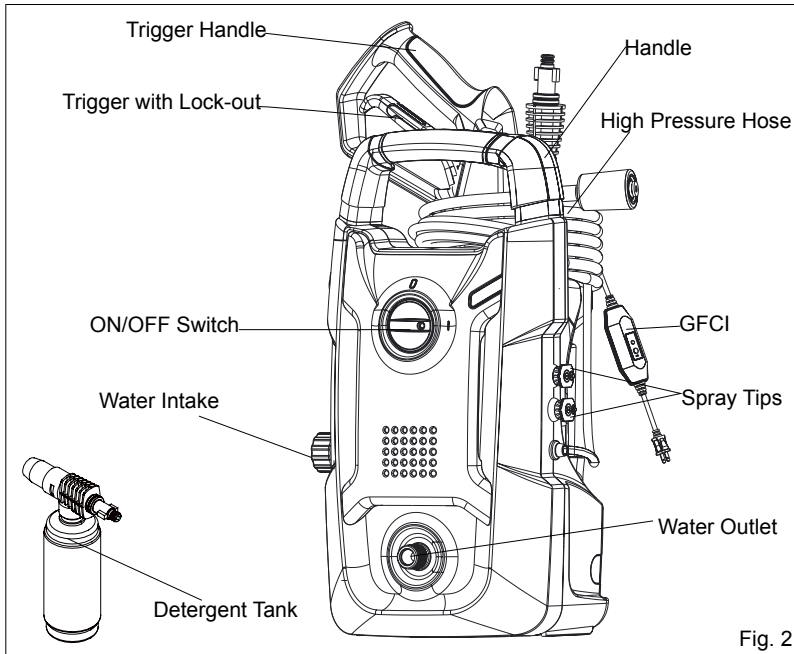


Fig. 2

DETERGENT TANK

Remove the cap from the detergent tank to add detergent to the pressure washer.

GFCI PLUG

The pressure washer is equipped with a GFCI plug to guard against the hazards of ground fault currents. This plug does not protect against short circuits, overloads, or shocks.

HIGH PRESSURE HOSE STORAGE

Once the high pressure hose is rolled, hang it on the top of the machine using the hook-and-loop strap to secure in place.

ON / OFF SWITCH

This switch turns the pressure washer on and off.

TRIGGER HANDLE

The trigger handle has a gripping surface that provides added control of the spray wand and helps reduce fatigue.

TRIGGER WITH LOCK-OUT

Pulling the trigger releases a stream of water for high pressure cleaning. The lock-out provides protection against accidental start up.

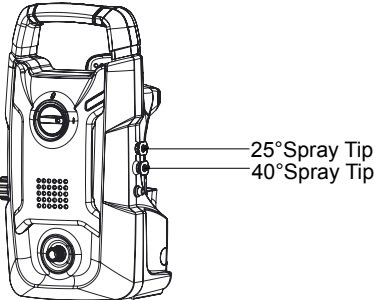
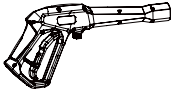





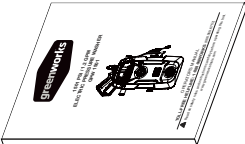
WATER INTAKE

Attach the garden hose to the water intake.

WATER OUTLET

Attach the High Pressure Hose to the water outlet.

PACKING LIST

PART NAME	ERP NO.	FIGURE	QTY
<ul style="list-style-type: none"> • Pressure Washer (including the spray tip) 			1
<ul style="list-style-type: none"> • Trigger Handle 	312021639		1
<ul style="list-style-type: none"> • Wand Assembly 	312011639		1
<ul style="list-style-type: none"> • 20 ft. High Pressure Hose 	31203670		1
<ul style="list-style-type: none"> • Detergent Tank 	31111368		1
<ul style="list-style-type: none"> • Spray Cleaner 	33201671		1
<ul style="list-style-type: none"> • Quick Start Guide 	388041828		1
<ul style="list-style-type: none"> • Operator's Manual 	388031828		1

ASSEMBLY

UNPACKING

This product requires assembly.

- Carefully remove the product and any accessories from the box. Make sure that all the contents from the packaging list are included.

WARNING

Do not use this product if any parts on the Packing List are already assembled to your product when you unpack it. Parts on this list are not assembled to the product by the manufacturer and require customer installation. Use of a product that may have been improperly assembled could result in serious personal injury.

-
- Inspect the product carefully to make sure no breakage or damage occurred during shipping.
 - Do not discard the packing material until you have carefully inspected and satisfactorily operated the product.
 - If any parts are damaged or missing, please call 1-888-909-6757 for assistance.

WARNING

If any parts are damaged or missing do not operate this product until the parts are replaced. Use of this product with damaged or missing parts could result in serious personal injury.

WARNING

Do not connect to power supply until assembly is complete. Failure to comply could result in accidental starting and possible serious personal injury.

WARNING

Do not attempt to modify this product or create accessories not recommended for use with this product. Any such alteration or modification is misuse and could result in a hazardous condition leading to possible serious personal injury.

ASSEMBLY

ASSEMBLING THE PRESSURE WASHER GUN

- Insert the male end (A) of the wand into the female bayonet outlet (B) firmly. (See Figure 3-1.)
- While pushing in the wand firmly, turn clockwise until tabs lock into place to ensure a leak-free connection. (See Figure 3-2.)

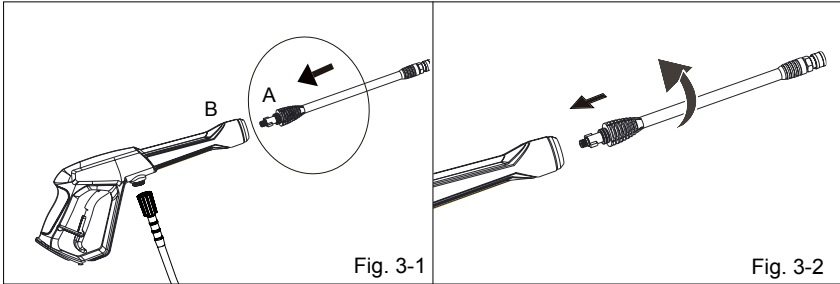


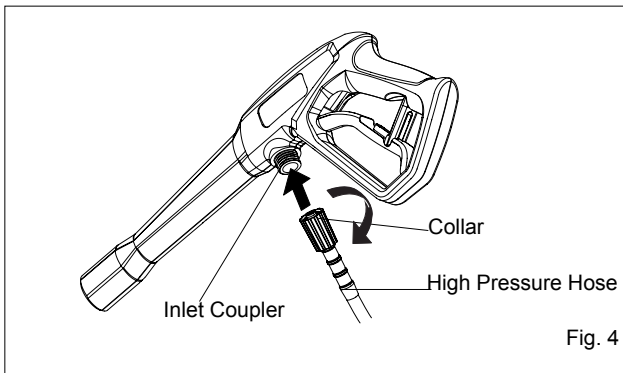
Fig. 3-1

Fig. 3-2

CONNECTING HIGH PRESSURE HOSE TO TRIGGER HANDLE (See Figure 4.)

- Connect the high pressure hose to the pressure washer gun assembly by turning the fitting clockwise. Ensure the fitting is fully tightened to the pressure washer gun.

NOTE: For easier installation of the hose to the unit or trigger it is suggested to add pressure washer or dish detergent to the rubber seal at each end of the hose. This will allow for easier installation and a snug fit.



ASSEMBLY

DETERGENT TANK

- Insert the male end of the bottle into the female outlet on the trigger handle. (See Figure 5-1.)
- While pushing in the bottle firmly, turn clockwise until tabs lock into place to ensure a leak-free connection. (See Figure 5-2.)
- Unscrew the bottle from the assembly and fill with pressure washer detergents/soaps only.

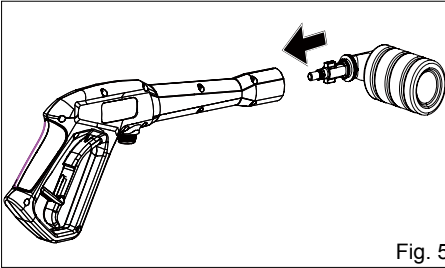


Fig. 5-1

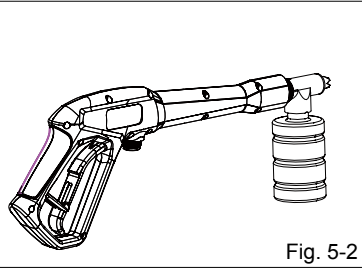


Fig. 5-2

ASSEMBLY

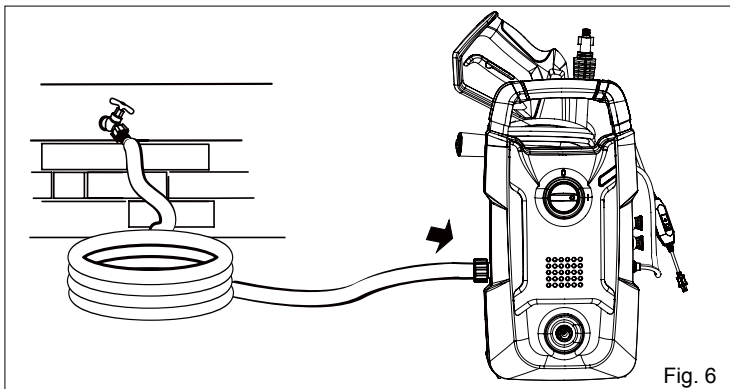
CONNECTING THE GARDEN HOSE (See Figure 6.)

CAUTION:

Always observe all local regulations when connecting hoses to the water main. Some areas have restrictions against connecting directly to public drinking water supply to prevent the feedback of chemicals into the drinking water supply. Direct connection through a receiver tank or back flow preventer is usually permitted.

The water supply must come from a water main. NEVER use hot water or water from pools, lakes, etc. Before connecting the garden hose:

- Uncoil the garden hose.
- Run the water hose until a steady stream of water appears to clean any debris from the hose.
- Inspect the screen in the water intake for any damage or build up of debris.
- If the screen is damaged, do not use the machine until the screen has been replaced.
- If the screen is dirty, clean it before connecting the garden hose to the machine.
- With the hose faucet turned completely off, attach the end of the garden hose to the water intake. Tighten by hand.



⚠ WARNING

Always ensure that the garden hose is connected to the unit and that the faucet is turned on, before the power to the unit is switched on. Pump damage will occur if these steps are not followed.

OPERATION

⚠ WARNING

Do not allow familiarity with the product to make you careless. Remember that a careless fraction of a second is sufficient to inflict serious injury.

⚠ WARNING

Never direct a water stream toward people or pets, or any electrical device. Failure to heed this warning could result in serious injury.

APPLICATIONS

You may use this product for the purposes listed below:

Cleaning cars, boats, motorcycles, outdoor furniture, grills, and house siding.

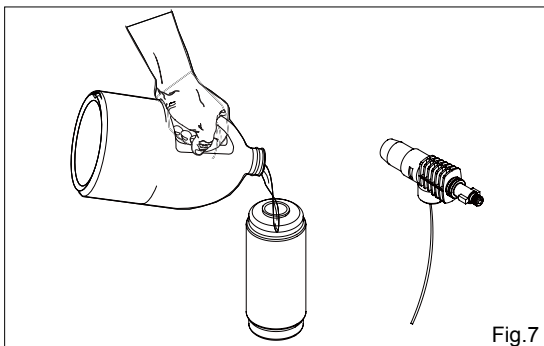
ADDING DETERGENT TO THE PRESSURE WASHER (See Figure 7.)

Use only detergents designed for pressure washers; household detergents, acids, alkalines, bleached, solvents, flammable materials, or industrial grade solutions can damage the pump.

Many detergents may require mixing prior to use. Prepare cleaning solution as instructed on the solution bottle.

- Unscrew the bottle from the soap applicator.
- Place the bottle on the ground or other stable surface.
- Fill with pressure washer detergent.
- Screw the bottle back onto the soap applicator.
- Attach the soap applicator to the trigger handle

NOTE: Use a funnel, if needed, to prevent accidental spilling of the detergent outside the tank. If any detergent is spilled during the filling process, make sure the unit is cleaned and dried before proceeding.



OPERATION

STARTING AND STOPPING THE PRESSURE WASHER

CAUTION :

Do not run the pump without the water supply connected and turned on.

- Connect the garden hose.
 - Turn the garden hose on then squeeze the high pressure trigger to relieve air pressure. Once a steady stream of water appears, release the trigger.
 - After ensuring the On/Off switch is in the "0/OFF" position, connect the pressure washer to the power supply.
 - Plug the pressure washer into the outlet and ensure the light on the GFCI is on, the unit is ready for operation.
 - Switch the pressure washer to the "I/ON" position to start the motor.
 - To stop the motor, release the trigger and turn the switch to the "0/OFF" position.
-

WARNING

Hold the handle and wand securely with both hands. Expect the trigger handle to move when the trigger is pulled due to reaction forces. Failure to do so could cause loss of control and injury to yourself and others.

NOTE: AUTO ON/OFF SWITCH: This Pressure washer is equipped with an Auto Start/Stop feature. To operate: Turn the power switch to the On (I) position. Pump will pressurize and shut down immediately. Once the trigger of the gun is depressed the unit will turn on. Unit will shut off and be in standby mode when trigger is released.

SOAP APPLICATION

Soap is applied under low pressure high volume for optimum performance.

Soap can not be applied under high pressure with this machine

Soap / Detergent can only be applied with this machine when the detergent tank is installed.

OPERATION

USING THE SPRAY WAND TRIGGER

For greater control and safety, keep both hands on the pressure washer gun at all times.

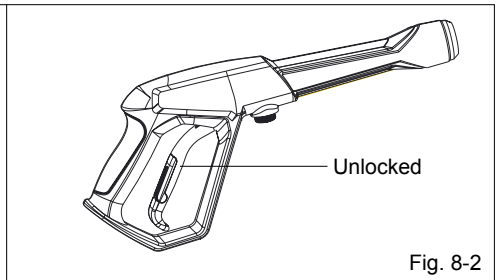
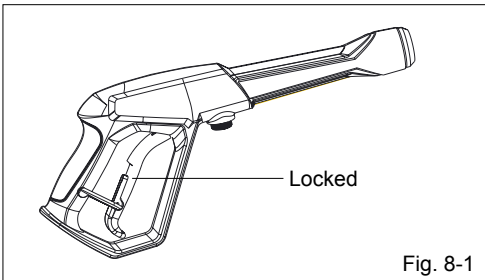
- Pull back and hold the trigger to operate the pressure washer.
- Release the trigger to stop the flow of water through the spray wand.

TO ENGAGE THE LOCK-OUT (See Figure 8-1.)

- Push up on the lock-out until it clicks into the slot. This will prevent any unintentional starts of the pressure washer.

TO DISENGAGE THE LOCK-OUT (See Figure 8-2.)

- Push the lock-out down and into its original position. For the most effective cleaning, the spray tip should be between 8 in. and 24 in. from the surface to be cleaned. If the spray is too close it can damage the cleaning surface.



WARNING

Do not slide lock-out button when you have the trigger at back position.

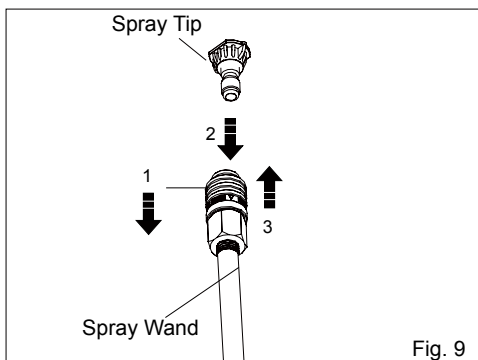
OPERATION

CHANGING THE SPRAY TIP *(See Figure 9.)*



⚠ WARNING

NEVER change spray tips without engaging the lock-out on the trigger handle and NEVER point the wand at your face or at others. The quick-connect feature contains small springs that could eject the spray tip with some force. Failure to heed this may cause personal injury.

- Turn off the pressure washer and shut off the water supply. Pull trigger to release water pressure.
- Engage the lock-out on the trigger handle by pushing the trigger lock button to the right.
- Pull back the quick-connect collar on the spray wand.
- Push the spray tip into place in the spray wand.
- Push the collar forward so that the spray tip is secured properly. Check to see that the spray tip is secure.



- 1-Pull back the quick-connect collar
- 2-Push the spray tip into place
- 3-Push the collar forward

SPRAY TIP	APPLICATION
 25°	<p>Green - Narrow fan tip (25°)</p> <ul style="list-style-type: none"> ■ The green pressure washer tip provides high versatility with its 25 degree angle tip. Referred to as the washing tip, because it provides adequate pressure to remove dirt from surfaces, but is designed to not damage many surfaces. This pressure washer tip is designed for “sweeping” foliage or debris given its wide angle. This tip is versatile due to its wide area of cleaning and strong pressure application.
 40°	<p>White - Wide fan tip (40°)</p> <ul style="list-style-type: none"> ■ The white 40 degree tip, referred to as the “fan” tip creates the widest area of cleaning with relatively low pressure. This pressure washer tip is best used for light or delicate cleaning applications. It is recommended for light cleaning on wood decks and other soft or delicate surfaces.

OPERATION

OPERATING THE PRESSURE WASHER (See Figure 10.)

Use only detergents designed for pressure washers.

Soap is applied under low pressure high volume for optimum performance.

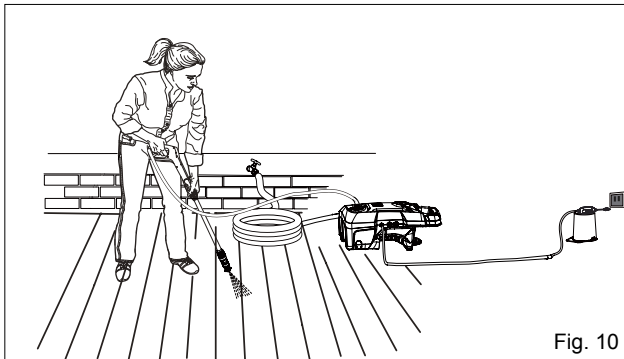
Soap can not be applied under high pressure with this machine.

To clean:

- Install the soap attachment on the spray wand.
- Start the pressure washer and spray the detergent on a dry surface using long, even, overlapping strokes. To prevent streaking, do not allow detergent to dry on the surface.

To rinse:

- Using the desired tip, spray away from the rinsing surface for approximately 10 seconds to allow any remaining detergent to be flushed from the line.
- Start at the top of the area to be rinsed and work down, overlapping the strokes.



MOVING THE PRESSURE WASHER

To move the pressure washer:

- Turn the pressure washer off. Point the spray wand in a safe direction and pull trigger to release water pressure.
- Tilt the machine toward you until it balances on the wheels then roll the machine to the desired position.

MAINTENANCE

WARNING

When servicing, use only identical replacement parts. Use of any other parts may create a hazard or cause product damage.

WARNING

Before inspecting, cleaning or servicing the machine, turn off the unit, unplug from the outlet, pull trigger to release water pressure and disconnect the high pressure hose. Failure to follow these instructions can result in serious personal injury or property damage.

GENERAL MAINTENANCE

Avoid using solvents when cleaning plastic parts. Most plastics are susceptible to damage from various types of commercial solvents and may be damaged by their use. Use clean cloths to remove dirt, dust, oil, grease, etc.

WARNING

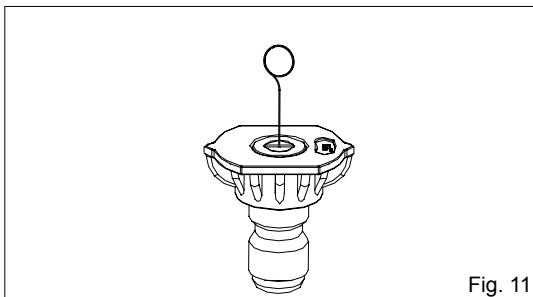
Do not at any time let brake fluids, gasoline, petroleum based products, penetrating oils, etc., come in contact with plastic parts. Chemicals can damage, weaken or destroy plastic which may result in serious personal injury.

Only the parts shown on the parts list are intended to be repaired or replaced by the customer. All other parts should be replaced at an authorized service center.

MAINTENANCE

SPRAY TIP MAINTENANCE (See Figure 11.)

Excessive pump pressure (a pulsing sensation felt while squeezing the trigger) may be the result of a clogged or dirty spray tip.



- Unplug the pressure washer.
- Turn off the pressure washer and shut off the water supply. Pull trigger to release water pressure.
- Remove the spray tip from the spray wand.

NOTE: Never point the spray wand at your face.

Using the spray cleaner provided, free any foreign materials clogging or restricting the spray tip opening. Refer to Fig. 11

- Using a garden hose, flush debris out of the spray tip by back flushing (running the water through the spray tip backwards or from the outside to the inside).
- Reconnect the spray tip to the spray wand.
- Turn on the water supply.

STORING THE PRESSURE WASHER

Store in a dry, covered area where the weather can't damage it. It is important to store this product in a frost-free area. Always empty water from all hoses, the pump, and the detergent container before storing.

NOTE: Use of a pump saver will give you better performance and increase the life of the machine.

MAINTENANCE

QUICK WINTERIZING PROCEDURE

If you cannot do the Optimum Winterizing procedure, you can still protect your pressure washer from winter damage by doing below:

- Disconnect all water connections.
- Turn on the machine for a few second, until the remaining water in the pump exits. Turn off immediately.
- Do not allow high-pressure hose to become kinked.
- Store the machine and accessories in a room that does not reach freezing temperatures. Do not store near furnace or other sources of heat as it may dry out the pump seals.

CAUTION :

Drain gun assembly of any remaining water. Aim gun downwards and squeeze trigger.

SHUTTING DOWN AND CLEANING UP

- (If you are not using detergent, go directly to Step 2.) When you have finished using the detergent injection system, fill detergent bottle with clean water. Siphon water at low-pressure for one minute so that all detergent is flushed through system. Remove detergent bottle and rinse it thoroughly.
- Disconnect the garden hose from the water inlet on the unit.
- Press trigger to release any remaining water pressure.
- Turn the switch to "OFF" (O) position.
- Unplug the power cord from the outlet.
- Engage gun safety lock.

WARNING

Turn off water supply and squeeze trigger to depressurize the unit. Failure to do so could result in personal injury due to discharge of high-pressure water.

TAKING A BREAK

If taking a break of five minutes or more.

- Engage gun safety lock.
- Turn unit to "OFF" (O) position.
- Unplug the power cord from the outlet.

IMPORTANT :

The use of a pump protector is recommended when storing to help prevent a against freezing over the winter months. It also help prevent the seals from drying out while sitting in storage in all climates.

TROUBLESHOOTING

PROBLEM	POSSIBLE CAUSE	SOLUTION
Motor will not start.	On/Off switch is in the "OFF" (O) position.	Turn switch to the "ON" () position. Squeeze gun trigger.
	Power cord is not plugged in.	Plug in power cord.
	Extension cord is too long. Extension cord is not proper gauge. Extension cord is damaged.	Replace extension cord with either a 25' (7.6 m) 14 AWG cord or a 50' (15 m) 12 AWG cord.
	Electrical outlet does not supply adequate power.	Try a different outlet.
	Tripped pressure washer circuit breaker.	Allow to cool, and restart unit.
Unit does not reach high pressure.	Diameter of garden hose is too small.	Replace with a 1" (25 mm) or 5/8" (16 mm) garden hose.
	Water supply is restricted.	Check garden hose for kinks, leaks and blockage.
	Not enough water supply.	Open water source fully.
	Pressure tip has not been installed on wand assembly.	Add desired pressure tip to end of wand. See page 18 Fig. 9 for details.
	Water intake filter is clogged.	Remove filter and rinse in warm water.
	Pump is sucking air.	Check that hoses and fittings are airtight. Turn "OFF" machine, and purge pump by squeezing trigger gun until a steady flow of water emerge through the spray tip.
	Detergent bottle or suction tube not properly connected.	Install detergent bottle or suction tube correctly.
	Detergent is too thick.	Dilute detergent.

TROUBLESHOOTING

PROBLEM	POSSIBLE CAUSE	SOLUTION
Unit does not reach high pressure. (continued)	Filter on detergent suction tube is clogged.	Run warm water through the filter to remove build up.
	Damaged or clogged detergent suction tube.	Remove obstruction or replace detergent suction tube.
	Discharge spray tip is obstructed.	Blow out or remove debris with a needle or spray cleaner. Refer to Fig. 11 in this manual.
Output pressure varies high and low.	Not enough inlet water supply.	Turn water on fully. Check garden hose for kinks, leaks or blockage.
	Pump is sucking air.	Check that hoses and fittings are airtight. Turn "OFF" machine, and purge pump by squeezing trigger gun until a steady flow of water emerge through the spray tip.
	Water intake filter clogged.	Remove filter and rinse in warm water.
	Discharge spray tip is obstructed.	Blow out or remove debris with a needle or spray cleaner. Refer to Fig. 11 in this manual.
	Calcified gun, hose or power spray tip.	Clean with distilled vinegar or a cleaner specifically made for the task.
Garden hose connection leaks.	Loose fittings.	Tighten fittings.
	Missing/worn rubber washer.	Replace washer.
Spray wand, extension, or spray tip leaks.	Broken o-ring or plastic insert.	Call the Toll-Free Helpline.
Pump is noisy.	Pump is sucking air.	Check that hoses and fittings are airtight. Turn "OFF" machine, and purge pump by squeezing trigger gun until a steady flow of water emerge through the spray tip.
	Water inlet filter clogged.	Remove filter and rinse in warm water.
Water leaks from pump.	Loose fittings.	Check that all fittings are tight.
	Water seals are damaged or worn.	Call the Toll-Free Helpline.
Oil is dripping.	Oil seals are damaged or worn.	Call the Toll-Free Helpline.

TROUBLESHOOTING

PROBLEM	POSSIBLE CAUSE	SOLUTION
Motor buzzes but fails to run.	Supply voltage below minimum.	Verify that only the pressure washer is running on this circuit.
	System has residual pressure.	Turn unit "OFF", squeeze trigger on spray wand to release pressure, then turn unit "ON".
	Voltage loss due to extension cord.	Unplug any extension cords attached and plug the unit directly into the outlet.
	Pressure washer not used for long periods.	Call the Toll-Free Helpline.
	Residual friction among components. Unit might hum.	Disconnect water supply and power ON for 2 to 3 seconds, repeat couple times or until the motor starts.
No water.	Water supply is OFF.	Turn ON water supply.
	Kink in the garden hose.	Remove kink in garden hose.

NOTE: AUTO ON/OFF SWITCH: *This Pressure washer is equipped with an Auto Start/ Stop feature. To operate: Press power switch On (I). Pump will pressurize and shut down immediately. Once the trigger of the gun is depressed the unit will turn on. Unit will shut off and be in standby mode when trigger is released.*

WARRANTY



GREENWORKS™ hereby warrants this product, to the original purchaser with **proof of purchase**, for a period of one (1) years against defects in materials, parts or workmanship. GREENWORKS™, at its own discretion will repair or replace any and all parts found to be defective, through normal use, free of charge to the customer. This warranty is valid only for units which have been used for personal use that have not been hired or rented for industrial/ commercial use, and that have been maintained in accordance with the instructions in the owners' manual supplied with the product from new.

ITEMS NOT COVERED BY WARRANTY:

1. Any part that has become inoperative due to misuse, commercial use, abuse, neglect, accident, improper maintenance, or alteration; or
2. The unit, if it has not been operated and/or maintained in accordance with the owner's manual; or
3. Normal wear, except as noted below;
4. Routine maintenance items such as draining the water to avoid freezing/ice damage to pump and components.
5. Normal deterioration of the exterior finish due to use or exposure.

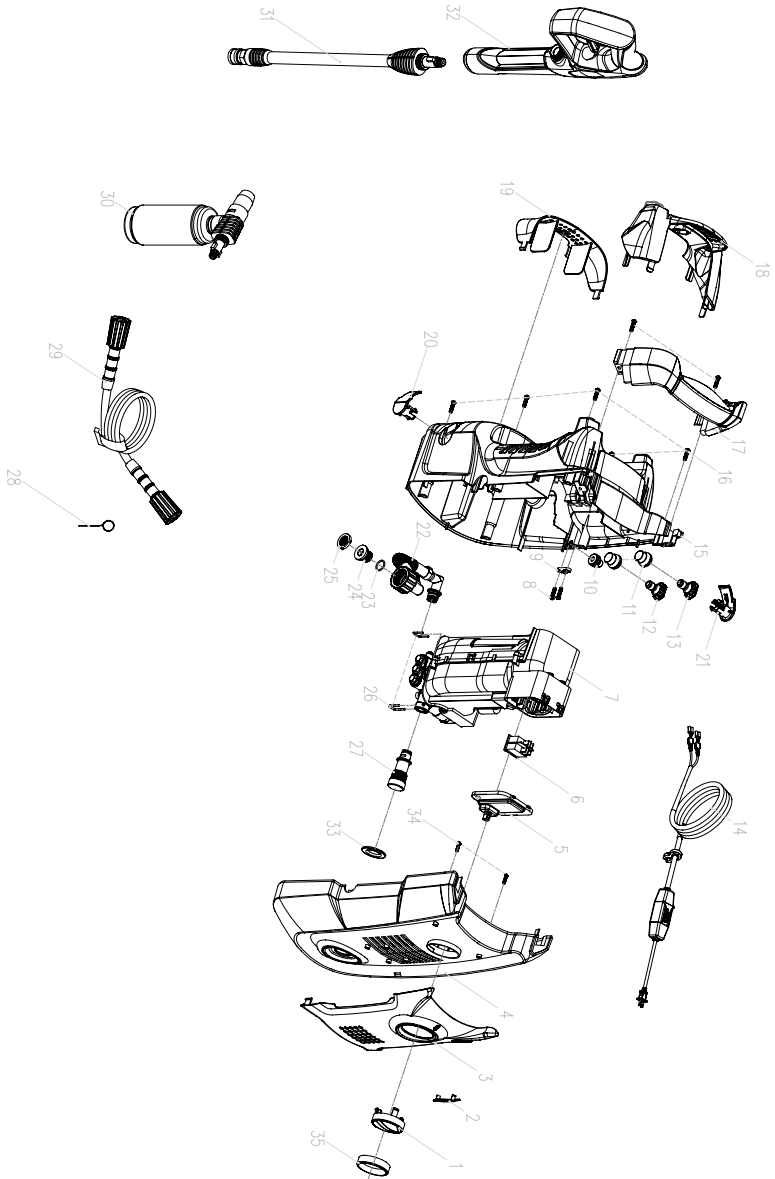
GREENWORKS HELPLINE (1-888-90WORKS):

Warranty service is available by calling our toll-free helpline, at **1-888-909-6757 (1-888-90WORKS)**. Order Replacement parts online @ www.greenworkstools.com

TRANSPORTATION CHARGES:

Transportation charges for the movement of any power equipment unit or attachment are the responsibility of the purchaser. It is the purchaser's responsibility to pay transportation charges for any part submitted for replacement under this warranty unless such return is requested in writing by GREENWORKS.

EXPLODED VIEW



PARTS LIST

ITEM NO.	PART NO.	DESCRIPTION	QTY
1	341091639	Switch knob	1
2	341041639	Performance label panel	1
3	341031639	Front panel	1
4	341011639	Front housing	1
5	311161639	Switch box cover assy	1
6	363021628	Power switch	1
7	311151639	Motor & pump assy	1
8	32202847	Screw ST4.2*15-F	2
9	3410801	Power cord clamp	1
10	34222302	Power cord grommet	1
11	34211319	Nozzle grommet	2
12	31225363	25 degree spray tip	1
13	31240363	40 degree spray tip	1
14	311021828	Power cord assy	1
15	341021639	Back housing	1
16	32202847	Screw ST4.2*15-F	9
17	311041828	Handle assy	1
18	311131639	Back upper panel assy	1
19	341061639	Back lower panel assy	1
20	341021828	Left wheel axle hole cover	1
21	341031828	Right wheel axle hole cover	1
22	311141639	Water inlet pipe assy	1
23	34213301A	O-ring	1
24	33177307	Water inlet nut	1

PARTS LIST

ITEM NO.	PART NO.	DESCRIPTION	QTY
25	31901677	Water inlet filter	1
26	33307671	Upin	2
27	311171639	Water outlet connector assy	1
28	33201671	Spray cleaner	1
29	31203670	High pressure hose assy	1
30	31111368	Low pressure soap bottle	1
31	312011639	Gun wand assy	1
32	312021639	Gun handle assy	1
33	349011639	Outlet connector seal gasket	1
34	32210302A	Screw ST3.5*12	2
35	342021639	Switch knob seal	1

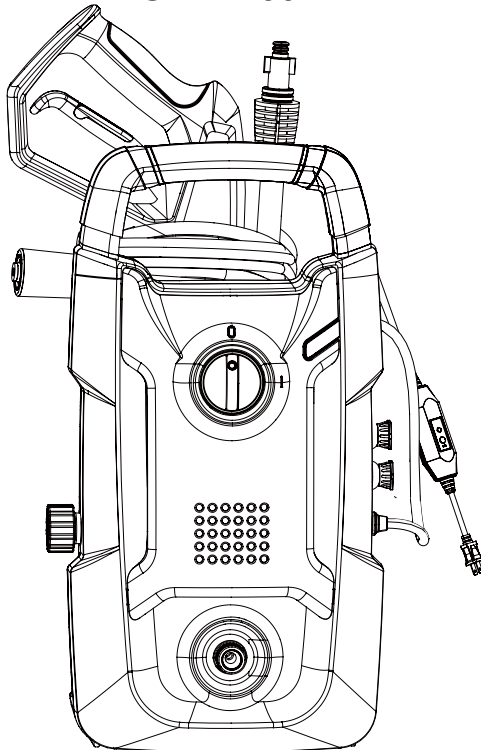


TOLL-FREE HELPLINE: 1-888-90WORKS (888.909.6757)

Rev: 00 (14-12-09)



**LAVADORA ELÉCTRICA A PRESIÓN
DE 1600 LBS/PULG² 1.2 GPM
GPW 1602**



MANUAL DEL OPERADOR

LÍNEA TELEFÓNICA GRATIS PARA AYUDA: 1-888-90WORKS(888.909.6757)



Antes de hacer funcionar esta herramienta, lea cuidadosamente todas las reglas de seguridad y las instrucciones.

www.greenworkstools.com

INTRODUCCIÓN

Instrucciones importantes sobre seguridad.....	3
Reglas específicas sobre seguridad	4-5
Símbolos.....	6-7
Sistema eléctrico.....	8
Familiarícese con su lavadora a presión.....	9
Listado de embalaje.....	10
Ensamblaje.....	11-14
Funcionamiento.....	15-19
Mantenimiento.....	20-22
Resolución de averías.....	23-25
Garantía.....	26
Diagrama de componentes.....	27
Lista de piezas.....	28-29

ESPECIFICACIONES DEL PRODUCTO

Motor universal.....	120V,60Hz, 13Amps
Cable de alimentación GFCI.....	10,6 m (35 pies)
Presión máxima en libras por pulgada cuadrada.....	1600psi
Clasificación en galones por minuto.....	1.2gpm
Temperatura máxima del suministro de agua.....	104°F (40 C)
Limpieza de las unidades.....	1920 C.U
Peso de la unidad.....	19.07lbs(8.64kg)



INSTRUCCIONES IMPORTANTES SOBRE SEGURIDAD

ADVERTENCIA

Lea y comprenda todas las instrucciones. No obedecer todas las instrucciones que se listan a continuación podría resultar en choques eléctricos, incendios o lesiones personales graves.

ADVERTENCIA

Al utilizar este producto se debe siempre observar ciertas precauciones básicas, incluyendo las siguientes:

ANTES DE USAR ESTE PRODUCTO LEA TODAS LAS INSTRUCCIONES

- Para reducir el riesgo de lesiones, se debe suministrar supervisión constante al haber niños presentes cuando se está utilizando este producto.
- Familiarícese completamente con los controles. Aprenda cómo detener el producto y liberar la presión rápidamente.
- Manténgase alerta y ejerza control. Ponga atención a lo que está haciendo y use el sentido común. No opere el producto si está cansado. No se apresure.
- No opere el producto mientras se encuentre bajo la influencia de drogas, alcohol o cualquier medicamento.
- Mantenga el área de operación libre de personas, especialmente niños pequeños, así como de mascotas.
- No extienda su cuerpo más allá de su alcance natural ni se pare sobre superficies inestables. Asiente bien los pies y mantenga su equilibrio en todo momento.
- Siga las instrucciones de mantenimiento que se especifican en este manual.


ADVERTENCIA

Riesgo de inyección o lesiones: – No dirija el chorro de salida a otras personas ni animales.

PROTECCIÓN CON INTERRUPTOR DE CIRCUITO POR FALLA A TIERRA

Se suministra esta lavadora a presión con un interruptor de circuito por falla a tierra (GFCI) incorporado al enchufe del cordón de alimentación. Este dispositivo proporciona protección adicional contra el riesgo de choques eléctricos. En caso de ser necesario reemplazar el enchufe o el cordón, use solamente piezas de repuesto idénticas que incluyan la protección con GFCI.

CÓMO DAR SERVICIO A ELECTRODOMÉSTICOS CON AISLAMIENTO DOBLE

En los productos con aislamiento doble, se suministran dos sistemas de aislamiento en lugar de conexión a tierra. Los productos con aislamiento doble no cuentan con medios para conexión a tierra ni es necesario añadirse los. Para dar servicio a productos con aislamiento doble es necesario tener extremo cuidado y conocimiento del sistema, además solamente personal de servicio calificado puede efectuarlo. Los repuestos para productos con aislamiento doble deben ser idénticos a las piezas originales. Los productos con aislamiento doble tienen marcados los rótulos “DOUBLE INSULATION” o “DOUBLE INSULATED”. Además podría ser que el símbolo  esté marcado en el producto.

CORDONES PARA EXTENSIÓN

- No la use con cordones de extensión. Enchúfela directamente en un tomacorriente.

ADVERTENCIA

Para reducir el riesgo de electrocución, mantenga todas las conexiones secas y alejadas del suelo. No toque el enchufe con las manos mojadas.

REGLAS DE SEGURIDAD ESPECÍFICAS

- **Familiarícese con el producto.** Lea cuidadosamente el manual del operador. Aprenda los usos y limitaciones de la máquina así como los peligros potenciales específicos para el producto.
- **Para reducir los riesgos de lesiones, mantenga alejados a los niños y los visitantes.** Todos los visitantes deben utilizar gafas de seguridad y mantenerse a una distancia prudencial de la zona de trabajo.
- **Utilice el producto correcto para el trabajo que vaya a realizar.** No obligue al producto o accesorios a efectuar tareas para las cuales no fueron diseñados. No lo use para propósitos no adecuados.
- **Use la vestimenta apropiada.** No use ropa, guantes, collares o joyería holgados. Estos se podrían atorar y arrastrarlo hacia las piezas móviles. Al trabajar a la intemperie se recomienda usar guantes de caucho y calzado antideslizante. Además use una cubierta protectora para contener el cabello largo.
- **No haga funcionar el equipo estando descalzo ni al usar sandalias o calzado ligero similar.** Use calzado protector que resguarde sus pies y aumente su tracción en superficies lisas. • Sea precavido para evitar deslices o caídas.
- **Sea precavido para evitar deslices o caídas.**
- **Use siempre protección para los ojos con cubiertas laterales y viñetas que indiquen que cumple la norma ANSI Z87.1.** Observar esta regla reduce el riesgo de lesiones personales graves.
- **Use solamente los accesorios recomendados.** El uso de accesorios inadecuados podría provocar riesgo de lesiones.
- **Verifique que no existan piezas dañadas.** Antes de continuar usando el producto, se debe revisar cuidadosamente todas las piezas para establecer si han de funcionar apropiadamente y efectuar la función para la ellas se les diseñó. Compruebe que las piezas móviles están alineadas y que no se traban, que no hay piezas quebradas, montaje y que no hay alguna otra condición que pudiera afectar su funcionamiento. Para evitar los riesgos de lesiones personales, un centro de servicio autorizado debe reparar o reemplazar adecuadamente las cubiertas protectoras u otras piezas dañadas.
- **Nunca deje el producto encendido sin la debida atención.** Apáguelo. No se aleje del producto hasta haberse detenido completamente.
- **Mantenga el motor libre de grama, hojas y grasa para reducir la posibilidad de incendios.**
- **Siga las recomendaciones del fabricante en cuanto a cómo cargar, descargar, transportar y almacenar la máquina con seguridad.**
- **Mantenga el producto seco, limpio y libre de aceite y grasa.** Al limpiarlo use siempre un paño limpio. Nunca use fluido para frenos, gasolina, productos a base de petróleo ni cualquier solvente para limpiar el producto.
- **Revise el área de trabajo cada vez antes de usarlo.** Quite todo objeto inadecuado tal como rocas, fragmentos de vidrio, clavos, alambre o una cuerda que puede ser arrojada por la máquina.
- **No use el producto si el interruptor no lo enciende o apaga.** Haga que un centro para servicio autorizado reemplace los interruptores defectuosos.
- **Evite los entornos peligrosos.** No la exponga a la lluvia. Mantenga el área de trabajo bien iluminada.
- **No maltrate el cordón.** Nunca use el cordón para portar el producto ni para desconectar su enchufe del tomacorriente. Mantenga el cordón alejado del calor, aceite, bordes filosos y piezas móviles. Reemplace inmediatamente los cordones dañados. Los cordones dañados aumentan el riesgo de choques eléctricos.
- **Los circuitos y enchufes eléctricos en los que se ha de conectar el producto deben contar con protección GFCI o sea Interrupción de Circuito con Falla a Tierra.** Se encuentran disponibles tomacorrientes con protección por Interrupción de Circuito con Falla a Tierra (GFCI) incorporada y se les puede usar como una medida extra de seguridad.
- **Para reducir el riesgo de choques eléctricos, este producto cuenta con un enchufe polarizado (una de sus aspas es más ancha que la otra) y es necesario utilizar un cordón para extensión polarizado.** El enchufe se acopla solamente de una forma en los cordones para extensión polarizados. Si el enchufe no se acopla exactamente al cordón para extensión, invierta el modo de conexión. Si el enchufe aún no se acopla, busque un cordón para extensión polarizado adecuado. Para conectar un cordón para extensión polarizado se debe utilizar un tomacorriente polarizado. Esos enchufes se acoplan solamente de una forma en los tomacorrientes polarizados. Si el enchufe no se acopla completamente al tomacorriente, invierta el modo de conexión. Si el enchufe aún no se

REGLAS DE SEGURIDAD ESPECÍFICAS

acopla, póngase en contacto con un electricista calificado para instalar un tomacorriente apropiado en la pared. No altere de ninguna forma el enchufe del equipo, los tomacorrientes ni los enchufes de los cordones para extensión.

- **Asegúrese de que su cordón para extensión se encuentra en buenas condiciones.** Al utilizar un cordón para extensión, asegúrese de usar uno lo suficientemente grueso como para transmitir la corriente que necesita el producto. Para cordones de extensión de 15 metros (25 pies) o menos de longitud se recomienda usar cordones con calibre de alambre (AWG) 14 por lo menos. Si no está seguro, use el siguiente calibre más grueso. Entre menor el número del calibre, más grueso es el cordón. Los cordones de menor calibre provocan una caída en el voltaje, lo que resulta en una pérdida de energía y en sobrecalentamiento.
- **Revise los cordones de extensión con regularidad y reemplácelos si están dañados.** Mantenga las manijas secas, limpias y libres de aceite y grasa.
- **Nunca dirija el chorro de agua hacia otras personas ni animales o dispositivos eléctricos.**
- **Antes de comenzar cualquier operación de limpieza, cierre las puertas y ventanas.** Quite del área a limpiar los desechos, juguetes, muebles para patios y otros objetos que pudieran crear peligro.
- **No use en este producto ácidos, alcalinos, solventes, materiales inflamables, lejías ni soluciones de grado industrial.** Estos productos pueden provocar lesiones físicas al operador así como daños irreversibles a la máquina.

ADVERTENCIA

Los chorros de alta presión pueden ser peligrosos si se les da mal uso. No se debe dirigir el chorro hacia personas, animales, dispositivos eléctricos ni a la máquina misma.

- **Mantenga el motor alejado de materiales inflamables o peligrosos.**
- **Revise los pernos y las tuercas flojos que fijan la lavadora a presión Shell antes de cada uso.** Los pernos o tuercas sueltos podrían provocar problemas graves en el motor.
- **Antes de almacenarlo, deje que el motor se enfríe.**
- **Al darle servicio use solamente repuestos idénticos.** Usar cualquier otro repuesto podría provocar peligros o crear daños al producto.
- **Use SOLAMENTE agua fría.**
- **Asegúrese de que existe una distancia mínima de 1 m (3 pies) de los materiales combustibles.**
- **Conecte la lavadora a presión solamente a circuitos con ramales individuales.**
- **Sostenga la manija y la vara firmemente con ambas manos.** Esté a la expectativa de que la manija con gatillo se ha de mover debido a las fuerzas de reacción al tirar del gatillo. No esperar lo podría hacer que se pierda el control y provocar lesiones para usted y los demás.
- **Guarde estas instrucciones.** Léalas frecuentemente y úselas para capacitar a los demás usuarios. Si le presta a alguien este producto, préstele también estas instrucciones.

ADVERTENCIA

El polvo creado por la arena a chorro, el aserrado, esmerilado, taladrado y otras actividades de la construcción podría contener productos químicos que se sabe provocan cáncer, defectos de nacimiento y otras lesiones reproductivas. Algunos ejemplos de esos productos químicos son:

- Plomo en pintura a base de plomo
- Sílice cristalina en ladrillos, cemento y otros productos de mampostería
- Arsénico y cromo de madera con tratamiento químico.








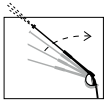


Su riesgo proveniente de la exposición varía, dependiendo de la frecuencia en que efectúe este tipo de trabajo. Para reducir su exposición a esos productos químicos: trabaje en áreas bien ventiladas y use equipo de seguridad aprobado, tal como las máscaras contra el polvo que son especialmente diseñadas para filtrar partículas microscópicas.

ADVERTENCIA

Esta producto contiene sustancias químicas, incluido el plomo, que según tiene conocimiento el Estado de California provoca cáncer, defectos congénitos y otros daños reproductivos. No beba agua de esta manguera. **Lávase las manos después de usarla.**




SÍMBOLOS

Este producto podría contener algunos de los siguientes símbolos. Sírvase estudiarlos y aprender su significado. La interpretación apropiada de esos símbolos le permitirá operar mejor el producto y de una forma más segura.

SÍMBOLO	NOMBRE	DESIGNACIÓN/EXPLICACIÓN
V	Voltios	Voltaje
A	Amperios	Corriente
Hz	Hertz	Frecuencia (ciclos por segundo)
W	Vatios	Potencia eléctrica
no	Velocidad sin carga	Velocidad de giro al no haber carga
	Corriente alterna	Tipo de corriente
.../min	Por minuto	Revoluciones, carreras, velocidad superficial, órbitas, etc. por minuto
	Fabricación Clase II	Fabricación con aislamiento doble
	Alerta de seguridad	Indica la posibilidad de peligro de lesiones personales.
	Lea el manual del operador	Para reducir el riesgo de lesiones el usuario debe leer y comprender el manual del operador antes de usar el producto.
	Protección para los ojos	Use siempre protección para los ojos con cubiertas laterales que indiquen que cumple la norma ANSI Z87.1.
	Alerta de condiciones húmedas	No la exponga a la lluvia ni la use en lugares húmedos o mojados.
	Riesgo de inyección	Para reducir el riesgo de inyección o lesiones, nunca dirija un chorro de agua hacia personas ni animales ni coloque cualquier parte del cuerpo en el camino del chorro. Las mangueras y acoplamientos con fugas también pueden provocar lesiones por inyección. No toque las mangueras ni acoplamientos.
	Culatazos	Cuando la máquina esté encendida, para reducir el riesgo de lesiones por culatazos, sostenga la vara para rocío firmemente con ambas manos.
	Choques eléctricos	Si no se le usa en condiciones secas y no se obedecen las prácticas de seguridad se podrían provocar choques eléctricos.
	Quemaduras por químicos	Para reducir el riesgo de lesiones o daños, NO USE EN ESTE PRODUCTO ÁCIDOS, ALCALINOS, LEJÍA, SOLVENTES, MATERIALES INFLAMABLES, NI SOLUCIONES DE GRADO INDUSTRIAL.

SÍMBOLOS

Los siguientes rótulos y significados se usan para explicar el nivel de riesgo relacionado con este producto.

SÍMBOLO	AVISO	SIGNIFICADO
	PELIGRO	Indica situaciones inminentemente peligrosas que, si no se evitan, resultan en la muerte o en lesiones serias.
	ADVERTENCIA	Indica situaciones potencialmente peligrosas que, si no se evitan, podrían resultar en la muerte o en lesiones serias.
	PRECAUCIÓN	Indica situaciones potencialmente peligrosas que, si no se evitan, podrían resultar en lesiones entre mínimas y moderadas.
	PRECAUCIÓN	(Sin el símbolo de alerta por seguridad) indica una situación que podría resultar en daños a la propiedad.

SERVICIO

Para dar servicio es necesario tener extremo cuidado y conocimiento, el servicio debe ser proporcionado solamente por técnicos de servicio calificados. Remita el producto al **SERVICIO TÉCNICO AUTORIZADO** más cercano para su reparación. Al dar servicio, use solamente repuestos idénticos.

ADVERTENCIA

Para evitar lesiones personales graves, no trate de usar este producto antes de leer completamente el manual del operador y haberlo comprendido en su totalidad. Si no comprende las advertencias y las instrucciones que aparecen en el manual del operador, no use el producto. Llame al departamento de servicio al cliente de GREENWORKS para recibir ayuda.

ADVERTENCIA



Toda herramienta eléctrica al funcionar puede lanzar objetos extraños hacia sus ojos, lo que podría provocarles lesiones graves. Antes de comenzar el funcionamiento de una herramienta eléctrica, use siempre gafas de seguridad o anteojos de seguridad con protecciones laterales y, si es necesario, una careta completa. Recomendamos usar caretas de seguridad con rango visual ancho encima de anteojos, o usar anteojos estándar de seguridad con protecciones laterales. Use siempre protección para los ojos con viñetas que indiquen que cumple ANSI Z87.1.

⚠ ADVERTENCIA

El objetivo del sistema de aislamiento doble es proteger al usuario de los choques que resultan al romperse el aislamiento interno del producto. Para evitar choques eléctricos observe todas las precauciones normales de seguridad.

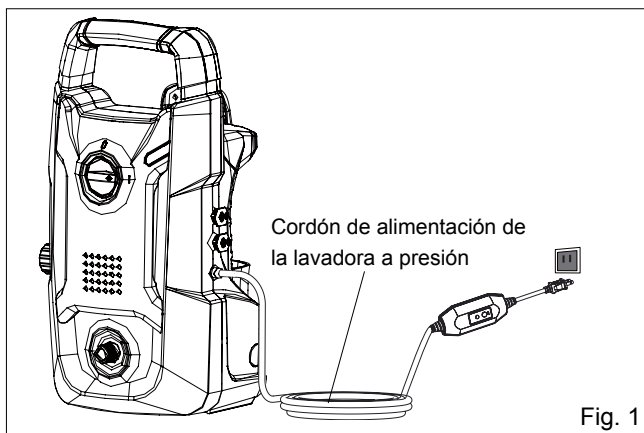
AISLAMIENTO DOBLE

El aislamiento doble es un sistema de seguridad usado en las herramientas eléctricas que elimina la necesidad de usar el acostumbrado cordón de alimentación de tres espigas con conexión a tierra. Todas las piezas metálicas expuestas se encuentran aisladas de los componentes internos de metal del motor mediante aislamiento protector. No es necesario conectar a tierra los productos que cuentan con aislamiento doble.

NOTA: Se necesita un cuidado y conocimiento extremos del sistema para dar servicio a un producto con aislamiento doble, y debe ser efectuado solamente por técnicos de servicio calificados. Sugerimos que para dar servicio al producto lo regrese a su centro de servicio autorizado más cercano para que lo reparen. Al darle servicio, use siempre repuestos idénticos.

CONEXIONES ELÉCTRICAS

Este producto cuenta con un motor eléctrico de construcción precisa. Se le debe conectar a una fuente de alimentación de 120 voltios, CA solamente (la corriente normal en los hogares), 60 Hz. No haga funcionar este producto con corriente directa o continua (CC). Las diferencias de voltaje sustanciales provocarían pérdidas de potencia, y el motor se sobrecalentaría. Si el producto no funciona al enchufarlo en un tomacorriente, revise nuevamente la fuente de alimentación.



INTERRUPTOR DE CIRCUITO POR FALLA A TIERRA

Esta unidad viene equipada con un interruptor de circuito por falla a tierra (GFCI, por sus siglas en inglés), que lo protege contra el peligro de corriente por falla a tierra. Un ejemplo de corriente por falla a tierra es la corriente que fluye a través de una persona que utiliza un electrodoméstico con aislamiento defectuoso y, al mismo tiempo, está en contacto con un elemento conectado a tierra, tal como sistemas de plomería, el suelo mojado o el suelo mismo.

FAMILIARÍCESE CON SU LAVADORA A PRESIÓN

Los enchufes con GFCI no evitan los cortocircuitos, las sobrecargas ni los choques eléctricos.

Para usar con seguridad este producto es necesario comprender la información que se presenta en la herramienta y en el presente manual del operador, así como tener conocimiento del proyecto que se intenta efectuar. Antes de usar este producto, familiarícese con todas las características de funcionamiento y las reglas de seguridad. (Vea la figura 2.)

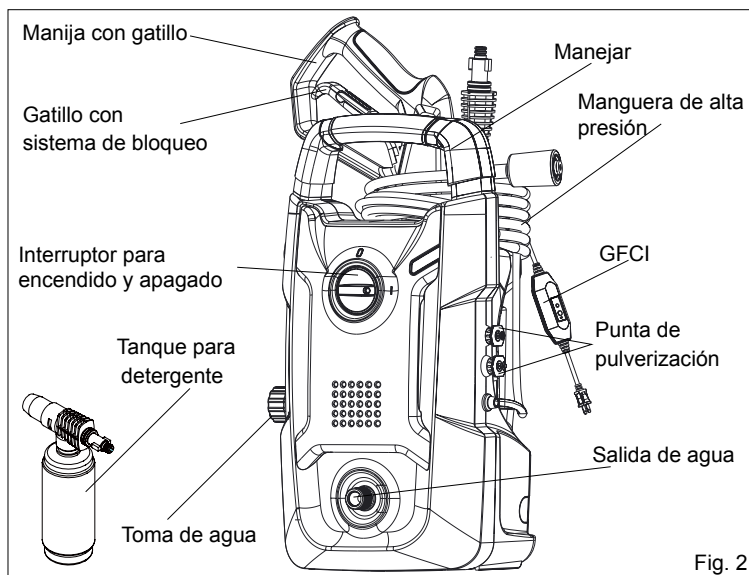


Fig. 2

TANQUE PARA DETERGENTE

Para agregar detergente a la lavadora a presión, quite el tapón del tanque de detergente.

ENCHUFE GFCI

La lavadora a presión está equipada con un enchufe GFCI que la protege contra el peligro de corriente por falla a tierra. El enchufe no protege contra cortocircuitos, sobrecargas ni choques eléctricos.

CARRETE PARA ALMACENAMIENTO DE LA MANGUERA DE ALTA PRESIÓN

Luego de enrollar la manguera de alta presión, cuélguela de la parte superior de la máquina usando la correa de sujeción para mantenerla en su lugar

INTERRUPTOR PARA ENCENDIDO Y APAGADO

Este interruptor enciende y apaga la lavadora a presión.

MANIJA CON GATILLO

La manija con gatillo tiene una empuñadura que proporciona un mayor control de la vara para rocío y ayuda a evitar la fatiga.

GATILLO CON SISTEMA DE BLOQUEO

Al tirar del gatillo se produce un chorro de agua que se usa en la limpieza a alta presión. El bloqueo evita un encendido accidental.

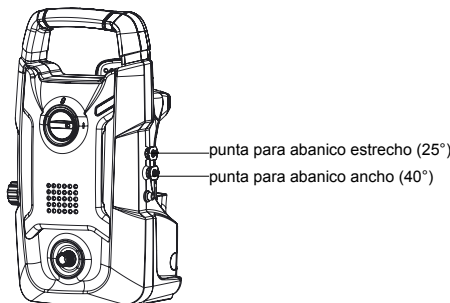
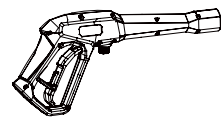





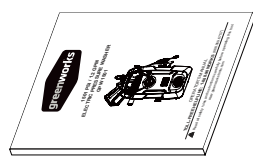
TOMA DE AGUA

Una la manguera de jardín a la toma de agua.

SALIDA DE AGUA

Una la manguera de alta presión a la salida de agua.

LISTADO DE EMBALAJE

DESCRIPCIÓN	PIEZA N°	FIGURA	QTD
<ul style="list-style-type: none"> • Lavadora a presión (incluida la boquilla aspersora) 			1
<ul style="list-style-type: none"> • Manija con gatillo 	312021639		1
<ul style="list-style-type: none"> • Conjunto de la vara 	312011639		1
<ul style="list-style-type: none"> • Lavadora a presión con manguera de alta presión de 7,5 m (25 pies) 	31203670		1
<ul style="list-style-type: none"> • Tanque para detergente 	31111368		1
<ul style="list-style-type: none"> • Limpiador por pulverización 	33201671		1
<ul style="list-style-type: none"> • Guide de démarrage 	388041828		1
<ul style="list-style-type: none"> • Manuel d'instruction 	388031828		1

ENSAMBLAJE

DESEMPAQUETADO

Es necesario ensamblar este producto.

- Saque cuidadosamente el producto y los accesorios de la caja. Asegúrese de encontrar todos los artículos mencionados en el listado de embalaje.

ADVERTENCIA

No use este producto si a la hora de desempaquetarlo cualquiera de las piezas mencionadas en el Listado de Embalaje se encuentra ya ensamblada al producto. Las piezas que se mencionan en esa lista no han sido ensambladas por el fabricante y es necesario que el cliente las ensamble. El uso de un producto que pudiera haber sido ensamblado inadecuadamente podría resultar en lesiones personales graves.

-
- Revise el producto cuidadosamente para asegurarse de que no se quebró o dañó durante el envío.
 - No deseche el material de empaque antes de inspeccionar cuidadosamente el producto y de hacerlo funcionar satisfactoriamente.
 - Si hay alguna pieza dañada o faltante, sírvase llamar al 1-888-909-6757 para recibir ayuda.

ADVERTENCIA

Si falta alguna pieza o está dañada, no opere este producto hasta reemplazar la pieza. Usar este producto con piezas dañadas o faltantes podría resultar en lesiones personales graves.

ADVERTENCIA

No intente modificar este producto ni crear accesorios que no han sido recomendados para ser usados con este producto. Tales alteraciones o modificaciones consisten en mal uso y podrían resultar en condiciones peligrosas con posibles consecuencias de lesiones personales graves.

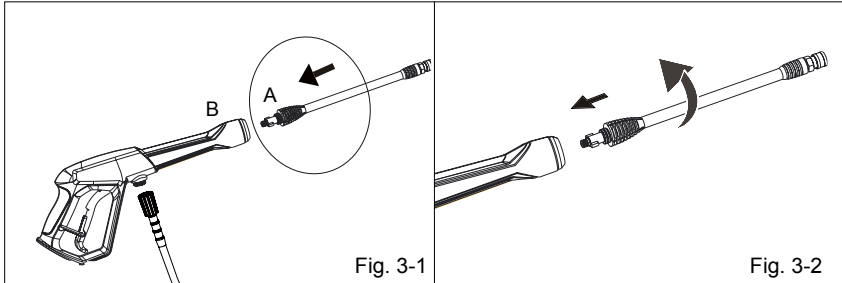
ADVERTENCIA

No conecte la fuente de alimentación hasta haber terminado el ensamblaje. No cumplir estas instrucciones podría provocar arranques accidentales y posibles lesiones personales graves.

ENSAMBLAJE

MONTAJE DEL SOPORTE DE LA PISTOLA

- Introduzca firmemente la punta macho (A) de la varilla en la conexión hembra de la bayoneta (B). (Vea ka figura 3-1.)
- Para desembocadura con gire firmemente garantizar una conexión sin fugas, empuje y la botella en el sentido de las agujas del reloj hasta que las ngüetas se traben en su lugar. (Vea ka figura 3-2.)

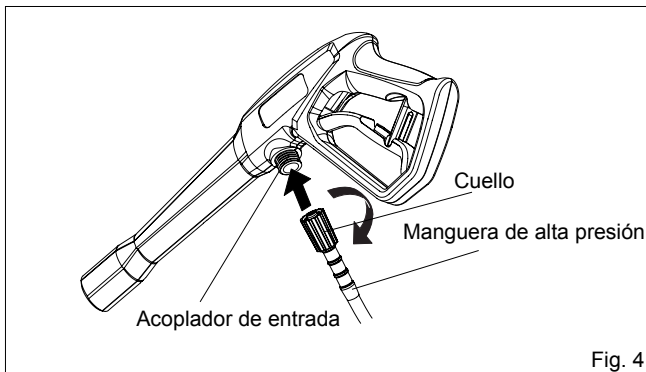


CÓMO CONECTAR LA MANGUERA DEALTA PRESIÓN A LA MANIJA CON GATILLO

(Vea ka figura 4.)

- Conecte la manguera de alta presión a la pistola de la hidrolimpiadora girando el conector en sentido de las agujas del reloj. Asegúrese de que el conector se encuentra bien sujeto a la pistola de la hidrolimpiadora.

NOTA: Para instalar más fácilmente la manguera en el aparato o disparador se recomienda aplicar presión de la hidrolavadora o detergente para vajilla a la junta de goma de cada extremo de la manguera, lo que permitirá una instalación más sencilla y un mejor ajuste.



ENSAMBLAJE

TANQUE PARA DETERGENTE

- Introduzca el extremo macho de la botella en la salida hembra de la empuñadura-gatillo.
(Vea ka figura 5-1.)
- Para garantizar una conexión sin fugas, empuje y gire firmemente la botella en el sentido de las agujas del reloj hasta que las lengüetas se traben en su lugar. (Vea ka figura 5-2.)
- Desenrosque la botella y rellene solo con detergente/jabón para hidrolimpiadoras.

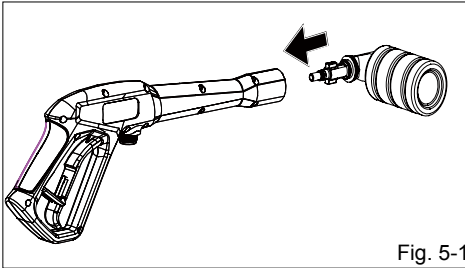


Fig. 5-1

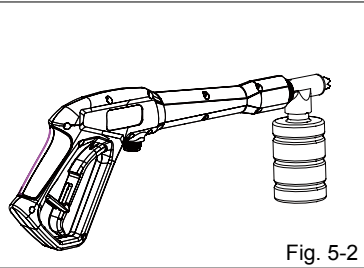


Fig. 5-2

ENSAMBLAJE

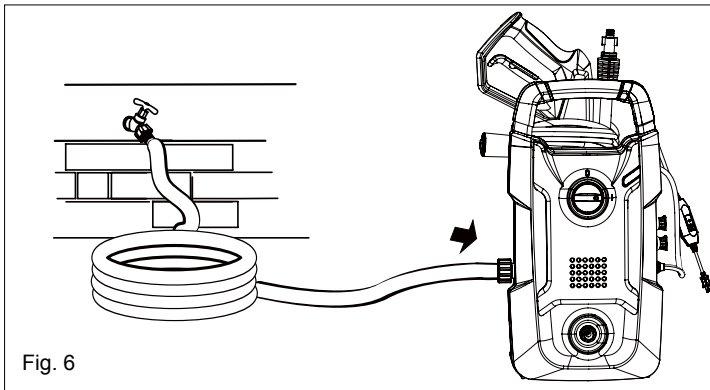
CÓMO CONECTAR LA MANGUERA DE JARDÍN (Vea la figura 6.)

PRECAUCION:

Obedezca siempre los reglamentos locales al conectar mangueras a las tuberías de abastecimiento de agua. Algunas municipalidades imponen restricciones contra la conexión directa al suministro público de agua potable para evitar la retroalimentación de productos químicos. Generalmente es permitida la conexión directa a través de un tanque receptor o protector de contraflujo.

El suministro de agua debe provenir de la tubería de agua principal. NUNCA use agua caliente ni agua proveniente de albercas, lagos, etc. Antes de conectar la manguera de jardín:

- Desenrolle la manguera de jardín.
- Deje salir el agua por la manguera hasta que se forme un flujo constante para eliminar posibles residuos que se encuentren en ella.
- Inspeccione la pantalla de la toma de agua para comprobar si existen daños o acumulación de residuos.
- Si el tamiz está dañado, no use la máquina hasta reemplazarlo.
- Si el tamiz está sucio, límpielo antes de conectar la manguera de jardín a la máquina.
- Manteniendo completamente apagado el grifo de la manguera, conecte el extremo de la manguera de jardín a la entrada de agua. Apriétela con la mano.



⚠ ADVERTENCIA

Antes de encender la unidad, asegúrese siempre que la manguera de jardín está conectada a la unidad y que el grifo está abierto. La bomba se dañaría si no se siguen estos pasos.

FUNCIONAMIENTO

⚠ ADVERTENCIA

No permita que la familiarización con el producto se convierta en descuido. Recuerde que un descuido por una fracción de segundo es suficiente para producir lesiones graves.

⚠ ADVERTENCIA

Nunca dirija el chorro de agua hacia otras personas ni animales o dispositivos eléctricos. No obedecer esta advertencia podría producir lesiones graves.

APLICACIONES

Puede usar este producto para los propósitos listados a continuación:

Limpieza de coches, lanchas, motocicletas, muebles para patios, parrillas y revestimientos de paredes exteriores.

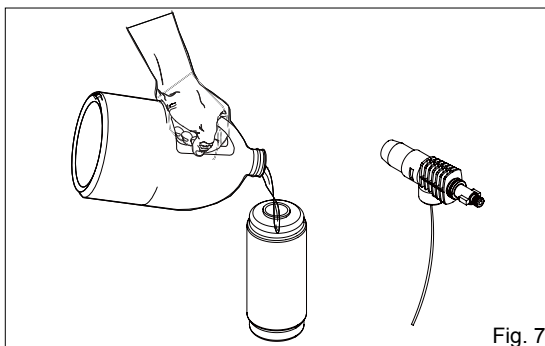
CÓMO AÑADIR DETERGENTE A LA LAVADORA A PRESIÓN (Vea ka figura 7.)

Use solamente detergentes diseñados para lavadoras a presión; los detergentes comunes para el hogar, ácidos, alcalinos, blanqueadores, solventes, materiales inflamables y las soluciones para uso industrial pueden dañar la bomba.

Muchos detergentes podrían requerir ser mezcla-dos antes de su utilización. Prepare la solución para limpieza de acuerdo a las instrucciones en la botella de solución.

- Desenrosque la botella del aplicador de jabón.
- Ponga la botella en el suelo o sobre otra superficie estable.
- Llénela con detergente para lavado a presión.
- Enrosque de nuevo la botella en el aplicador.
- Acople el aplicador de detergente a la empuñadura-gatillo

NOTA: Para evitar derramar accidentalmente detergente fuera del tanque use un embudo, si es necesario. Si se derrama detergente durante el proceso de llenado, asegúrese de limpiar la unidad y secarla antes de continuar.



FUNCIONAMIENTO

CÓMO ARRANCAR Y PARAR LA LAVADORA A PRESIÓN

PRECAUCION:

No haga funcionar la bomba sin que el suministro de agua esté conectado y encendido.

- Conecte la manguera de jardín.
 - Encienda la manguera de jardín y luego apriete el gatillo para aliviar la presión de aire. Suelte el gatillo después de que aparezca un chorro de agua constante.
 - Luego de asegurarse de que el interruptor de apagado y encendido se encuentra en la posición deapagado "0/OFF", conecte la lavadora a presión a la fuente de alimentación.
 - Enchufe la hidrolimpiadora y asegúrese de que la luz del interruptor del circuito de fallos de conexión a tierra (CFCI por sus siglas en inglés) se encuentra encendida. El aparato está listo para su uso.
 - Ponga el interruptor de la hidrolimpiadora en la posición "I/ON" para encender el motor.
 - Para detener el motor, suelte el gatillo y gire el interruptor hasta la posición encendido "0/OFF".
-



ADVERTENCIA

Sostenga la manija con gatillo firmemente con ambas manos. Esté a la expectativa de que la manija con gatillo se ha de mover debido a las fuerzas de reacción al tirar del gatillo. No esperarlo podría hacer que se pierda el control y provocar lesiones para usted y los demás.

NOTA: AUTO ON / OFF: Esta lavadora de presión está equipado con una función Auto Start / función de parada.

Para operar: Gire el interruptor hasta la posición encendido (I). La bomba dejará presionar y cerrar inmediatamente. Once el gatillo de la pistola se presiona la unidad se enciende. Unidad se apagará y estar en modo de espera cuando se suelta el gatillo.

APLICACIÓN

El jabón es aplicado en virtud del volumen de baja presión alta para un rendimiento óptimo. '

El jabón no se puede aplicar a alta presión con esta máquina.

El jabón o detergente solo puede aplicarse en este aparato una vez instalado el depósito para detergente.

FUNCIONAMIENTO

CÓMO USAR EL GATILLO DE LA VARA PARA ROCÍO

Para lograr un mayor control y seguridad, en todo momento sostenga la manija con gatillo con ambas manos.

- Para operar la lavadora a presión, tire del gatillo y manténgalo apretado.
- Para detener el flujo de agua por la punta de pulverización, suelte el gatillo.

REALIZAR EL BLOQUEO: (Vea ka figura 8-1.)

- Presione sobre el lock-out hasta que encaje en el slot. Así se evitará un encendido accidental de la hidrolimpiadora.

DISENGAGE EL LOCK-OUT: (Vea ka figura 8-2.)

- Empuje el bloqueo hacia abajo y en su posición original. Para la limpieza más eficaz, la punta de pulverización debe ser de 8 pulgadas y 24 pulgadas de superficie fromthe a limpiar. Si el aerosol es demasiado puede dañar la superficie a limpiar.

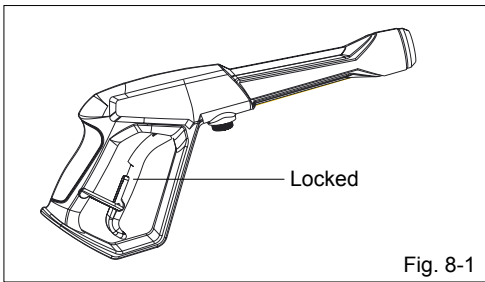


Fig. 8-1

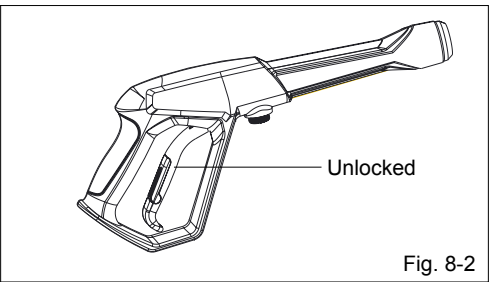


Fig. 8-2

ADVERTENCIA

No deslice el botón de bloqueo cuando presione el gatillo hacia la parte trasera.

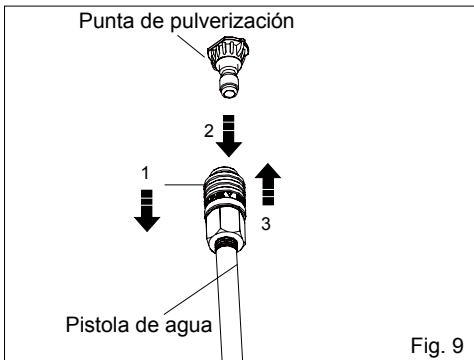
FUNCIONAMIENTO

CAMBIO DE LA PUNTA DE PULVERIZACIÓN (Ver figura 9.)



⚠ ADVERTENCIA

NUNCA cambie las punta de pulverización sin activar primero el bloqueador que se encuentra en la manija con gatillo y NUNCA apunte la vara hacia su cara ni hacia otras personas. El sistema de conexión rápida contiene pequeños resortes que pudieran lanzar la punta de pulverización con cierta fuerza. No atender esta advertencia podría provocar lesiones personales.

- Apague la lavadora a presión y cierre el suministro de agua. Tire del gatillo para eliminar la presión de agua.
- Active el bloqueador que se encuentra en la manija con gatillo presionando hacia la derecha el botón del bloqueador.
- Retraiga el collarín para conexión rápida.
- Coloque la punta de pulverización en la varilla para rocío.
- Presione el collarín hacia adelante a modo de asegurar apropiadamente la punta de pulverización. Compruebe que la punta de pulverización está asegurada.



- 1-Retraiga el collarín para conexión rápida
- 2-Coloque la boquilla
- 3-Presione el collarín hacia adelante

PUNTA DE PULVERIZACIÓN	APLICACIÓN
 25°	<p>Verde: punta para abanico estrecho (25°)</p> <ul style="list-style-type: none"> ■ La punta verde de la lavadora a presión suministra una gran versatilidad con su punta para ángulo de 25 grados. Conocida como la punta para limpieza, debido a que suministra una adecuada presión para eliminar la suciedad en las superficies, pero esta a la vez diseñada para evitar dañar muchas superficies. Se ha diseñado esta punta de la lavadora a presión para “barrer” follaje o desechos ya que cuenta con un amplio ángulo. Esta punta es muy versátil debido a su amplia área de limpieza y su fuerte presión de aplicación.
 40°	<p>Blanca: punta para abanico ancho (40°)</p> <ul style="list-style-type: none"> ■ La punta blanca para 40 grados, conocida como la punta de “abanico”, genera el área más amplia de limpieza a una presión relativamente baja. Esta punta de la lavadora a presión se utiliza de mejor forma al hacer limpiezas leves o delicadas. Se le recomienda para la limpieza leve de cubiertas de madera así como de otras superficies suaves o delicadas.

FUNCIONAMIENTO

CÓMO OPERAR LA LAVADORA A PRESIÓN (Ver figura 10.)

Use solamente detergentes diseñados para lavadoras a presión.

Jabón se aplica bajo volumen de alta presión bajo para un rendimiento óptimo

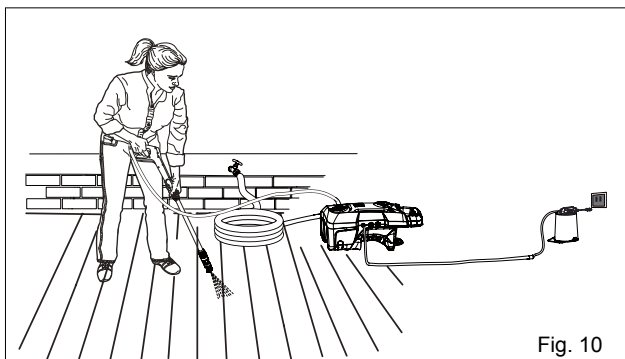
El jabón no se puede aplicar a alta presión con esta máquina

Para limpiar:

- Instale la botella de jabón en el tubo
- Encienda la lavadora a presión y rocíe detergente en la superficie seca usando trazos traslapados, largos y uniformes. Para evitar las manchas, no deje que el detergente se seque en la superficie.

Para enjuagar:

- Utilizando la punta de pulverización que desea limpiar con, rocíe un lugar sin importancia lejos de la superficie a enjuagar por aproximadamente 10 segundos para dejar que el detergente sobrante salga de los conductos.
- Comience en la parte superior del área a enjuagar y dirjase hacia abajo usando trazos traslapados.



CÓMO TRASLADAR LA LAVADORA A PRESIÓN

Para trasladar la lavadora a presión:

- Apague la lavadora a presión. Apunte la punta de pulverización hacia un lugar seguro y tire del gatillo para liberar la presión de agua.
- Desconecte la manguera de alta presión de la palanca de disparo.

MANTENIMIENTO

ADVERTENCIA

Al dar servicio, use solamente repuestos idénticos. Usar cualquier otro repuesto podría provocar peligros o crear daños al producto.

ADVERTENCIA

Antes de inspeccionar, apague el aparato, desenchúfelo, apriete el gatillo para eliminar la presión del agua y desconecte la manguera de alta presión. No seguir estas instrucciones podría resultar en lesiones personales graves o daños a la propiedad.

MANTENIMIENTO GENERAL

Evite usar solventes al limpiar las piezas plásticas. La mayoría de plásticos son susceptibles a daños debido a los distintos tipos de solventes comerciales y se podrían dañar al usar solventes. Use paños limpios al remover suciedad, polvo, aceite, grasa, etc.

ADVERTENCIA

En ningún momento deje que líquido para frenos, gasolina, productos a base de petróleo, aceite para penetración, etc. entre en contacto con las piezas de plástico. Los químicos podrían dañar, debilitar o destruir el plástico resultando en lesiones personales graves.

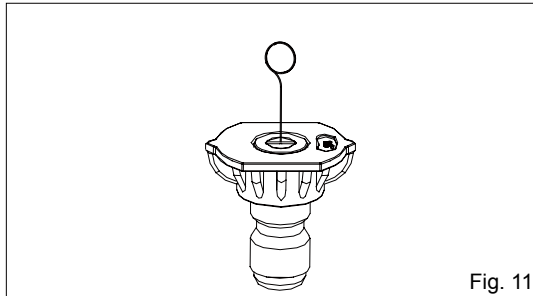
Sólo las piezas que aparecen en la lista de piezas están diseñadas para ser reparadas o reemplazadas por los clientes.

Todas las otras piezas deben ser reemplazadas en un centro de servicio autorizado.

MANTENIMIENTO

MANTENIMIENTO DE LAS BOQUILLAS (Ver figura 11.)

Las boquillas obstruidas o sucias podrían generar excesiva presión de la bomba (una sensación pulsante al apretar el gatillo).



- Desenchufe la lavadora a presión.
- Apague la lavadora a presión y cierre el suministro de agua. Tire del gatillo para eliminar la presión de agua.
- Quite la boquilla de la vara para rocío.

NOTA: Nunca apunte la vara para rocío hacia su cara.

Con la herramienta de limpieza de la boquilla siempre, libre de cualquier material extraño que esté tapando la abertura de la boquilla. Consulte la figura. 11

- Con una manguera de jardín, saque los desechos de la boquilla mediante un enjuague al revés (haciendo correr agua a través de la boquilla en sentido inverso o sea desde afuera hacia adentro).
- Conecte de nuevo la boquilla en la vara para rocío.
- Encienda el suministro de agua.

CÓMO ALMACENAR LA LAVADORA A PRESIÓN

Almacénela en un lugar seco y bajo techo en el que el clima no la pueda dañar.

Es muy importante almacenar este producto en un lugar libre de congelación. Antes de almacenarla, saque siempre el agua de las mangueras, la bomba y los recipientes para detergente.

NOTA: El uso de un protector para bombas permite un mejor desempeño y aumenta la vida útil de la máquina.

MANTENIMIENTO

PROCEDIMIENTO RÁPIDO DE PREPARACIÓN PARA EL INVIERNO

Si no puede efectuar el procedimiento óptimo de preparación para el invierno, aun puede proteger su lavadora a presión de los daños del invierno haciendo lo siguiente:

- Destrabe todas las conexiones de agua.
- Encienda la máquina por unos segundos, hasta que salga toda el agua sobrante en la bomba Apáguela inmediatamente.
- No deje que la manguera de alta presión se retuerza.
- Almacene la máquina y los accesorios en un cuarto que no alcance la temperatura de congelación. No la almacene cerca de calefactores ni otras fuentes de calor ya que se podrían reseca los sellos de la bomba.

PRECAUCION :

Seque toda el agua restante del conjunto de la pistola. Apunte la pistola hacia abajo y presione el gatillo.

CÓMO APAGARLA Y LIMPIARLA

- (Si no está usando detergente, diríjase al Paso 2). Al terminar de usar el sistema de inyección de detergente, llene la botella de detergente con agua limpia. Usando una posición de sifón, saque el agua durante un minuto usando presión baja para eliminar todo el detergente del sistema. Quite la botella de detergente y enjuáguela completamente.
- Desconecte la manguera de jardín de la entrada de agua de la unidad.
- Presione el gatillo para liberar la presión de agua sobrante.
- Lleve el interruptor a la posición de "APAGADO" (0).
- Desenchufe el cordón eléctrico del tomacorriente.
- Active el bloqueador de seguridad de la pistola.

ADVERTENCIA

Apague el suministro de agua y tire del gatillo para eliminar la presión de la unidad. No hacerlo podría resultar en lesiones personales debido a la descarga de agua a alta presión.

SI DESEA TOMAR UN DESCANSO

Si ha de tomar un descanso de cinco minutos o más.

- Active el bloqueador de seguridad de la pistola.
- Lleve la unidad a la posición de "APAGADO" (0).
- Desenchufe el cordón eléctrico del tomacorriente.

IMPORTANTE :

Se recomienda utilizar un protector de bomba al guardar el aparato para prevenir la congelación en los meses de invierno. También contribuye a prevenir que las juntas se sequen mientras permanecen guardadas en cualquier situación climática.

RESOLUCIÓN DE AVERÍAS

PROBLEMA	CAUSAS POSIBLES	SOLUCIONES
El motor no arranca.	El interruptor de encendido y apagado se encuentra en la posición de apagado (O).	Lleve el interruptor a la posición de encendido (I). Apretar el gatillo.
	El cordón de alimentación no está enchufado.	Enchufe el cordón de alimentación.
	El prolongador es demasiado largo. El prolongador no tiene el calibre adecuado. El prolongador está dañado.	Cambie el prolongador por un cable 14 AWG de 7,6 m (25') o por un cable 12 AWG de 15 m (50').
	El tomacorriente no suministra potencia adecuada.	Use un tomacorriente diferente.
	Se ha disparado el cortacircuitos de la lavadora a presión.	Deje que la unidad se enfríe y vuélvala a encender.
La unidad no alcanza la presión alta.	El diámetro de la manguera de jardín es muy pequeño.	Reemplácela por una manguera de jardín de 25 mm (1 pulg.) o de 16 mm (5/8 pulg.)
	Se ha restringido el suministro de agua.	Compruebe que la manguera de jardín no presenta dobleces, fugas o bloqueos.
	No hay suficiente suministro de agua.	Abra completamente el suministro de agua.
	La punta de presión no se ha instalado en el ensamblaje de la lanza.	Una la punta de presión deseada al final de la lanza. Consulte la fig. 9 de la página 18 para obtener más información.
	El filtro en la entrada de agua está obstruido .	Quite el filtro y enjuaguelo con agua tibia.
	La bomba succiona aire.	Compruebe que las mangueras y los acoplamientos son herméticos. Apague la máquina y purgue la bomba tirando del gatillo hasta que de la punta de pulverización salga un flujo constante de agua.
	La botella de detergente o el tubo de succión no están conectados apropiadamente.	Coloque la botella de detergente o el tubo de succión correctamente.
	El detergente es muy espeso.	Diluya el detergente.

RESOLUCIÓN DE AVERÍAS

PROBLEMA	CAUSAS POSIBLES	SOLUCIONES
La unidad no alcanza la presión alta. (continuación)	El filtro del tubo para succión de detergente está obstruido.	Haga pasar agua tibia por el filtro para remover las acumulaciones.
	El tubo para succión de detergente está dañado u obstruido.	Quite la obstrucción o reemplace el tubo para succión de detergente.
	La punta de pulverización de descarga está obstruida.	Blow out or remove debris with a needle or nozzle cleaning tool. Refer to Fig. 11 in this manual.
La presión de salida varía entre alta y baja.	No hay suficiente suministro de agua en la entrada.	Abra el grifo completamente. Compruebe que la manguera de jardín no presenta dobleces, fugas o bloqueos.
	La bomba está succionando aire.	Compruebe que las mangueras y los acoplamientos son herméticos. Apague la máquina y purgue la bomba tirando del gatillo hasta que de la punta de pulverización salga un flujo constante de agua.
	La entrada de agua está obstruida.	Quite el filtro y enjuáguelo con agua tibia.
	La punta de pulverización de descarga está obstruida.	Sople o retire los residuos con la ayuda de una aguja o de la boquilla. Consulte la fig. 11 del manual.
	Calcified gun, hose or power nozzle.	Clean with distilled vinegar or a cleaner specifically made for the task.
Hay fugas en la conexión de la manguera de jardín.	Conexión floja.	Apriete la conexión.
	Arandela de caucho faltante o deteriorada.	Cambiar la hidrolimpiadora.
Hay fugas en la vara para rocío, la extensión o la punta de pulverización.	Aro tórico o inserto de plástico roto.	Llame a la línea de ayuda gratuita.
La bomba hace ruido.	La bomba está succionando aire.	Compruebe que las mangueras y los acoplamientos son herméticos. Apague la máquina y purgue la bomba tirando del gatillo hasta que de la punta de pulverización salga un flujo constante de agua.
	El filtro de agua está obstruido.	Quite el filtro de agua y enjuáguelo con agua tibia.
Hay fugas de agua en la bomba	Acoplamientos flojos	Compruebe que todos los acoplamientos están apretados.
	Los sellos para el agua están dañados o deteriorados.	Llame a la línea de ayuda gratuita.

RESOLUCIÓN DE AVERÍAS

PROBLEMA	CAUSAS POSIBLES	SOLUCIONES
Hay aceite goteando.	Los sellos para el aceite es-tán dañados o deteriorados.	Llame a la línea de ayuda gratuita.
El motor zumba pero no funciona.	El voltaje de alimentación está por debajo del mínimo.	Compruebe que sólo la lavadora a presión está conectada en el circuito.
	El sistema tiene presión residual.	Apague la unidad, tire del gatillo de la vara para rocío para liberar la presión, luego encienda la unidad.
	Pérdida de voltaje debido a cordones de extensión.	Desenchufe los cordones de extensión y enchufe la unidad directamente en el tomacorriente.
	No se ha usado la lavadora a presión por largos períodos.	Llame a la línea de ayuda gratuita.
	Hay fricción residual entre los componentes. La unidad podría zumbar.	Desconecte el suministro de agua y encienda por 2 o 3 segundos, repita el procedimiento un par de veces o hasta que el motor arranque.
No sale agua.	El suministro de agua está apagado.	Encienda el suministro de agua.
	La manguera de jardín está retorcida.	Elimine los retorcijos en la manguera de jardín.

NOTA: AUTO ON / OFF: Esta lavadora de presión está equipado con una función Auto Start / función de parada. Para operar: Presione el interruptor de encendido (I). La bomba dejará presionar y cerrar immediately. Once el gatillo de la pistola se presiona la unidad se enciende. Unidad se apagará y estar en modo de espera cuando se suelta el gatillo.

GARANTÍA



Por este medio y por un período de un año GREENWORKS™ garantiza este producto contra defectos en materiales, piezas o mano de obra al comprador original que cuente con una prueba de compra. GREENWORKS™, a su sola discreción reparará o reemplazará, sin costo alguno para el cliente, cualquier pieza que determine como defectuosa, siempre y cuando se haya hecho uso normal de ella. Esta garantía es válida solamente para unidades utilizadas de manera personal y que no hayan sido utilizadas o alquiladas para uso industrial o comercial, y que hayan recibido mantenimiento de acuerdo a las instrucciones que aparecen en el manual del propietario que se suministró con el producto nuevo.

ARTÍCULOS QUE NO CUBRE LA GARANTÍA:

1. Cualquier pieza que se haya vuelto inoperante debido a mal uso, uso comercial, abuso, descuido, accidente, mantenimiento inapropiado o alteración; o
2. La unidad, si no ha sido operada o si no se le ha dado mantenimiento de acuerdo al manual del propietario; o
3. Desgaste normal, excepto según se indica a continuación;
4. Procesos de mantenimiento rutinario tales como drenar el agua para evitar daños por congelamiento a la bomba y los componentes.
5. Deterioro normal del acabado exterior debido al uso y la exposición al entorno.

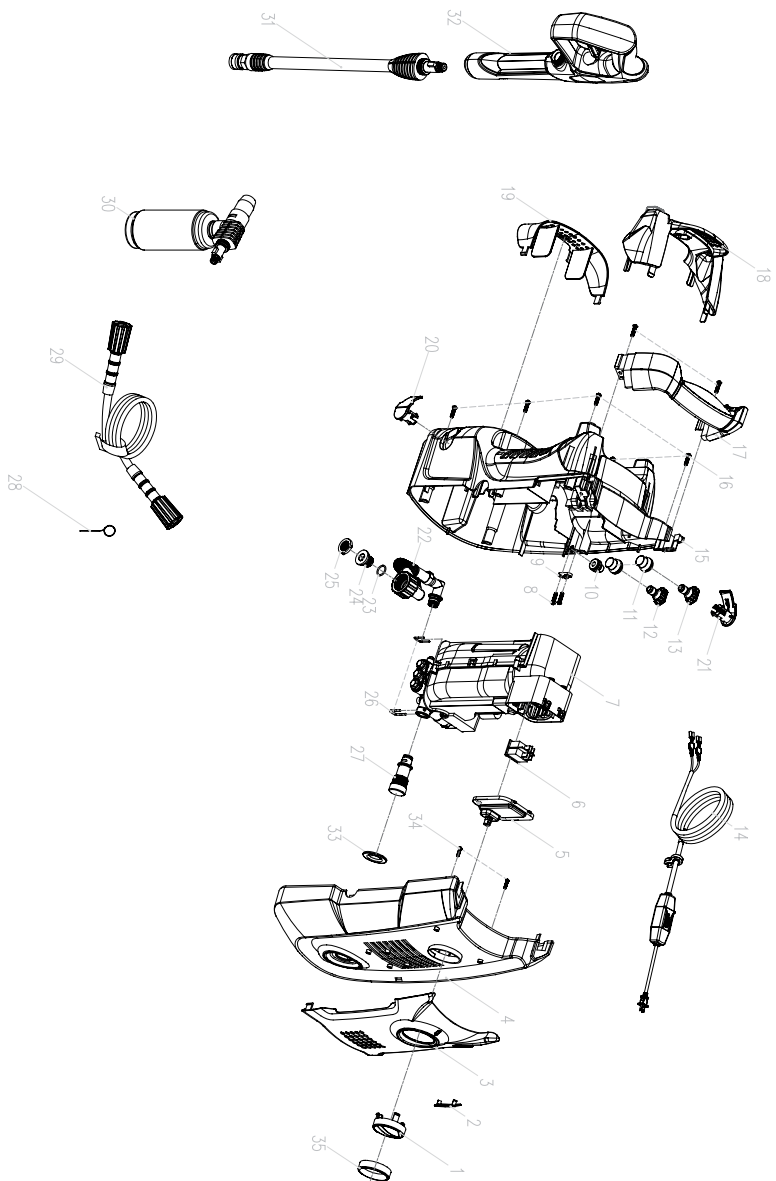
LÍNEA TELEFÓNICA PARA AYUDA DE GREENWORKS (1-888- 90WORKS):

Se puede obtener servicio relacionado con la garantía llamando de **1-888-909-6757 (1-888-90WORKS)**. Apunte la siguiente dirección: solicitar la sustitución de piezas en línea en www.greenworkstools.com

CARGOS DE TRANSPORTE:

Los cargos de transporte por el traslado de cualquier unidad de equipo eléctrico o accesorios son responsabilidad del comprador. El comprador es responsable de pagar los cargos de transporte de cualquier pieza presentada para reemplazo de acuerdo a esta garantía a menos que GREENWORKS solicite por escrito tal retorno.

DIAGRAMA DE COMPONENTES



LISTA DE PIEZAS

ELEMENTO N°	PIEZA N°	DESCRIPCIÓN	QTD
1	341091639	Perilla del interruptor	1
2	341041639	Etiqueta con panel de desempeño	1
3	341031639	Panel frontal	1
4	341011639	Carcasa superior	1
5	311161639	Conjunto para cambio de modo	1
6	363021628	Interruptor de encendido	1
7	311151639	Conjunto de bomba-motor	1
8	32202847	Tornillo ST4.2*15-F	2
9	3410801	Abrazadera del cable	1
10	34222302	Manga del cable de alimentación	1
11	34211319	Ojal de la boquilla	2
12	31225363	Boquilla de 25 grados	1
13	31240363	Boquilla de 40 grados	1
14	311021828	Conjunto del cable de alimentación	1
15	341021639	Carcasa inferior	1
16	32202847	Tornillo ST4.2*15-F	9
17	311041828	Conjunto del mango	1
18	311131639	Conjunto del panel trasero superior	1
19	341061639	Conjunto del panel trasero inferior	1
20	341021828	Rueda izquierda cubierta del agujero del eje	1
21	341031828	Rueda derecha tapa del agujero de eje	1
22	311141639	Conjunto del conector de la entrada de agua	1
23	34213301A	Junta tórica	1
24	33177307	Tuerca de la entrada de agua	1

LISTA DE PIEZAS

ELEMENTO N°	PIEZA N°	DESCRIPCIÓN	QTD
25	31901677	Filtro de la entrada de agua	1
26	33307671	Upin	2
27	311171639	Conector de la salida de agua	1
28	33201671	Limpiador por pulverización	1
29	31203670	Conjunto de la manguera de alta presión	1
30	31111368	Botella de jabón de baja presión	1
31	312011639	Conjunto de la lanza de la pistola	1
32	312021639	Conjunto del mango de la pistola	1
33	349011639	Outlet connector seal gasket	1
34	32210302A	Tornillo ST3.5*12	2
35	342021639	Sello perilla del interruptor	1



LÍNEA TELEFÓNICA GRATIS PARA AYUDA: 1-888-90WORKS (888.909.6757)

Rev: 00 (14-12-09)