

cage assembly instructions

Rabbit Tubby
Model: #526/Carina
#527/Bella

#526 / Carina — Rabbit Tubby (small)
exterior: 23½" L × 14" W × 12¼" H
interior: 22¼" L × 13⅞" W × 12" H
wire gauge: 10 & 12 wire spacing: ⅞"

#527 / Bella — Rabbit Tubby (large)
exterior: 27¼" L × 17⅜" W × 14" H
interior: 26" L × 16¼" W × 13¾" H
wire gauge: 10 & 12 wire spacing: 1"

getting started!

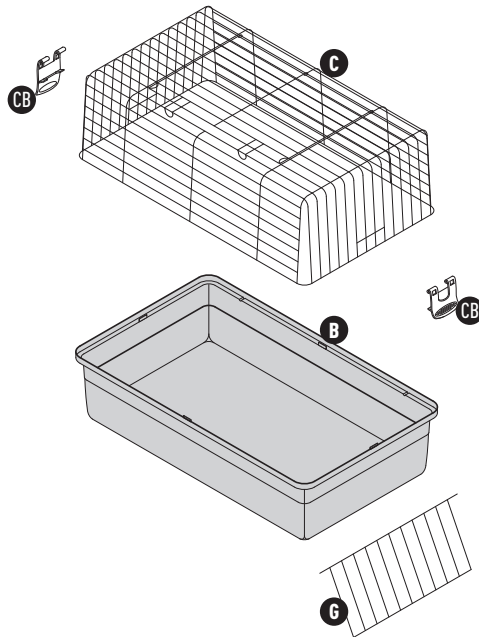
READ THESE NOTES FIRST:

Assembly steps & parts lists are exactly the same for both the #526 (Carina) & #527 (Bella) Rabbit Tubby models. The only differences are in dimensions.

- **Review All Parts:** If parts have been damaged, please contact Prevue Customer Service.
- **Tools:** No tools are necessary for assembly.

Review these instructions thoroughly before assembly. If you still require assistance, please contact Prevue Customer Service at 800.243.3624 or through links online at www.prevuepet.com

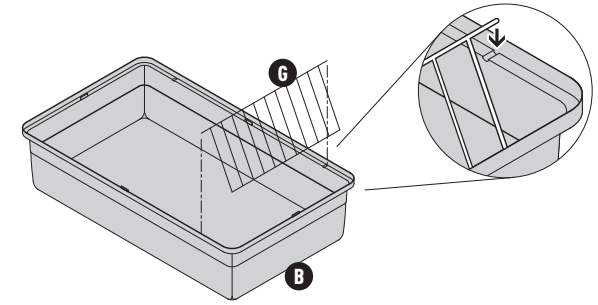
parts



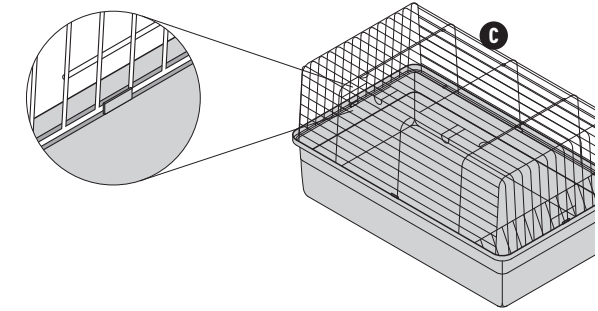
KEY:
C = Cage Body
CB = Cage-to-Base Clips
B = Base
G = Hay Grate

steps

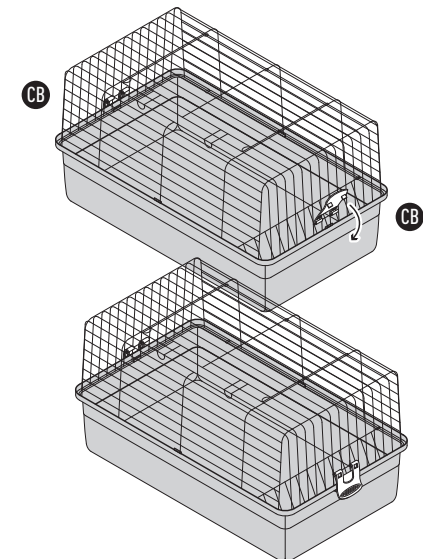
- 1 On both ends of the **base (B)**, there are notches molded into the top ledge. Align the extended wires of the **hay grate (G)** to catch in the notches, and angle the base of the grate into the corner.



- 2 Place the **cage body (C)** onto the base, making sure the cage is positioned on the outside of the four tabs around the top ledge of the base.



- 3 Clip the cage body onto the base with the two **cage clips (CB)**. Locate the short horizontal wires on the sides of the cage body, near the base. Hook the "claw" end of the clip onto the short wire, swing the clip down and snap it onto the base.



★ Your tubby is now fully assembled!