

cage assembly instructions

Parakeet House
Model: # 41614

cage: 16¼"L × 14¼"W × 24"H
interior: 15½"L × 13½"W × 21½"H
wire gauge: 14 & 17
wire spacing: ½"

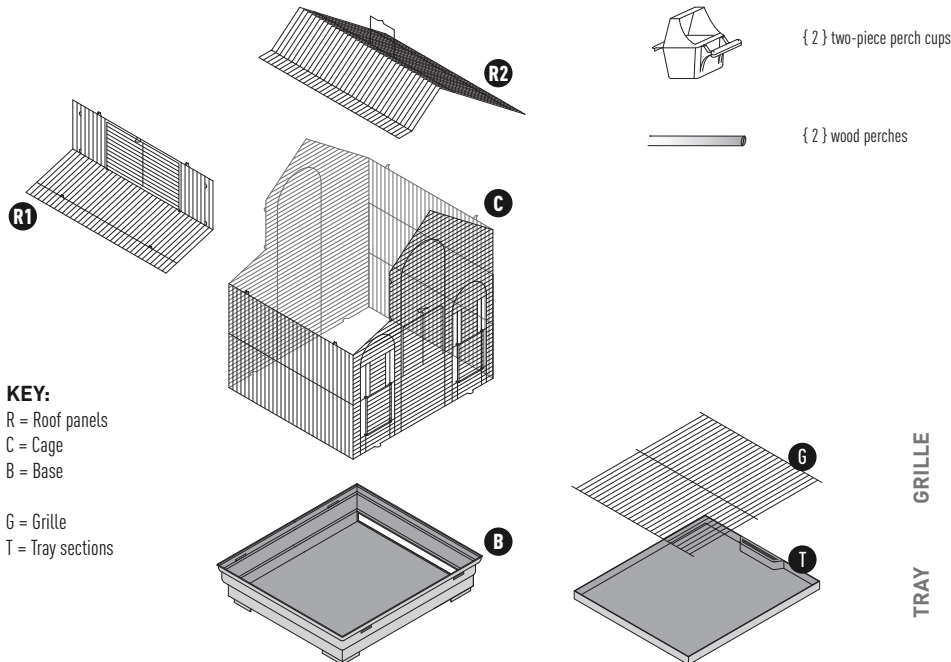
getting started!

READ THESE NOTES FIRST:

- **Review All Parts:** If parts have been damaged, please contact Prevue Customer Service.
- **Tools:** No tools are necessary for the assembly of this cage.

Review these instructions thoroughly before assembling the cage. If you still require assistance, please contact Prevue Customer Service at 800.243.3624 or through links online at prevuepet.com

parts

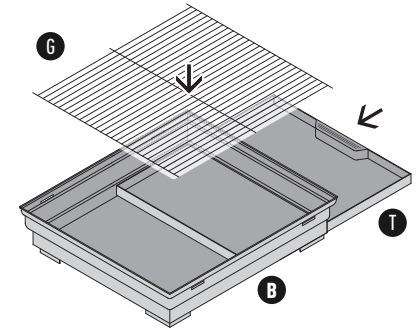


steps

1 Assemble the base:

Place the grille (G) into the base.

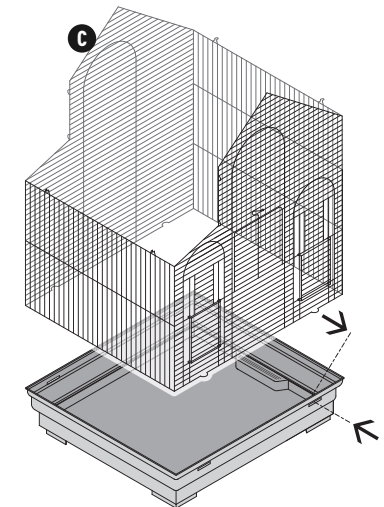
Slide the tray (T) into the opening on the right side of the base.



2 Assemble the body of the cage:

Unflatten the cage (C) body, opening the one-piece mesh until it forms a rectangle.

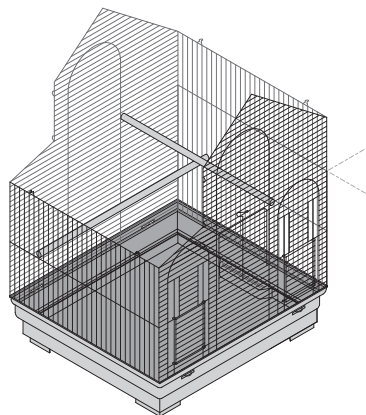
Set the cage body into the base. Catch the cage wire loops (along the bottom edge) into the slots on the cage base. There are two along the front and two along the back — one example is shown in detail.



3 Install the main perches:

To give the ladder on the play perch unit a place to rest, we suggest installing the **top perch** from front to back. Trace the first horizontal wire (down from the right side top) across to the front of the cage, and install the perch on a bar between the two doors, at that height.

The **lower perch** may be installed from side to side, aligned on the lower horizontal wire.

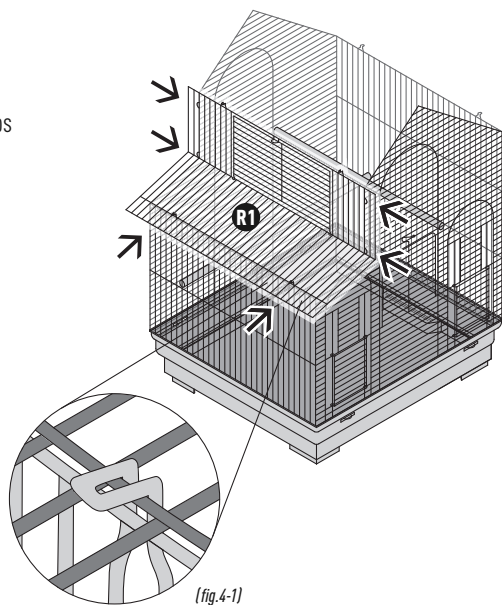


4 Assemble the left side roof:

Center the **left side roof (R1)** panel on the cage body.

First, hook the inner horizontal wire (at the lower end of the roof panel) into the wire loops as indicated in the detail (*fig.4-1*).

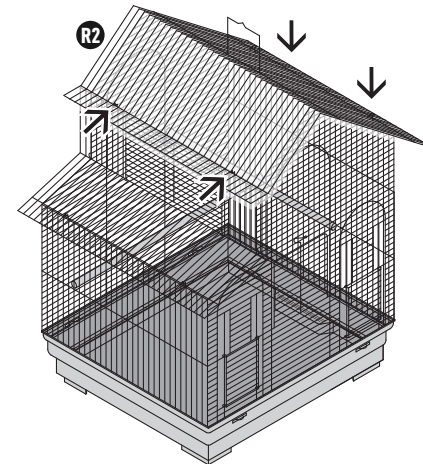
Hook the inner vertical wires (at the top side ends) into the wire loops on the cage body (two at the front; two at the back).



5 Assemble the main roof:

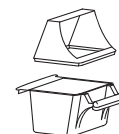
Center the **main roof (R2)** panel on the cage body.

Hook the inner horizontal wires of the main roof into the four wire loops as indicated in illustration. (Two on right side cage body; two on left side roof panel.)



6 Install the hooded food/water perch cups:

Assemble the **two-piece cups**. The opening in the hooded top faces the perch. Snap the top into the base. (Cups can be disassembled for cleaning.)



Lift up the sliding door on the cage with the perch/opening facing the inside of the cage, and set the cup into place.

☆ Your cage is now fully assembled!

