

cage assembly instructions

Small Round Bird Cage
Model: # 31999

cage: 16" diam. (with cups) x 24"H (to top of finial)
interior: 13" diam. x 19½"H
wire gauge: 11 & 13
wire spacing: ½"

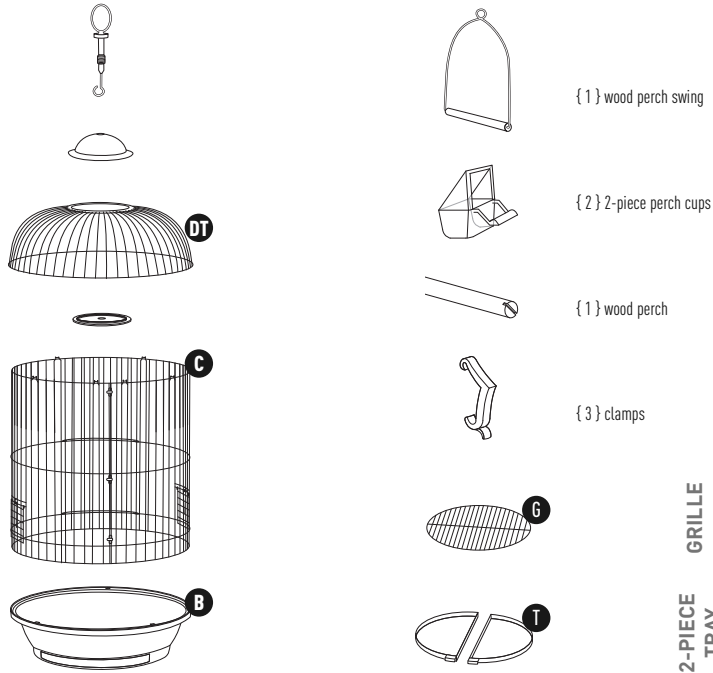
getting started!

READ THESE NOTES FIRST:

- **Review All Parts:** If parts have been damaged, please contact Prevue Customer Service.
- **Tools:** No tools are necessary for the assembly of this cage.

Review these instructions thoroughly before attempting to assemble cage. If you still require assistance, please contact Prevue Customer Service at 800.243.3624 or through links online at prevuepet.com

parts



steps

1 Assemble the dome top unit:

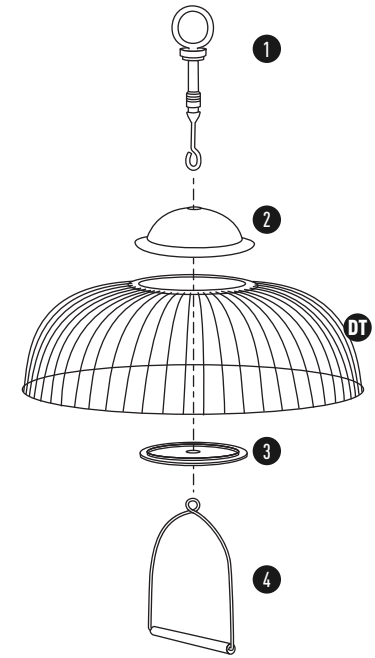
Slide the small plastic **dome cap** (2) onto the shaft of the **hanger finial** (1).

→ The **threaded disk** (3) has a raised ridge on the top surface that sets into the hole of the **dome top** (DT). The underside of the disk has three raised ridges in the center for gripping/turning.

From the underside, set the **threaded disk** (3) into place in the **dome top** (DT) opening. Holding the disk in place, lower the cap/finial (2)/(1) combo through the center hole in the threaded disk. Screw the finial into the disk for a snug fit. DO NOT OVERTIGHTEN.

Hang the **swing** (4) on the hook at the bottom of the finial shaft.

Set assembled dome top unit aside.

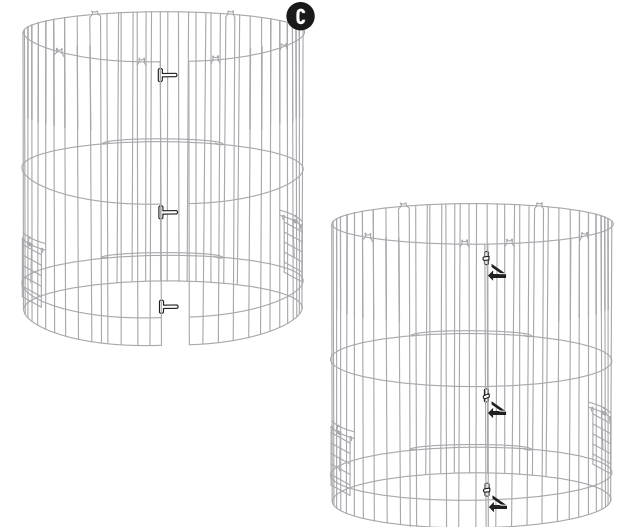


2 Assemble the body of the cage:

→ Soft metal tabs are welded to the inside vertical wire of the left edge seam.

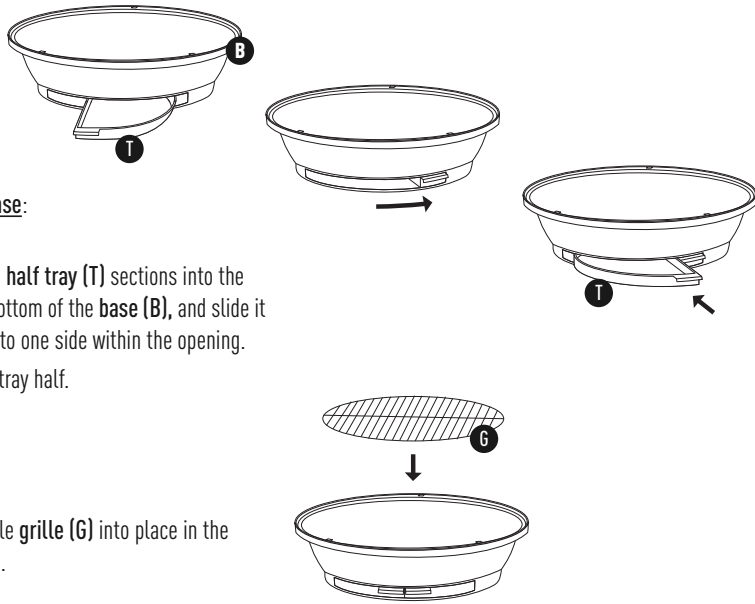
Bring the seams of the **cage** (C) body together to complete the circle. Bend the tabs around the right vertical seam wire to link the seams together.

Set assembled cage body aside.



3 Assemble the base:

Insert one of the **half tray (T)** sections into the opening at the bottom of the **base (B)**, and slide it all the way over to one side within the opening. Insert the other tray half.

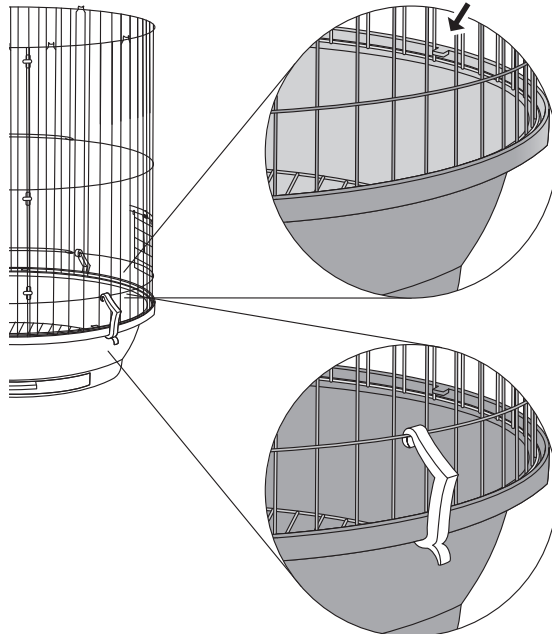


Set the removable **grille (G)** into place in the bowl of the base.

4 Attach the cage body to the base:

→ Three plastic tabs protrude from the upper rim of the base to the interior bowl. Catch the bottom rim wire of the cage body underneath each of the three tabs. (see top detail)

Secure the cage body to the base with the three **white plastic clamps**, spread equidistant around the cage rim. Hook the top of the clamp to the horizontal cage wire; hook the bottom of the clamp under the rim of the base.



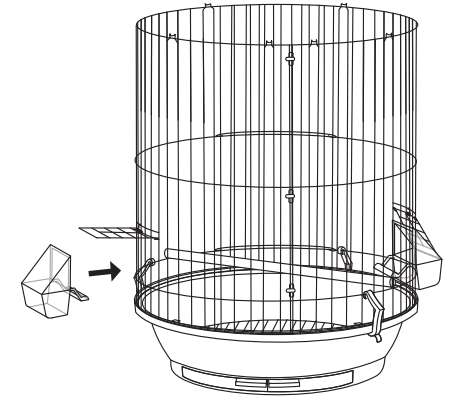
5 Insert the perch.

Insert the **food/water perch cups**:

→ **Caution:** Spring-hinged doors hold the perch cups in place. Be careful not let the door snap onto fingers or cups when opening or closing.

With a firm grip, open the spring-hinged door with one hand, and place the perch cup into place with the other. Hook the perch arm of the cup over the horizontal cage wire. Close the spring-hinged door gently — do not let the door snap shut onto the perch cup.

The clear plastic food/water perch cups disassemble into two pieces for easy cleaning.



6 Attach the dome top:

→ There are 6 looped wire tabs around the top rim of the cage body (two near the cage body seam, and four others, spread equidistant around the rim).

To secure the **dome top** to the cage body, catch the rim wire of the dome top under the loop tabs in all six areas.

★ Your cage is now fully assembled!

