

cage assembly instructions

Medium Hamster Haven
Model: #2004

cage: 17¾"L × 11¾"W × 17¾"H
interior: 16¼"L × 10¼"W × 17"H

getting started!

READ THESE NOTES FIRST:

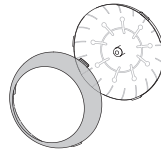
This is a very simple cage to assemble. Just check to make sure no parts have been damaged during shipment, and then have fun assembling your new Hamster Haven.

Review these instructions thoroughly before attempting to assemble cage. If you still require assistance, please contact Prevue Customer Service at 800.243.3624 or through links online at prevuepet.com

parts



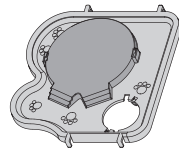
Roof is hinged at the center seam. The side with the extended tabs can be opened to allow access to the full cage interior.



{ 1 } Two-piece exercise wheel with quiet, non-squeak metal bearings
[NOTE: Exercise wheel & axle are NOT designed to be disassembled]



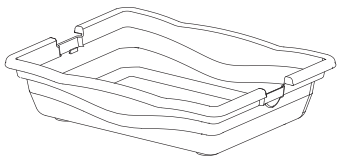
{ 1 } hideaway dome



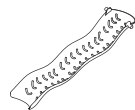
{ 2 } platforms



{ 2 } clips



base



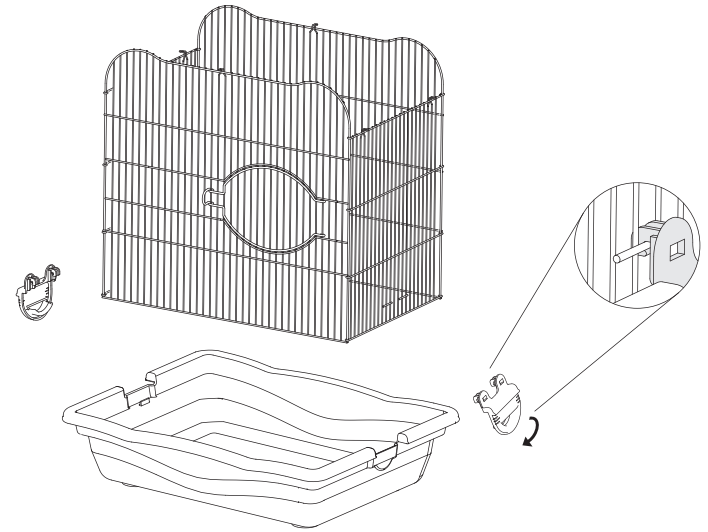
{ 2 } ramps

steps

1

Open single-piece **cage body** until it forms a rectangle. Set the cage body into the **base**.

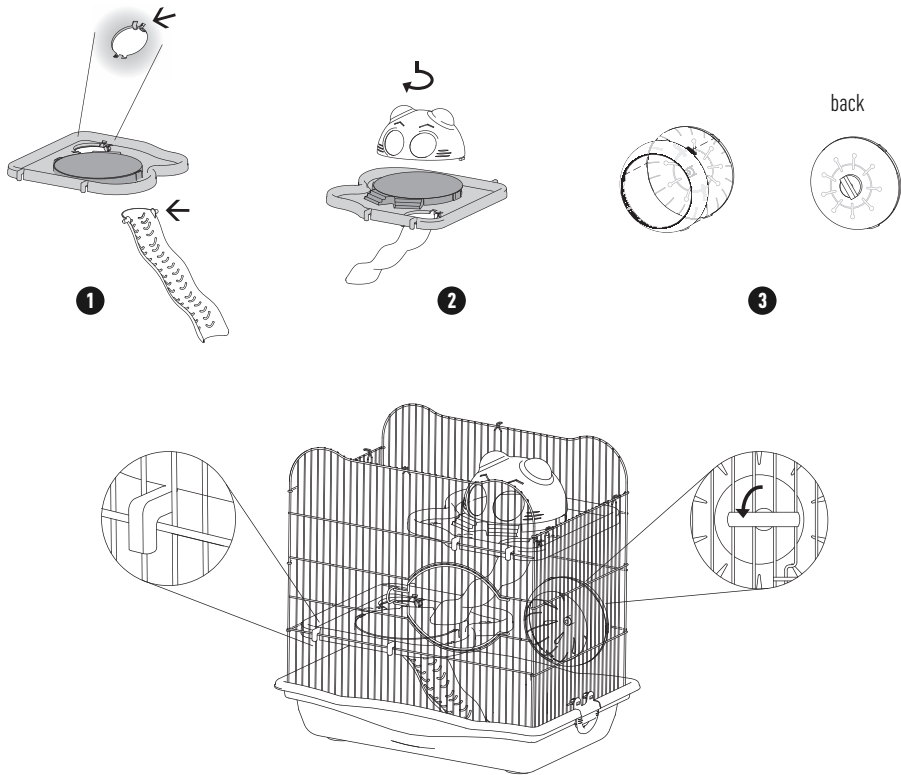
Attach the cage body to the base by hooking the **clips** onto the short horizontal wires on the cage sides (see detail), then rotating the clip down until it clicks into place on the base.



2

1. Install the lower platform: First, install **ramp** into platform by inserting ramp from the bottom and twisting into indents in the platform opening (see detail). Position **lower platform** along left side of cage on first horizontal wire up from the base.

2. Install the upper platform: First, add **ramp** to platform (see Step 2.2). Second, add **hideaway dome** by aligning tabs on dome with openings in platform. Twist dome to lock tabs into place. Position **upper platform** along right side of cage, on third horizontal wire up from base. Ramp from upper platform should rest on surface of lower platform.



3. Install the exercise wheel: Attach the cover of the **exercise wheel** onto its back by aligning cover (tabs) with back (slots), and snapping together. On the back of the wheel is a handle. Position the wheel inside the cage near the base, align the handle vertically and pass it through the cage wires. Once the handle is outside the mesh, give it a 90° turn to secure the wheel in place.

3

To attach the **roof**, center it on the cage body, and catch outer-edge wires onto hooks along the cage body's upper rim (see details). Start with the center hooks first, then work on one end at a time to finish.

☆ **Your Hamster Haven is now fully assembled!**

*

CLEANING INSTRUCTIONS

Prolong the life of your Prevue cage with these recommendations:

- When cleaning the cage and parts, use a soft cloth or Teflon-resistant scrubber (such as Prevue's **Cage Saver** non-abrasive scrub pad (#109)).
- Wash all parts with warm water and a mild environmentally-friendly, pet-friendly soap and rinse thoroughly.
- Hand dry all parts completely with a soft dry cotton cloth before reassembling the cage. Do not leave plastic parts to dry in the sun, as they may warp.

