

Parakeet Home

read first REVIEW BEFORE ASSEMBLY

Model: # 98001 / 22006Y

Instructions online at www.prevuepet.com

- No tools are required for assembly
- For best results, follow the Steps in the order they are presented

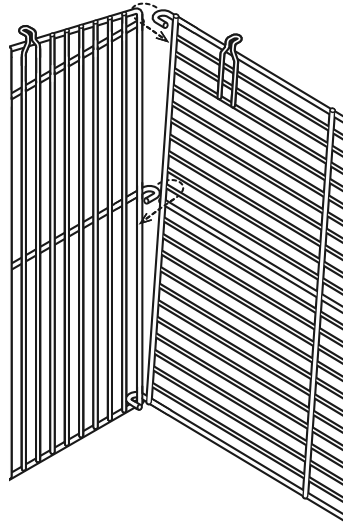
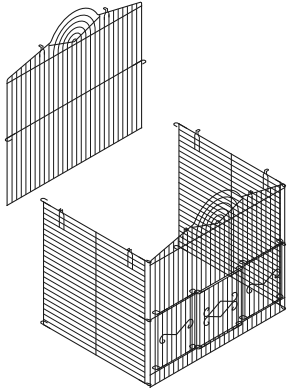
For assistance or replacement parts, please contact Prevue Pet Products:

PHONE 312.243.3624

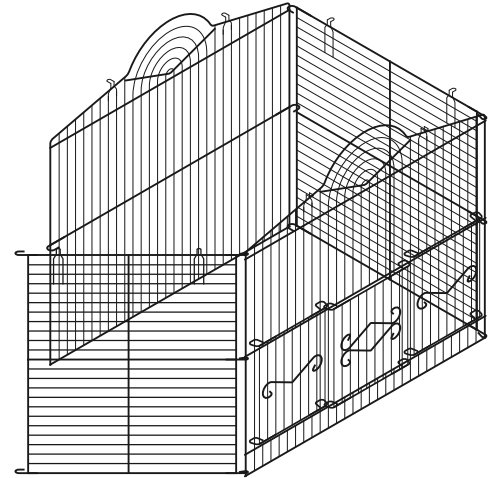
ONLINE www.prevuepet.com

EMAIL customerservice@prevuepet.com

1 To assemble the **CAGE BODY**, you will need these pieces:

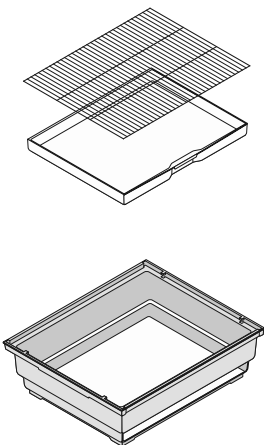


Attach the back panel to the three-panel unit:
Start in the lower corner. Hook the right-side panel to the back panel, then weave the alternating hooked wires of the two panels together, up the seam, to the top.

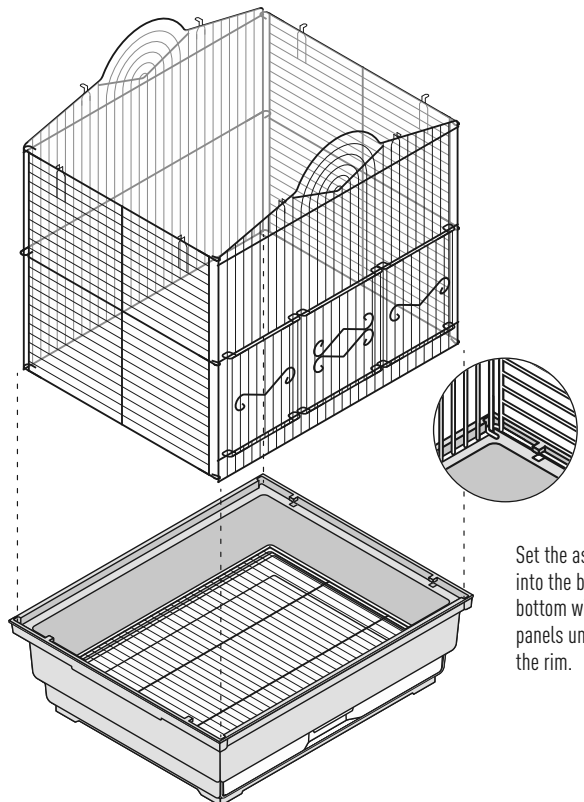
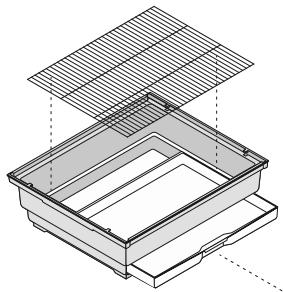


Repeat the method with the opposite seam (left-side panel to back panel).

2 To add the mesh body to the **BASE**, you will need these pieces:

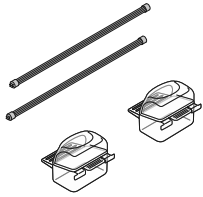


Set the grille into the base.
Push the tray into the base.

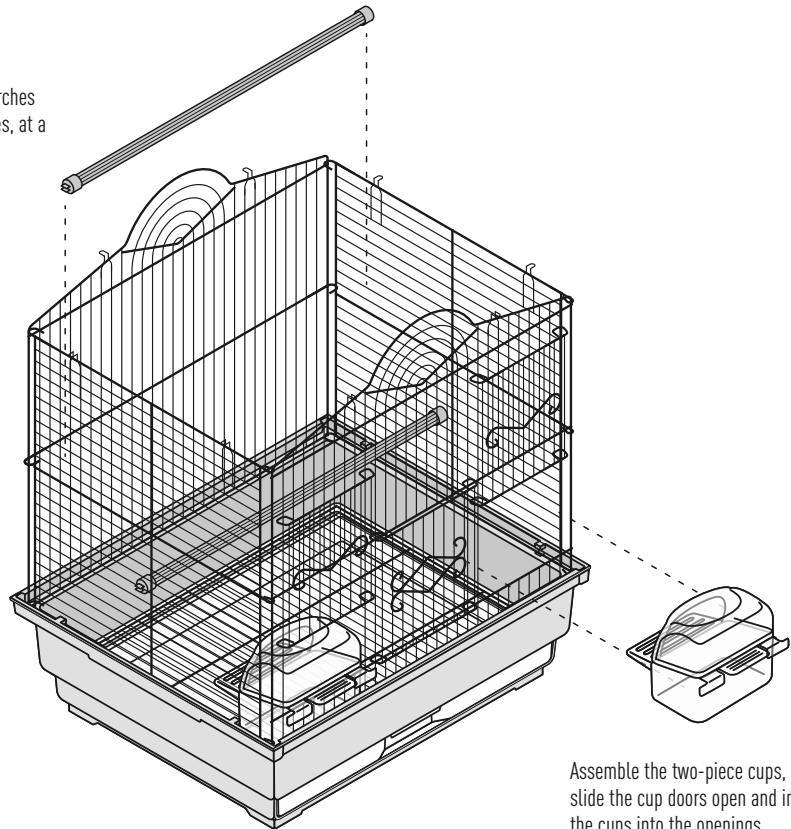


Set the assembled mesh into the base, catching the bottom wire of the side panels under the tabs along the rim.

3 To add the **ACCESSORIES**, you will need these pieces:

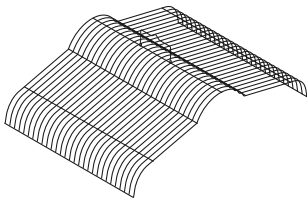


Insert the two perches on horizontal wires, at a level height.



Assemble the two-piece cups, slide the cup doors open and insert the cups into the openings.

4 To add the **ROOF**, you will need this piece:



Start at the side.
Center the roof on the cage. Catch the second wire of the roof on the side panel. Softly bend the roof mesh to catch the roof line onto the front and back panel loops.
Finish by catching the roof onto the opposite side panel loops.

