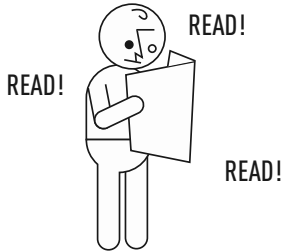


Follow this flight path

1

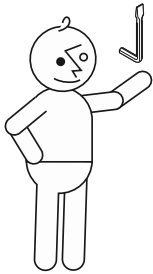


READ THESE INSTRUCTIONS!

Follow the enclosed Assembly Steps for a successful outcome. If you still have questions, we're here to help. Please contact our Prevue Customer Service team via email at :

customerservice@prevuepet.com

2



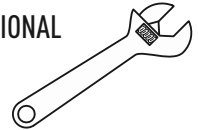
HELPFUL TOOLS

A dual hex key/screwdriver tool is included. You may find a small **adjustable wrench** useful when assembling the playtop U-bar and seed guards.

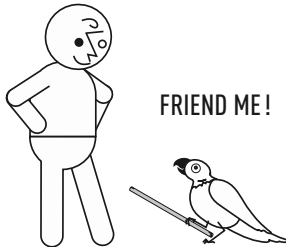
INCLUDED



OPTIONAL



3

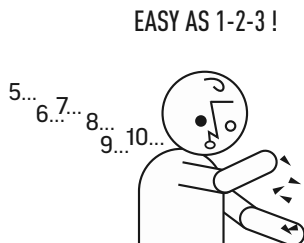


FIND A FRIEND

A second person's assistance is a necessity during assembly of this cage. Look for this symbol throughout the instructions for the times when your friend's assistance is most needed:



4



REVIEW ALL PARTS & HARDWARE

After unpacking all components, review all parts and hardware and compare the items against the Parts List.

Please contact Prevue if any problems or issues arise.

5



CARE FOR BIRDS

CAGE PLACEMENT

Place the cage away from drafts and drafty areas and away from harsh or direct sun. Keep the cage away from strong fumes and odors.

ACTIVITY TOYS

Activity toys are vital for maintaining a bird's mental and physical well-being. Select a variety of toys to meet different instinctual activities— foraging & engagement, preening & pacification, physical & mental, and sound & movement.

Regularly rotate new and familiar toys through the cage. Do not overcrowd the cage environment. Periodically supervise birds at play and inspect toys for replacement or replenishment.

Prevue offers a wide range of activity toys in all shapes, textures and colors for birds of all sizes.

ACCESSORIES

Add or upgrade accessories to promote well-being:

- add variable-shape perches for foot health
- use cage covers to quiet and calm birds at night
- add cuttlebones and mineral blocks for beak and nail grooming

More ideas and useful accessories for birds and their cage environment can be found at www.prevuepet.com.

TRAVEL CARRIERS

Always keep an appropriate-size travel carrier on hand for emergencies, travel or for temporary housing when cleaning the cage. Prevue has several carrier options available— from softcase to steel.

PREVUE PET PRODUCTS

PHONE 1 (312) 243-3624

ONLINE www.prevuepet.com

EMAIL customerservice@prevuepet.com

These instructions are online at www.prevuepet.com.

For more wonderful cages, toys,
and accessories for birds, chickens,
cats, rabbits, ferrets, dogs and small
animals, visit www.prevuepet.com





Deluxe Parrot Cage w/Playtop PARTS LIST

Instructions online at www.prevuepet.com

CUSTOMER SUPPORT

For assistance or replacement parts, please contact Prevue Pet Products:

PHONE 1 (312) 243-3624

ONLINE www.prevuepet.com

EMAIL customerservice@prevuepet.com

KEY:

D = Dome Top

L = Left Side Panel

F = Front Panel

R = Right Side Panel

B = Back Panel

G = Grille

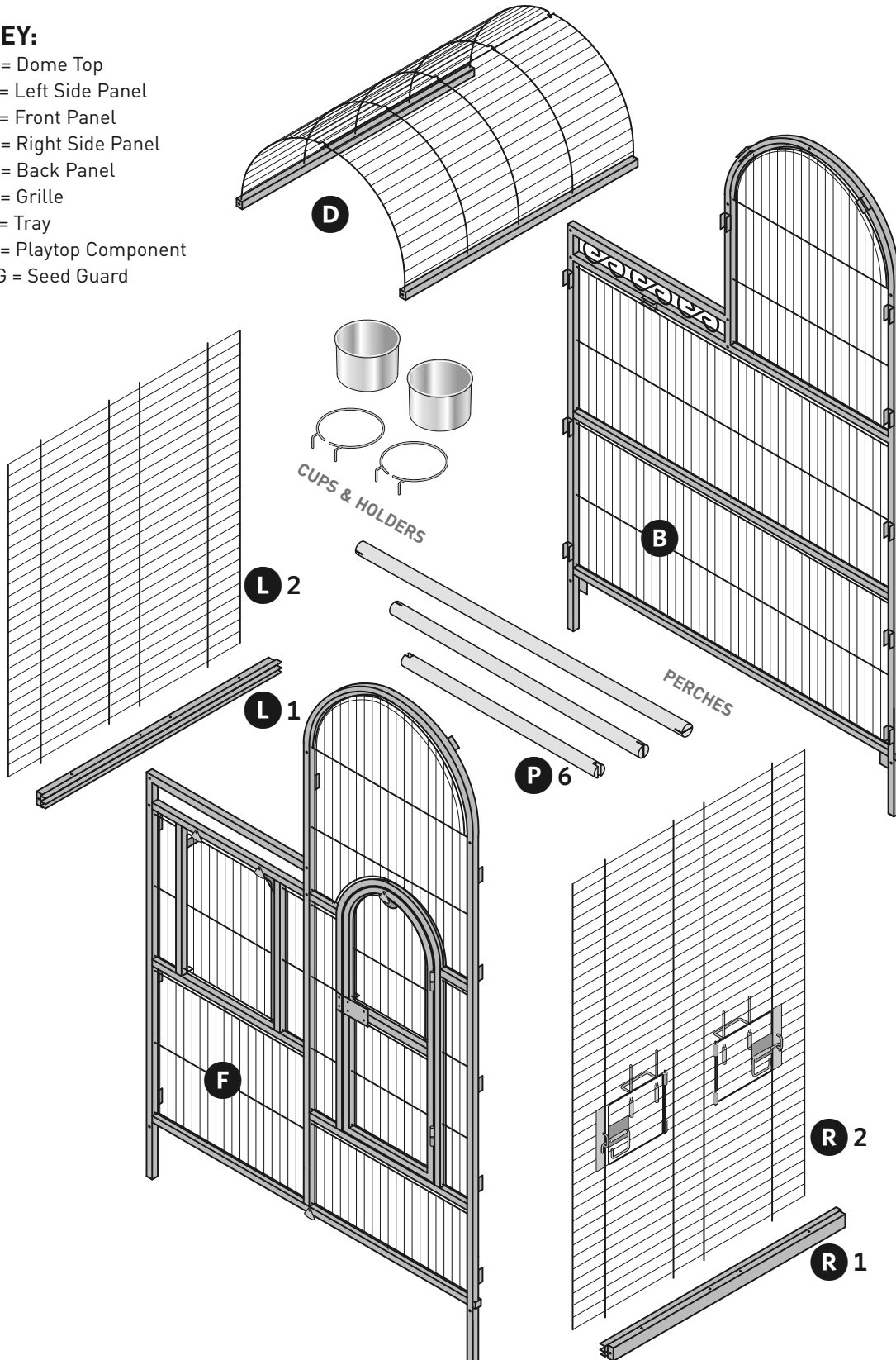
T = Tray

P = Playtop Component

SG = Seed Guard

PLEASE NOTE :
These pieces are interchangeable

L 1 = R 1
SG 2 = SG 4



TOOLS:

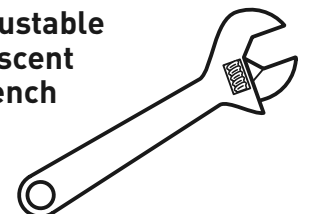
(included)

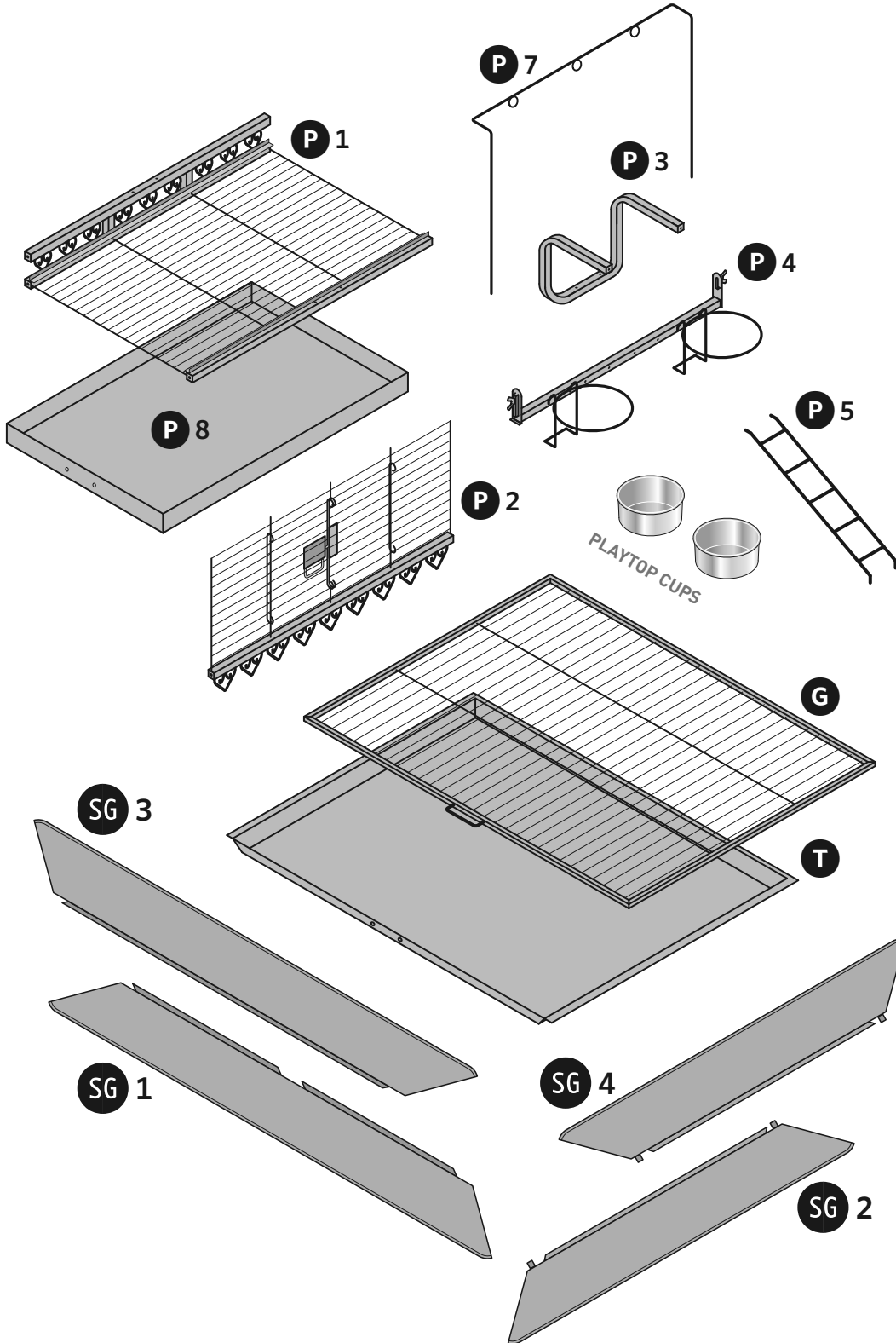
Hex Key/Screwdriver



(optional / not included)

Adjustable
crescent
wrench





HARDWARE INCLUDED:

 **Long Screw**
18 pcs

 **Long Screw + acorn cap nut**
2 pair

 **Short Screw + acorn cap nut**
8 pair

 **Drawer Handle + mounting screws/washers**
2 sets

 **Door Lock + mounting screws**
1 set (6 screws)

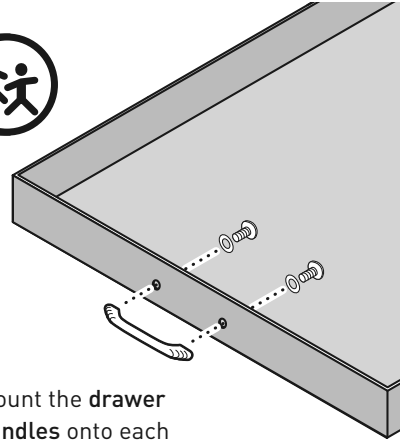
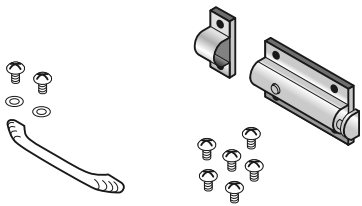
 **Casters**
4 pcs

For best results, follow the Assembly Steps in the order presented.

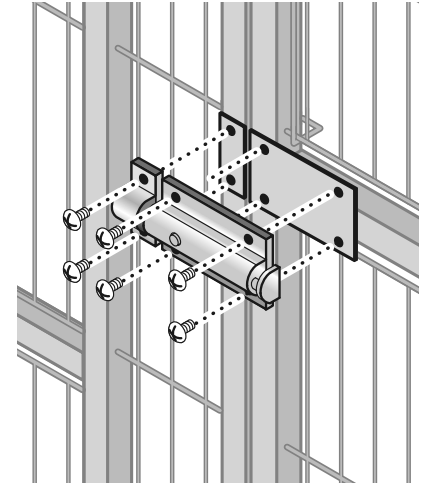
* We recommend two people assemble this cage.



PRE-ASSEMBLE



Mount the **drawer handles** onto each of the two trays.



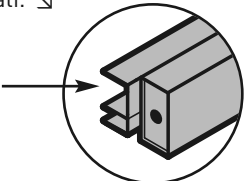
Mount the **door lock** onto the front panel.

- KEY:**
- D = Dome Top
 - L = Left Side Panel
 - F = Front Panel
 - R = Right Side Panel
 - B = Back Panel
 - G = Grille
 - T = Tray
 - P = Playtop Component
 - SG = Seed Guard

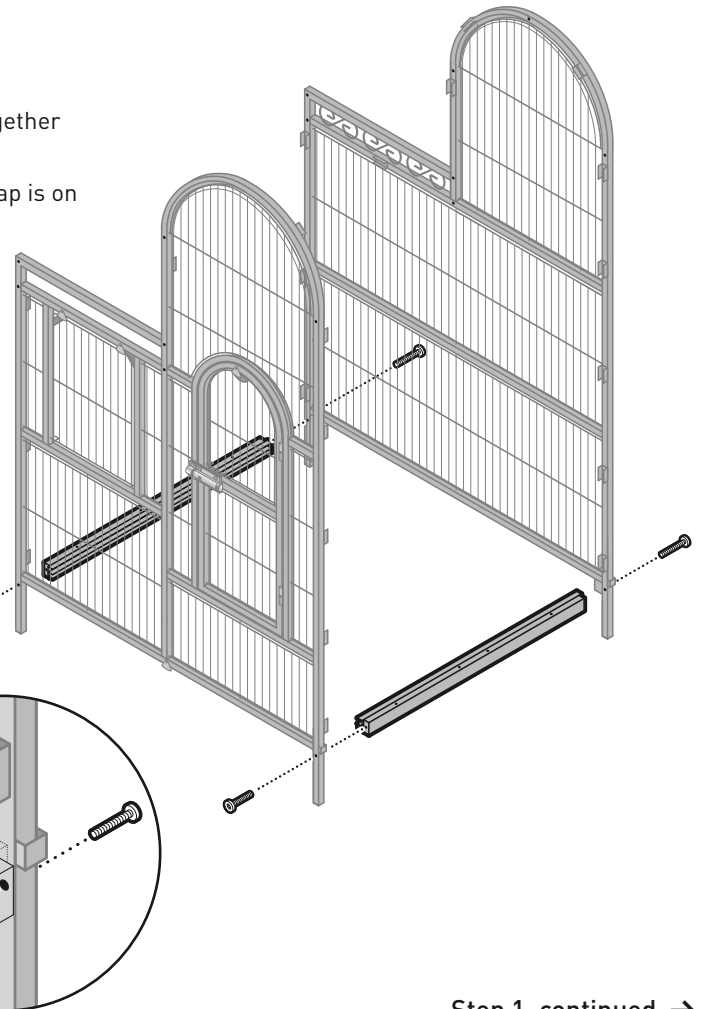


Attach the front and back panel together with the **grille/tray frame rails**.
Orient the rail so the wider track gap is on the top half. ↘

NOTE:
Wider gap (for the grille) is on top.

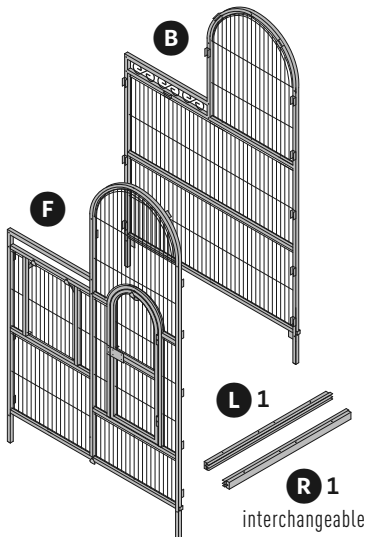


With help holding panels upright, or by laying panels on their sides, attach the frame rails with long screws.
The slight extension of the track rails tucks under the crossbar rail on both front and back panels. ↘



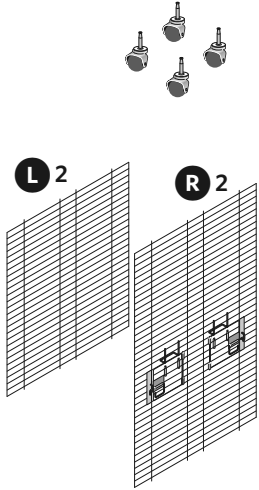
1 PIECES

[4]

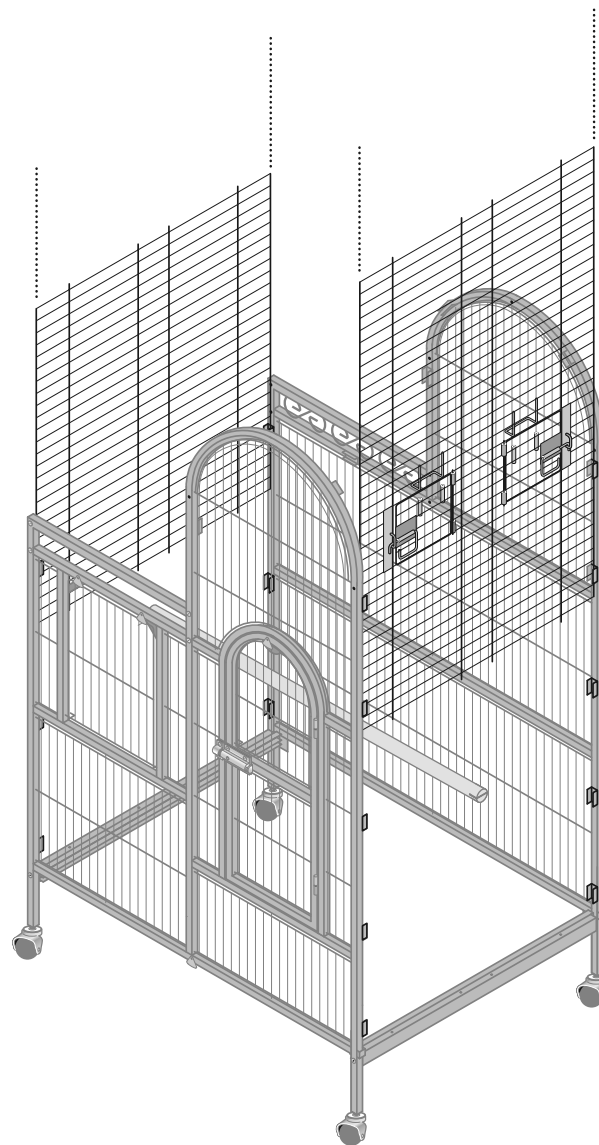
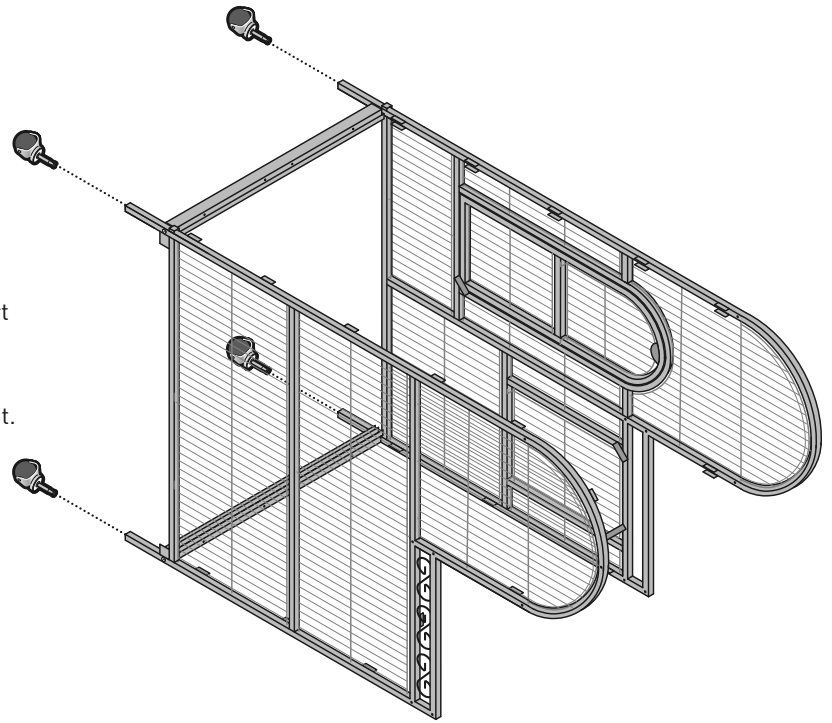


Step 1, continued →

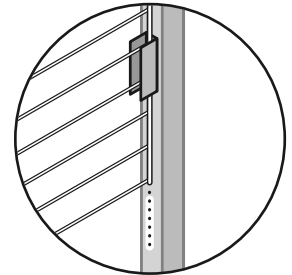
1 ... continued



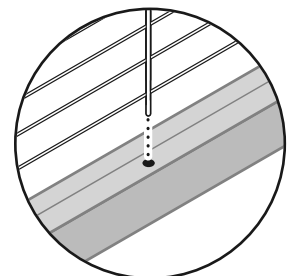
→
Carefully lay the assembled portion on its side and fully insert **casters** into each leg of the frame.
Stand the cage upright.



With help holding panels upright, slide the **left and right side panels** down through the channels. ↙



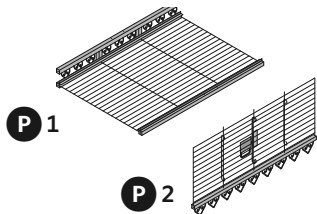
At the bottom, insert the extended wires into the holes on the frame rail. ↘



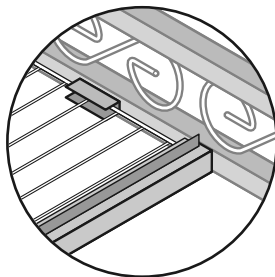
2 PIECES

[8]

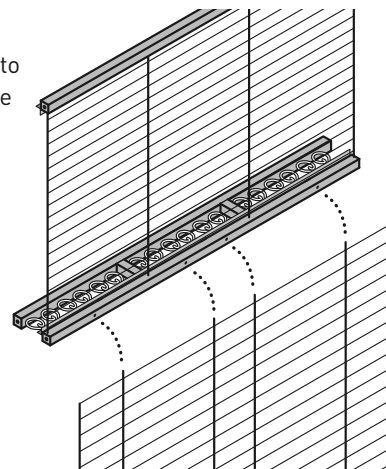
[2]



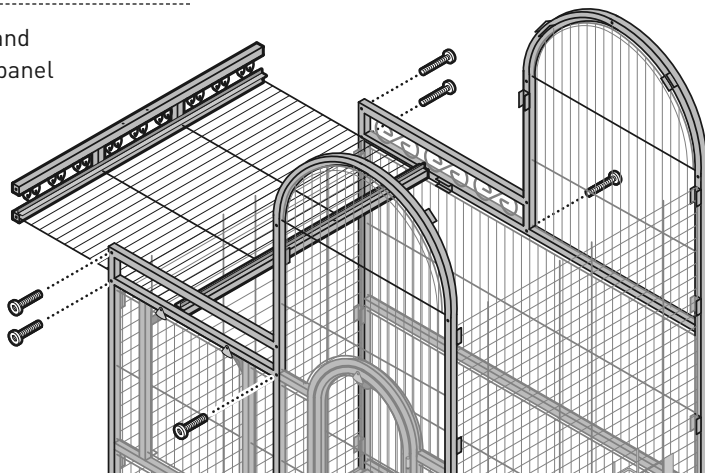
Slide the **playtop base** into place, centering the mesh in the channels on either side. ↘



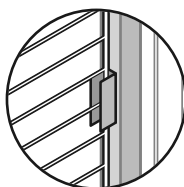
Next, insert the extended wires on the side panel into the holes on the underside of the frame. ↘



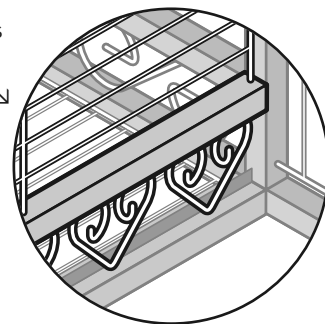
After all points along the sides and bottom are aligned, anchor the panel in place with long screws. ↘



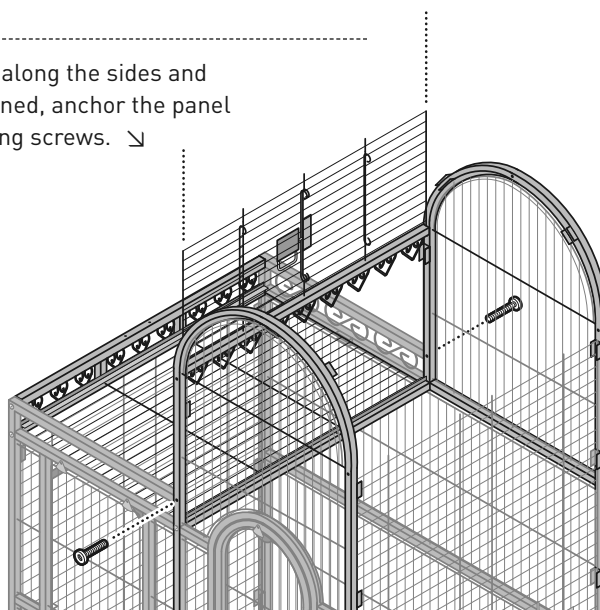
Slide the **playtop access door panel** into place, centering the mesh in the channels down either side. ↘



When the panel is positioned correctly, the decorative hearts will be on the interior-cage side of the playtop tray track. ↘



After all points along the sides and bottom are aligned, anchor the panel in place with long screws. ↘

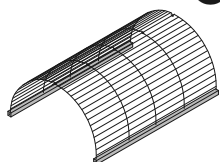


Step 2, continued →

2 ... continued



D



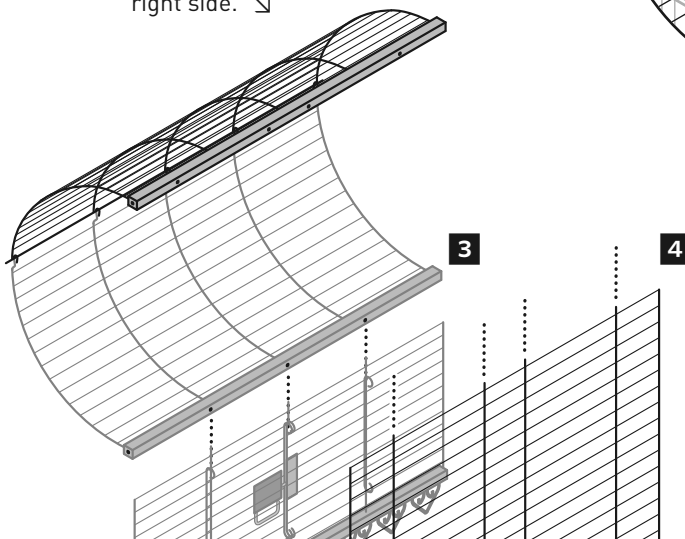
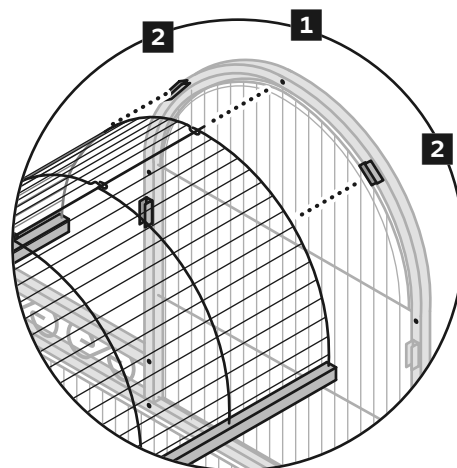
The **dome top** must be aligned at several points before it can be anchored in place.

Along the front and back of the dome top:

1 Insert the extended wire at the very top with the corresponding hole on the frame;

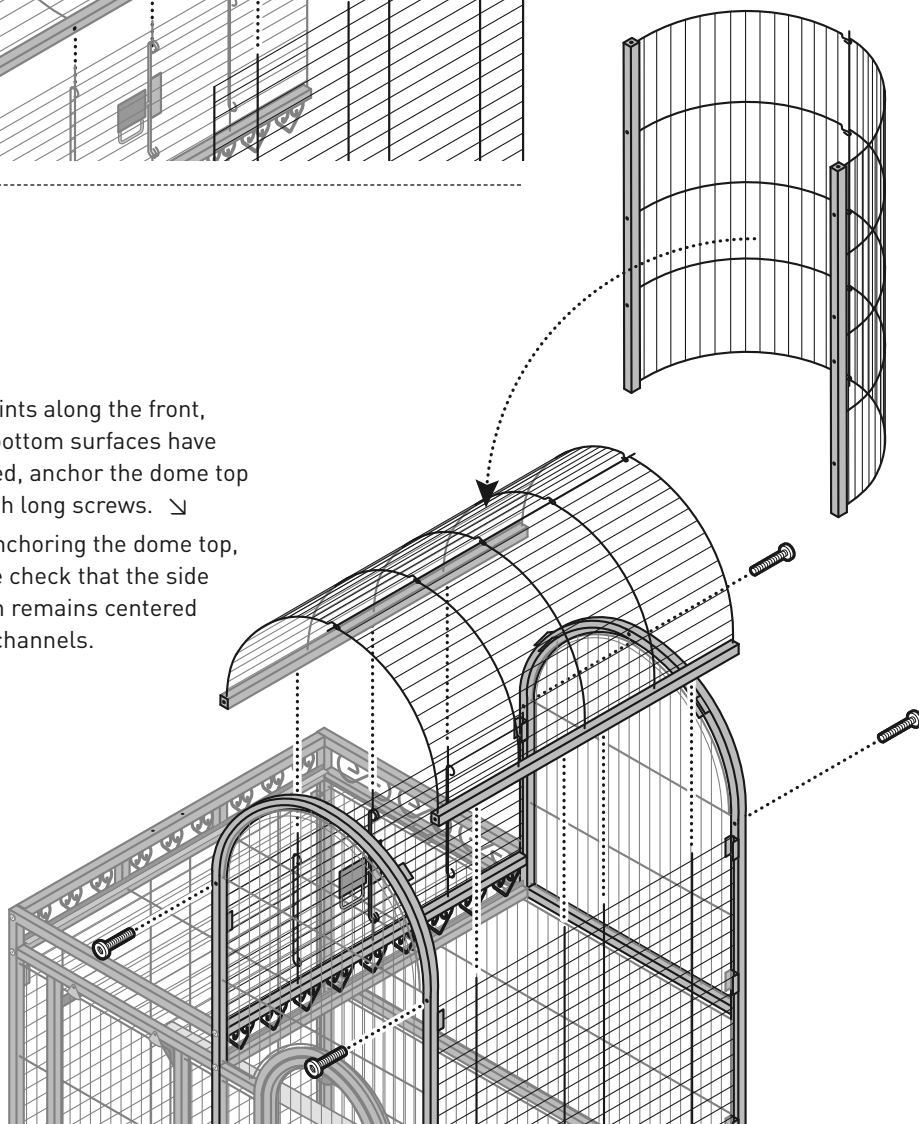
2 Center the outer edge wires within the channels. →

On the underside of the dome top rails are holes that align with extended wires on the vertical sides — **3** three holes on the left/short side; **4** four holes on the right side. ↘

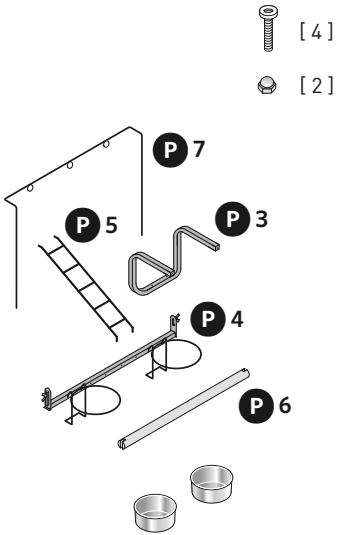


After all points along the front, back, and bottom surfaces have been aligned, anchor the dome top in place with long screws. ↘

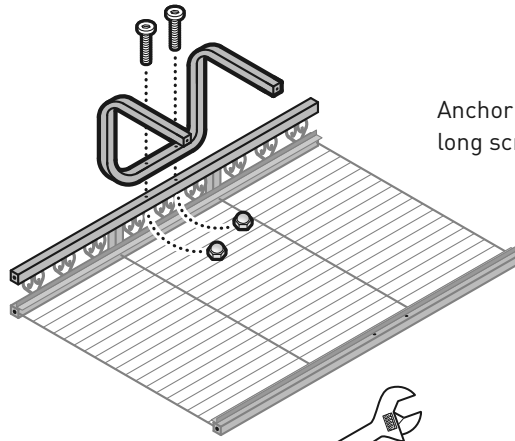
* Before anchoring the dome top, also double check that the side panel mesh remains centered within the channels. ↘



3 PIECES



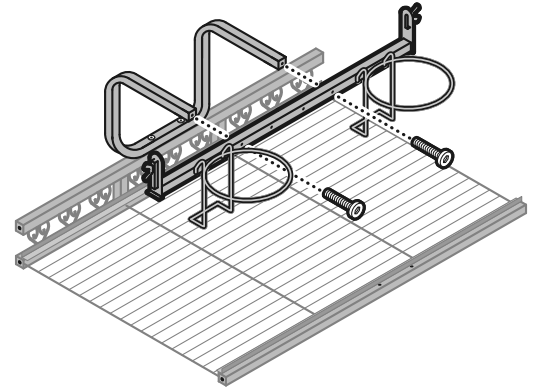
[4]
[2]



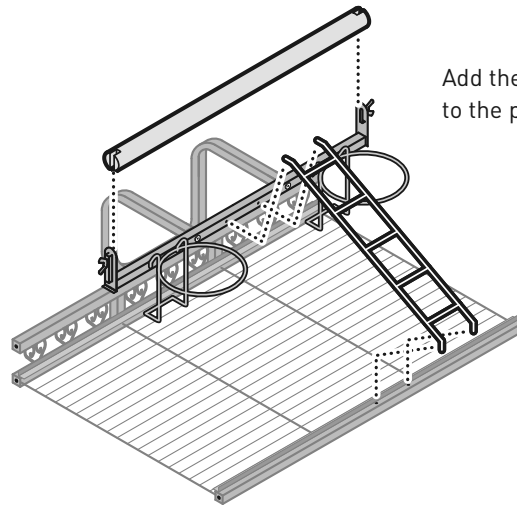
Anchor the **playtop "U" bar** in place with long screws and acorn cap nuts.



OPTIONAL



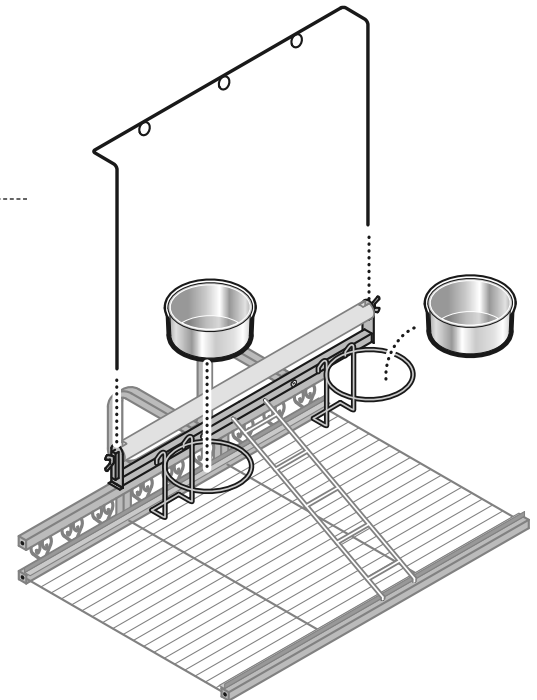
Add the **perch bar** to the "U" bar with long screws.



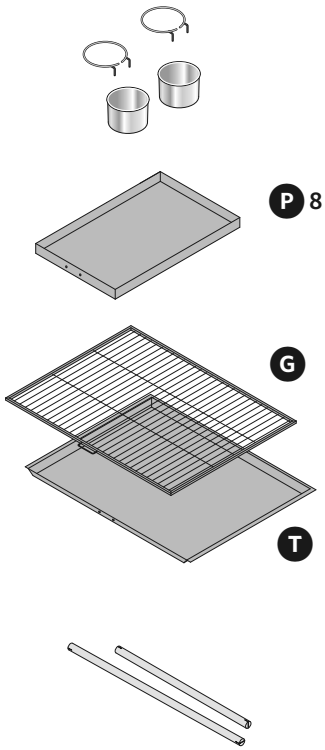
Add the **ladder** and the **short perch** to the perch bar.

Add the **playtop toy hanger** to the perch bar and lock it into place with the wing nuts. (Wing nuts may need to be loosened first, before inserting the hanger.)

Add the **short cups** into the cup hangers.



4 PIECES

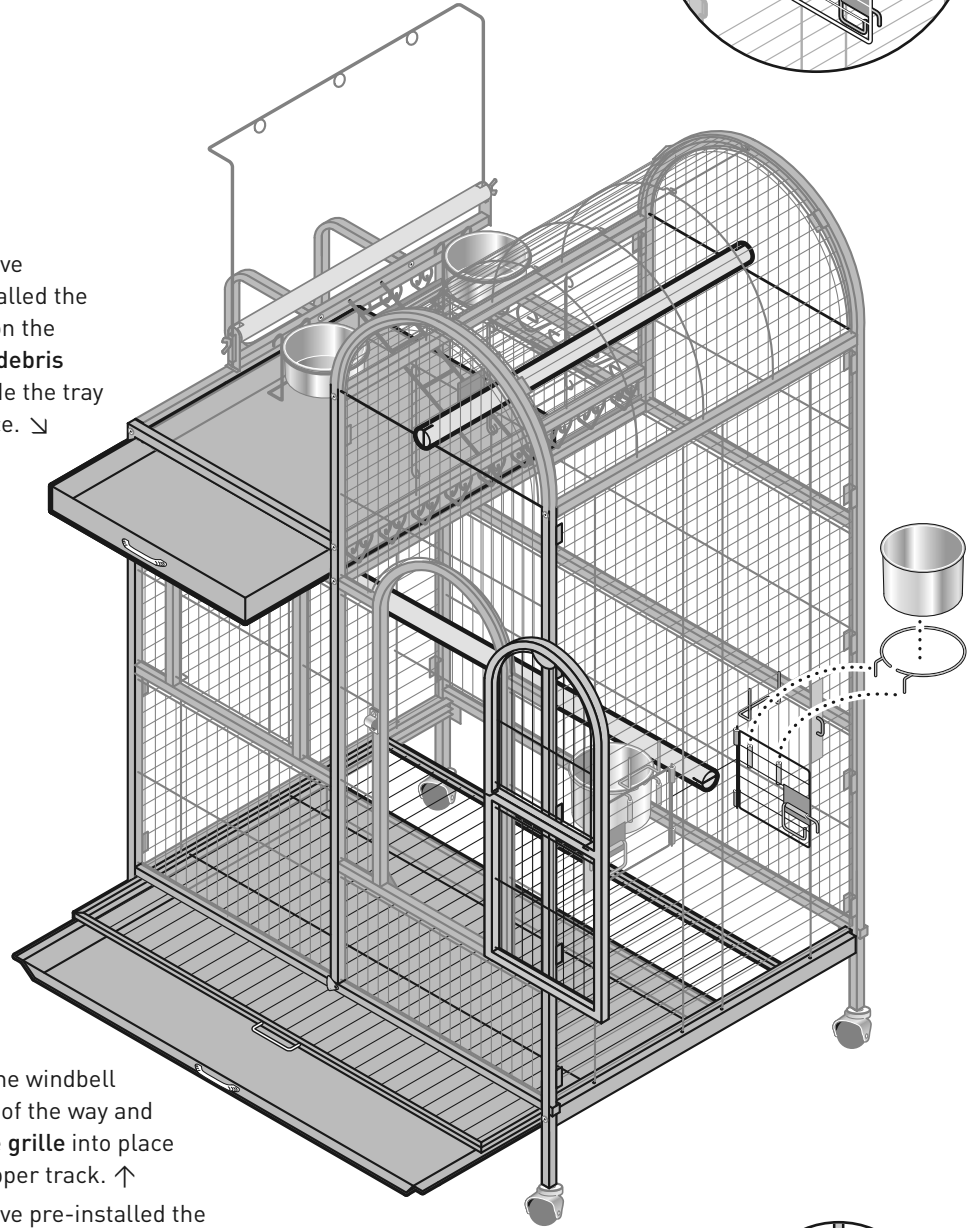
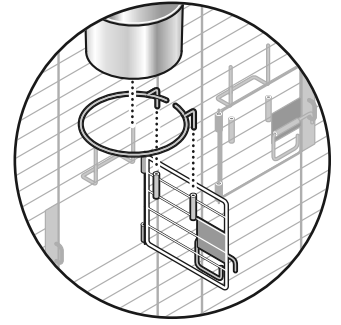


If you have pre-installed the handle on the **playtop debris tray**, slide the tray into place. ↘

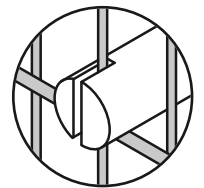
Rotate the windbell lock out of the way and slide the **grille** into place in the upper track. ↑

If you have pre-installed the handle on the **debris tray**, slide the tray into place in the lower track, under the grille. ↗

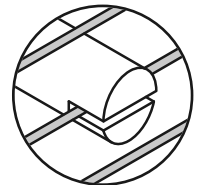
Open the cup doors.
Insert the posts of the **cup hangers** into the receptive sleeves on the doors.
Insert the **cups** into the hangers. →



Install the **medium-length perch** on a vertical wire and resting on a horizontal wire for stability. →



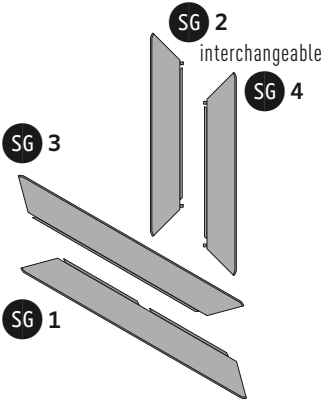
Install the **long perch** on horizontal wires at an equal height. →



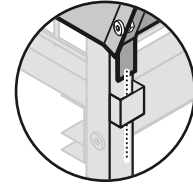
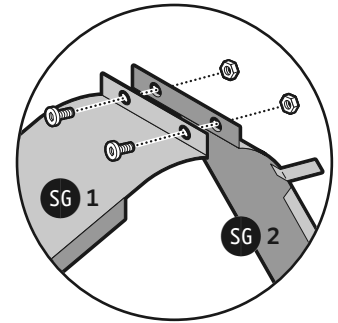
5 PIECES



[8 pair]



The front **SG 1** seed guard has a notch at the center of the bottom strip. The back guard has a continuous strip along the bottom. You may find it easier to assemble the first seed guard pair off the cage.



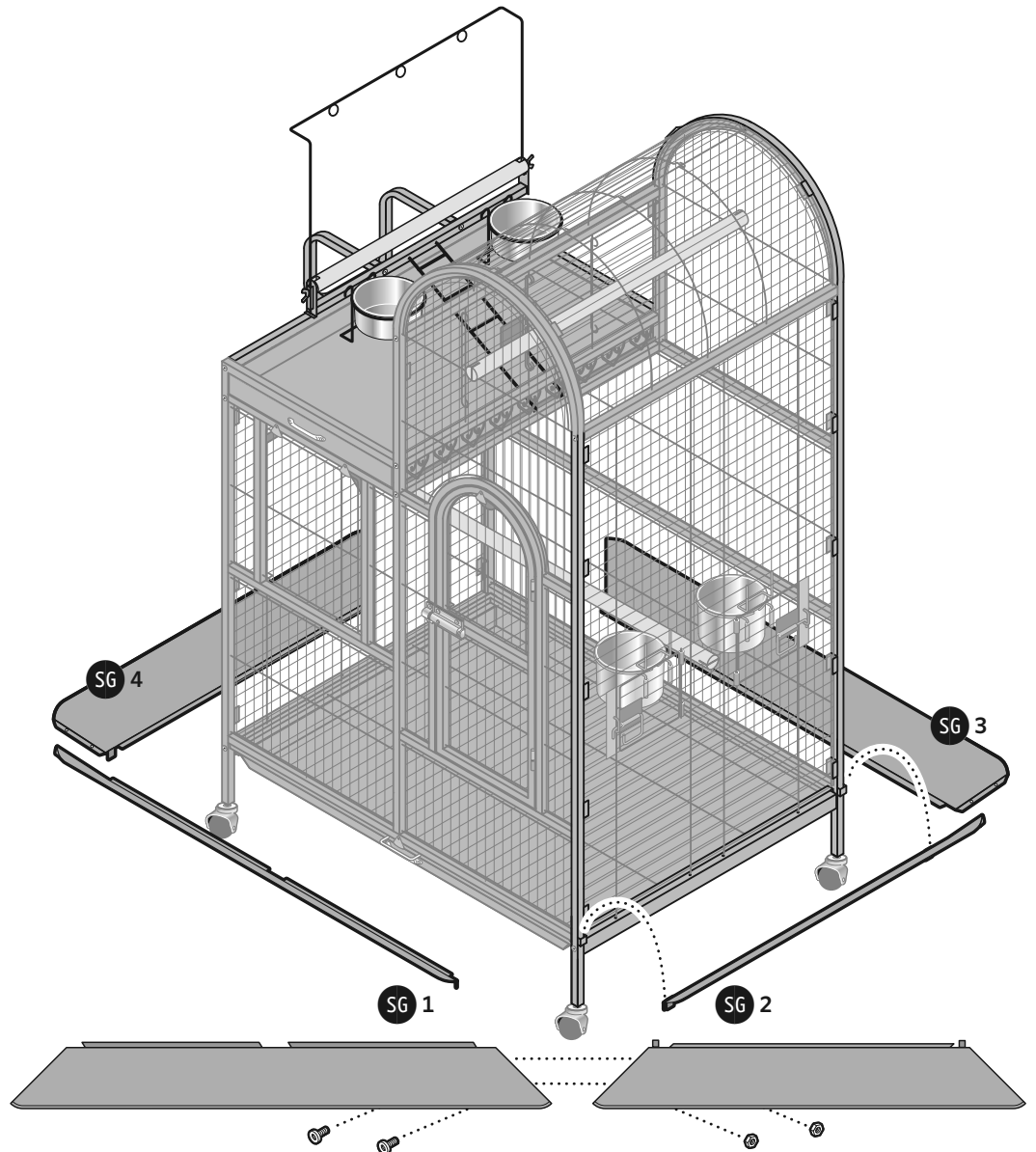
Attach the **front seed guard** and **right side seed guard** together with the short screws/acorn nuts. ↗

When assembled, insert the tabs on the side seed guard into the sleeves on the cage frame. →

For the front guard, align the notch on the front with the center frame post.

Add the opposite side seed guard and attach with the short screw/acorn nut pairs.

Finish your cage assembly with the attachment of the back seed guard.



Assembly completed. ■