

Rabbit Hutch

Covers Models: # 460 (Small) / # 461 (Large)

read first

REVIEW BEFORE ASSEMBLY

- Tools are required for assembly. See below.
- An assistant is necessary for hutch assembly.
- Assembly steps and hardware are the same for both hutch models. Parts differ in dimensions only.
- Please follow the CARE ADVISORY to maintain product longevity.

- For best results, follow steps in order.
- For assistance or replacement parts, please contact Prevue Pet Products:
- PHONE** 312.243.3624
ONLINE www.prevuepet.com
EMAIL customerservice@prevuepet.com

CARE ADVISORY

To maintain the longevity of your purchase, we recommend that you periodically treat it with a non-toxic sealant and protect it with a tarp or other covering during extended periods of inclement weather.

NOTE

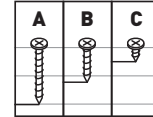
- TWO-PERSON assembly steps are indicated with this symbol.



TOOLS REQUIRED

- Phillips-head screwdriver for all screws; if a power drill is used, do not over-tighten—Prevue is not responsible for this type of damage.

HARDWARE INCLUDED

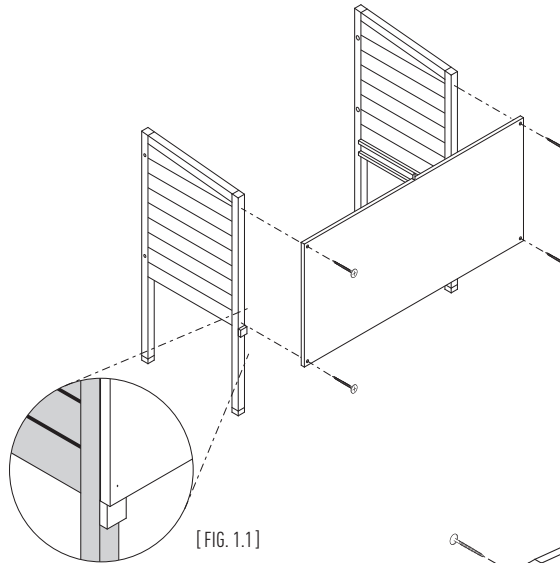
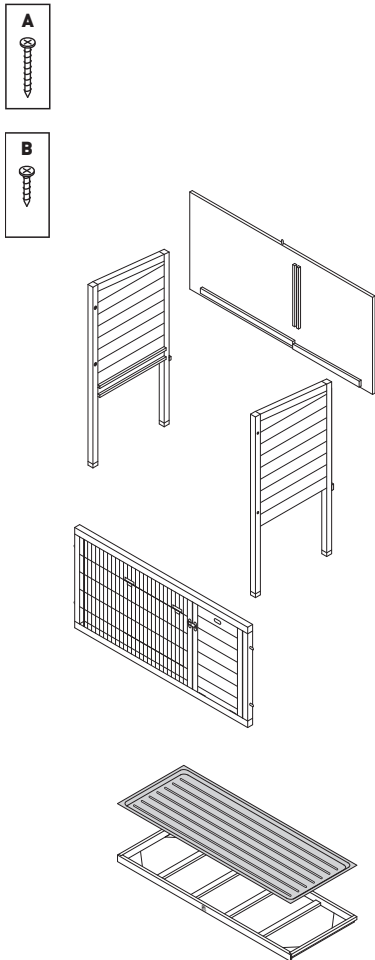


KEY TO HARDWARE SYMBOLS

- A = 2" wood screw
- B = 1 1/4" wood screw
- C = 1/2" wood screw

4 ct 6 ct 4 ct

1 To begin assembly of your HUTCH, you will need these pieces:



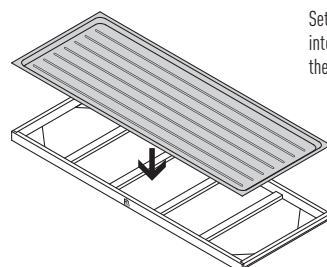
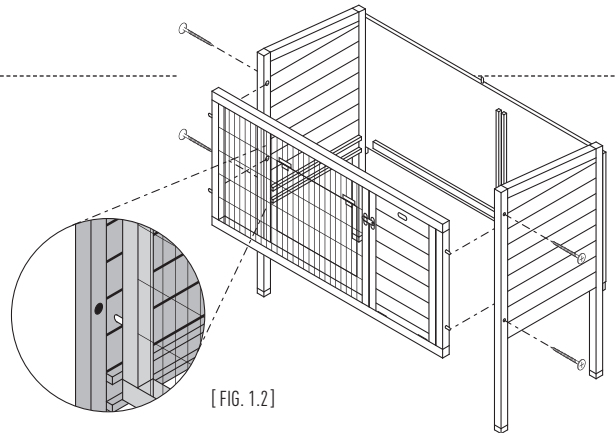
Have an assistant hold the two side panels upright. Rest the back panel on the guide blocks [see Fig. 1.1].

Attach the panels together with [B] wood screws, using the predrilled starter holes as guides.

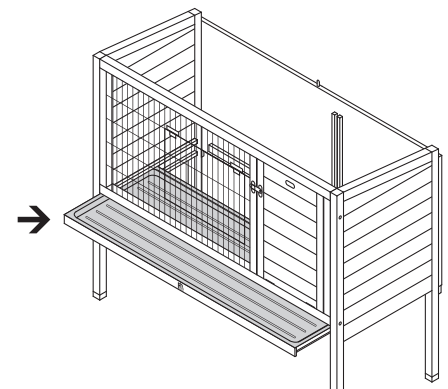


Wood pegs on the front panel will align with predrilled holes on the legs of the side panels [see Fig. 1.2].

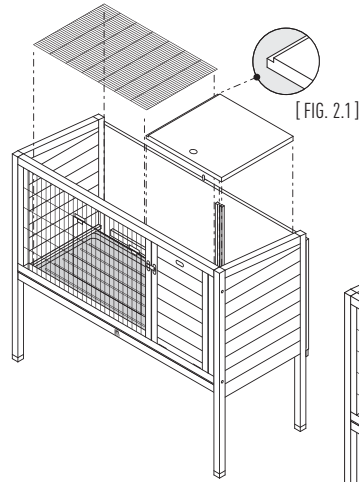
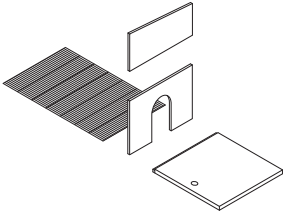
On the outside legs of the side panels, locate the predrilled countersunk screw holes. Using these holes, attach the panels together with [A] wood screws.



Set the plastic debris tray into the wood frame. Insert the entire unit into place.

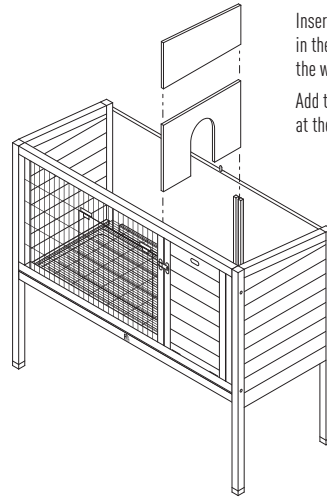


2 To assemble the interior **FLOOR** and **PARTITIONS**, you will need these pieces:



Insert the solid wood floor panel first, with stair-step notch facing up and to the left [see Fig. 2.1].

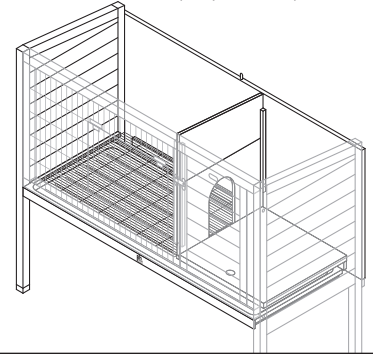
Insert the mesh floor to the left of the wood floor.



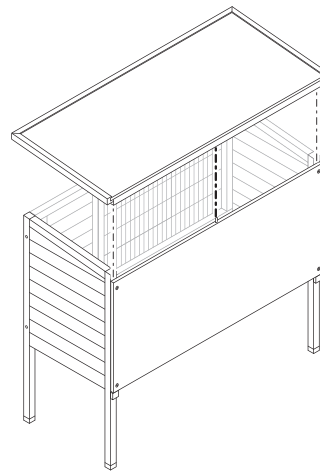
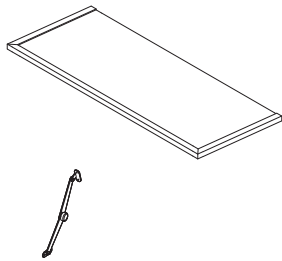
Insert the doorway panel first. Slide the panel down in the guides until it fits into the stair-step notch in the wood floor panel.

Add the upper panel next, with the taller dimension at the front of the hutch.

NOTE: Partition dividers may be removed for cleaning or left out completely for a more open interior.



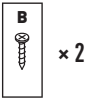
3 To install the **ROOF** and **LOCKING HINGE**, you will need these pieces:



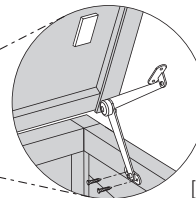
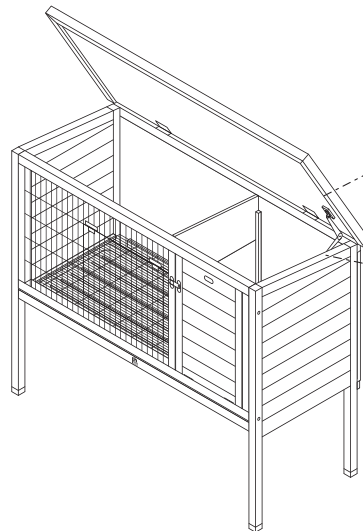
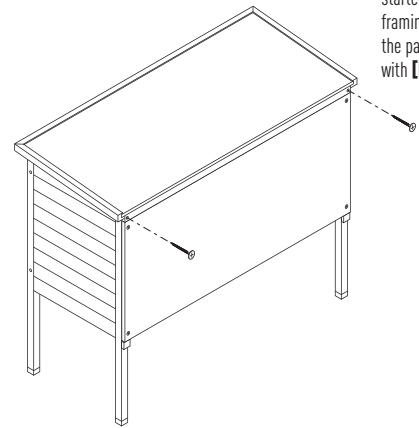
The roof has a preinstalled, hinged framing strip along the back edge. Fold this framing strip down.

The framing strip on the roof has a predrilled hole on the bottom edge. The back panel has a preinstalled wood peg along the top edge.

With assistance, align the hole with the peg to guide the roof into position.



Have an assistant hold the roof in place. Using the predrilled starter holes on the framing strip, attach the panels together with **[B]** wood screws.



To install the locking hinge, have an assistant hold the roof open.

Attach the bottom bracket first, attaching with **[C]** wood screws and using the predrilled starter holes as guides [see Fig. 3.1].

Align the top bracket with the wood rectangle glued onto the lid [see Fig. 3.2]. Attach with **[C]** wood screws, using the predrilled starter holes as guides.

